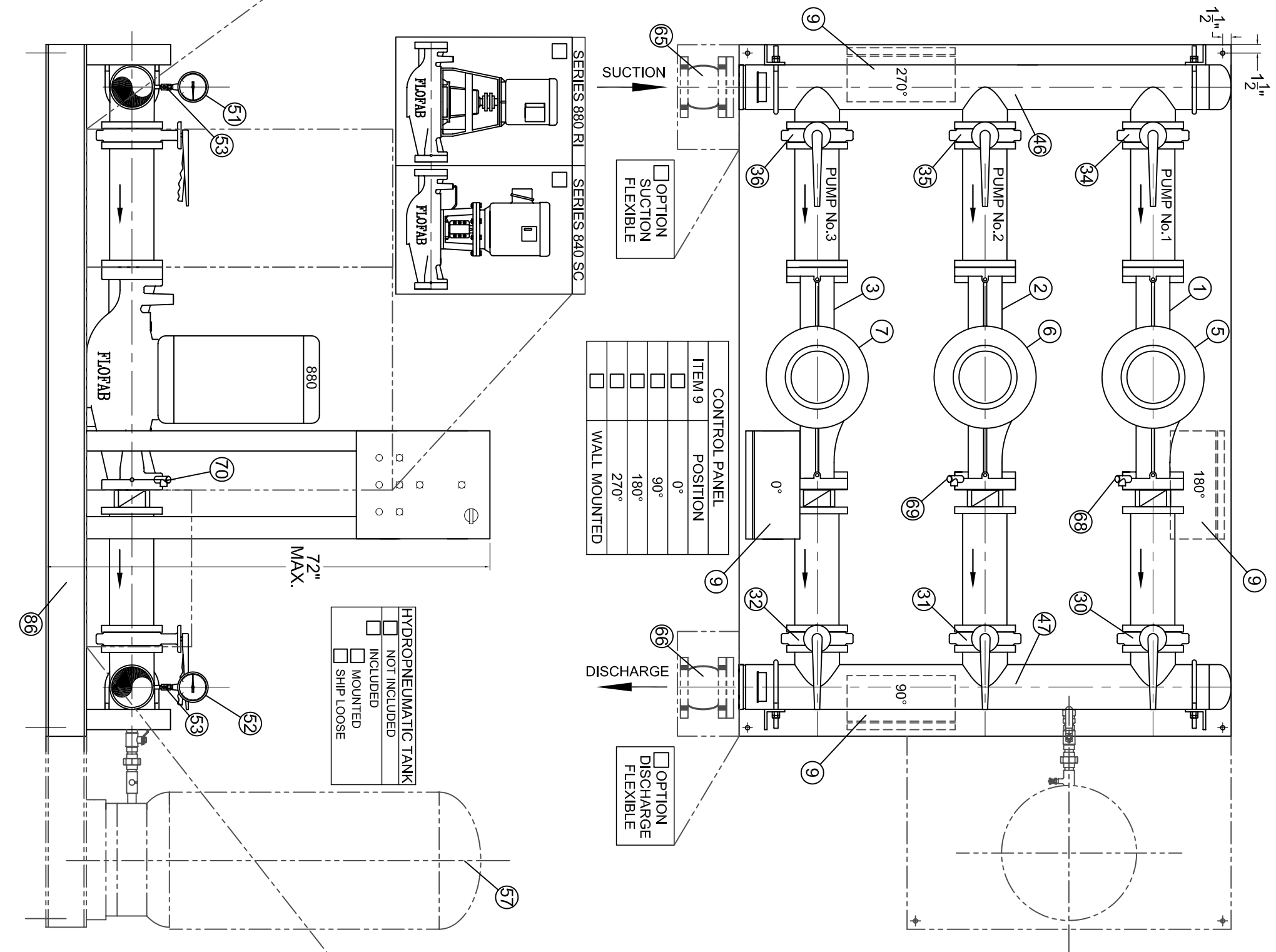


### SUCTION OPTIONS

	PUMP No.1	PUMP No.2	PUMP No.3
<input type="checkbox"/>			
<input type="checkbox"/>			
<input type="checkbox"/>			
<input type="checkbox"/>			
<input type="checkbox"/>			
<input type="checkbox"/>			

STANDARD AS SHOWN	OPTION-1	OPTION-2
IN OUT	IN OUT	IN OUT
<input type="checkbox"/>	<input type="checkbox"/>	<input type="checkbox"/>

HEADER SIZE
<input type="checkbox"/> 0-300 USGPM Ø3"
<input type="checkbox"/> 301-500 USGPM Ø4"
<input type="checkbox"/> 501-1100 USGPM Ø6"



ITEM 9	CONTROL PANEL POSITION
<input type="checkbox"/>	0°
<input type="checkbox"/>	90°
<input type="checkbox"/>	180°
<input type="checkbox"/>	270°
<input type="checkbox"/>	WALL MOUNTED

HYDRO-PNEUMATIC TANK
<input type="checkbox"/> NOT INCLUDED
<input type="checkbox"/> INCLUDED
<input type="checkbox"/> MOUNTED
<input type="checkbox"/> SHIP LOOSE

### DISCHARGE OPTIONS

	PUMP No.1	PUMP No.2	PUMP No.3
<input type="checkbox"/>			
<input type="checkbox"/>			
<input type="checkbox"/>			
<input type="checkbox"/>			
<input type="checkbox"/>			
<input type="checkbox"/>			

<input type="checkbox"/> T-CPS-_____
<input type="checkbox"/> T-CPS-HT-_____

**FLO FAB**  
AQUA PROFAB

880 BOLLIVARD INDUSTRIEL  
BOIS-DES-FLIONS, QC  
J6Z 2V7, (450) 621-2985

ENGINEER / INGÉNIEUR  
CUSTOMER / CLIENT

PART LIST N° / LISTE DE MATIÈRES N°

DATE / DATE

APRIL 2007

DRAWING N° / N° DESSIN

T-CPS-880\_880 RI\_840 SC\_SUBMITTAL

SCALE / ÉCHELLE

N / A

REV

0

NO	QTY	DESCRIPTION	SIZE	PART NUMBER
1	1	PUMP 1		
2	1	PUMP 2		
3	1	PUMP 3		
5	1	M1 MOTOR		
6	1	M2 MOTOR		
7	1	M3 MOTOR		
9	1	PANEL CONTROL		
10		NO. 1 PRESSURE REDUCING VALVE (W/ C V)		
10A		NO. 1 PRESSURE REDUCING VALVE (W/O C V)		
11		NO. 2 PRESSURE REDUCING VALVE (W/ C V)		
11A		NO. 2 PRESSURE REDUCING VALVE (W/O C V)		
12		NO. 3 PRESSURE REDUCING VALVE (W/ C V)		
12A		NO. 3 PRESSURE REDUCING VALVE (W/O C V)		
14		NO. 1 TRIPLE DUTY VALVE		
15		NO. 2 TRIPLE DUTY VALVE		
16		NO. 3 TRIPLE DUTY VALVE		
18		NO. 1 SUCTION DIFFUSER (WITH STRAINER)		
19		NO. 2 SUCTION DIFFUSER (WITH STRAINER)		
20		NO. 3 SUCTION DIFFUSER (WITH STRAINER)		
22		NO. 1 Y-STRAINER		
23		NO. 2 Y-STRAINER		
24		NO. 3 Y-STRAINER		
30		NO. 1 DISCHARGE BUTTERFLY VALVE		
31		NO. 2 DISCHARGE BUTTERFLY VALVE		
32		NO. 3 DISCHARGE BUTTERFLY VALVE		

<input type="checkbox"/>	T-CPS-_____
<input type="checkbox"/>	T-CPS-HT-_____


TITLE / TITRE <b>FLO FAB - TRIPLEX "CPS" SERIES 800_880 RI_840 SC</b> <b>MATERIAL LIST</b>			
	PROJECT / PROJET		
	CUSTOMER / CLIENT		
860 BOULEVARD INDUSTRIEL BOIS-DES-FILION, QC J6Z 4V7, (450) 621-2995	DRAWING N° / N° DESSIN	DATE / DATE	
		MAY 2007	
DRAWN BY / DESSINATEUR	SCALE / ECHELLE	PART LIST N° / LISTE DE MATERIEL N°	REV
M. LYMBURNER	N / A		0

REV	DESCRIPTION	DATE	INIT.

NO	QTY	DESCRIPTION	SIZE	PART NUMBER
34		NO. 1 SUCTION BUTTERFLY VALVE		
35		NO. 2 SUCTION BUTTERFLY VALVE		
36		NO. 3 SUCTION BUTTERFLY VALVE		
38		NO. 1 DISCHARGE CHECK VALVE		
39		NO. 2 DISCHARGE CHECK VALVE		
40		NO. 3 DISCHARGE CHECK VALVE		
46	1	SUCTION HEADER SIZE AND MATERIAL		
47	1	DISCHARGE HEADER SIZE AND MATERIAL		
51	1	SUCTION PRESSURE GAUGE		
52	1	DISCHARGE PRESSURE GAUGE		
53	2	PET COCKS		
57		DISCHARGE EXPANSION TANK (CPS SYSTEM)		
65		SUCTION FLEXIBLE		
66		DISCHARGE FLEXIBLE		
68	1	P1 TEMPERATURE RELIEF CONTROL VALVE		
69	1	P2 TEMPERATURE RELIEF CONTROL VALVE		
70	1	P3 TEMPERATURE RELIEF CONTROL VALVE		
86	1	STEEL FABRICATED BASEPLATE		

<input type="checkbox"/>	T-CPS-_____
<input type="checkbox"/>	T-CPS-HT-_____

TITLE / TITRE  
**FLO FAB - TRIPLEX "CPS" SERIES 880\_880 RI\_840 SC  
MATERIAL LIST**

 <b>FLO FAB</b> <b>AQUA PROFAB</b> 880 BOULEVARD INDUSTRIEL BOIS-DES-FILION, QC J6Z 4V7, (450) 621-2995	PROJECT / PROJET	
	CUSTOMER / CLIENT	
	DRAWING N° / N° DESSIN	DATE / DATE
		MAY 2007

REV	DESCRIPTION	DATE	INIT.	DRAWN BY / DESSINATEUR	SCALE / ÉCHELLE	PART LIST N° / LISTE DE MATERIEL N°	REV
				M. LYMBURNER	N / A		0