



Submersible Pumps

Drainage Pump - LB

Vortex Pump - LBV

Sewage Non-Clog Pump - LBK

Sewage Cutter Pump - LBC

Vortex Pump - FBV

Sewage Non-Clog Pump - FBK

Sewage Cutter Pump - FBC

Dewatering Pump - FS

**Double Casting
Dewatering Pump - FSS**

**Stainless Steel
Sewage Pump - AS**

Grinder Pump - FGC

**Heavy Duty
Sewage Pump - BV**



www.flofab.com

001-cat-2016-subm

Go to www.flofab.com in Our Products Section to see the Master Spec - <http://www.arcomnet.com/masterspec/>



HISTORY

Founder 1981



Flo Fab was established in 1981 by Denis Gauvreau who created and developed the products line and constantly being perfected by Marc Gauvreau, as well as by a team of professional engineers and designers. It's a combination of existing designs from several renowned products and the innovative ideas of a new generation professionals.

Through the years, Flo Fab has acquired several companies and service entities including : AQUA-PROFAB (ASME Tanks manufacturer), MÉNARD, LÉONARD ÉLECTRIQUE, PMA. , Furthermore Flo Fab purchased equipment, fabrication designs and patterns from IDEALCO, a manufacturer of shell and tube type heat exchangers.

The after sales services, sales, engineering, R&D, production, quality control, accounting and administration departments of all the above companies share the same location.

In December 2014, Marc Gauvreau, son of the founder, acquired all shares of The company. Flo Fab and is constantly investing in new state of the art innovations new product like the XRI series and Prefab Skid for Hydronic Heating & cooling system, pumping systems. This has allowed Flo Fab to retain competent and experienced staff of professionals with varied and specialized abilities that constantly work on improving our existing products and add new engineered solutions that exceeding customer's expectations .

Flo Fab has grown quite rapidly and now proudly offers of a wide range of products available directly from one manufacturer. This includes pumps & pump packages, tanks, heat exchangers & hydronic accessories. This allows each project stakeholders to enjoy economical savings, peace of mind, best value for their investment and optimized total cost of ownership.



Go to www.flofab.com in Our Products Section to see the Master Spec - <http://www.arcomnet.com/masterspec/>

TABLE OF CONTENTS

FLO FAB'S HISTORY	2
DETERMINATION OF THE REQUIRED SYSTEM CAPACITY	4
HOW TO SELECT A PUMP MODEL	5
DIFFERENT MODELS	6
EFFLUENT PUMP DRAINAGE PUMP // LB SERIES	7-10
SEWAGE AND EFFLUENT PUMP VORTEX PUMP // LBV SERIES	11-18
SEWAGE AND EFFLUENT PUMP SEWAGE NON-CLOG PUMP LBK/LBC SERIES	19-24
SEWAGE AND EFFLUENT PUMP VORTEX PUMP // FBV SERIES	25-29
SEWAGE AND EFFLUENT PUMP SEWAGE NON-CLOG PUMP FBK/FBC SERIES	30-33
EFFLUENT PUMP DEWATERING PUMP // FS SERIES SECTION 1.....	34-37
SECTION 2.....	38-40
SECTION 3.....	41-43
SECTION 4.....	44-47
SECTION 5.....	48-51
EFFLUENT PUMP DOUBLE CASTING DEWATERING PUMP FSS SERIES	52-54
SEWAGE AND EFFLUENT PUMP STAINLESS STEEL SEWAGE PUMP AS SERIES	55-59
GRINDER PUMP GRINDER PUMP // FGC SERIES	60-63
SEWAGE AND EFFLUENT PUMP HEAVY DUTY SEWAGE PUMP BV SERIES	64-68

ACCESSORIES	
- CONTROL PANEL	
- TANK FLOAT ALERT	
- MECHANICAL FLOAT SWITCH	
- GENERAL ARRANGEMENT FOR PUMP	69
- POLYETHYLENE BASIN	
- STEEL BASIN COVERS	
- CHECK VALVE	70
SLIDE AWAY COUPLING DRAWINGS LBV 25/40/75 c/w 2"	71
SLIDE AWAY COUPLING DRAWINGS FBV 3" & 4"	72
SLIDE AWAY COUPLING DRAWINGS FS 3" & 4"	73
18" FIBERGLASS BASINS	74
24" FIBERGLASS BASINS	75
30" FIBERGLASS BASINS	76
36" FIBERGLASS BASINS	77
42" FIBERGLASS BASINS	78
48" FIBERGLASS BASINS	79
60" FIBERGLASS BASINS	80
SIMPLEX METAL COVERS	81-83
24" DUPLEX METAL COVERS	84
30" FIBERGLASS DUPLEX COVERS	85
DUPLEX METAL COVERS	86
SIMPLEX SUBMERSIBLE	87, 89, 91
SIMPLEX SUBMERSIBLE W/ SLIDE RAIL COUPLING	88, 90, 92
DUPLEX SUBMERSIBLE	93
DUPLEX SUBMERSIBLE W/ SLIDE RAIL COUPLING	94-97
STANDARD FOR SIMPLEX SUBMERSIBLE PANELS	98-102
STANDARD FOR DUPLEX SUBMERSIBLE PANELS	103-108



Determination of the required System Capacity

FIGURE 1

Description	Unit Value	Total Used
Bathroom Group, Consisting of Lavatory, Bathtub or Shower and (Direct Flush) Water Closet	10	
Bathroom Group, Consisting of Lavatory, Bathtub or Shower and (Flush Tank) Water Closet	6	
Bathtub with 1 1/2" Trap	2	
Bathtub with 2" Trap	3	
Bidet with 1 1/2" Trap	3	
Dental unit or Cuspidor	1	
Drinking Fountain	1	
Dishwasher (Domestic Type)	2	
Kitchen Sink (Domestic)	2	
Kitchen Sink (Domestic) with Waste	3	
Grinder	3	
Lavatory with 1 1/2" Trap	1	
Lavatory Barber or Beauty Shop	2	
Laundry Tray (2 compartments)	2	
Shower Stall	2	
Shower Group per head	3	
Sink (Direct Flush Valve)	7	
Sink (Service Type with Floor Drain)	3	
Sink (Scullery)	4	
Sink (Surgeons)	3	
Urinal (with Flush Valve)	8	
Urinal (with Flush Tank)	4	
Water Closet (Flush Valve)	7	
Water Closet (Flush Tank)	3	
Swimming Pools (per 1000 Gal.)	1	
Unlisted Fixture with 1 1/4" Trap	2	
Unlisted Fixture with 1 1/4" Trap	3	
Unlisted Fixture with 2" Trap	4	
Unlisted Fixture with 2 1/2" Trap	5	
Unlisted Fixture with 3" Trap	6	
Unlisted Fixture with 4" Trap	7	
Water Softener (Domestic)	4	
Washing Machine	2	
	TOTAL	

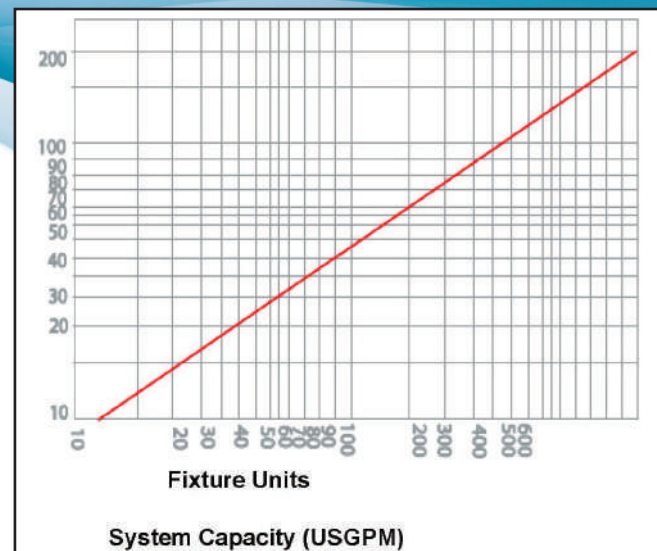
SYSTEM CAPACITY

The System Capacity refers to the rate of flow in US Gallons Per Minute (US-GPM) necessary to efficiently maintain the system. The «Fixture Unit» (figure 1) method is suggested for determining this figure. This approach assigns a relative value to each fixture or group of fixtures normally encountered. Determination of the required System Capacity is as follows:

1) List all fixtures involved in the installation and using Figure 1 assign a Fixture Unit value to each. Add to obtain the total.

2) Referring to Figure 2 locate the total Fixture Unit amount along the horizontal axis of the graph and follow vertically until intersecting the plotted line. Read the System Capacity in US-GPM along the vertical axis.

FIGURE 2





SUBMERSIBLE PUMPS

● How to Select a Pump Model

1) FROM FIGURE 1

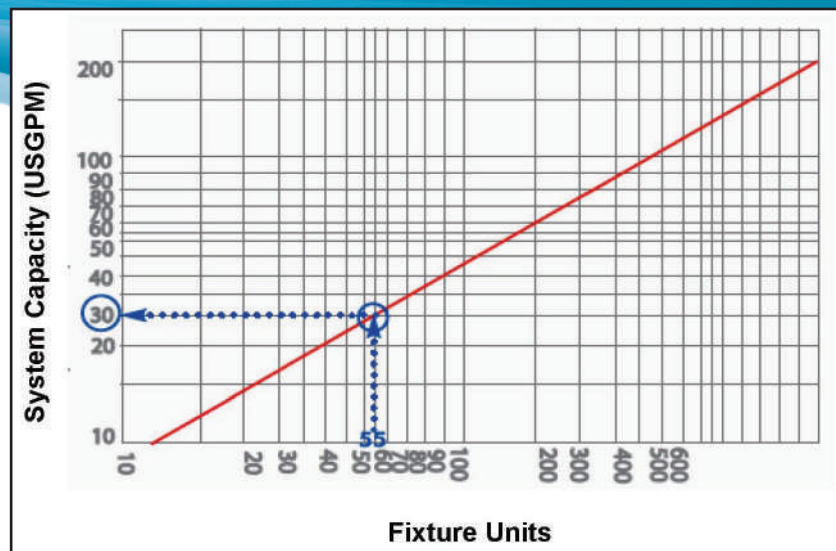
Description	Unit Value	Total Used
Bathroom Group, Consisting of Lavatory, Bathtub or Shower and(Flush Tank)	6	24
Dishwasher (Domestic Type)	2	2
Kitchen Sink (Domestic)	2	2
Laundry Tray (2 compartments)	2	2
Shower Tall	2	2
Swimming Pools (per 1000 Gal)	1	13
Bar Sink (Unlisted with 1 1/2" T)	3	3
Water Softener (Domestic)	4	4
Washing Machine	2	2
Total		55

EXAMPLE

What Pump Capacity would be required to handle the drainage from a 4 bathroom home, also including a dishwasher, a washer, a laundry tray, a kitchen sink, a water softener, a basement shower, a 13 000 gallon pool and a bar sink with a 1 1/2" Trap?

2) REFER TO FIGURE 2

Find 55 Fixture Units On the horizontal axis. Follow Vertically until intersecting the plotted line then horizontally to the left. The Pump Capacity on the vertical axis is 30 USGPM.



• Different Models

MODELS	PICTURES	DESCRIPTION	MODELS	PICTURES	DESCRIPTION	MODELS	PICTURES	DESCRIPTION						
LB		EFFLUENT PUMP	FS		EFFLUENT PUMP	AS		SEWAGE AND EFFLUENT PUMP						
25			250			203								
40			400			206								
75		750	-											
215		1500	-											
315		475N	DEWATERING	208		SEWAGE AND EFFLUENT PUMP								
LBV		SEWAGE AND EFFLUENT PUMP	675N				EFFLUENT PUMP	215		GRINDEP PUMP				
25			-					-						
40			-					-						
75			-					-						
215			215		EFFLUENT PUMP	222					DEWATERING	15		HEAVY DUTY SEWAGE PUMP
215H			237			22								
315			315			37								
315-1			322			55								
322			337			BV								
337			355			153								
437	437	204												
LBK/LBC		SEWAGE AND EFFLUENT PUMP	455			EFFLUENT PUMP	208			HEAVY DUTY SEWAGE PUMP				
75			475				308							
215			675				315							
315			4110		322									
322			6110		337									
337			4150		455									
337	475	-												
437	6150													
FBV		SEWAGE AND EFFLUENT PUMP	4220		EFFLUENT PUMP	315		HEAVY DUTY SEWAGE PUMP						
322			6220			322								
337			8220			337								
437		FSS	EFFLUENT			250				DOUBLE CASING DEWATERING PUMP				
455		250				400								
475		400				750								
FBC/FBK		SEWAGE CUTTER PUMP AND SEWAGE NON-CLOG PUMP												
322														
337														
437														

- Voltage:
1 phase - 115 volts, 3 phase - 575 volts
 - 2", 3" & 4" (50, 80 & 100 mm) guide rail pedestals are available upon request
 - Auto float switch for water level control is available for single phase pumps up to 1.5 kw (2 Hp) upon request
- ** Please note that all specifications, dimensions and/or designs of pumps of this brochure,

Other size available upon request.



EFFLUENT PUMPS

● Drainage Pump **LB Series**

LB-25 / LB-40 / LB-75 / LB-215 / LB-315

LB Series – drainage pumps with rigid casting construction for various effluent pumping applications.

- LB-25 Drainage Pump
- LB-40
- LB-75
- LB-215 / LB-315



- Outlet – 40 mm (1-1/4 in.), 50 mm (2 in.), and 80 mm (3 in.).
- Cast iron construction – superior heat dissipation.
- Heat treated 410 stainless steel shaft.
- Double mechanical seals (Carbon-Ceramic + Carbon-Ceramic) in oil chamber.
- Dynamically balanced cast iron impeller.
- Oil-free motor, 1 & 3 phase, with built-in thermal protector.
- Max. liquid temperature: 40°C (104°F).
- Standard cable: 6 m (20 ft.) or longer upon request.
- Tethered float switch is available: LB-25A,...,LB-315A(T)

✓	
	Simplex
	Duplex
	Triplex

✓	OPTIONAL EQUIPMENT
	Additional cable
	Slide away coupling
	Impeller trims
	High temp winding and seal liquids 190°F/ 88°C

Go to www.flofab.com in Our Products Section to see the Master Spec - <http://www.arcomnet.com/masterspec/>



EFFLUENT PUMPS

● Technical Data **LB Series**

✓	Model	Outlet		Elec. MOTOR			Voltage/ Phase /HZ	Solid Passage		Weight	
				Hp	Amp.			mm	in	Kgs	Lbs
		mm	in		Start	Run					
	LB25-1-115-60	40	1 1/2	1/3	11	3.3	115/1/60	4.5	0.2	11	24.2
	LB25-1-208-60	40	1 1/2	1/3	5	1.5	208/1/60	4.5	0.2	11	24.2
	LB25-1-230-60	40	1 1/2	1/3	5	1.7	230/1/60	4.5	0.2	11	24.2
	LB40-1-115-60	50	2	1/2	13	5.0	115/1/60	4.5	0.2	12.5	27.5
	LB40-1-208-60	50	2	1/2	5	2.64	208/1/60	4.5	0.2	12.5	27.5
	LB40-1-230-60	50	2	1/2	5	2.5	230/1/60	4.5	0.2	12.5	27.5
	LB40-3-208-60	50	2	1/2	7.6	1.6	208/3/60	4.5	0.2	12.5	27.5
	LB40-3-230-60	50	2	1/2	7.5	1.4	230/3/60	4.5	0.2	12.5	27.5
	LB40-3-460-60	50	2	1/2	3.5	0.70	460/3/60	4.5	0.2	12.5	27.5
	LB40-3-575-60	50	2	1/2	2	0.6	575/3/60	4.5	0.2	12.5	27.5
	LB75-1-115-60	50	2	1/2	30	10	115/1/60	5.5	0.2	19	41.8
	LB75-1-208-60	50	2	1/2	-	5.28	208/1/60	5.5	0.2	19	41.8
	LB75-1-230-60	50	2	1/2	-	5	230/1/60	5.5	0.2	19	41.8
	LB75-3-208-60	50	2	1/2	15.8	3.2	208/3/60	5.5	0.2	19	41.8
	LB75-3-230-60	50	2	1/2	15	2.9	230/3/60	5.5	0.2	19	41.8
	LB75-3-460-60	50	2	1/2	7	1.4	460/3/60	5.5	0.2	19	41.8
	LB75-3-575-60	50	2	1/2	4	1.1	575/3/60	5.5	0.2	19	41.8
	LB215-1-208-60	50	2	1	36	10.57	208/1/60	7	0.3	24.5	53.9
	LB215-1-230-60	50	2	1	-	10	230/1/60	7	0.3	24.5	53.9
	LB215-3-208-60	50	2	1	24	6.3	208/3/60	7	0.3	24.5	53.9
	LB215-3-230-60	50	2	1	22.5	5.7	230/3/60	7	0.3	24.5	53.9
	LB215-3-460-60	50	2	1	12.1	2.9	460/3/60	7	0.3	24.5	53.9
	LB215-3-575-60	50	2	1	9	2.3	575/3/60	7	0.3	24.5	53.9
	LB315-1-208-60	80	3	1	-	10.57	208/1/60	7	0.3	24.5	53.9
	LB315-1-230-60	80	3	1	-	10	230/1/60	7	0.3	24.5	53.9
	LB315-3-208-60	80	3	1	24	6.3	208/3/60	7	0.3	24.5	53.9
	LB315-3-230-60	80	3	1	22.5	5.7	230/3/60	7	0.3	24.5	53.9
	LB315-3-460-60	80	3	1	12.1	2.9	460/3/60	7	0.3	24.5	53.9
	LB315-3-575-60	80	3	1	9	2.3	575/3/60	7	0.3	24.5	53.9

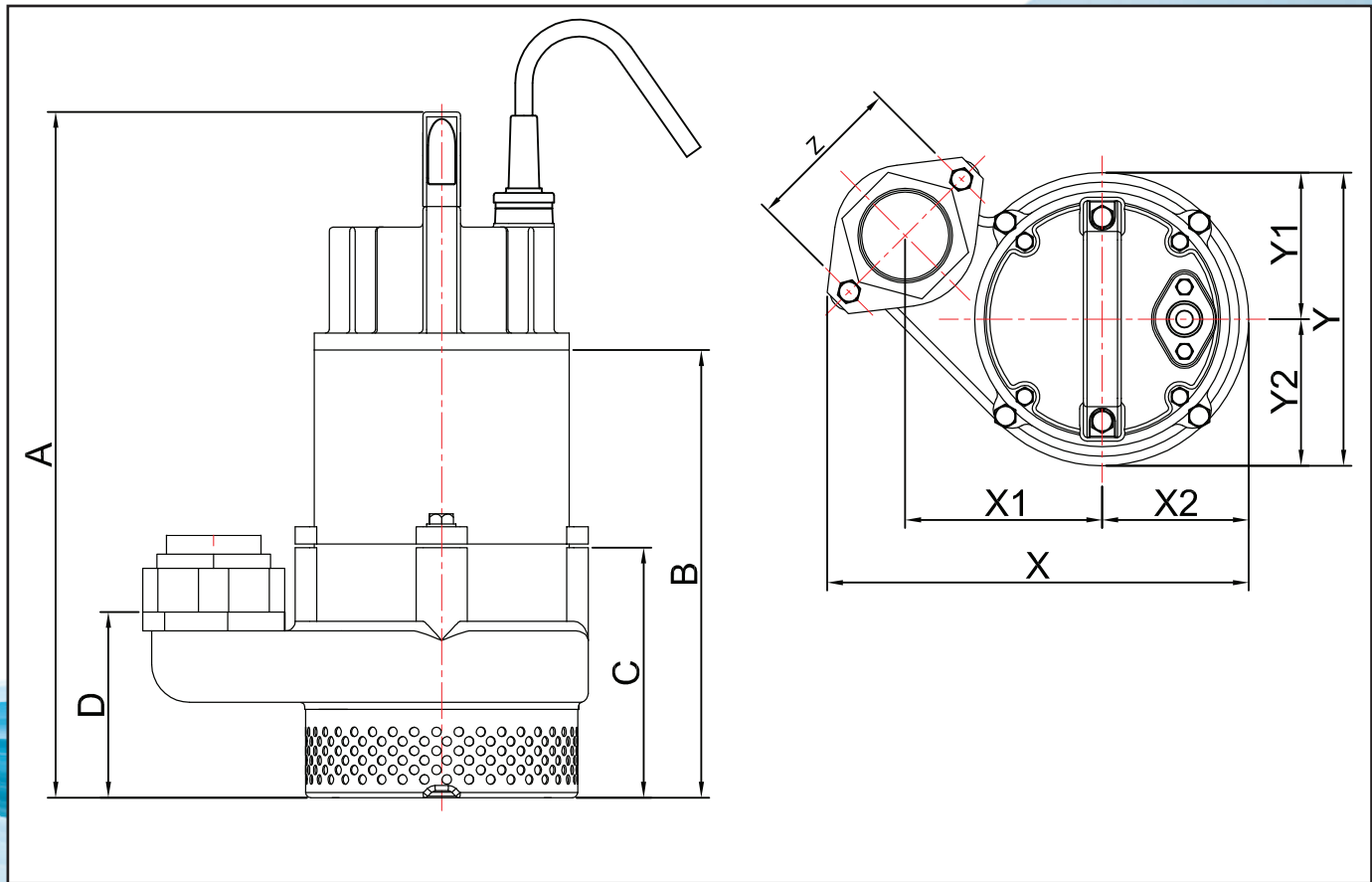


EFFLUENT PUMPS

LB Series

● Dimension (unit :mm/in)

LB-25 / LB-40 / LB-75 / LB-215 / LB-315



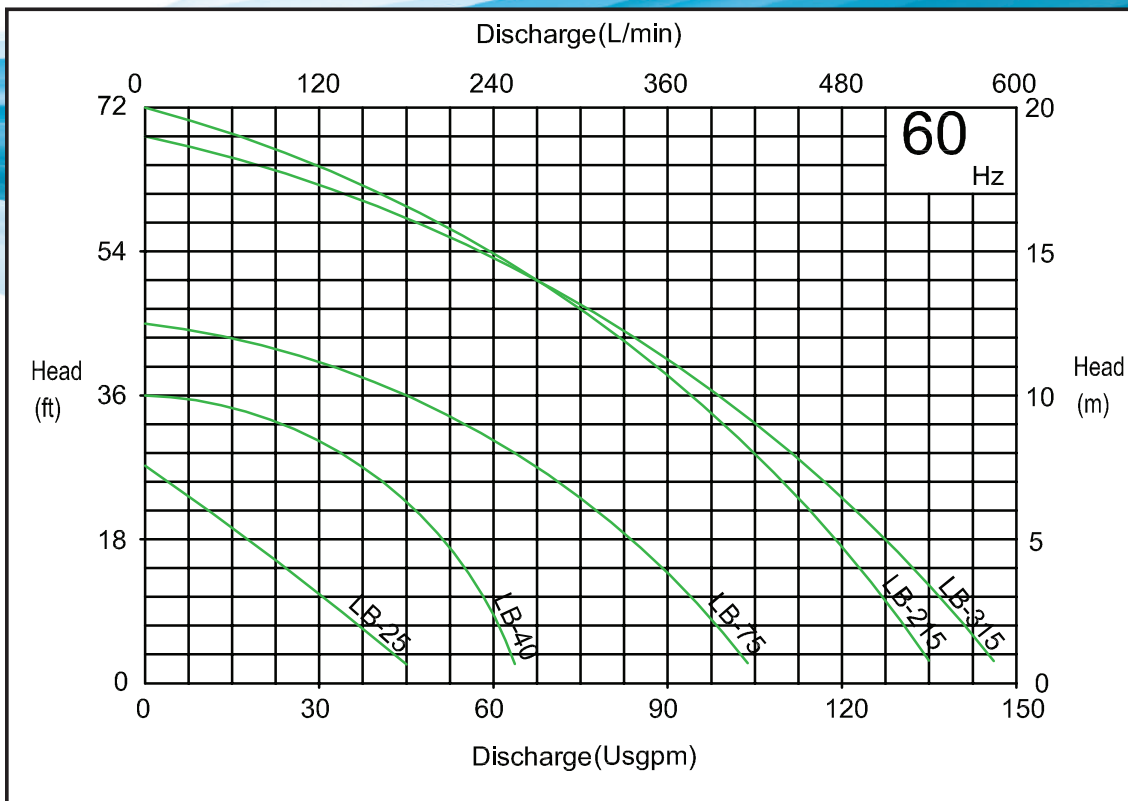
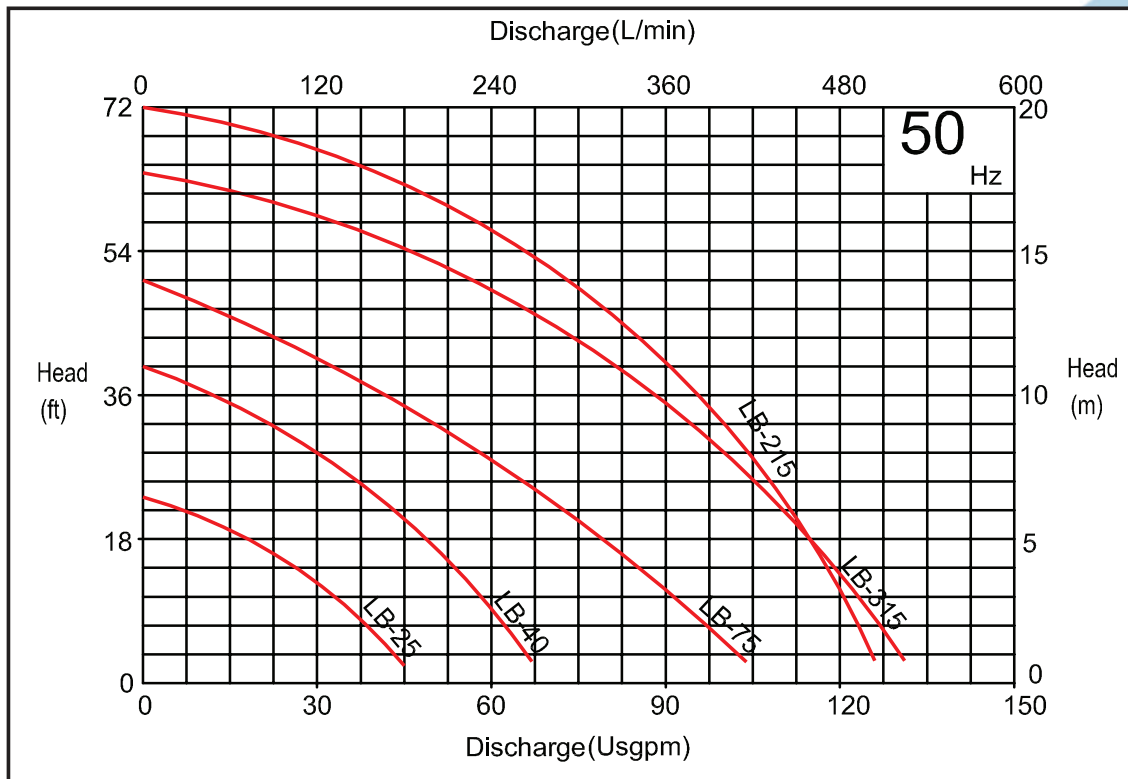
Type	A		B		C		D		Z		X		Y	
	mm	in	mm	in	mm	in	mm	in	mm	in	mm	in	mm	in
LB-25	345	13.58	227	8.94	125	4.92	87	3.43	84	3.31	228	8.98	155	6.10
LB-40	345	13.58	227	8.94	125	4.92	87	3.43	84	3.31	228	8.98	155	6.10
LB-75	395	15.55	270	10.63	145	5.71	110	4.33	84	3.31	270	10.63	210	8.27
LB-215	440	17.32	320	12.60	150	5.91	110	4.33	120	4.72	314	12.36	210	8.27
LB-315	440	17.32	320	12.60	150	5.91	110	4.33	120	4.72	314	12.36	210	8.27





● Performance Curves

LB-25 / LB-40 / LB-75 / LB-215 / LB-315



■ Stock items ■ Built to order



SEWAGE AND EFFLUENT PUMPS

● Vortex Pump **LBV Series**

**LBV-25 / LBV-40 / LBV-75 / LBV-215 / LBV-215H
LBV-315 / LBV-315-1 / LBV-322 / LBV-337 / LBV-437**

LBV Vortex Pump – portable, lightweight and compact vortex design, free from clogging of foreign solids. Carrying solid passage up to 65 mm (2.6 in.) for residential raw sewage or liquid effluent pumping applications.

- LBV-25
- LBV-40
- LBV-75
- LBV-215/LBV-215H
- LBV-315/LBV-315-1
- LBV-322
- LBV-337/LBV-437



- Outlet – 40 mm (1-1/2 in), 50 mm (2 in), 80 mm (3 in), and 100 mm (4 in)
- Max. head – up to 20 m / 69 ft.
- Max. flow – up to 1100 l/min / 291 gpm
- Solid passage – up to 65 mm (2.6 in)
- Fine cast iron construction – superior heat dissipation.
- Heat-treated 410 stainless steel shaft.
- Double mechanical seals (Carbon-Ceramic + Carbon-Ceramic) in oil chamber.
- Ball bearings lubricated for life and free maintenance.
- Dynamically balanced cast iron impeller – vortex designed for dealing soft or fibrous materials without clogging.
- Oil-free motor, 1 & 3 phase, with built-in thermal protector.
- Max. liquid temperature – 40°C (104°F).
- Standard cable length – 6 m (20 ft) and 10 m (30 ft), or longer upon request.
- Tethered float switch is available: LBV-25A,.....,LBV-315A.

✓	
	Simplex
	Duplex
	Triplex

✓	OPTIONAL EQUIPMENT
	Additional cable
	Slide away coupling
	Impeller trims
	High temp winding and seal liquids 190°F/ 88°C

Go to www.flofab.com in Our Products Section to see the Master Spec - <http://www.arcomnet.com/masterspec/>



SEWAGE AND EFFLUENT PUMPS

LBV Series

Technical Data

✓	Model	Outlet		Elec. MOTOR			Voltage/Phase /HZ	Solid Passage		Weight	
		mm	in	Hp	Amp.			mm	in	Kgs	Lbs
					Start	Run					
	LBV25-1-115-60	40	1 1/2	1/3	3.3	-	115/1/60	10	0.4	13.5	29.7
	LBV25-1-208-60	40	1 1/2	1/3	1.5	-	208/1/60	10	0.4	13.5	29.7
	LBV25-1-230-60	40	1 1/2	1/3	1.7	-	230/1/60	10	0.4	13.5	29.7
	LBV25-3-208-60	40	1 1/2	1/3	1.5	-	208/3/60	10	0.4	13.5	29.7
	LBV25-3-230-60	40	1 1/2	1/3	1.7	-	230/3/60	10	0.4	13.5	29.7
	LBV25-3-460-60	40	1 1/2	1/3	-	-	460/3/60	10	0.4	13.5	29.7
	LBV25-3-575-60	40	1 1/2	1/3	-	-	575/3/60	10	0.4	13.5	29.7
	LBV40-1-115-60	50	2	1/2	13	5.0	115/1/60	10	0.4	14.5	31.9
	LBV40-1-208-60	50	2	1/2	-	2.64	208/1/60	10	0.4	14.5	31.9
	LBV40-1-230-60	50	2	1/2	-	2.5	230/1/60	10	0.4	14.5	31.9
	LBV40-3-208-60	50	2	1/2	7.6	1.6	208/3/60	10	0.4	14.5	31.9
	LBV40-3-230-60	50	2	1/2	7.5	1.4	230/3/60	10	0.4	14.5	31.9
	LBV40-3-460-60	50	2	1/2	3.5	0.7	460/3/60	10	0.4	14.5	31.9
	LBV40-3-575-60	50	2	1/2	2	0.6	575/3/60	10	0.4	14.5	31.9
	LBV75-1-115-60	50	2	1/2	30	10	115/1/60	22	0.9	20.5	45.1
	LBV75-1-208-60	50	2	1/2	-	5.28	208/1/60	22	0.9	20.5	45.1
	LBV75-1-230-60	50	2	1/2	-	5.0	230/1/60	22	0.9	20.5	45.1
	LBV75-3-208-60	50	2	1/2	15.8	3.2	208/3/60	22	0.9	20.5	45.1
	LBV75-3-230-60	50	2	1/2	15	2.9	230/3/60	22	0.9	20.5	45.1
	LBV75-3-460-60	50	2	1/2	7	1.4	460/3/60	22	0.9	20.5	45.1
	LBV75-3-575-60	50	2	1/2	4	1.1	575/3/60	22	0.9	20.5	45.1
	LBV215-1-208-60	50	2	1	-	10.57	208/1/60	28	1.1	24	52.8
	LBV215-1-230-60	50	2	1	-	10	230/1/60	28	1.1	24	52.8
	LBV215-3-208-60	50	2	1	24	6.3	208/3/60	28	1.1	24	52.8
	LBV215-3-230-60	50	2	1	22.5	5.7	230/3/60	28	1.1	24	52.8
	LBV215-3-460-60	50	2	1	12.1	2.9	460/3/60	28	1.1	24	52.8
	LBV215-3-575-60	50	2	1	9	2.3	575/3/60	28	1.1	24	52.8
	LBV215H-1-208-60	50	2	1	-	-	208/1/60	35	1.4	24.5	53.9
	LBV215H-1-220-60	50	2	1	-	-	220/1/60	35	1.4	24.5	53.9
	LBV215H-1-230-60	50	2	1	-	-	230/1/60	35	1.4	24.5	53.9
	LBV215H-3-208-60	50	2	1	-	-	208/3/60	35	1.4	24.5	53.9
	LBV215H-3-230-60	50	2	1	-	-	230/3/60	35	1.4	24.5	53.9
	LBV215H-3-460-60	50	2	1	-	-	460/3/60	35	1.4	24.5	53.9
	LBV215H-3-575-60	50	2	1	-	-	575/3/60	35	1.4	24.5	53.9
	LBV315-1-208-60	80	3	1	-	10.57	208/1/60	28	1.1	24.5	53.9
	LBV315-1-230-60	80	3	1	-	10	230/1/60	28	1.1	24.5	53.9
	LBV315-3-208-60	80	3	1	24	6.3	208/3/60	28	1.1	24.5	53.9
	LBV315-3-230-60	80	3	1	22.5	5.7	230/3/60	28	1.1	24.5	53.9
	LBV315-3-460-60	80	3	1	12.1	2.9	460/3/60	28	1.1	24.5	53.9
	LBV315-3-575-60	80	3	1	9	2.30	575/3/60	28	1.1	24.5	53.9
	LBV315-1-1-208-60	80	3	1	-	-	208/1/60	28	1.1	24.5	53.9
	LBV315-1-1-230-60	80	3	1	-	-	230/1/60	28	1.1	24.5	53.9
	LBV315-1-3-208-60	80	3	1	-	-	208/3/60	28	1.1	24.5	53.9
	LBV315-1-3-230-60	80	3	1	-	-	230/3/60	28	1.1	24.5	53.9
	LBV315-1-3-460-60	80	3	1	-	-	460/3/60	28	1.1	24.5	53.9
	LBV315-1-3-575-60	80	3	1	-	-	575/3/60	28	1.1	24.5	53.9
	LBV322-3-208-60	80	3	2	-	9.5	208/3/60	25	1.0	48	105.6
	LBV322-3-230-60	80	3	2	-	8.6	230/3/60	25	1.0	48	105.6
	LBV322-3-460-60	80	2	2	-	4.3	460/3/60	25	1.0	48	105.6
	LBV322-3-575-60	80	2	2	-	3.4	575/3/60	25	1.0	48	105.6
	LBV337-3-208-60	80	3	3	-	15.9	208/3/60	25	1.0	55.5	122.1
	LBV337-3-230-60	80	3	3	-	14.3	230/3/60	25	1.0	55.5	122.1
	LBV337-3-460-60	80	3	3	-	7.2	460/3/60	25	1.0	55.5	122.1
	LBV337-3-575-60	80	3	3	-	5.7	575/3/60	25	1.0	55.5	122.1
	LBV437-3-208-60	100	4	3	-	15.9	208/3/60	25	1.0	55.5	122.1
	LBV437-3-230-60	100	4	3	-	14.3	230/3/60	25	1.0	55.5	122.1
	LBV437-3-460-60	100	4	3	-	7.2	460/3/60	25	1.0	55.5	122.1
	LBV437-3-575-60	100	4	3	-	5.7	575/3/60	25	1.0	55.5	122.1

Go to www.flofab.com in Our Products Section to see the Master Spec - <http://www.arcomnet.com/masterspec/>

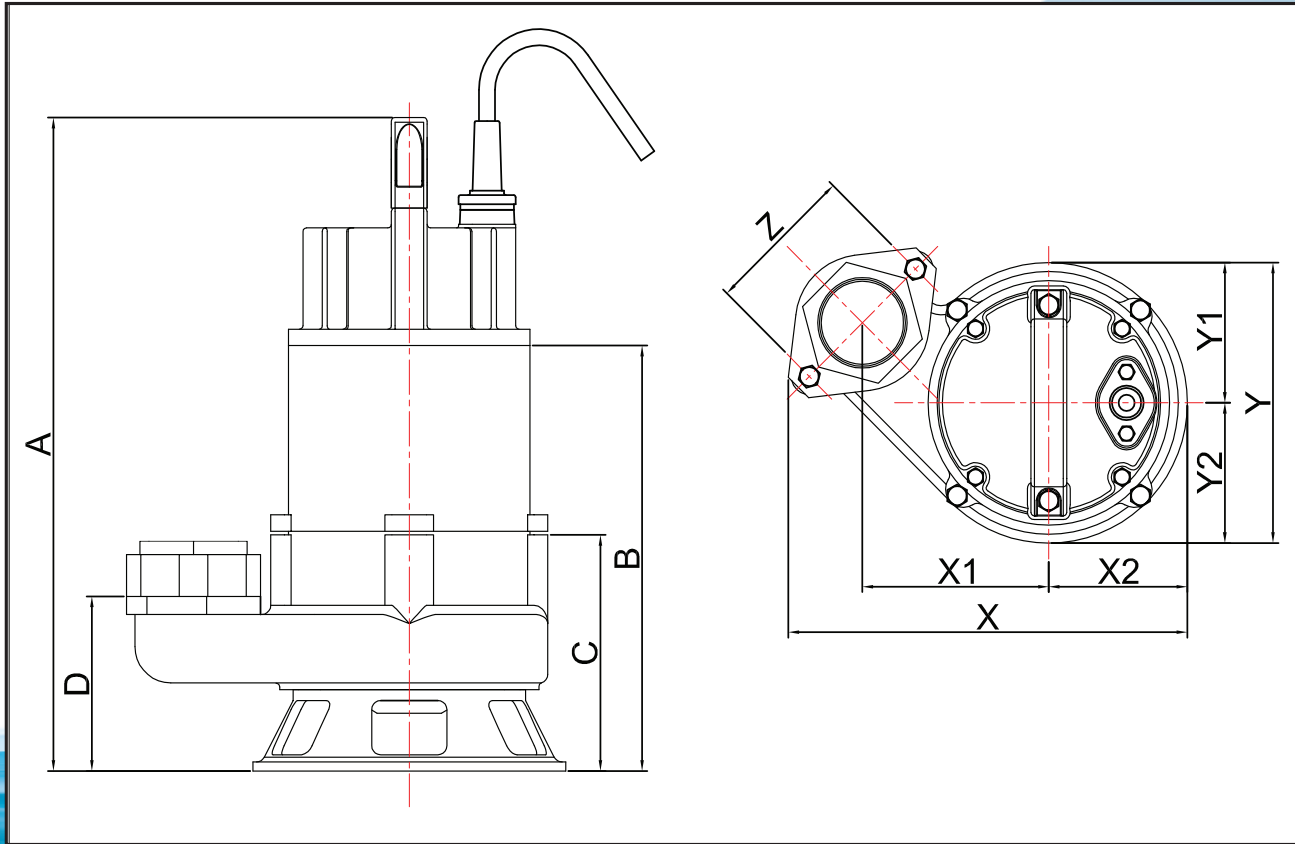


SEWAGE AND EFFLUENT PUMPS

LBV Series

● Dimension (unit:mm/in)

LBV-25 / LBV-40 / LBV-75

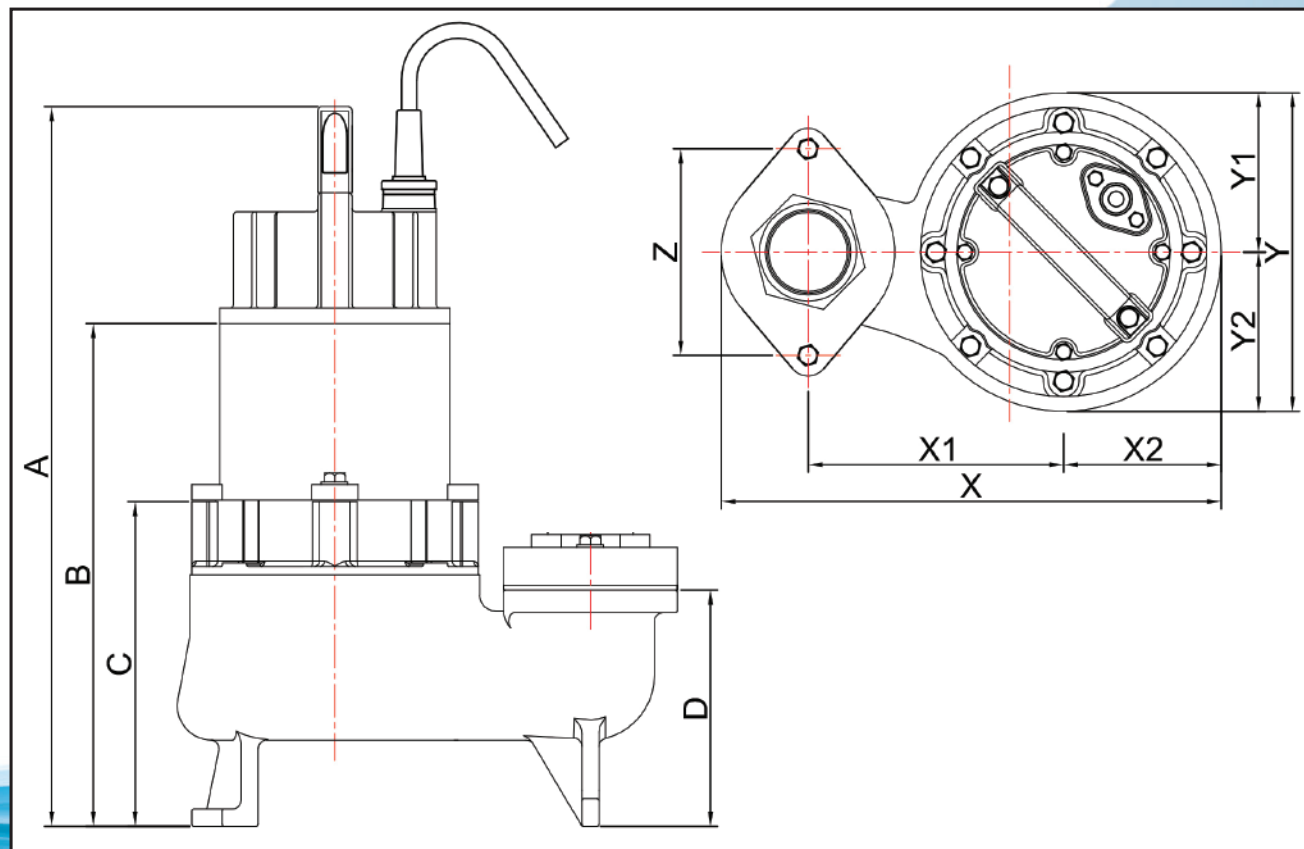


Type	A		B		C		D		Z		X		Y	
	mm	in	mm	in	mm	in	mm	in	mm	in	mm	in	mm	in
LBV-25	355	13.98	240	9.45	137	5.39	96	3.78	84	3.31	228	8.98	155	6.10
LBV-40	355	13.98	240	9.45	137	5.39	96	3.78	84	3.31	228	8.98	155	6.10
LBV-75	410	16.14	290	11.42	137	5.39	132	5.20	84	3.31	270	10.63	210	8.27

Type	X1		X2		Y1		Y2	
	mm	in	mm	in	mm	in	mm	in
LBV-25	120	4.72	76	2.99	75	2.95	80	3.15
LBV-40	120	4.72	76	2.99	75	2.95	80	3.15
LBV-75	130	5.12	110	4.33	95	3.74	115	4.53

● Dimension (unit:mm/in)

LBV-215 / LBV-315 / LBV-315-1



Type	A		B		C		D		Z		X		Y	
	mm	in	mm	in	mm	in	mm	in	mm	in	mm	in	mm	in
LBV-215	485	19.09	360	14.17	193	7.60	122	4.80	120	4.72	290	11.42	188	7.40
LBV-315	485	19.09	360	14.17	193	7.60	122	4.80	120	4.72	290	11.42	188	7.40
LBV-315-1	538	21.18	413	16.26	246	9.69	175	6.89	120	4.72	290	11.42	188	7.40

Type	X1		X2		Y1		Y2	
	mm	in	mm	in	mm	in	mm	in
LBV-215	148	5.83	92	3.62	95	3.74	93	3.66
LBV-315	148	5.83	92	3.62	95	3.74	93	3.66
LBV-315-1	148	5.83	92	3.62	95	3.74	93	3.66

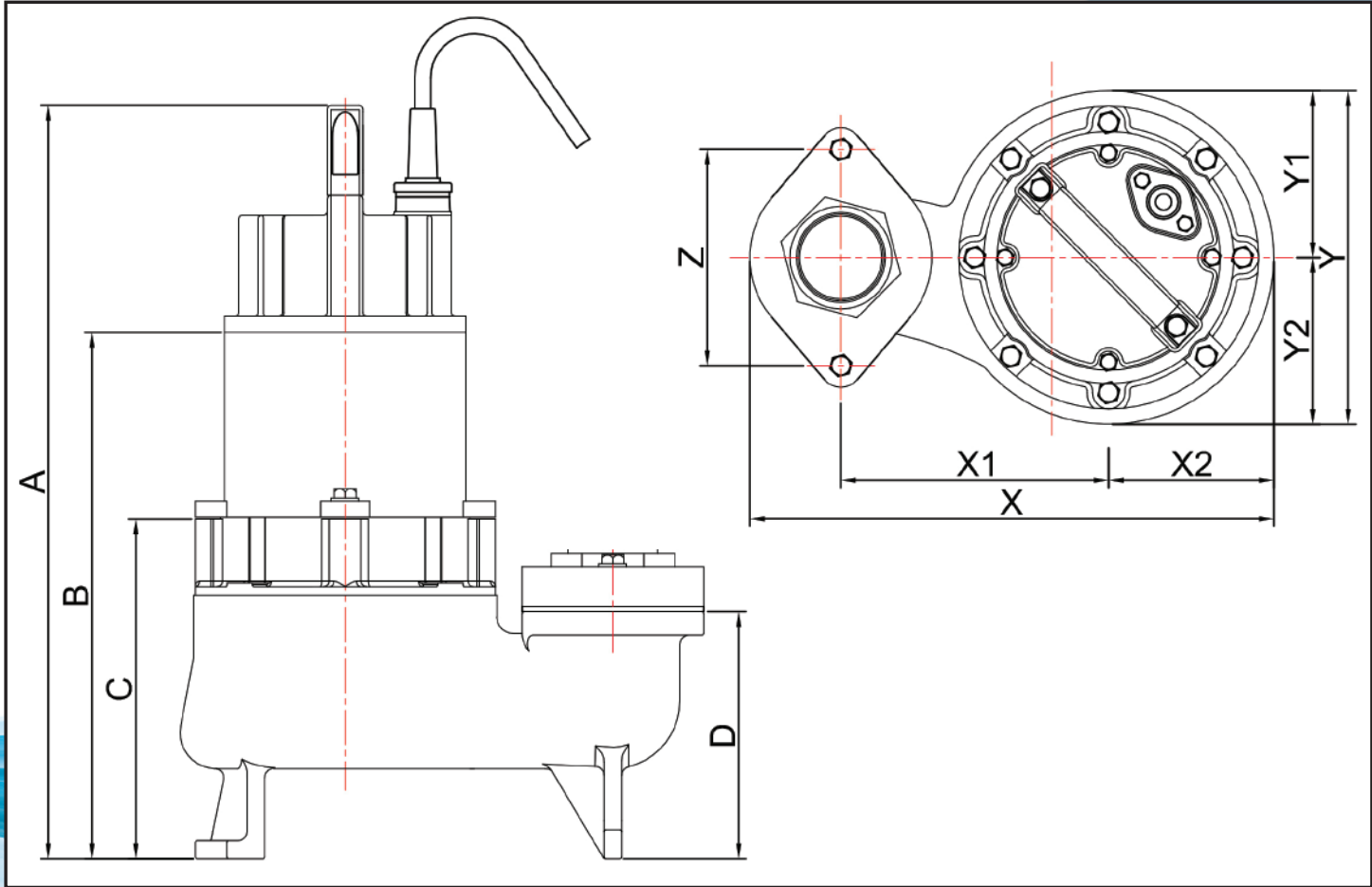


SEWAGE AND EFFLUENT PUMPS

LBV Series

● **Dimension (unit:mm/in)**

LBV-215H



Type	A		B		C		D		Z		X		Y	
	mm	in	mm	in	mm	in	mm	in	mm	in	mm	in	mm	in
LBV-215H	462	18.19	336	13.23	178	7.01	119	4.69	85	3.35	283	11.14	202	7.95

X1		X2		Y1		Y2	
mm	in	mm	in	mm	in	mm	in
145	5.71	100	3.94	99	3.90	103	4.06

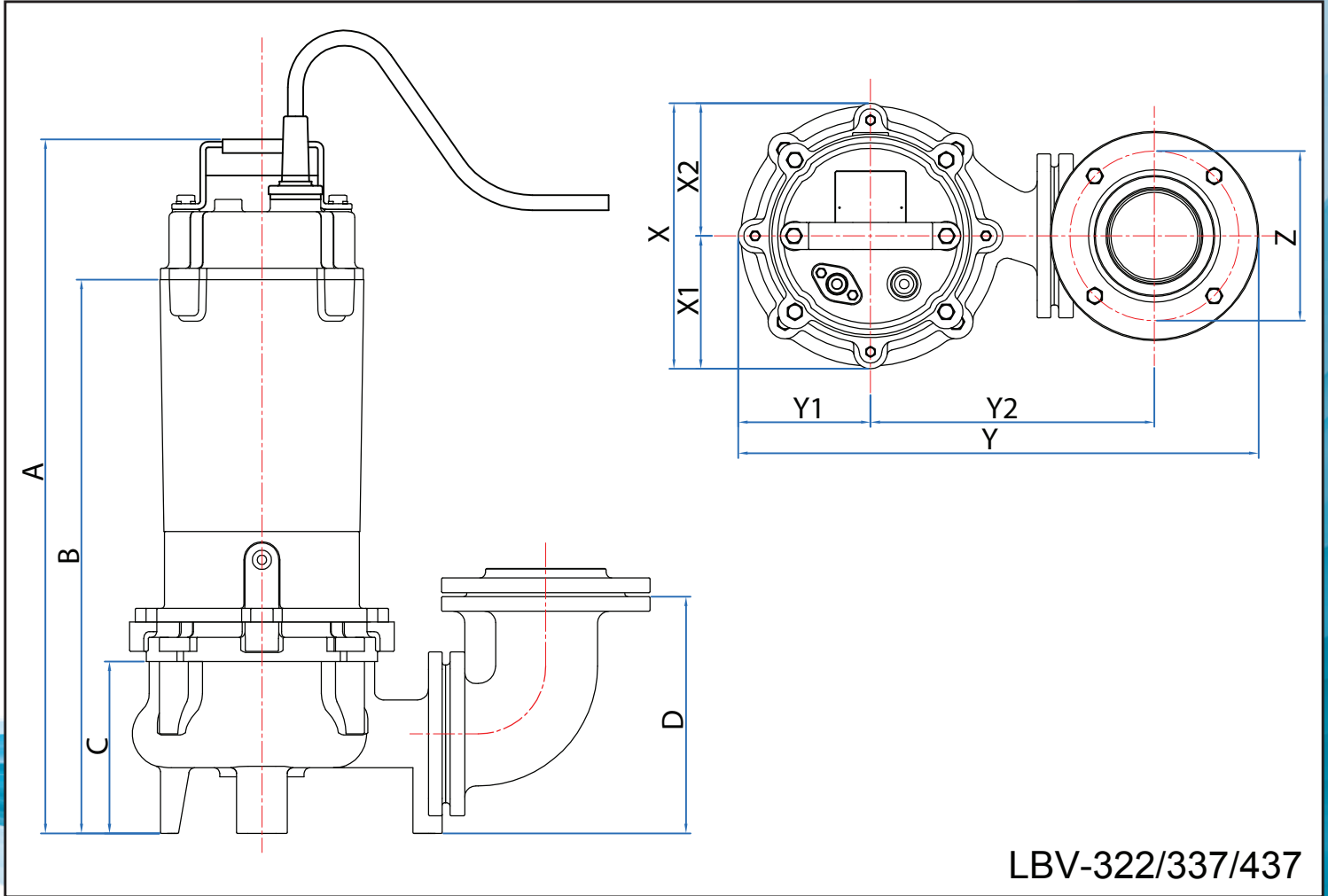


SEWAGE AND EFFLUENT PUMPS

LBV Series

● **Dimension (unit:mm/in)**

LBV-322 / LBV-337 / LBV-437



LBV-322/337/437

Type	A		B		C		D		Z		X		Y	
	mm	in	mm	in	mm	in	mm	in	mm	in	mm	in	mm	in
LBV-322	527	20.75	435	17.13	152	5.98	218	8.58	140	5.51	240	9.45	462	18.19
LBV-337,437	557	21.93	465	18.31	152	5.98	218	8.58	140	5.51	240	9.45	462	18.19

	X1		X2		Y1		Y2	
	mm	in	mm	in	mm	in	mm	in
LBV-322								
LBV-337,437	115	4.53	125	4.92	119	4.69	252	9.92

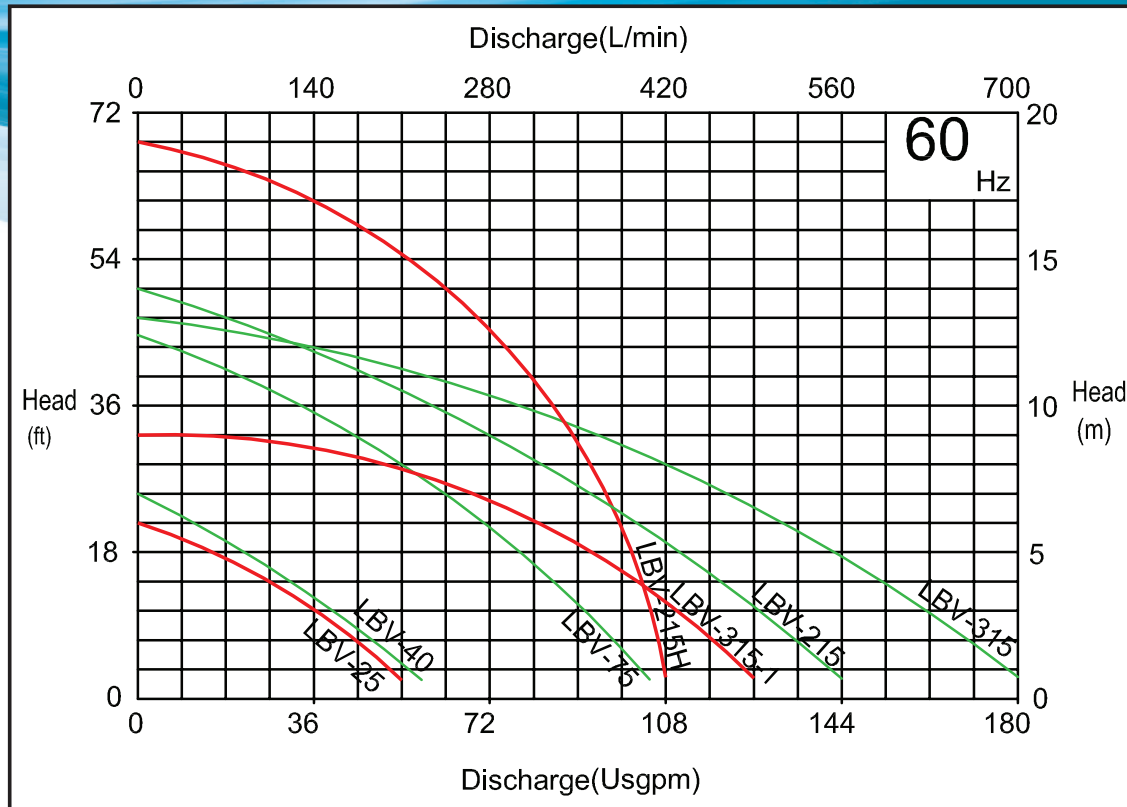
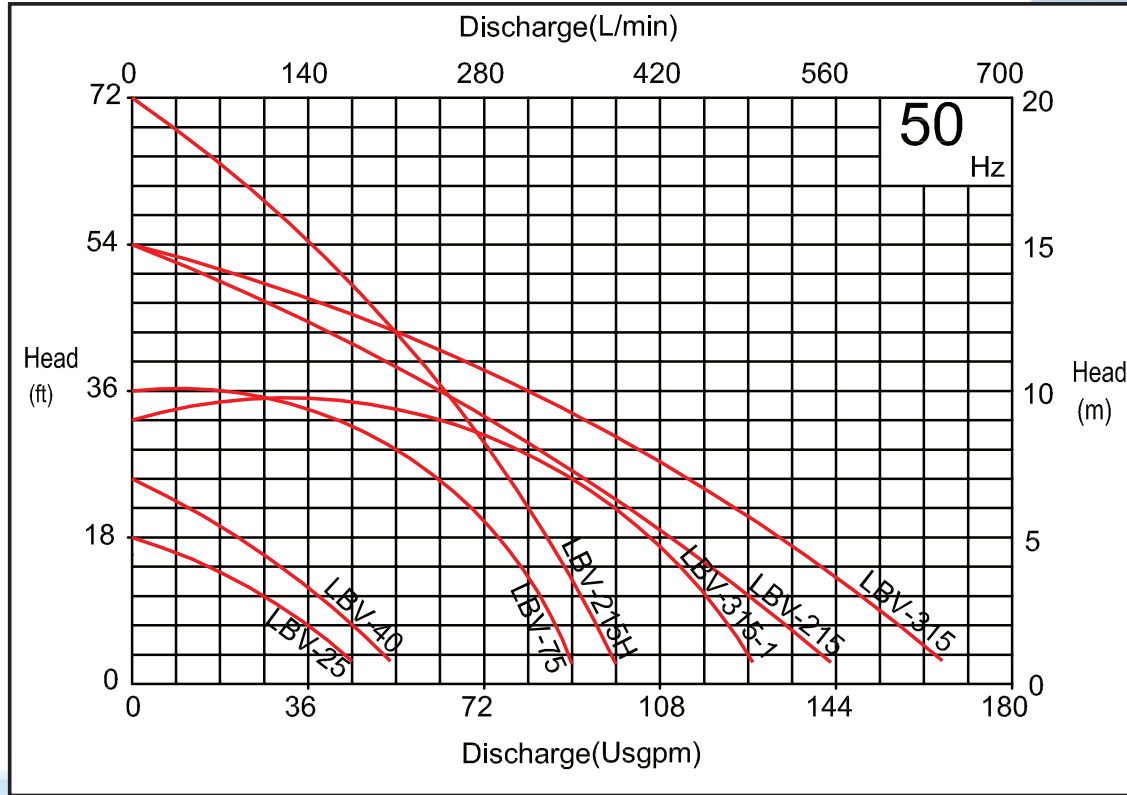


SEWAGE AND EFFLUENT PUMPS

LBV Series

● Performance Curves

LBV-25 / LBV-40 / LBV-75 / LBV-215 / LBV-215H
 LBV-315 / LBV-315-1 / LBV-322 / LBV-337 / LBV-437



■ Stock items ■ Built to order

Go to www.flofab.com in Our Products Section to see the Master Spec - <http://www.arcomnet.com/masterspec/>

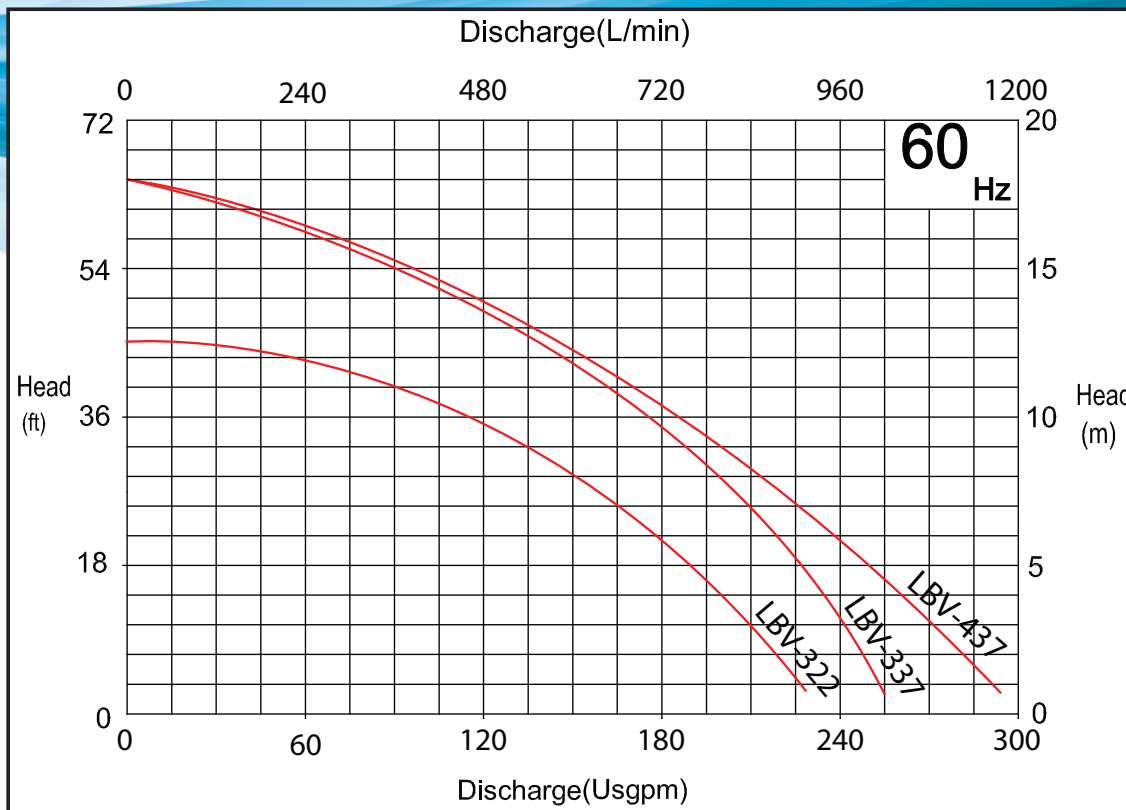
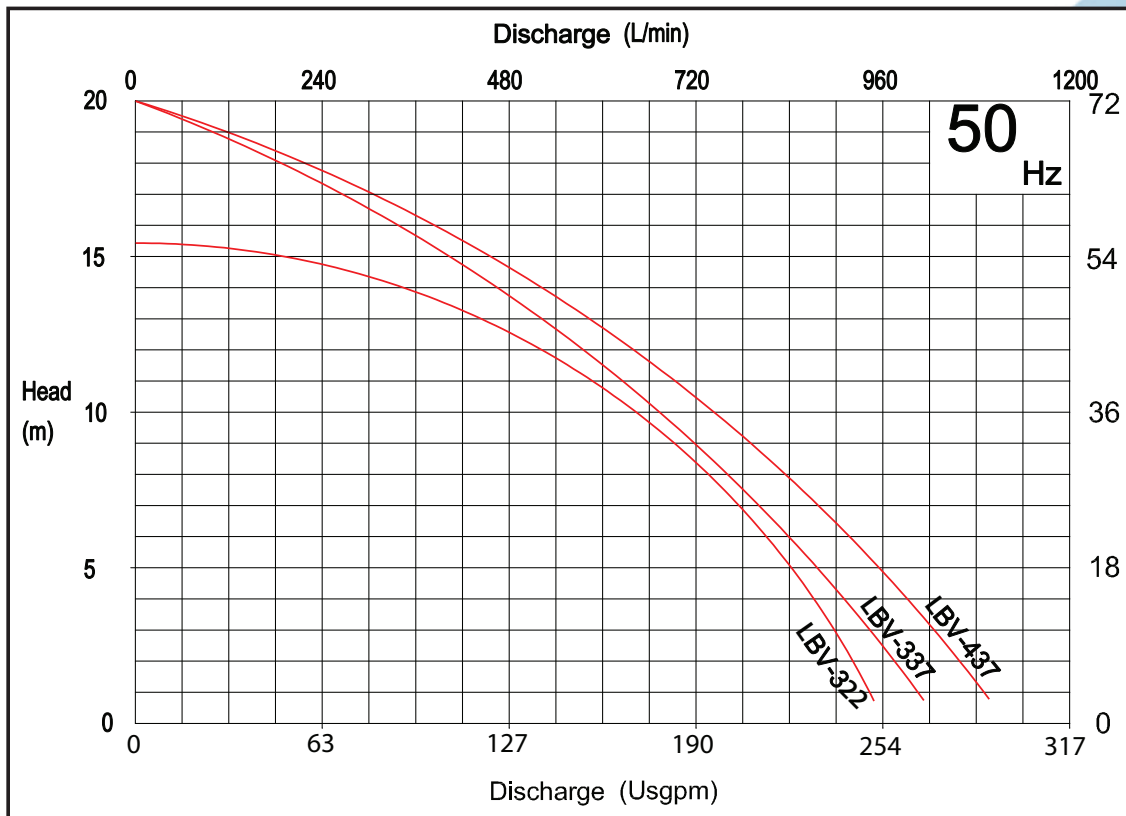


SEWAGE AND EFFLUENT PUMPS

LBV Series

● Performance Curves

LBV-322 / LBV-337/ LBV-437



■ Stock items ■ Built to order

Go to www.flofab.com in Our Products Section to see the Master Spec - <http://www.arcomnet.com/masterspec/>



SEWAGE AND EFFLUENT PUMPS

LBC/LBK

• Sewage Non-Clog Pumps

LBC-75 / LBC-215 / LBC-315 / LBC-322 / LBC-337 / LBC-437
 LBK-75 / LBK-215 / LBK-315 / LBK-322 / LBK-337 / LBK-437

LBK non-clog pump for residential raw sewage and various waste water treatment.

- | | |
|---------------|---------------|
| ■ LBC/LBK-75 | ■ LBC/LBK-322 |
| ■ LBC/LBK-215 | ■ LBC/LBK-337 |
| ■ LBC/LBK-315 | ■ LBC/LBK-437 |



- Outlet – 50 mm (2 in.), 80 mm (3 in.), and 100 mm (4 in.).
- Max. head – up to 20 m / 66 ft.
- Max. flow – up to 1200 l/min / 317 gpm
- Compact casting design: lightweight with excellent cooling effect for 24H running.
- Heat-treated stainless steel 410 shaft.
- Double mechanical seals (Carbon-Ceramic + Carbon-Ceramic) in oil chamber.
- Oil-free motor, IP 68, with built-in thermal protector.
- Dynamically balanced impeller –
- LBK Series: Unique two-blade non-clog impeller.
- LBC Series: Tungsten carbide steel tips incorporated with unique chopper plate to cut fibrous materials.
- Max. liquid temperature – 40°C (104°F).
- Standard cable length – 6 m (20 ft) and 10 m (30 ft), or longer upon request.
- Solid passage: up to 36 mm (1.4 in.)
- Tethered float switch is available: LBK-75A,...,LBK-315A.

✓	
	Simplex
	Duplex
	Triplex

✓	OPTIONAL EQUIPMENT
	Additional cable
	Slide away coupling
	Impeller trims
	High temp winding and seal liquids 190°F/ 88°C

Go to www.flofab.com in Our Products Section to see the Master Spec - <http://www.arcomnet.com/masterspec/>



Technical Data

✓	Model	Outlet		Elec. MOTOR			Voltage/Phase /HZ	Solid Passage		Weight	
				Hp	Amp.			mm	in	Kgs	Lbs
		mm	in		Start	Run					
	LBC75-1-115-60	50	2	1/2	30	10	115/1/60	26	1.0	21.5	47.3
	LBC75-1-208-60	50	2	1/2	-	5.28	208/1/60	26	1.0	21.5	47.3
	LBC75-1-230-60	50	2	1/2	-	5	230/1/60	26	1.0	21.5	47.3
	LBC75-3-208-60	50	2	1/2	15.8	3.2	208/3/60	26	1.0	21.5	47.3
	LBC75-3-230-60	50	2	1/2	15	2.9	230/3/60	26	1.0	21.5	47.3
	LBC75-3-460-60	50	2	1/2	7	1.4	460/3/60	26	1.0	21.5	47.3
	LBC75-3-575-60	50	2	1/2	4	1.1	575/3/60	26	1.0	21.5	47.3
	LBC215-1-208-60	50	2	1	-	10.57	208/1/60	25	1.0	26.5	58.3
	LBC215-1-230-60	50	2	1	-	10	230/1/60	25	1.0	26.5	58.3
	LBC215-3-208-60	50	2	1	24	6.3	208/3/60	25	1.0	26.5	58.3
	LBC215-3-230-60	50	2	1	22.5	5.7	230/3/60	25	1.0	26.5	58.3
	LBC215-3-460-60	50	2	1	12.1	2.9	460/3/60	25	1.0	26.5	58.3
	LBC215-3-575-60	50	2	1	9	2.3	575/3/60	25	1.0	26.5	58.3
	LBC315-1-208-60	80	3	1	-	10.57	208/1/60	25	1.0	26.5	58.3
	LBC315-1-230-60	80	3	1	-	10	230/1/60	25	1.0	26.5	58.3
	LBC315-3-208-60	80	3	1	6.35	6.3	208/3/60	25	1.0	26.5	58.3
	LBC315-3-230-60	80	3	1	5.9	5.7	230/3/60	25	1.0	26.5	58.3
	LBC315-3-460-60	80	3	1	2.87	2.9	460/3/60	25	1.0	26.5	58.3
	LBC315-3-575-60	80	3	1	9	2.3	575/3/60	25	1.0	26.5	58.3
	LBC322-3-208-60	80	3	2	-	9.5	208/3/60	36	1.4	48.5	106.7
	LBC322-3-230-60	80	3	2	-	8.6	230/3/60	36	1.4	48.5	106.7
	LBC322-3-460-60	80	3	2	-	4.3	460/3/60	36	1.4	48.5	106.7
	LBC322-3-575-60	80	3	2	-	3.4	575/3/60	36	1.4	48.5	106.7
	LBC337-3-208-60	80	4	3	-	15.9	208/3/60	36	1.4	55.5	122.1
	LBC337-3-230-60	80	4	3	-	14.3	230/3/60	36	1.4	55.5	122.1
	LBC337-3-460-60	80	3	3	-	7.2	460/3/60	36	1.4	55.5	122.1
	LBC337-3-575-60	80	3	3	-	5.7	575/3/60	36	1.4	55.5	122.1
	LBC437-3-208-60	100	4	5	-	15.9	208/3/60	36	1.4	55.5	122.1
	LBC437-3-230-60	100	4	3	-	14.3	230/3/60	36	1.4	55.5	122.1
	LBC437-3-460-60	100	4	3	-	7.2	460/3/60	36	1.4	55.5	122.1
	LBC437-3-575-60	100	4	3	-	5.7	575/3/60	36	1.4	55.5	122.1



SEWAGE AND EFFLUENT PUMPS

LBK Series

• Technical Data

✓	Model	Outlet		Elec. MOTOR			Voltage/Phase /HZ	Solid Passage		Weight	
		mm	in	Hp	Amp.			mm	in	Kgs	Lbs
					Start	Run					
	LBK75-1-115-60	50	2	1/2	30	10	115/1/60	26	1.0	21.5	47.3
	LBK75-1-208-60	50	2	1/2	-	5.28	208/1/60	26	1.0	21.5	47.3
	LBK75-1-230-60	50	2	1/2	-	5	230/1/60	26	1.0	21.5	47.3
	LBK75-3-208-60	50	2	1/2	15.8	3.2	208/3/60	26	1.0	21.5	47.3
	LBK75-3-230-60	50	2	1/2	15	2.9	230/3/60	26	1.0	21.5	47.3
	LBK75-3-460-60	50	2	1/2	7	1.4	460/3/60	26	1.0	21.5	47.3
	LBK75-3-575-60	50	2	1/2	4	1.1	575/3/60	26	1.0	21.5	47.3
	LBK215-1-208-60	50	2	1	-	10.57	208/1/60	25	1.0	26.5	58.3
	LBK215-1-230-60	50	2	1	-	10	230/1/60	25	1.0	26.5	58.3
	LBK215-3-208-60	50	2	1	24	6.3	208/3/60	25	1.0	26.5	58.3
	LBK215-3-230-60	50	2	1	22.5	5.7	230/3/60	25	1.0	26.5	58.3
	LBK215-3-460-60	50	2	1	12.1	2.9	460/3/60	25	1.0	26.5	58.3
	LBK215-3-575-60	50	2	1	9	2.3	575/3/60	25	1.0	26.5	58.3
	LBK315-1-208-60	80	3	1	-	10.57	208/1/60	25	1.0	26.5	58.3
	LBK315-1-230-60	80	3	1	-	10	230/1/60	25	1.0	26.5	58.3
	LBK315-3-208-60	80	3	1	6.35	6.3	208/3/60	25	1.0	26.5	58.3
	LBK315-3-230-60	80	3	1	5.9	5.7	230/3/60	25	1.0	26.5	58.3
	LBK315-3-460-60	80	3	1	2.87	2.9	460/3/60	25	1.0	26.5	58.3
	LBK315-3-575-60	80	3	1	9	2.3	575/3/60	25	1.0	26.5	58.3
	LBK322-3-208-60	80	3	2	-	9.5	208/3/60	36	1.4	48.5	106.7
	LBK322-3-230-60	80	3	2	-	8.6	230/3/60	36	1.4	48.5	106.7
	LBK322-3-460-60	80	3	2	-	4.3	460/3/60	36	1.4	48.5	106.7
	LBK322-3-575-60	80	3	2	-	3.4	575/3/60	36	1.4	48.5	106.7
	LBK337-3-208-60	80	4	3	-	15.9	208/3/60	36	1.4	55.5	122.1
	LBK337-3-230-60	80	4	3	-	14.3	230/3/60	36	1.4	55.5	122.1
	LBK337-3-460-60	80	3	3	-	7.2	460/3/60	36	1.4	55.5	122.1
	LBK337-3-575-60	80	3	3	-	5.7	575/3/60	36	1.4	55.5	122.1
	LBK437-3-208-60	100	4	3	-	15.9	208/3/60	36	1.4	55.5	122.1
	LBK437-3-230-60	100	4	3	-	14.3	230/3/60	36	1.4	55.5	122.1
	LBK437-3-460-60	100	4	3	-	7.2	460/3/60	36	1.4	55.5	122.1
	LBK437-3-575-60	100	4	3	-	5.7	575/3/60	36	1.4	55.5	122.1

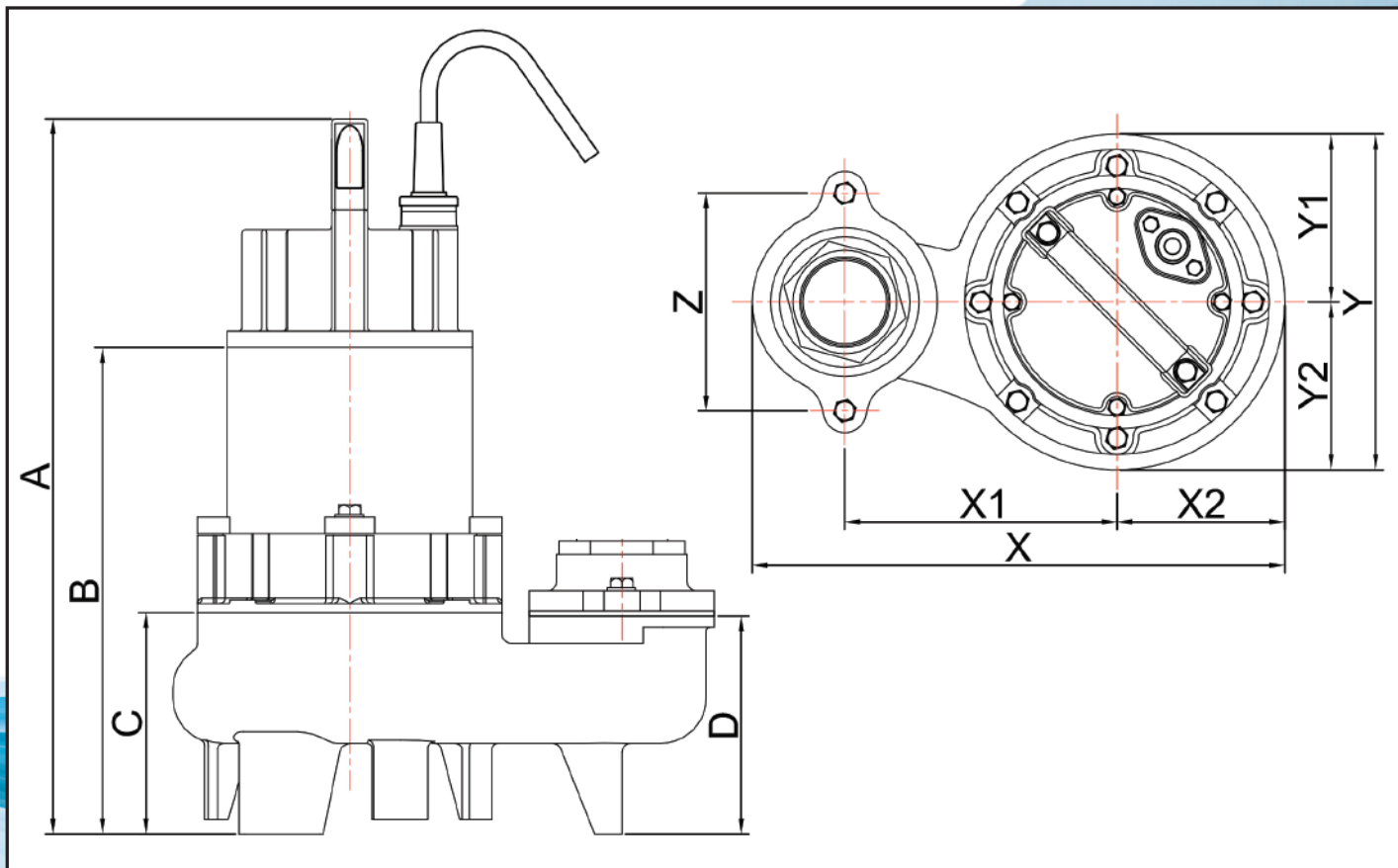


SEWAGE AND EFFLUENT PUMPS

LBC/LBK Series

● Dimension (unit :mm/in)

LBC-75 / LBC-215 / LBC-315
LBK-75 / LBK-215 / LBK-315



Type	A		B		C		D		Z		X		Y	
	mm	in	mm	in	mm	in	mm	in	mm	in	mm	in	mm	in
LBC/LBK-75	430	16.96	300	11.81	166	6.54	123	4.84	119	4.68	300	11.81	200	7.87
LBC/LBK-215	430	16.96	300	11.81	166	6.54	123	4.84	119	4.68	300	11.81	200	7.87
LBC/LBK-315	462	18.19	335	13.19	166	6.54	123	4.84	119	4.68	300	11.81	200	7.87
LBC/LBK-315-1	462	18.19	335	13.19	166	6.54	123	4.84	119	4.68	300	11.81	200	7.87

Type	X1		X2		Y1		Y2	
	mm	in	mm	in	mm	in	mm	in
LBC/LBK-75	153	6.02	96	3.78	95	3.74	105	4.13
LBC/LBK-215	153	6.02	96	3.78	95	3.74	105	4.13
LBC/LBK-315	153	6.02	96	3.78	95	3.74	105	4.13
LBC/LBK-315-1	153	6.02	96	3.78	95	3.74	105	4.13

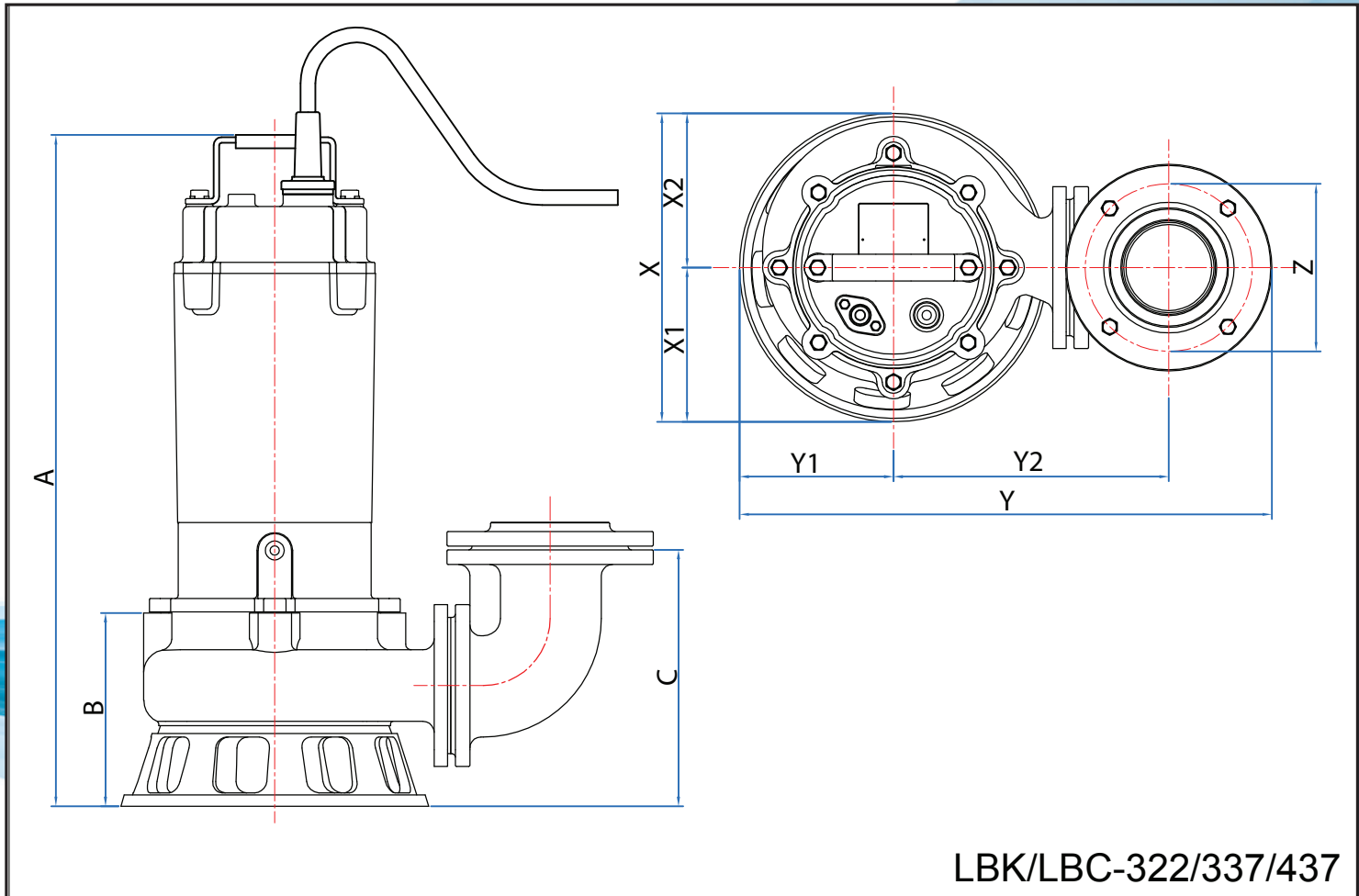


SEWAGE AND EFFLUENT PUMPS

LBC/LBK Series

● **Dimension (unit :mm/in)**

LBC-322 / LBC-337 / LBC-437
 LBK-322 / LBK-337 / LBK-437



LBK/LBC-322/337/437

Type	A		B		C		Z		X		Y	
	mm	in	mm	in	mm	in	mm	in	mm	in	mm	in
LBC/LBK-322	567	22.32	176	6.93	235	9.25	140	5.51	276	10.86	480	18.89
LBC/LBK-337,437	597	23.50	176	6.93	235	9.25	140	5.51	276	10.86	480	18.89

Type	X1		X2		Y1		Y2	
	mm	in	mm	in	mm	in	mm	in
LBC/LBK-322	138	5.43	138	5.43	138	5.43	251	9.88
LBC/LBK-337, 437	138	5.43	138	5.43	138	5.43	251	9.88

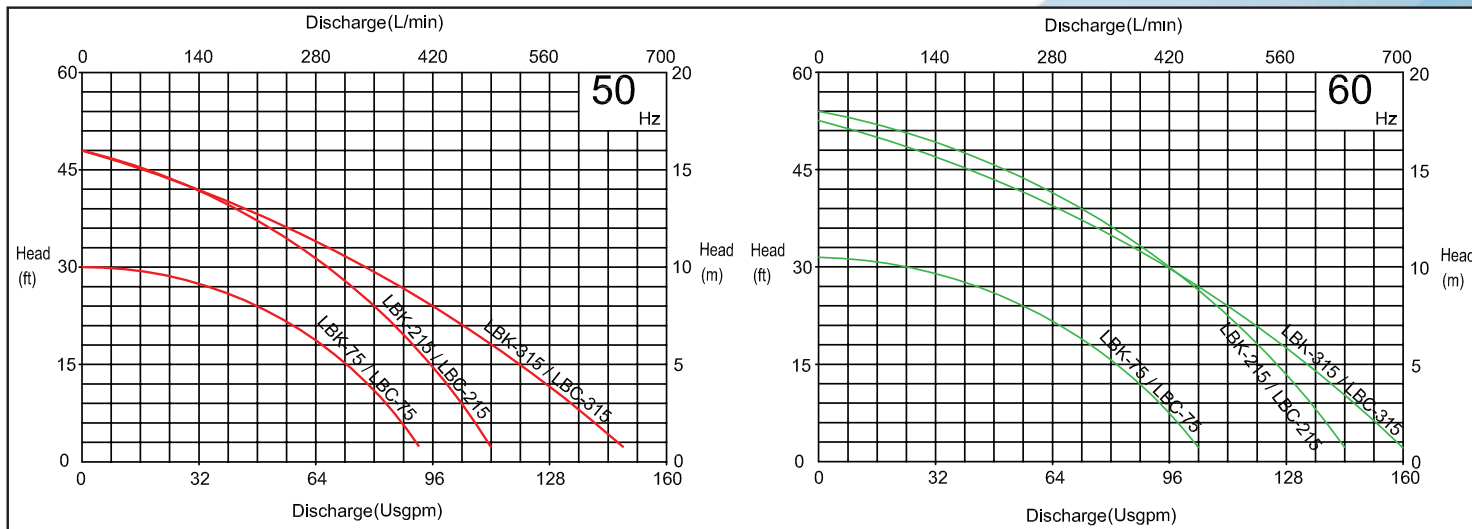


SEWAGE AND EFFLUENT PUMPS

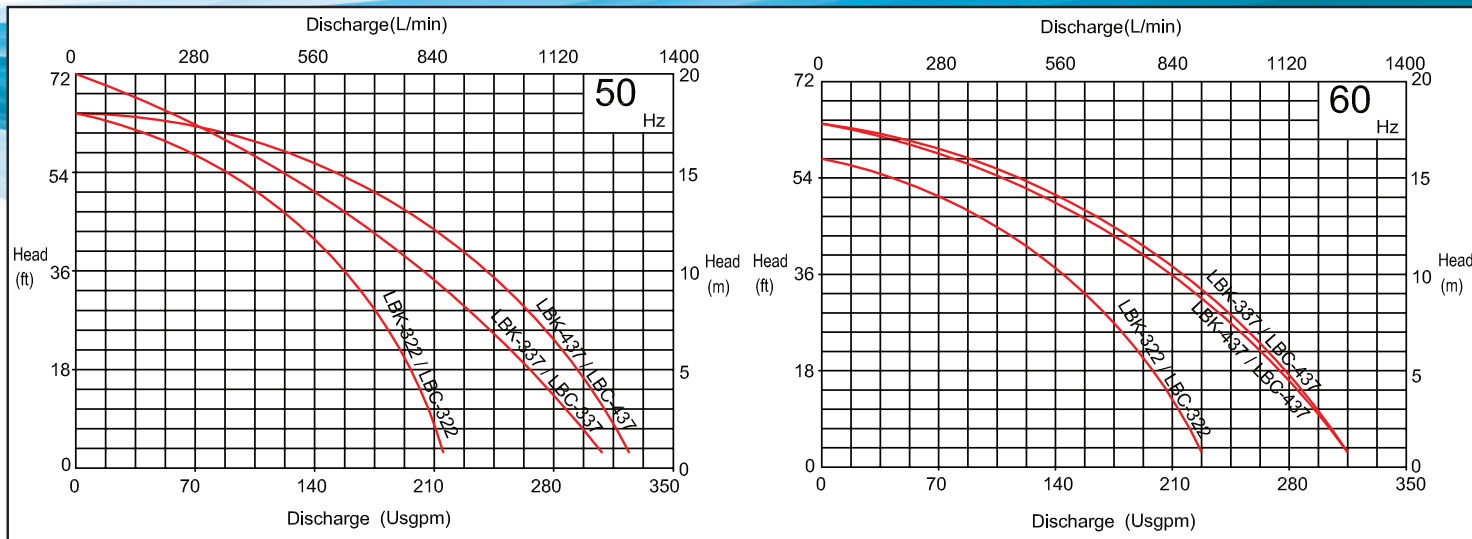
LBC/LBK Series

Performance Curves

LBC-75 / LBC-215 / LBC-315
LBK-75 / LBK-215 / LBK-315



LBC-322 / LBC-337 / LBC-437
LBK-322 / LBK-337 / LBK-437



■ Stock items ■ Built to order



SEWAGE AND EFFLUENT PUMPS

FBV Series

• Sewage Vortex Pump

**FBV-322 / FBV-337 / FBV-437
FBV-455 / FBV-475**

FBV Sewage Vortex Pump features a vortex impeller and wide interior pump casing, effectively pumping and discharging watercontaining solids and fibrous foreign materials, ideal for sewage waste water treatment.

- FBV-322 Sewage Vortex Pump
- FBV-337
- FBV-437
- FBV-455
- FBV-475



- Outlet – 80 mm (3 in.) and 100 mm (4")
- Max. head –
FBV-322: 15.5 m / 52 ft., FBV-337: 20 m / 66 ft., FBV-437: 20 m / 66 ft.
- Max. flow –
FBV-322: 950 l/min / 238 gpm, FBV-337: 1000 l/min / 264 gpm,
FBV-437: 1100 l/min / 291 gpm, FBV-455: 1100 l/min / 291 gpm.
FBV-475: 1100 l/min / 291 gpm.
- Rigid cast iron construction – superior for heat dissipation.
- Heat-treated stainless steel 410 shaft.
- Double mechanical seals (lower silicon carbide V silicon carbide, upper carbon/ceramic) in oil chamber.
- Oil-free motor, class F, IP 68, with thermal and over-current protector.
- Ductile iron vortex impeller.
- Max. liquid temperature – 40°C (104°F).
- Standard cable length – 10 m (33 ft), or longer upon request.

✓	
	Simplex
	Duplex
	Triplex

✓	OPTIONAL EQUIPMENT
	Additional cable
	Slide away coupling
	Impeller trims
	High temp winding and seal liquids 190°F/ 88°C

Go to www.flofab.com in Our Products Section to see the Master Spec - <http://www.arcomnet.com/masterspec/>



Technical Data

✓	Model	Outlet		Elec. MOTOR			Voltage/Phase /HZ	Solid Passage		Weight	
		mm	in	Hp	Amp.			mm	in	Kgs	Lbs
					Start	Run					
	FBV322-3-208-60	80	3	2	40.5	9.5	208/3/60	47	1.9	51	112.2
	FBV322-3-230-60	80	3	2	41.2	8.6	230/3/60	47	1.9	51	112.2
	FBV322-3-460-60	80	3	2	20.5	4.3	460/3/60	47	1.9	51	112.2
	FBV322-3-575-60	80	3	2	12	3.4	575/3/60	47	1.9	51	112.2
	FBV337-3-208-60	80	3	3	58	15.9	208/3/60	52	2.0	55.5	122.1
	FBV337-3-230-60	80	3	3	60	14.3	230/3/60	52	2.0	55.5	122.1
	FBV337-3-460-60	80	3	3	32	7.2	460/3/60	52	2.0	55.5	122.1
	FBV337-3-575-60	80	3	3	25	5.7	575/3/60	52	2.0	55.5	122.1
	FBV437-3-208-60	100	4	3	58	15.9	208/3/60	52	2.0	55.5	122.1
	FBV437-3-230-60	100	4	3	60	14.3	230/3/60	52	2.0	55.5	122.1
	FBV437-3-460-60	100	4	3	32	7.2	480/3/60	52	2.0	55.5	122.1
	FBV437-3-575-60	100	4	3	25	5.7	575/3/60	52	2.0	55.5	122.1
	FBV455-3-208-60	100	4	5	-	23.8	208/3/60	52	2.0	55.5	122.1
	FBV455-3-230-60	100	4	5	-	21.5	230/3/60	52	2.0	55.5	122.1
	FBV455-3-460-60	100	4	5	-	10.8	480/3/60	52	2.0	55.5	122.1
	FBV455-3-575-60	100	4	5	-	8.6	575/3/60	52	2.0	55.5	122.1
	FBV475-3-208-60	100	4	10	-	31.7	208/3/60	52	2.0	55.5	122.1
	FBV475-3-230-60	100	4	10	-	28.7	230/3/60	52	2.0	55.5	122.1
	FBV475-3-460-60	100	4	10	-	14.3	480/3/60	52	2.0	55.5	122.1
	FBV475-3-575-60	100	4	10	-	11.5	575/3/60	52	2.0	55.5	122.1

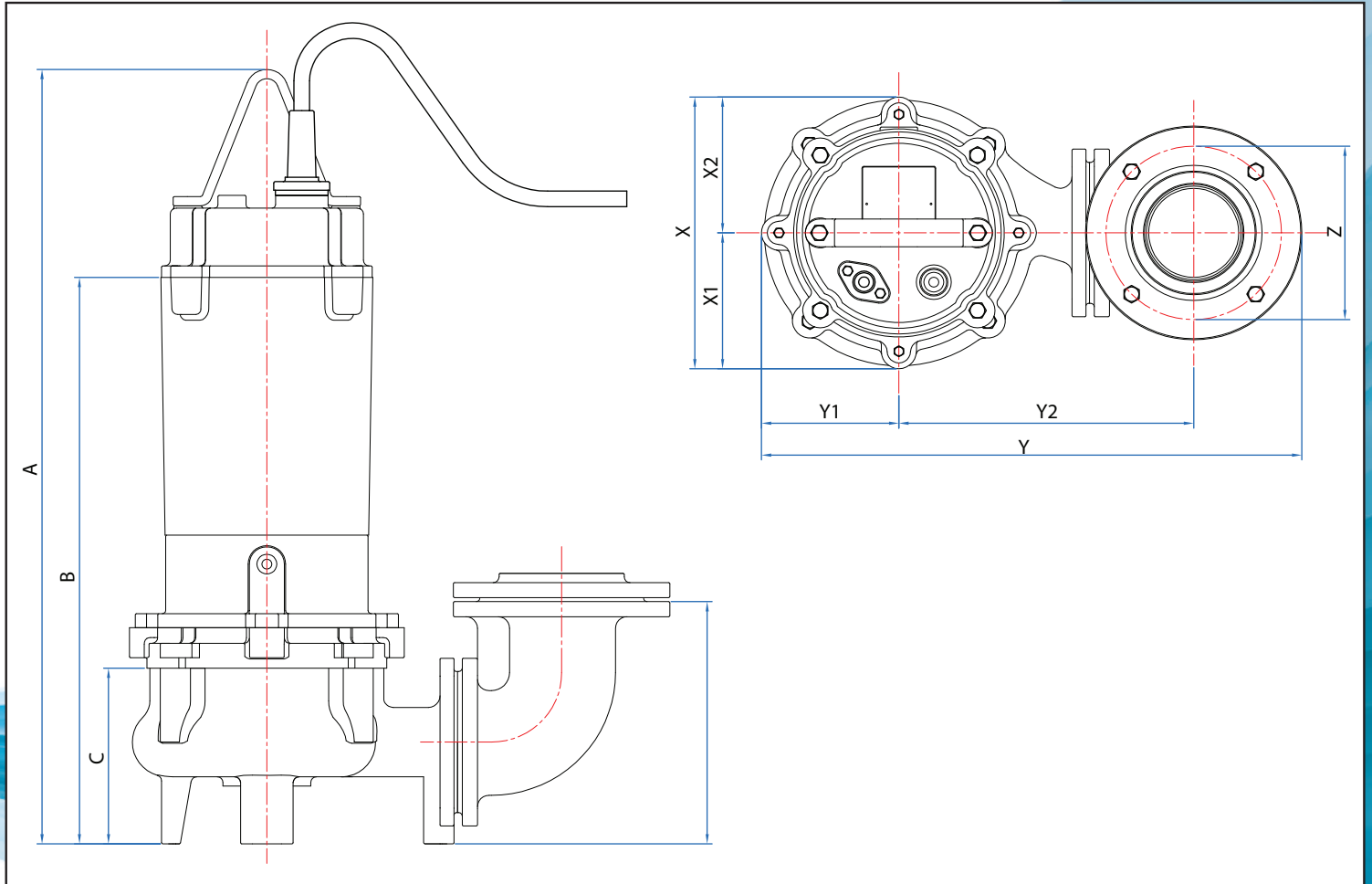


SEWAGE AND EFFLUENT PUMPS

FBV Series

● Dimension (unit: mm/in)

FBV-322 / FBV-337 / FBV-437



Type	A		B		C		D		X		Y		Z	
	mm	in	mm	in	mm	in	mm	in	mm	in	mm	in	mm	in
FBV-322, 337,437	660	25.98	495	19.49	153	6.02	218	8.58	240	9.45	462	18.19	140	5.51

Type	X1		X2		Y1		Y2	
	mm	in	mm	in	mm	in	mm	in
FBV-322, 337,437	115	4.53	125	4.92	119	4.69	252	9.92

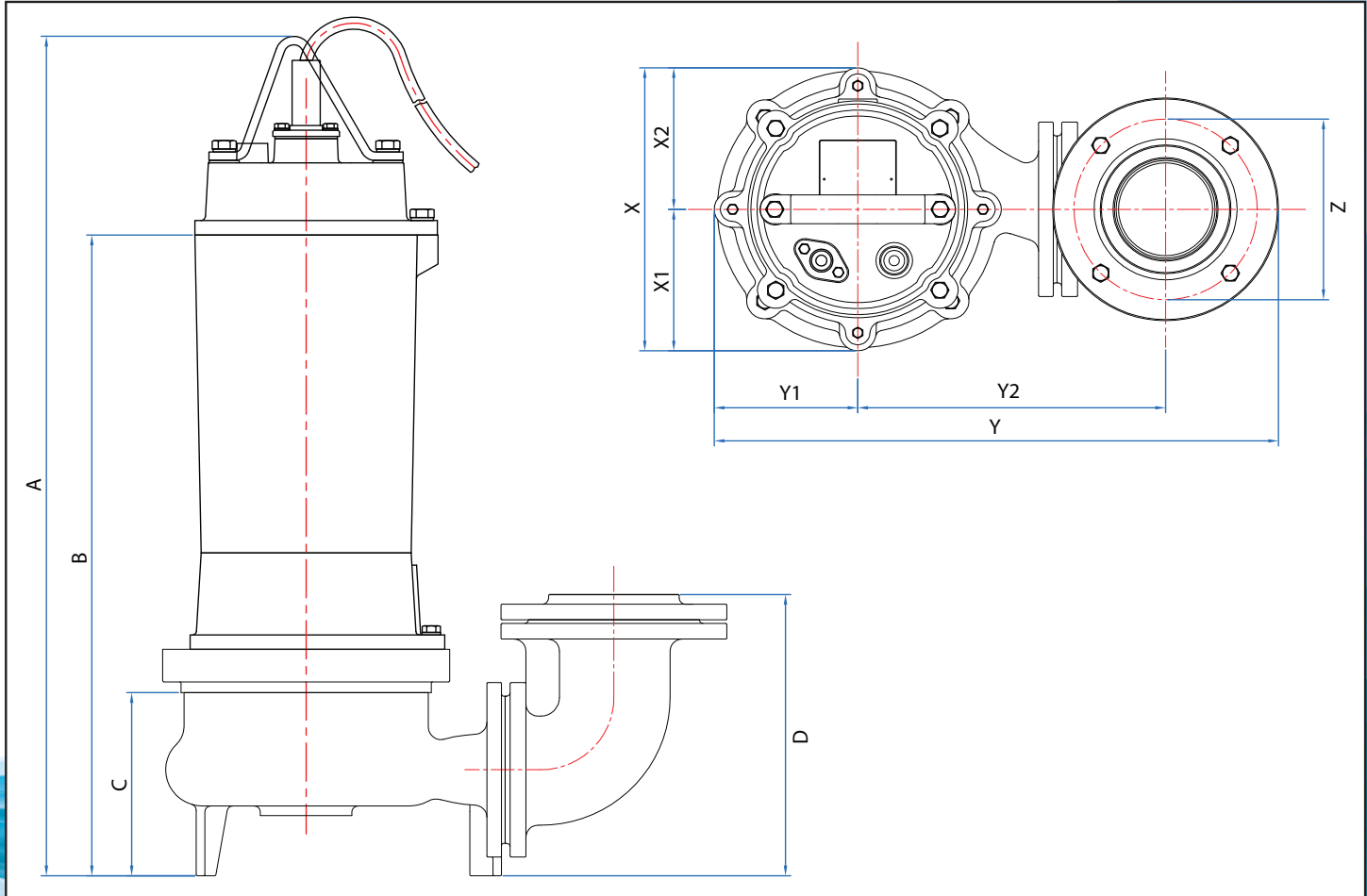


SEWAGE AND EFFLUENT PUMPS

FBV Series

● Dimension (unit :mm/in)

FBV-455 / FBV-475



Type	A		B		C		D		X		Y		Z	
	mm	in	mm	in	mm	in	mm	in	mm	in	mm	in	mm	in
FBV-455	697	27.44	532	20.94	152	5.98	233.5	9.17	240	9.45	462	18.19	140	5.51
FBV-475	709	27.91	529	20.82	152	5.98	233.5	9.17	240	9.45	462	18.19	140	5.51

Type	X1		X2		Y1		Y2	
	mm	in	mm	in	mm	in	mm	in
FBV-455	115	4.53	125	4.92	119	4.69	252	9.92
FBV-475	115	4.53	125	4.92	119	4.69	252	9.92

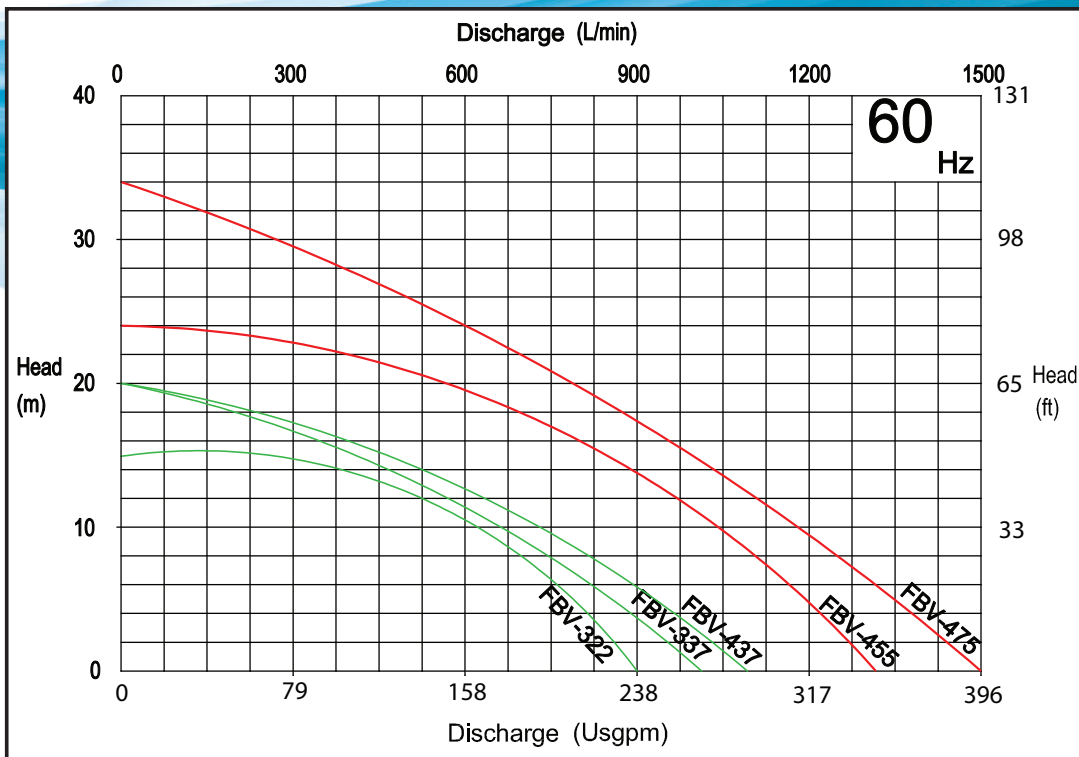
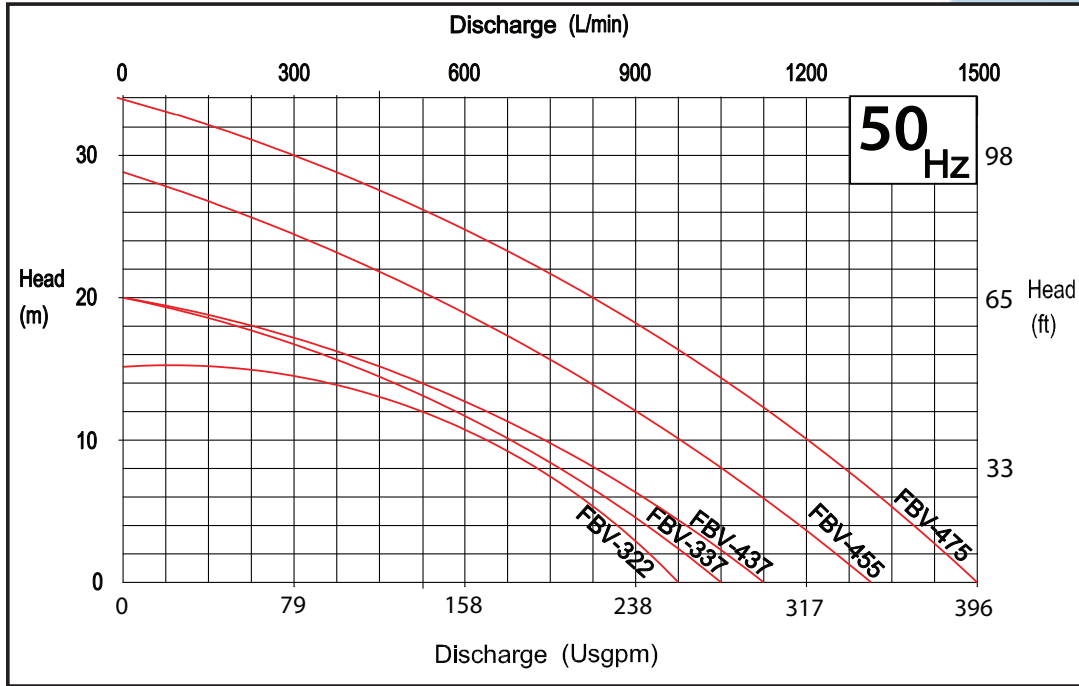


SEWAGE AND EFFLUENT PUMPS

FBV Series

● Performance Curves

FBV-322 / FBV-337 / FBV-437
FBV-455 / FBV-475



■ Stock items ■ Built to order



SEWAGE AND EFFLUENT PUMPS

FBC/FBK Series

• Sewage Cutter Pump & Sewage Non-Clog Pump

FBC-322 / FBC-337 / FBC-437
FBK-322 / FBK-337 / FBK-437

FBC Sewage Cutter Pump deal for various sewage waste water treatment.
FBK Sewage Non-Clog Pump

- FBC-322/FBK-322
- FBC-337/FBK-337
- FBC-437/FBK-437



- Outlet – 80 mm (3 in.) and 100 mm (4 in.).
- Max. head – up to 20 m / 66 ft.
- Max. flow – up to 1300 l/min / 317 gpm.
- Top cover, motor casing, and pump casing are made of rigid cast iron.
- Heat-treated stainless steel 410 shaft.
- Double mechanical seals (lower silicon carbide V silicon carbide, upper carbon / ceramic) in oil chamber.
- Oil-free motor, IP 68, with thermal & over-current protector.
- Dynamically balanced impeller –
- FBK Series: Unique two-blade non-clog impeller.
- FBC Series: Tungsten carbide steel tips incorporated with unique chopper plate to cut fibrous materials.
- Max. liquid temperature – 40°C (104°F).
- Standard cable length – 10 m (33 ft), or longer upon request.
- Solid passage: up to 37 mm (1.5 in.)
- Ideal for water treatment in sewage, and drainage from buildings and sanitary facilities.

✓	
	Simplex
	Duplex
	Triplex

✓	OPTIONAL EQUIPMENT
	Additional cable
	Slide away coupling
	Impeller trims
	High temp winding and seal liquids 190°F/ 88°C



SEWAGE AND EFFLUENT PUMPS

FBC/FBK Series

• Technical Data

✓	Model	Outlet		Elec. MOTOR			Voltage/Phase /HZ	Solid Passage		Weight	
				Hp	Amp.			mm	in	Kgs	Lbs
		mm	in		Start	Run					
	FBK322-3-208-60	80	3	2	-	9.5	208/3/60	27	1.1	55	121.0
	FBK322-3-230-60	80	3	2	-	8.6	230/3/60	27	1.1	55	121.0
	FBK322-3-460-60	80	3	2	-	4.3	460/3/60	27	1.1	55	121.0
	FBK322-3-575-60	80	3	2	-	3.4	575/3/60	27	1.1	55	121.0
	FBK337-3-208-60	80	3	3	-	15.9	208/3/60	37	1.5	59.5	130.9
	FBK337-3-230-60	80	3	3	-	14.3	230/3/60	37	1.5	59.5	130.9
	FBK337-3-460-60	80	3	3	-	7.2	460/3/60	37	1.5	59.5	130.9
	FBK337-3-575-60	80	3	3	-	5.7	575/3/60	37	1.5	59.5	130.9
	FBK437-3-208-60	100	4	3	-	15.9	208/3/60	37	1.5	59.5	130.9
	FBK437-3-230-60	100	4	3	-	14.3	230/3/60	37	1.5	59.5	130.9
	FBK437-3-460-60	100	4	3	-	7.2	460/3/60	37	1.5	59.5	130.9
	FBK437-3-575-60	100	4	3	-	5.7	575/3/60	37	1.5	59.5	130.9

✓	Model	Outlet		Elec. MOTOR			Voltage/Phase /HZ	Solid Passage		Weight	
				Hp	Amp.			mm	in	Kgs	Lbs
		mm	in		Start	Run					
	FBC322-3-208-60	80	3	2	-	9.5	208/3/60	27	1.1	55	121.0
	FBC322-3-230-60	80	3	2	-	8.6	230/3/60	27	1.1	55	121.0
	FBC322-3-460-60	80	3	2	-	4.3	460/3/60	27	1.1	55	121.0
	FBC322-3-575-60	80	3	2	-	3.4	575/3/60	27	1.1	55	121.0
	FBC337-3-208-60	80	3	3	-	15.9	208/3/60	37	1.5	59.5	130.9
	FBC337-3-230-60	80	3	3	-	14.3	230/3/60	37	1.5	59.5	130.9
	FBC337-3-460-60	80	3	3	-	7.2	460/3/60	37	1.5	59.5	130.9
	FBC337-3-575-60	80	3	3	-	5.7	575/3/60	37	1.5	59.5	130.9
	FBC437-3-208-60	100	4	3	-	15.9	208/3/60	37	1.5	59.5	130.9
	FBC437-3-230-60	100	4	3	-	14.3	230/3/60	37	1.5	59.5	130.9
	FBC437-3-460-60	100	4	3	-	7.2	460/3/60	37	1.5	59.5	130.9
	FBC437-3-575-60	100	4	3	-	5.7	575/3/60	37	1.5	59.5	130.9

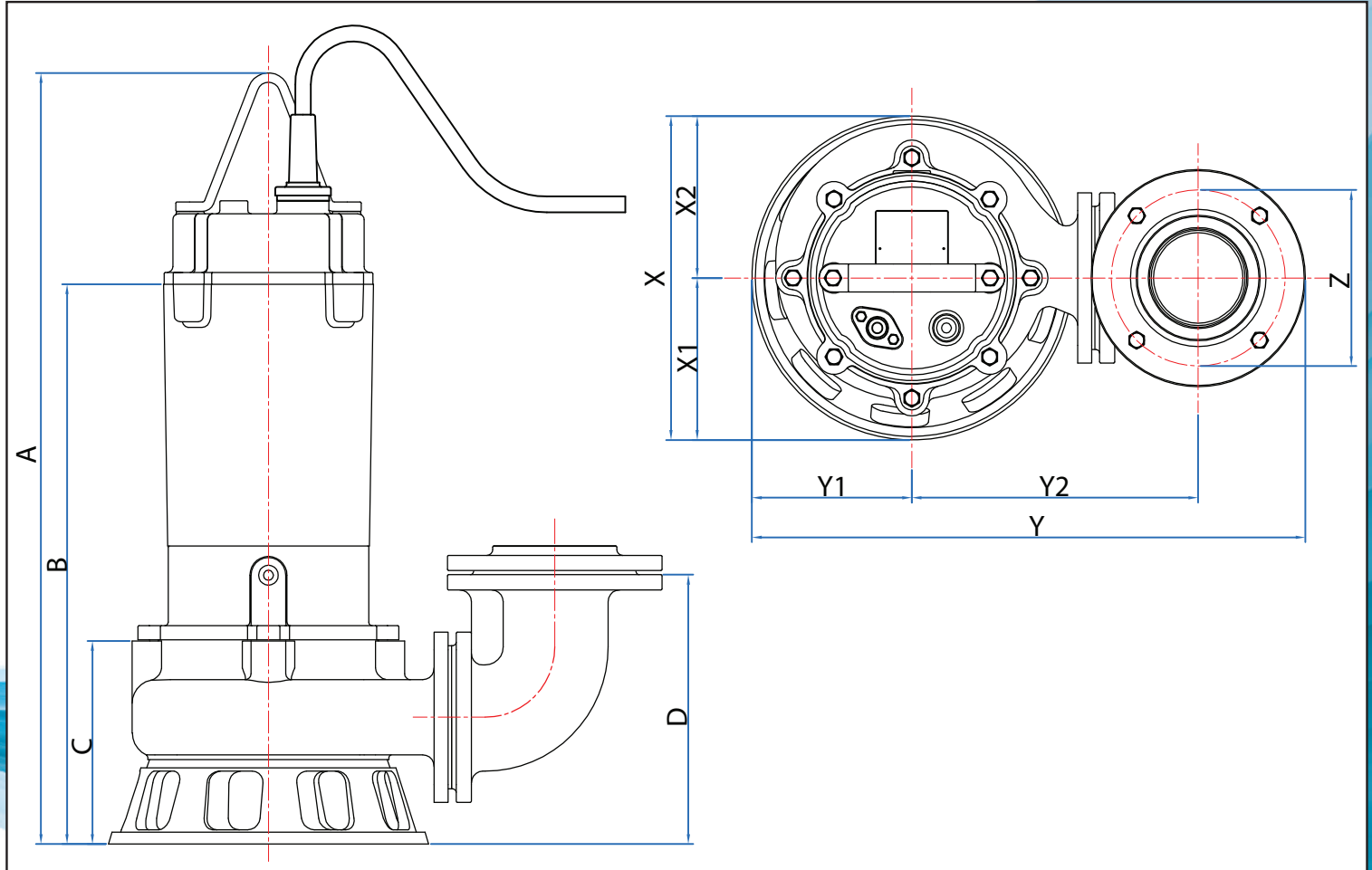


SEWAGE AND EFFLUENT PUMPS

FBK/FBC Series

● Dimension (unit :mm/in)

FBK-322 / FBK-337 / FBK-437
 FBC-322 / FBC-337 / FBC-437



Type	A		B		C		D		X		Y		Z	
	mm	in	mm	in	mm	in	mm	in	mm	in	mm	in	mm	in
FBK/C-322, 337,437	641	25.24	476	18.74	176	6.93	235	9.25	276	10.87	480	18.90	140	5.51

Type	X1		X2		Y1		Y2	
	mm	in	mm	in	mm	in	mm	in
FBK/C-322, 337,437	138	5.43	138	5.43	138	5.43	251	9.88

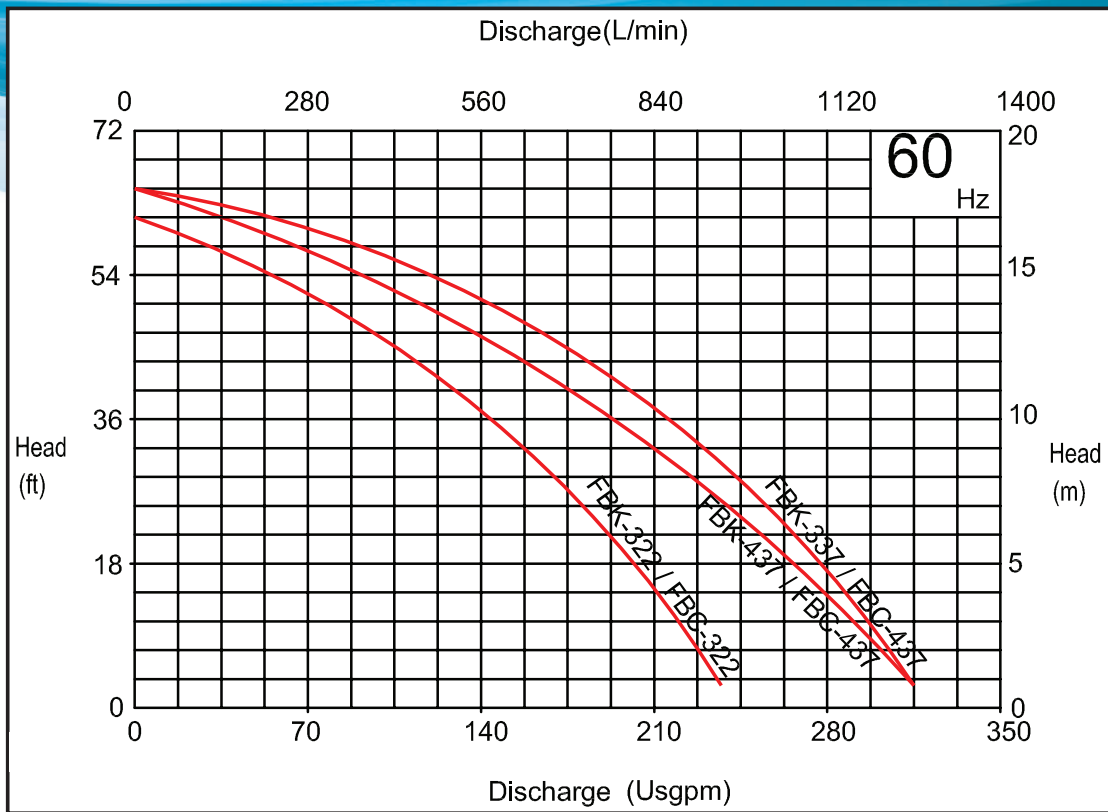
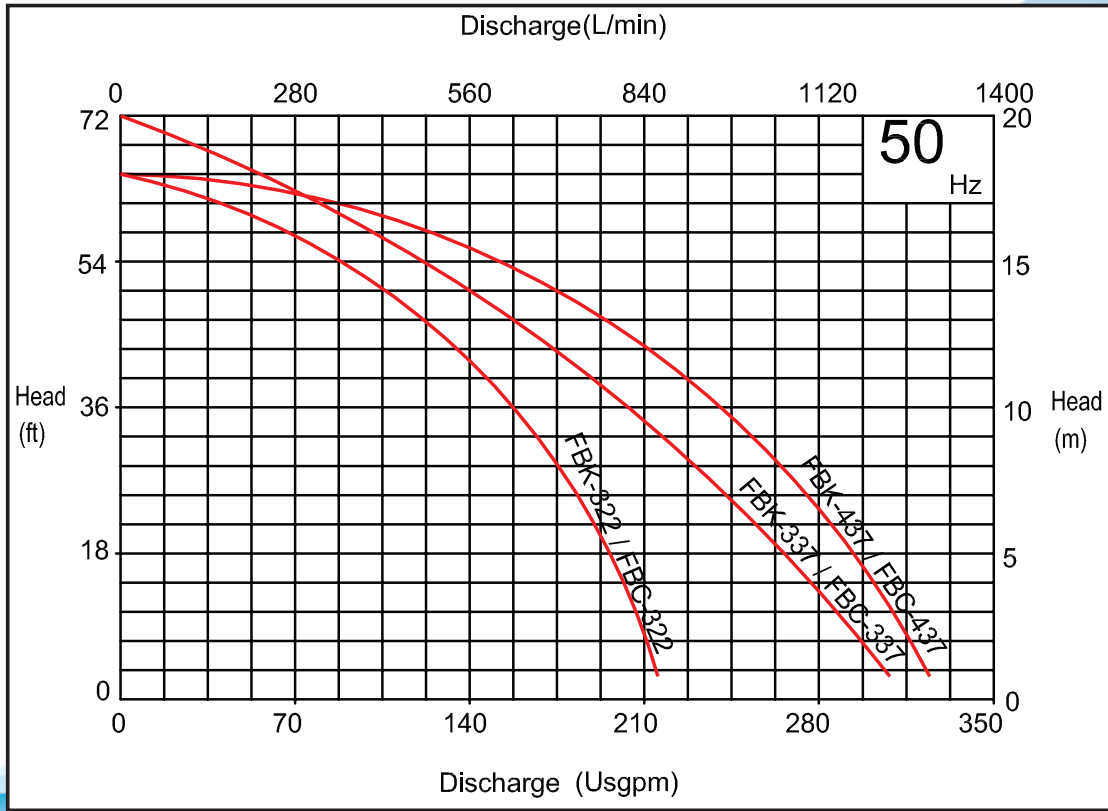


SEWAGE AND EFFLUENT PUMPS

FBK/FBC Series

● Performance Curves

FBK-322 / FBK-337 / FBK-437
FBC-322 / FBC-337 / FBC-437



Go to www.flofab.com in Our Products Section to see the Master Spec - <http://www.arcomnet.com/masterspec/>



• **Dewatering Pump**

FS-250 / FS-400 / FS-750 / FS-1500

FS and FSR Series double casing dewatering pumps carrying versatile and functional state-of-the-art design, made to withstand even the worst environment. The pumps are typically designed for 24H operations in construction fields.

- FS-250 Dewatering Pump
- FS-400
- FS-750
- FS-1500



- Outlet – 40 mm (1-1/2 in.) & 50 mm (2 in.).
- Integrated stainless steel outer case, motor casing, and strainer.
- Heat treated 410 stainless steel shaft.
- Double mechanical seals (lower silicon carbide V silicon carbide, upper carbon/ ceramic) in oil chamber.
- Dynamically balanced ductile iron impeller.
- Oil-free motor, 1 & 3 phase, with thermal and over-current protector.
- Class F insulation, IP 68 protection motor.
- Max. liquid temperature: 40°C (104°F).
- Standard cable: 6 m (20 ft.) or longer upon request.
- Water level control: available upon request, FS-250A, FS-400A, FS-750A, and FS-1500SA.

✓	
	Simplex
	Duplex
	Triplex

✓	OPTIONAL EQUIPMENT
	Additional cable
	Slide away coupling
	Impeller trims
	High temp winding and seal liquids 190°F/ 88°C

Go to www.flofab.com in Our Products Section to see the Master Spec - <http://www.arcomnet.com/masterspec/>



EFFLUENT PUMPS

FS Series

● **Technical Data**

✓	Model	Outlet		Elec. MOTOR			Voltage/Phase /HZ	Solid Passage		Weight	
		mm	in	Hp	Amp.			mm	in	Kgs	Lbs
					Start	Run					
	FS250-1-115-60	40	1 1/2	1/3	-	3.3	115/1/60	5.5	0.2	12.5	27.5
	FS250-1-208-60	40	1 1/2	1/3	-	1.5	208/1/60	5.5	0.2	12.5	27.5
	FS250-1-230-60	40	1 1/2	1/3	-	1.7	230/1/60	5.5	0.2	12.5	27.5
	FS400-1-115-60	50	2	1/2	-	5.0	115/1/60	5.5	0.2	12.5	27.5
	FS400-1-208-60	50	2	1/2	-	2.64	208/1/60	5.5	0.2	12.5	27.5
	FS400-1-230-60	50	2	1/2	-	2.5	230/1/60	5.5	0.2	12.5	27.5
	FS750-1-115-60	50	2	1/2	-	10.0	115/1/60	7	0.3	14	30.8
	FS750-1-208-60	50	2	1/2	-	5.28	208/1/60	7	0.3	14	30.8
	FS750-1-230-60	50	2	1/2	-	5.0	230/1/60	7	0.3	14	30.8
	FS750-3-208-60	50	2	1/2	-	3.2	208/3/60	7	0.3	14	30.8
	FS750-3-230-60	50	2	1/2	-	2.9	230/3/60	7	0.3	14	30.8
	FS750-3-460-60	50	2	1/2	-	1.4	460/3/60	7	0.3	14	30.8
	FS750-3-575-60	50	2	1/2	-	1.1	575/3/60	7	0.3	14	30.8
	FS1500-3-208-60	50	2	1	-	6.3	208/3/60	9	0.4	23.5	51.7
	FS1500-3-230-60	50	2	1	-	5.7	230/3/60	9	0.4	23.5	51.7
	FS1500-3-460-60	50	2	1	-	2.9	460/3/60	9	0.4	23.5	51.7
	FS1500-3-575-60	50	2	1	-	2.3	575/3/60	9	0.4	23.5	51.7

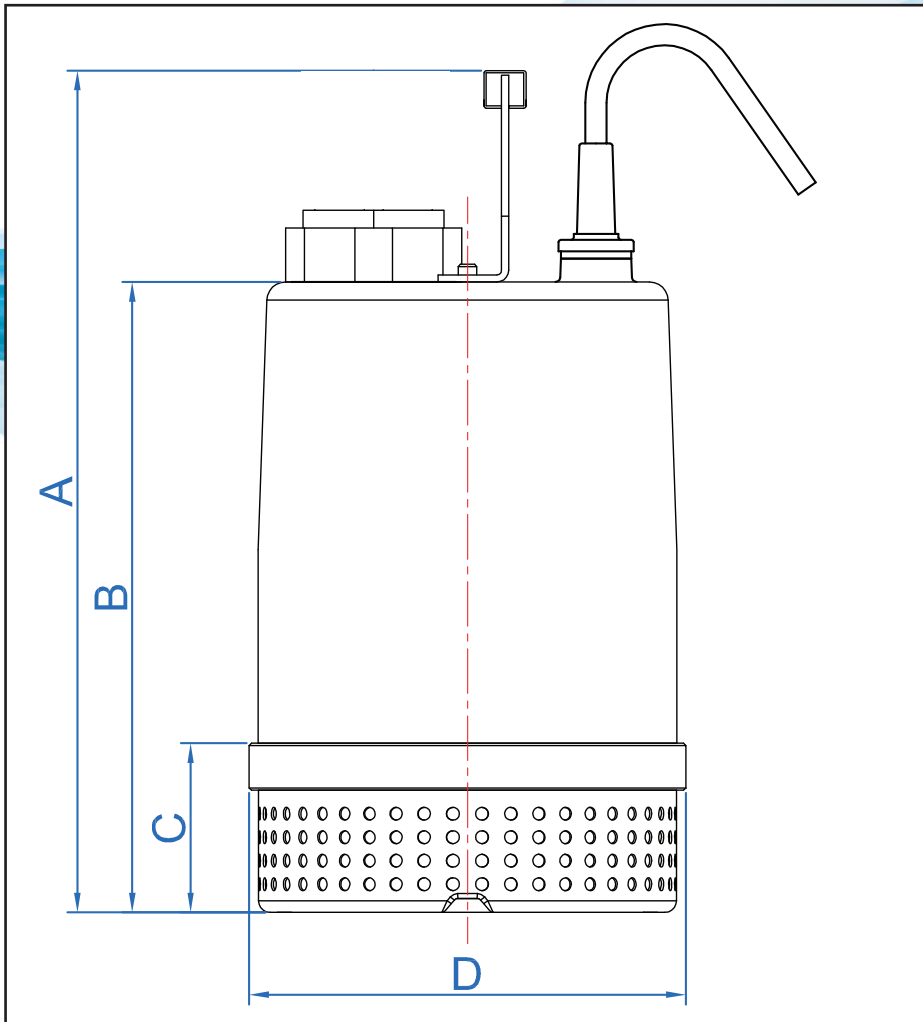


● **Applications**
FS Series

- a. Abrasion & corrosion resistance for sea water transfer and various irrigation purposes.
- b. Food and beverage processing, chemical transfer or drainage of sump containing chemicals.
- c. Wastewater discharge for households, industries, and small municipalities.
- d. Construction sites & civil engineering projects incl.:
subways, tunnels, dams,
- e. Utilities: telecommunications, power generation plants.

● **Dimension (unit :mm/in)**
FS Series

FS-250 / FS-400 / FS-750 / FS-1500



Type	A		B	
	mm	in	mm	in
FS-250	340	13.39	247	9.72
FS-400	340	13.39	247	9.72
FS-750	360	14.17	274	10.79
FS-1500	438	17.24	348	13.7

Type	C		D	
	mm	in	mm	in
FS-250	72	2.83	184	7.24
FS-400	72	2.83	184	7.24
FS-750	72	2.83	184	7.24
FS-1500	147	5.79	225	8.86

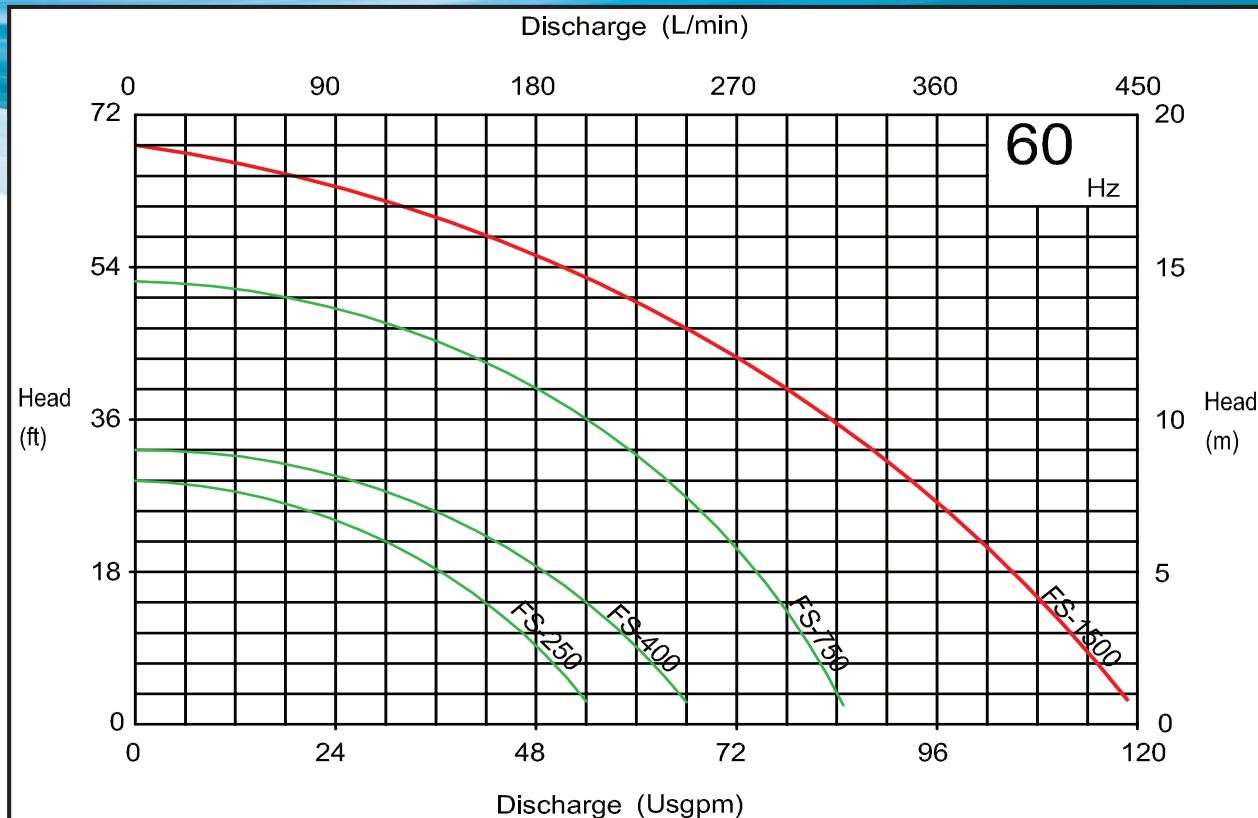
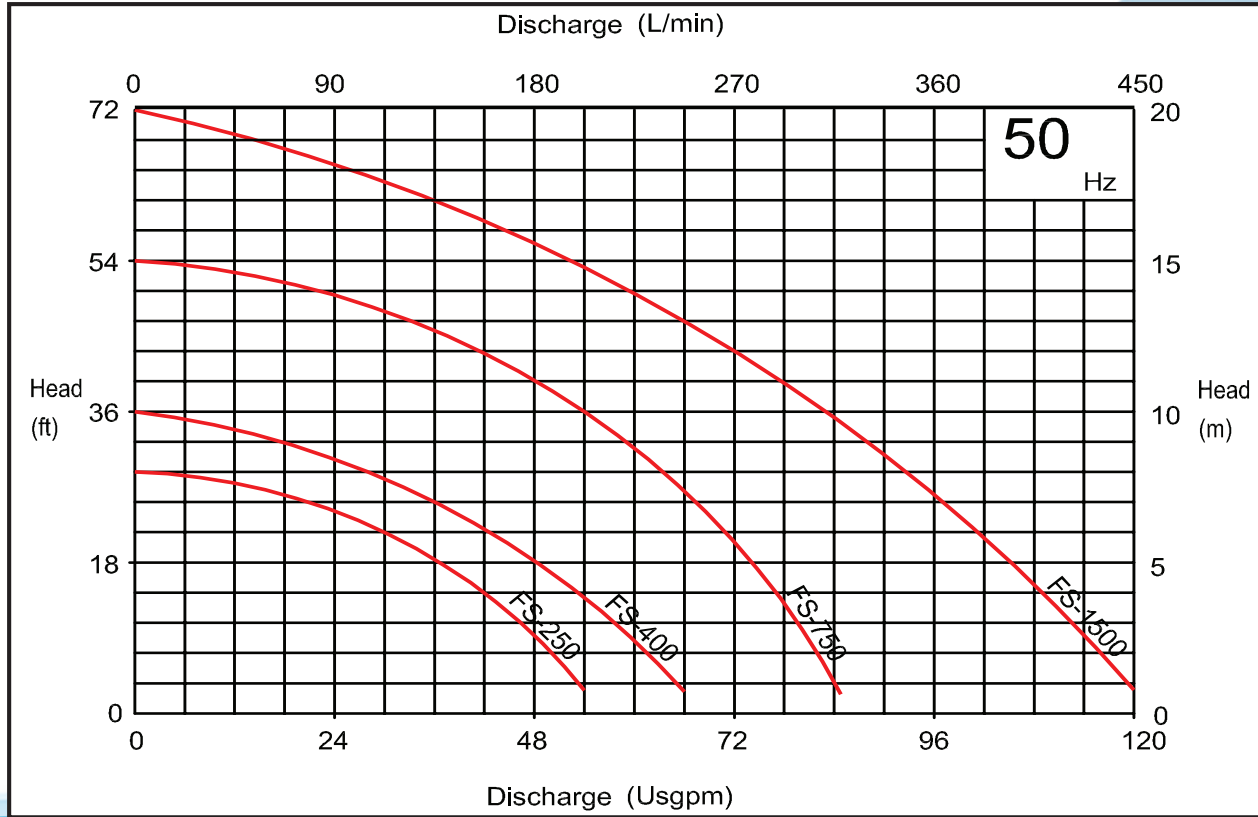


EFFLUENT PUMPS

FS Series

● Performance Curves

FS-250 / FS-400 / FS-750 / FS-1500



■ Stock items ■ Built to order

Go to www.flofab.com in Our Products Section to see the Master Spec - <http://www.arcomnet.com/masterspec/>



• Dewatering Pump

FS-475N / FS-675N

FS Series construction dewatering pumps – compact design, high performance and exceptional durability for handling abrasive liquids, widely used on general construction and civil engineering. The pumps feature an up-discharge and double casing design, the motor is always cooled by the pumped liquid for 24 H operations without concerns.

- FS-475N
- FS-675N



- Outlet – 100 mm (4 in.) or 150 mm (6 in.).
- Max. head – FS-475N: 42 m / 138 ft., FS-675N: 28 m / 92 ft.
- Max. flow –
- FS-475N: 1600 l/min / 423 gpm, FS-675N: 2250 l/min / 594 gpm.
- Compact casting design: lightweight with excellent cooling effect for 24H running.
- Heat-treated stainless steel 410 shaft.
- Double mechanical seals (lower silicon carbide V silicon carbide, upper carbon/ ceramic) in oil chamber.
- Oil-free motor, class F, IP 68, with thermal and over-current protector.
- Dynamically balanced high chrome steel impeller.
- Max. liquid temperature – 40°C (104°C).
- Standard cable length – 10 m (33 ft), or longer upon request.
- Weight: 93 Kgs (204.6 lb) for FS-475N, 97Kgs (216.4 lb) for FS-675N.
- Solid passage: 15 mm (0.6 in.)
- Max. liquid temperature – 40°C (104°C).
- Standard cable length – 10 m (33 ft), or longer upon request.
- Weight: 93 Kgs (204.6 lb) for FS-475N, 97Kgs (216.4 lb) for FS-675N.
- Solid passage: 15 mm (0.6 in.)

✓	
	Simplex
	Duplex
	Triplex

✓	OPTIONAL EQUIPMENT
	Additional cable
	Slide away coupling
	Impeller trims
	High temp winding and seal liquids 190°F/ 88°C

• Technical Data

✓	Model	Outlet		Elec. MOTOR				Rated Flow @ Head				Max. Head & Flow				Solid Passage		Weight	
		mm	in	Hp	Amp.		Voltage/Phase /HZ	50Hz		60Hz		50Hz		60Hz		mm	in	Kgs	Lbs
					Start	Run		M	L/ min	Ft	Us- gpm	M	L/ min	Ft	Us- gpm				
	FS475N-3-208-60	100	4	10	-	31.7	208/3/60	800	30	211	98	1600	42	423	138	15	0.6	93	204.6
	FS475N-3-230-60	100	4	10	-	28.7	230/3/60	800	30	211	98	1600	42	423	138	15	0.6	93	204.6
	FS475N-3-460-60	100	4	10	-	14.3	460/3/60	800	30	211	98	1600	42	423	138	15	0.6	93	204.6
	FS475N-3-575-60	100	4	10	-	11.5	575/3/60	800	30	211	98	1600	42	423	138	15	0.6	93	204.6
	FS675N-3-208-60	100	4	10	-	31.7	208/3/60	1600	15	423	49	2250	28	594	92	15	0.6	97	213.4
	FS675N-3-230-60	100	4	10	-	28.7	230/3/60	1600	15	423	49	2250	28	594	92	15	0.6	97	213.4
	FS675N-3-460-60	100	4	10	-	14.3	460/3/60	1600	15	423	49	2250	28	594	92	15	0.6	97	213.4
	FS675N-3-575-60	100	4	10	-	11.5	575/3/60	1600	15	423	49	2250	28	594	92	15	0.6	97	213.4

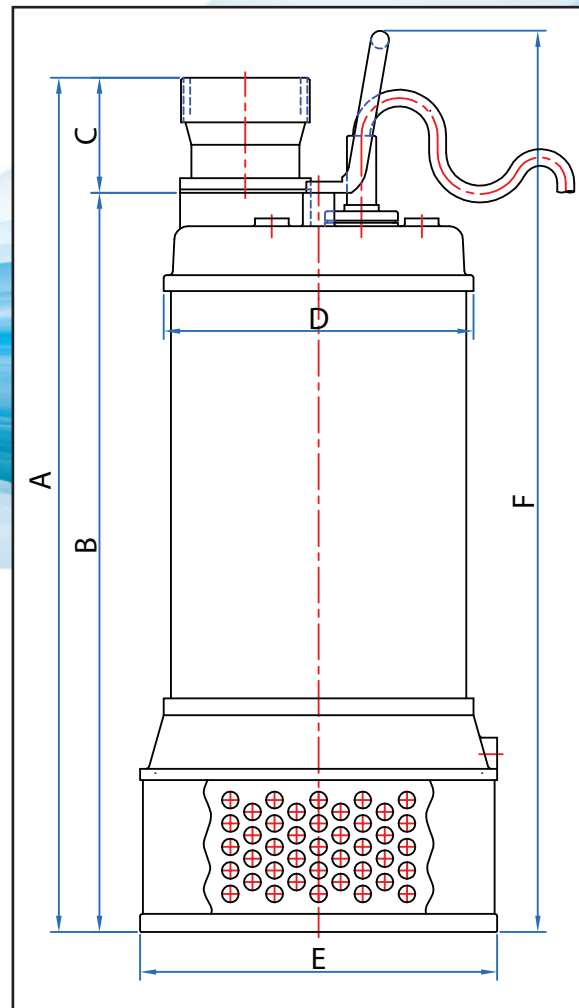


● Applications FS Series

- a. Abrasion & corrosion resistance for sea water transfer and various irrigation purposes.
- b. Food and beverage processing, chemical transfer or drainage of sump containing chemicals.
- c. Wastewater discharge for households, industries, and small municipalities.
- d. Construction sites & civil engineering projects incl.:
subways, tunnels, dams,
- e. Utilities: telecommunications, power generation plants.

● Dimension (unit :mm/in) FS Series

FS-475N / FS-675N

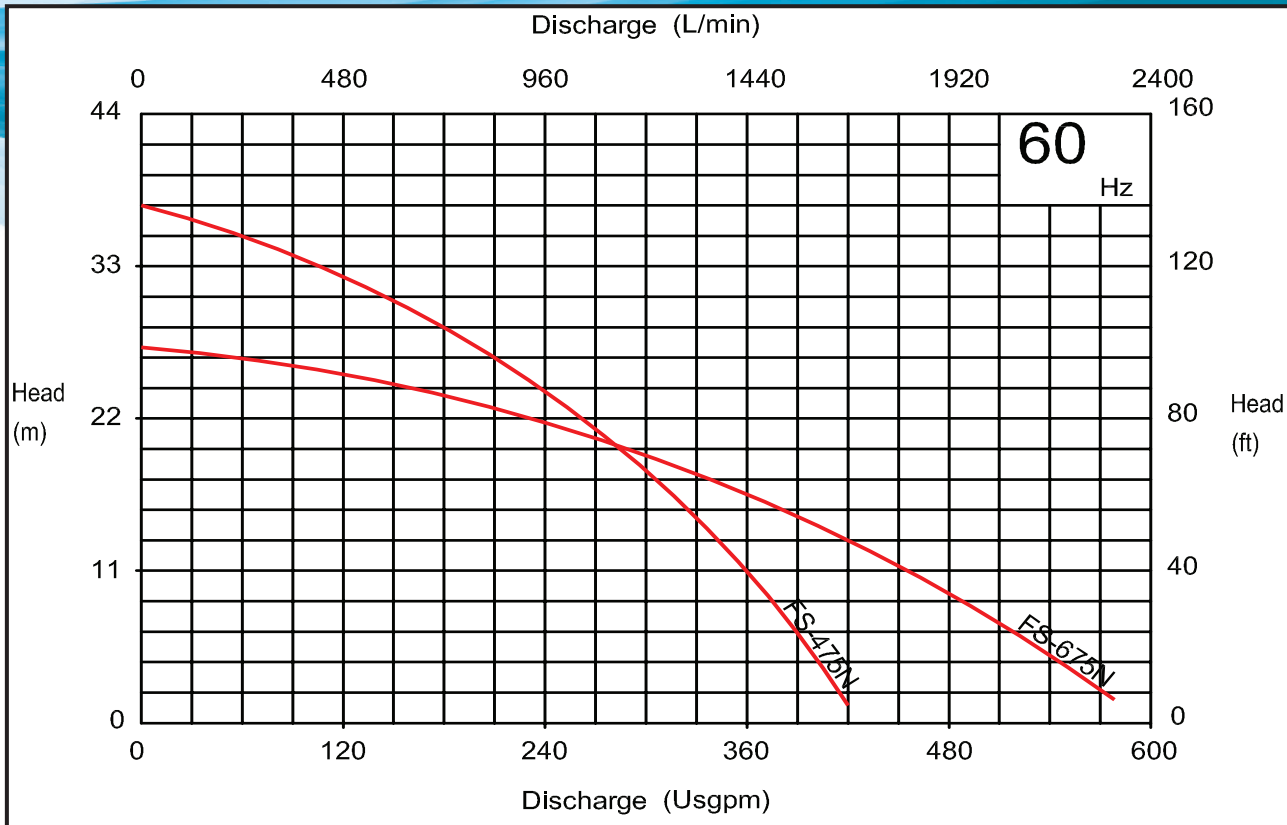
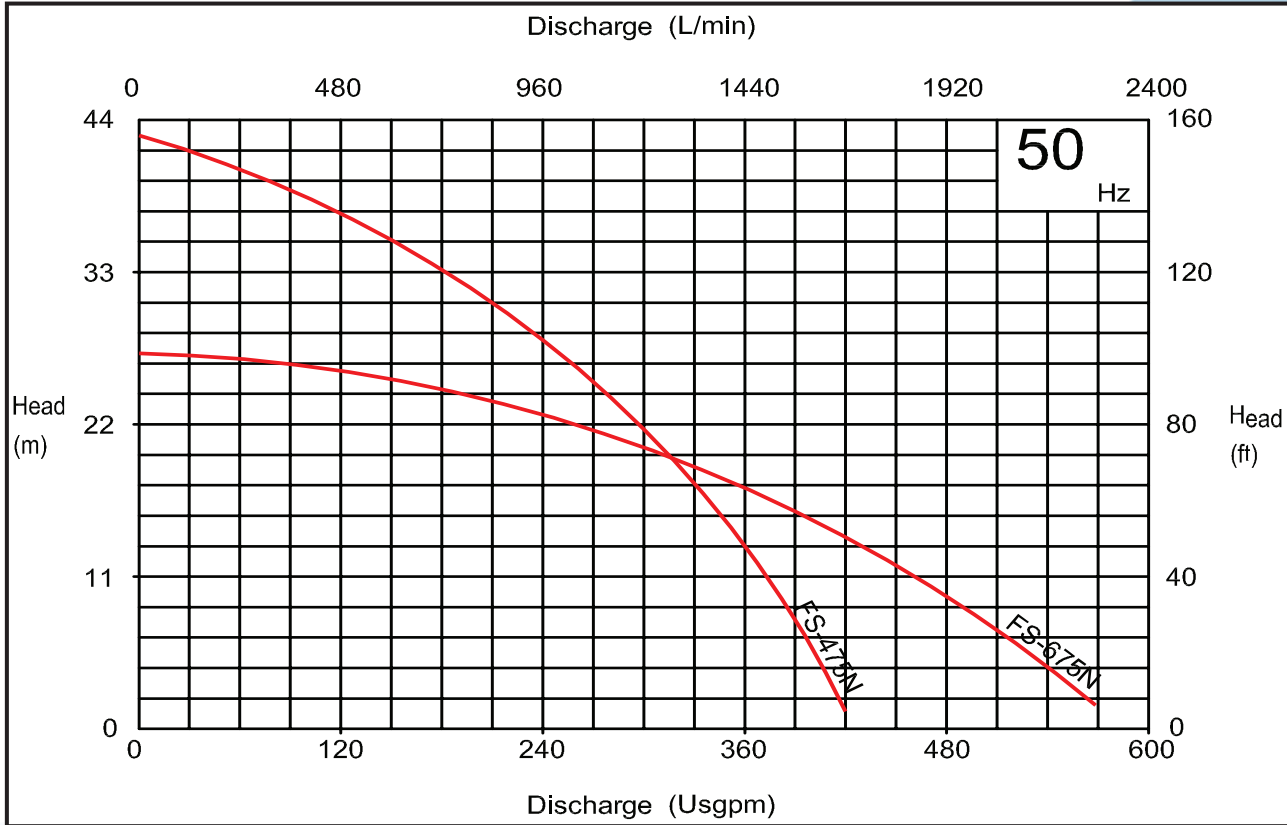


Type	A		B		C		D		E		F	
	mm	in	mm	in	mm	in	mm	in	mm	in	mm	in
FS-475N, 675N	765	30.12	662	26.06	103	4.06	275	10.83	317	12.48	807	31.77



● Performance Curves

FS-475N / FS-675N



■ Stock items ■ Built to order

Go to www.flofab.com in Our Products Section to see the Master Spec - <http://www.arcomnet.com/masterspec/>



EFFLUENT PUMPS

FS Series

● **Dewatering Pump**

**FS-215 / FS-315 / FS-222 / FS-322 / FS-237
FS-337 / FS-437 / FS-355 / FS-455**

FS Series construction dewatering pumps – compact design, high performance and exceptional durability for handling abrasive liquids, widely used on general construction and civil engineering. The pumps feature an up-discharge and double casing design, the motor is always cooled by the pumped liquid for 24 H operations without concerns.



- FS-215 / FS-315 Dewatering Pump
- FS-222 / FS-322
- FS-237 / FS-337 / FS-437
- FS-355 / FS-455

- Outlet – 40 mm (1-1/4 in.), 50 mm (2 in.), and 80 mm (3 in.).
- Cast iron construction – superior heat dissipation.
- Heat treated 410 stainless steel shaft.
- Double mechanical seals (Carbon-Ceramic + Carbon-Ceramic) in oil chamber.
- Dynamically balanced cast iron impeller.
- Oil-free motor, 1 & 3 phase, with built-in thermal protector.
- Max. liquid temperature: 40°C (104°F).
- Standard cable: 6 m (20 ft.) or longer upon request.
- Tethered float switch is available: LB-25A,...,LB-315A(T)

✓	
	Simplex
	Duplex
	Triplex

✓	OPTIONAL EQUIPMENT
	Additional cable
	Slide away coupling
	Impeller trims
	High temp winding and seal liquids 190°F/ 88°C

Go to www.flofab.com in Our Products Section to see the Master Spec - <http://www.arcomnet.com/masterspec/>



Technical Data

✓	Model	Outlet		Elec. MOTOR			Voltage/Phase /HZ	Solid Passage		Weight	
				Hp	Amp.			mm	in	Kgs	Lbs
		mm	in		Start	Run					
	FS215-1-208-60	50	2	1	-	10.57	208/1/60	9	0.4	34.5	75.9
	FS215-1-230-60	50	2	1	-	10	230/1/60	9	0.4	34.5	75.9
	FS215-3-208-60	50	2	1	-	6.3	208/3/60	9	0.4	34.5	75.9
	FS215-3-230-60	50	2	1	-	5.7	230/3/60	9	0.4	34.5	75.9
	FS215-3-460-60	50	2	1	-	2.9	460/3/60	9	0.4	34.5	75.9
	FS215-3-575-60	50	2	1	-	2.3	575/3/60	9	0.4	34.5	75.9
	FS315-1-208-60	80	3	1	-	10.57	208/1/60	9	0.4	34.5	75.9
	FS315-1-230-60	80	3	1	-	10	230/1/60	9	0.4	34.5	75.9
	FS315-3-208-60	80	3	1	-	6.3	208/3/60	9	0.4	34.5	75.9
	FS315-3-230-60	80	3	1	-	5.7	230/3/60	9	0.4	34.5	75.9
	FS315-3-460-60	80	3	1	-	2.9	460/3/60	9	0.4	34.5	75.9
	FS315-3-575-60	80	3	1	-	2.3	575/3/60	9	0.4	34.5	75.9
	FS222-3-208-60	50	2	2	-	9.5	208/3/60	9	0.4	36.5	80.3
	FS222-3-230-60	50	2	2	-	8.6	230/3/60	9	0.4	36.5	80.3
	FS222-3-460-60	50	2	2	-	4.3	460/3/60	9	0.4	36.5	80.3
	FS222-3-575-60	50	2	2	-	3.4	575/3/60	9	0.4	36.5	80.3
	FS322-3-208-60	80	3	2	-	9.5	208/3/60	9	0.4	36.5	80.3
	FS322-3-230-60	80	3	2	-	8.6	230/3/60	9	0.4	36.5	80.3
	FS322-3-460-60	80	3	2	-	4.3	460/3/60	9	0.4	36.5	80.3
	FS322-3-575-60	80	3	2	-	3.4	575/3/60	9	0.4	36.5	80.3
	FS237-3-208-60	50	2	5	-	15.9	208/3/60	10	0.4	61	134.2
	FS237-3-230-60	50	2	5	-	14.3	230/3/60	10	0.4	61	134.2
	FS237-3-460-60	50	2	5	-	7.2	460/3/60	10	0.4	61	134.2
	FS237-3-575-60	50	2	5	-	5.7	575/3/60	10	0.4	61	134.2
	FS337-3-208-60	80	3	5	-	15.9	208/3/60	10	0.4	61.5	135.3
	FS337-3-230-60	80	3	5	-	14.3	230/3/60	10	0.4	61.5	135.3
	FS337-3-460-60	80	3	5	-	7.2	460/3/60	10	0.4	61.5	135.3
	FS337-3-575-60	80	3	5	-	5.7	575/3/60	10	0.4	61.5	135.3
	FS437-3-208-60	100	4	5	-	15.9	208/3/60	10	0.4	62	136.4
	FS437-3-230-60	100	4	5	-	14.3	230/3/60	10	0.4	62	136.4
	FS437-3-460-60	100	4	5	-	7.2	460/3/60	10	0.4	62	136.4
	FS437-3-575-60	100	4	5	-	5.7	575/3/60	10	0.4	62	136.4
	FS355-3-208-60	80	3	5	-	10.8	208/3/60	10	0.4	66.5	146.3
	FS355-3-230-60	80	3	5	-	8.6	230/3/60	10	0.4	66.5	146.3
	FS355-3-460-60	80	3	5	-	10.8	460/3/60	10	0.4	66.5	146.3
	FS355-3-575-60	80	3	5	-	8.6	575/3/60	10	0.4	66.5	146.3
	FS455-3-208-60	100	4	5	-	23.8	208/3/60	10	0.4	67	147.4
	FS455-3-230-60	100	4	5	-	21.5	230/3/60	10	0.4	67	147.4
	FS455-3-460-60	100	4	5	-	10.8	460/3/60	10	0.4	67	147.4
	FS455-3-575-60	100	4	5	-	8.6	575/3/60	10	0.4	67	147.4



● **Applications**
FS Series

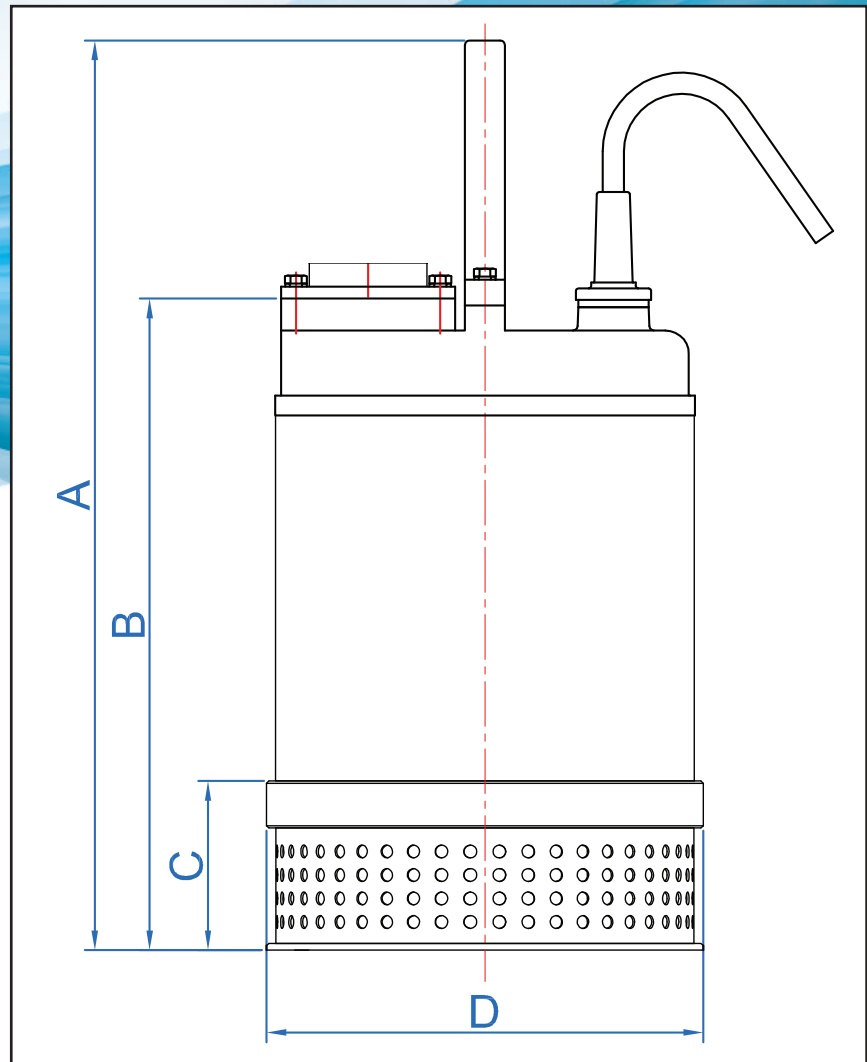
- a. Abrasion & corrosion resistance for sea water transfer and various irrigation purposes.
- b. Food and beverage processing, chemical transfer or drainage of sump containing chemicals.
- c. Wastewater discharge for households, industries, and small municipalities.
- d. Construction sites & civil engineering projects incl.:
subways, tunnels, dams,
- e. Utilities: telecommunications, power generation plants.

● **Dimension (unit :mm/in)**
FS Series

FS-215 / FS-315 / FS-222 / FS-322 / FS-237
FS-337 / FS-437 / FS-355 / FS-455

Type	A		B	
	mm	in	mm	in
FS-215	573	22.56	435	17.13
FS-315	573	22.56	435	17.13
FS-222	608	23.94	468	18.43
FS-322	608	23.94	468	18.43
FS-237	642	25.28	495	19.49
FS-337	642	25.28	495	19.49
FS-437	642	25.28	495	19.49
FS-355	660	25.98	526	20.71
FS-455	660	25.98	526	20.71

Type	C		D	
	mm	in	mm	in
FS-215	107	4.21	240	9.45
FS-315	107	4.21	240	9.45
FS-222	107	4.21	240	9.45
FS-322	107	4.21	240	9.45
FS-237	132	5.20	280	11.02
FS-337	132	5.20	280	11.02
FS-437	132	5.20	280	11.02
FS-355	132	5.20	280	11.02
FS-455	132	5.20	280	11.02





EFFLUENT PUMPS

FS Series

• Dewatering Pump

FS-475 / FS-675 / FS-4110 / FS-6110

FS Series construction dewatering pumps – compact design, high performance and exceptional durability for handling abrasive liquids, widely used on general construction and civil engineering. The pumps feature an up-discharge and double casing design, the motor is always cooled by the pumped liquid for 24 H operations without concerns.



- FS-475 / FS-675 Dewatering Pump
- FS-4110 / FS-6110

- Outlet – 100 mm (4 in.) & 150 mm (6 in.).
- Max. head – FS-475: 40 m / 135 ft, FS-675: 28 m / 92 ft.
- FS-4110: 48.5 m / 167 ft., FS-6110: 32.5 m / 105 ft.
- Max. flow – FS-475: 1400 l/min / 449 gpm, FS-675: 2250 l/min / 660 gpm.
- FS-4110: 1450 l/min / 409 gpm, FS-6110: 2450 l/min / 674 gpm.
- Fine casting discharge outlet and top cover.
- Rigid stainless steel outer case and strainer.
- Heat treated 410 stainless steel shaft.
- Double mechanical seals (lower silicon carbide V silicon carbide, upper carbon/ceramic) in oil chamber.
- Dynamically balanced high chrome steel impeller.
- Oil-free motor with thermal and over-current protector.
- Class F insulation, IP 68 protection motor.
- Max. liquid temperature: 40°C (104°F).
- Standard cable: 10 m (33 ft.) or longer upon request.
- Solid pass.: 15 mm (0.6 in.) Weight - FS-475 & 675: 136 kgs (300 lb), FS-4110 & 6110: 137 kgs (301 lb)
- Discharge, volute, and impeller are easily inter-changeable for different performance.

✓	
	Simplex
	Duplex
	Triplex

✓	OPTIONAL EQUIPMENT
	Additional cable
	Slide away coupling
	Impeller trims
	High temp winding and seal liquids 190°F/ 88°C

• Technical Data

✓	Model	Outlet		Elec. MOTOR			Voltage/Phase /HZ	Solid Passage		Weight	
		mm	in	Hp	Amp.			mm	in	Kgs	Lbs
					Start	Run					
	FS475-3-208-60	50	4	10	-	31.7	208/3/60	15	0.6	134	294.8
	FS475-3-230-60	50	4	10	-	28.7	230/3/60	15	0.6	134	294.8
	FS475-3-460-60	50	4	10	-	14.3	460/3/60	15	0.6	134	294.8
	FS475-3-575-60	50	4	10	-	11.5	575/3/60	15	0.6	134	294.8
	FS675-3-208-60	50	6	10	-	31.7	208/3/60	15	0.6	136	299.2
	FS675-3-230-60	50	6	10	-	28.7	230/3/60	15	0.6	136	299.2
	FS675-3-460-60	50	6	10	-	14.3	460/3/60	15	0.6	136	299.2
	FS675-3-575-60	50	6	10	-	11.5	575/3/60	15	0.6	136	299.2
	FS4110-3-208-60	100	4	15	-	47.6	208/3/60	15	0.6	135	297.0
	FS4110-3-230-60	100	4	15	-	43.0	230/3/60	15	0.6	135	297.0
	FS4110-3-460-60	100	4	15	-	21.5	460/3/60	15	0.6	135	297.0
	FS4110-3-575-60	100	4	15	-	17.2	575/3/60	15	0.6	135	297.0
	FS6110-3-208-60	150	6	15	-	47.6	208/3/60	15	0.6	137	301.4
	FS6110-3-230-60	150	6	15	-	43.0	230/3/60	15	0.6	137	301.4
	FS6110-3-460-60	150	6	15	-	21.5	460/3/60	15	0.6	137	301.4
	FS6110-3-575-60	150	6	15	-	17.2	575/3/60	15	0.6	137	301.4

Go to www.flofab.com in Our Products Section to see the Master Spec - <http://www.arcomnet.com/masterspec/>



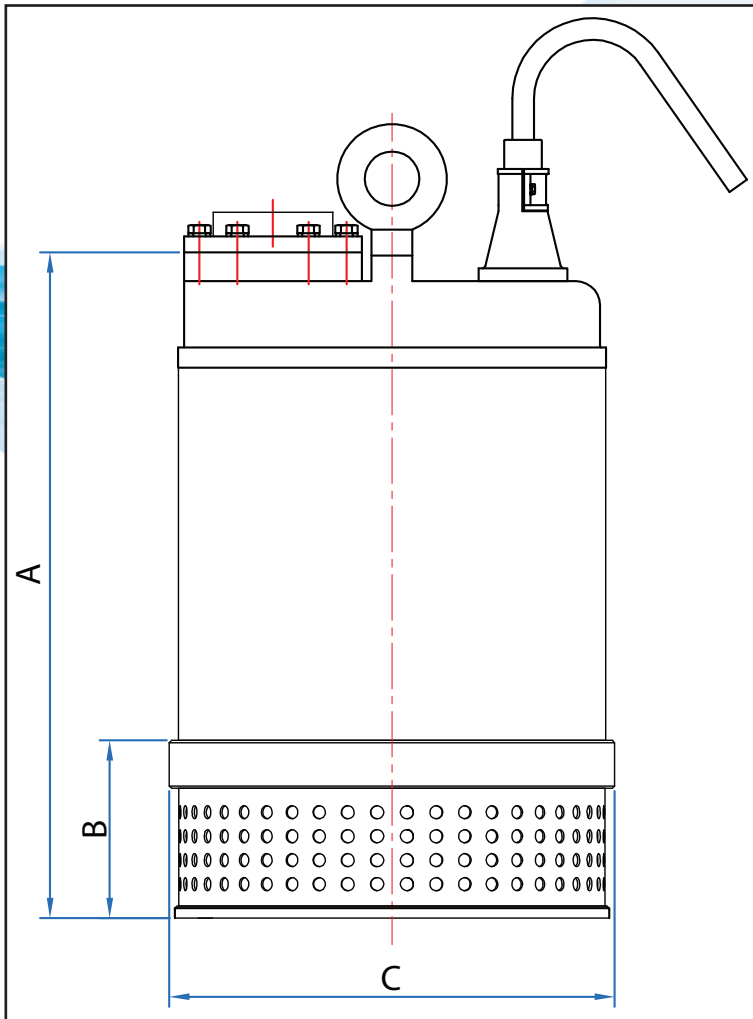
EFFLUENT PUMPS

● Applications FS Series

- a. Abrasion & corrosion resistance for sea water transfer and various irrigation purposes.
- b. Food and beverage processing, chemical transfer or drainage of sump containing chemicals.
- c. Wastewater discharge for households, industries, and small municipalities.
- d. Construction sites & civil engineering projects incl.:
subways, tunnels, dams,
- e. Utilities: telecommunications, power generation plants.

● Dimension (unit :mm/in) FS Series

FS-475 / FS-675
FS-4110 / FS-6110



Type	A		B		C	
	mm	in	mm	in	mm	in
FS-475	720	28.35	195	7.68	352	13.86
FS-675	720	28.35	195	7.68	352	13.86
FS-4110	720	28.35	195	7.68	352	13.86
FS-6110	720	28.35	195	7.68	352	13.86

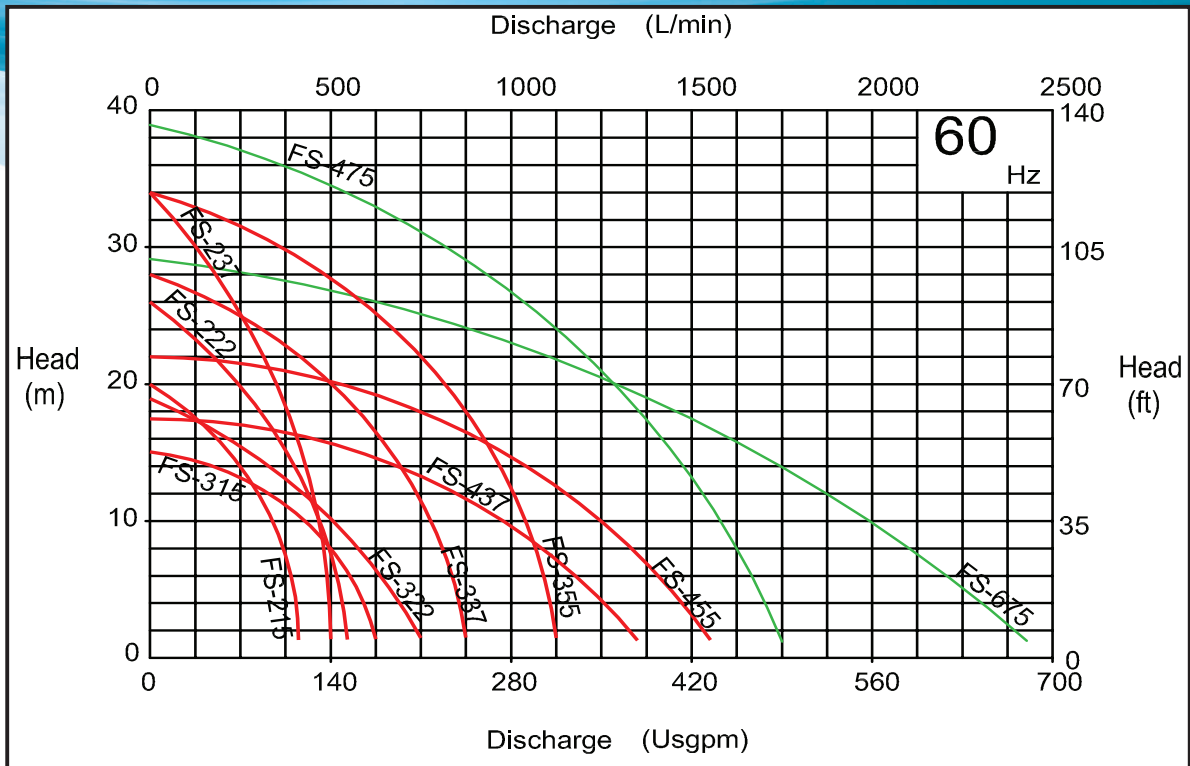
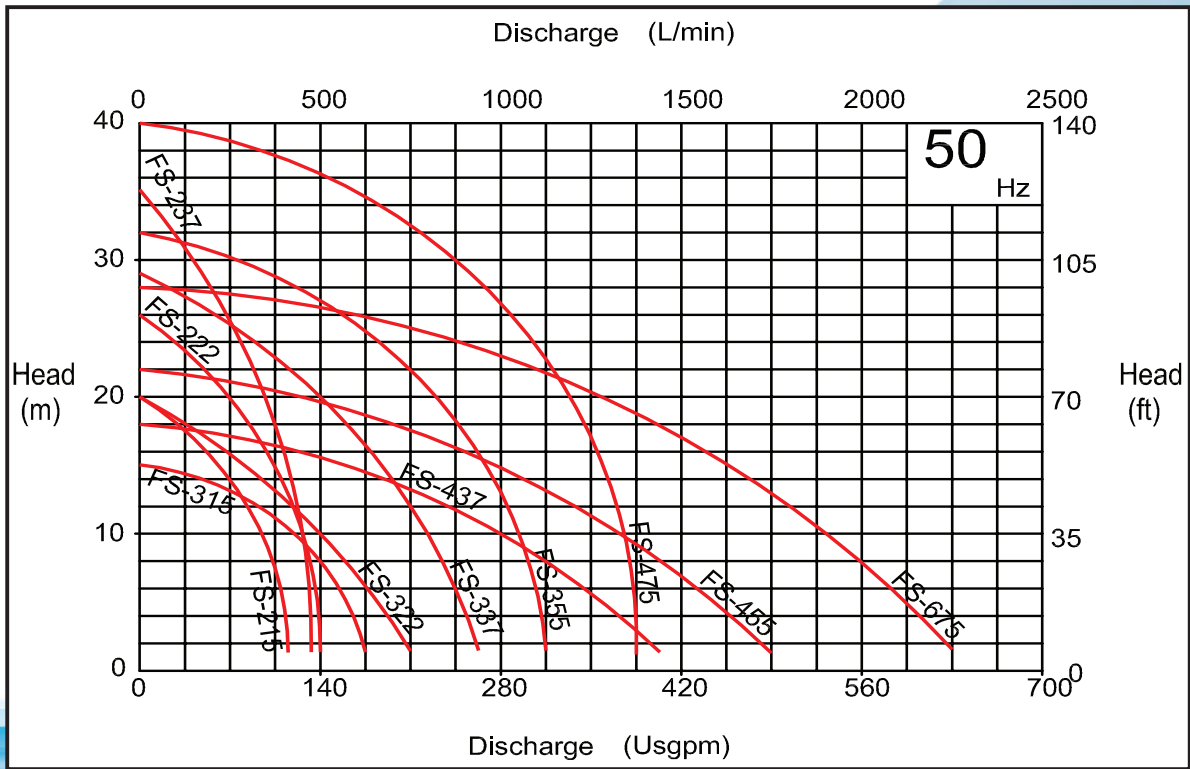


EFFLUENT PUMPS

FS Series

● Performance Curves

FS-215 / FS-315 / FS-222 / FS-322 / FS-237
 FS-337 / FS-437 / FS-355 / FS-455
 FS-475 / FS-675



Go to www.flofab.com in Our Products Section to see the Master Spec - <http://www.arcomnet.com/masterspec/>

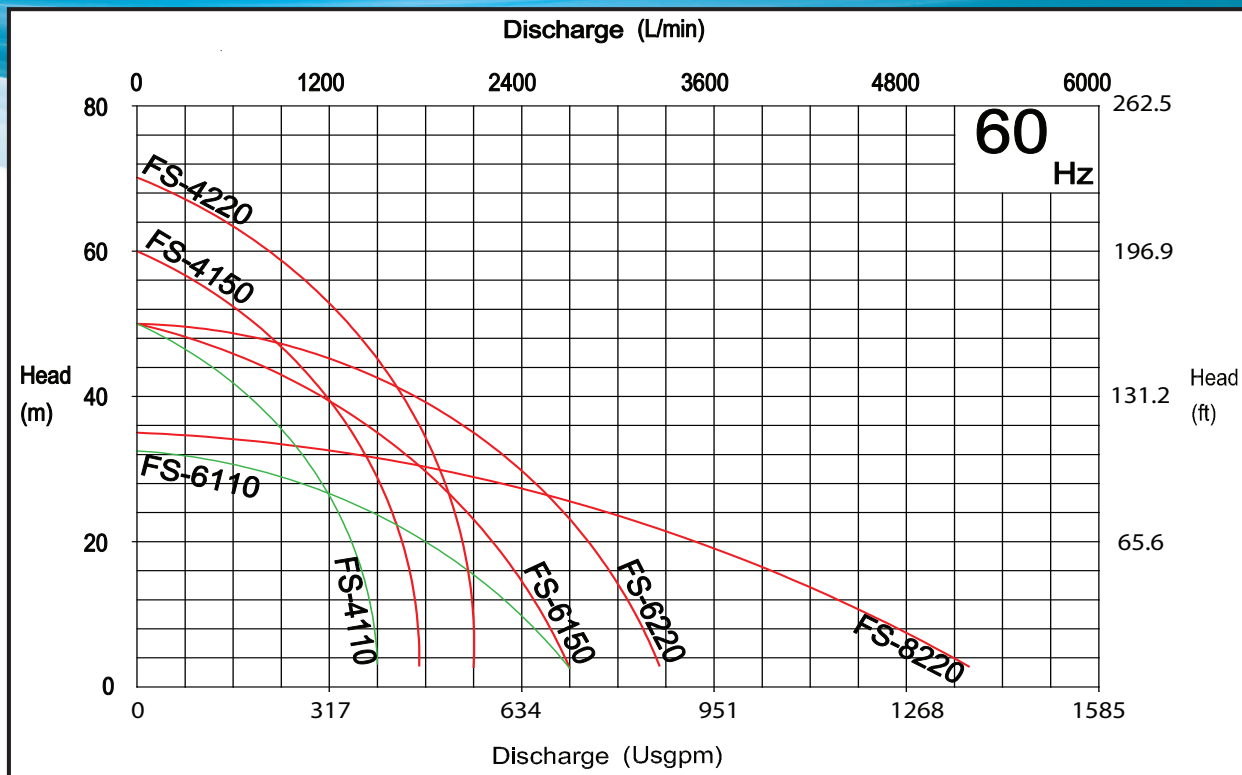
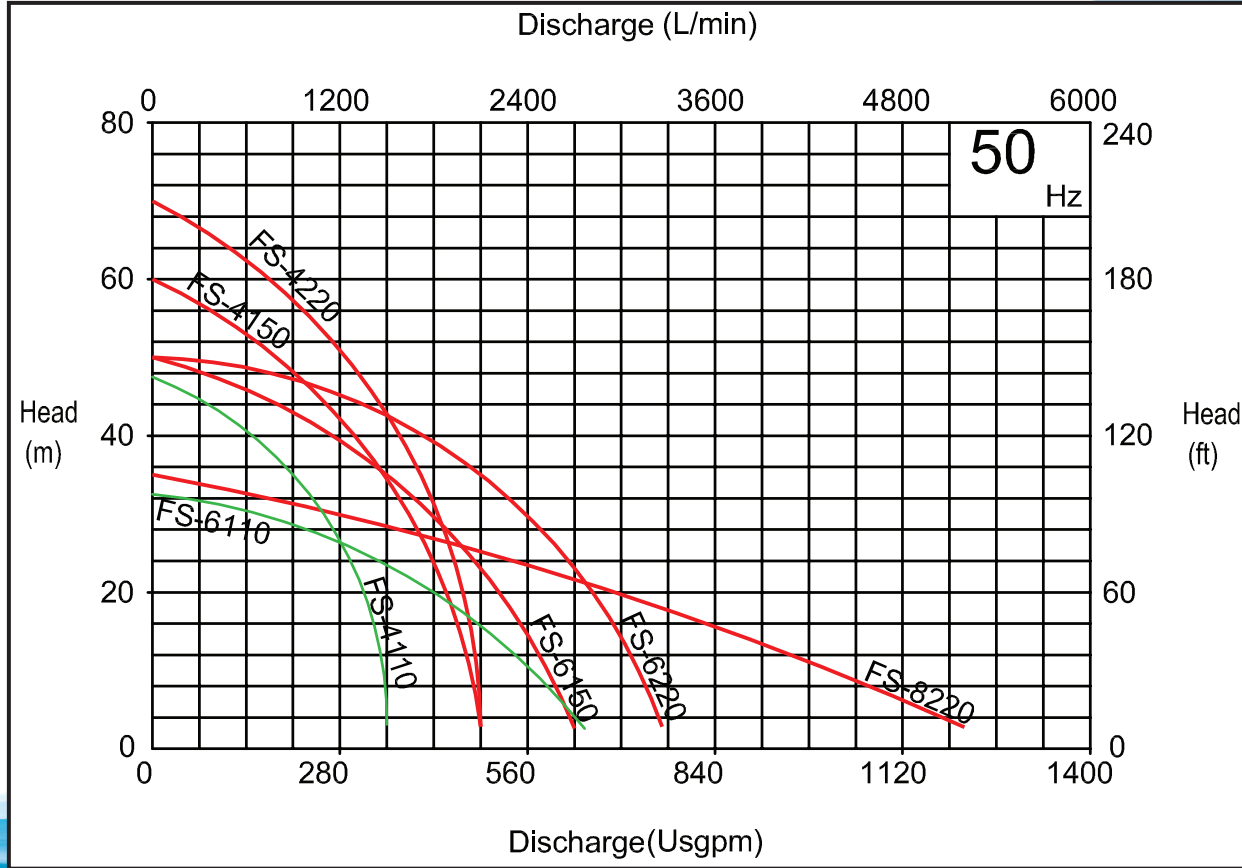


EFFLUENT PUMPS

FS Series

● Performance Curves

FS-4110 / FS-6110



■ Stock items ■ Built to order

Go to www.flofab.com in Our Products Section to see the Master Spec - <http://www.arcomnet.com/masterspec/>



• Dewatering Pump

FS-4150 / FS-6150 / FS-4220
FS-6220 / FS-8220

FS Series construction dewatering pumps – compact design, high performance and exceptional durability for handling abrasive liquids, widely used on general construction and civil engineering. The pumps feature an up-discharge and double casing design, the motor is always cooled by the pumped liquid for 24 H operations without concerns.

- FS-4150 / FS-6150 Dewatering Pump
- FS-4220 / FS-6220 / FS-8220



- Outlet – 100 mm (4 in.), 150 mm (6 in.), and 200 mm (8 in.).
- Heat treated 410 stainless steel shaft.
- Double mechanical seals (lower silicon carbide V silicon carbide, upper carbon/ceramic) in oil chamber.
- Oil-free motor, 3 phase, with thermal and over-current protector.
- Class F insulation, IP 68 protection motor.
- Dynamically balanced high chrome steel impeller.
- Max. liquid temperature – 40°C (104°F).
- Standard cable length – 10 m (33 ft.) upon request.
- Discharge, volute, and impeller are easily inter-changeable for different performance.

✓	
	Simplex
	Duplex
	Triplex

✓	OPTIONAL EQUIPMENT
	Additional cable
	Slide away coupling
	Impeller trims
	High temp winding and seal liquids 190°F/ 88°C



EFFLUENT PUMPS

● **Technical Data** **FS Series**

**FS-4150 / FS-6150 / FS-4220
FS-6220 / FS-8220**

✓	Model	Outlet		Elec. MOTOR			Voltage/Phase /HZ	Solid Passage		Weight	
				Hp	Amp.			mm	in	Kgs	Lbs
		mm	in		Start	Run					
	FS4150-3-208-60	100	4	20	-	47.6	208/3/60	15	0.6	141	310.2
	FS4150-3-230-60	100	4	20	-	43.0	230/3/60	15	0.6	141	310.2
	FS4150-3-460-60	100	4	20	-	21.5	460/3/60	15	0.6	141	310.2
	FS4150-3-575-60	100	4	20	-	17.2	575/3/60	15	0.6	141	310.2
	FS6150-3-208-60	150	6	20	-	47.6	208/3/60	15	0.6	142	312.4
	FS6150-3-230-60	150	6	20	-	43.0	230/3/60	15	0.6	142	312.4
	FS6150-3-460-60	150	6	20	-	21.5	460/3/60	15	0.6	142	312.4
	FS6150-3-575-60	150	6	20	-	17.2	575/3/60	15	0.6	142	312.4
	FS4220-3-208-60	100	4	30	-	95.1	208/3/60	15	0.6	256	563.2
	FS4220-3-230-60	100	4	30	-	86.1	230/3/60	15	0.6	256	563.2
	FS4220-3-460-60	100	4	30	-	43.0	460/3/60	15	0.6	256	563.2
	FS4220-3-575-60	100	4	30	-	34.4	575/3/60	15	0.6	256	563.2
	FS6220-3-208-60	150	6	30	-	95.1	208/3/60	20	0.8	259	569.8
	FS6220-3-230-60	150	6	30	-	86.1	230/3/60	20	0.8	259	569.8
	FS6220-3-460-60	150	6	30	-	43.0	460/3/60	20	0.8	259	569.8
	FS6220-3-575-60	150	6	30	-	34.4	575/3/60	20	0.8	259	569.8
	FS8220-3-208-60	200	8	30	-	95.1	208/3/60	20	0.8	264	580.8
	FS8220-3-230-60	200	8	30	-	86.1	230/3/60	20	0.8	264	580.8
	FS8220-3-460-60	200	8	30	-	43.0	460/3/60	20	0.8	264	580.8
	FS8220-3-575-60	200	8	30	-	34.4	575/3/60	20	0.8	264	580.8

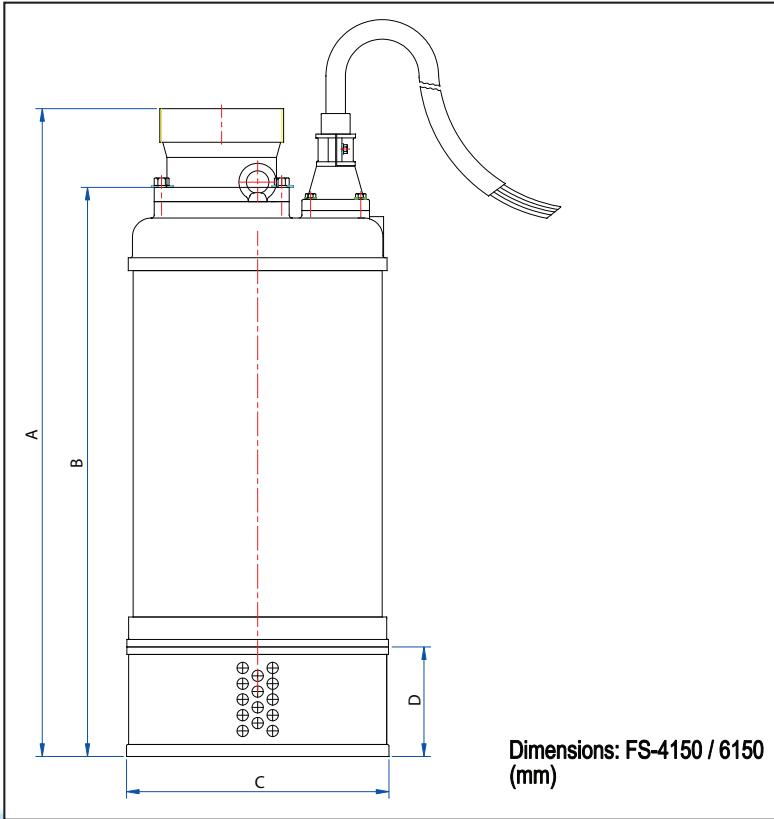


EFFLUENT PUMPS

FS Series

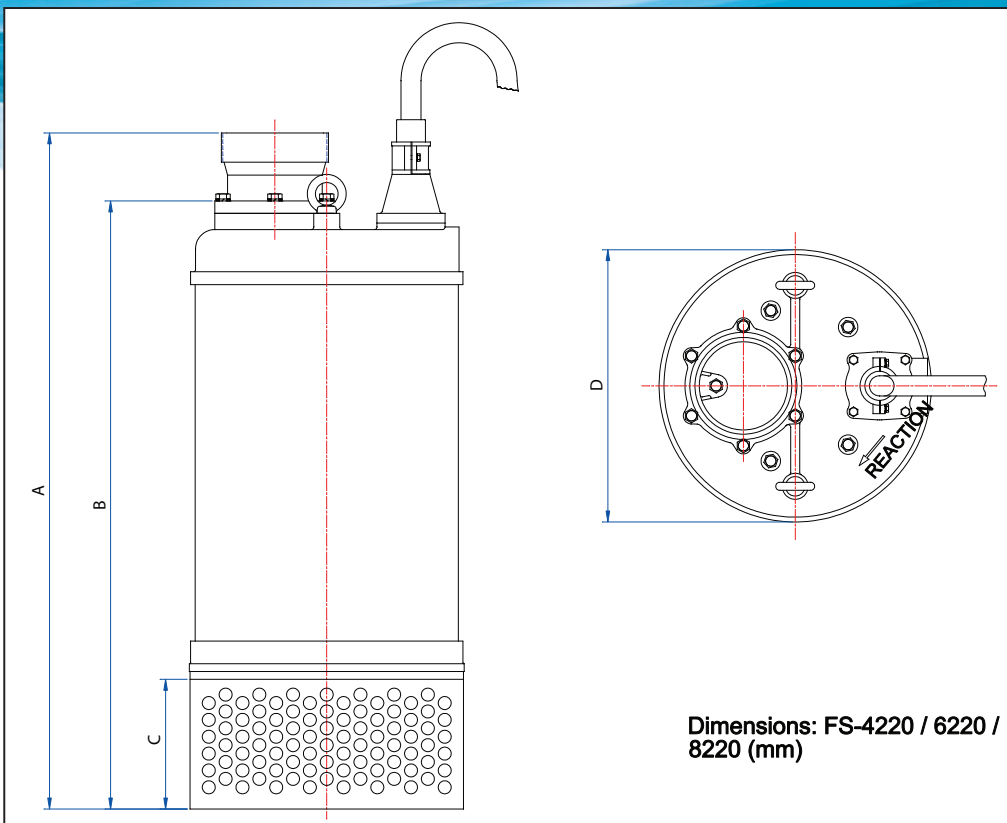
● **Dimension (unit :mm/in)**

**FS-4150 / FS-6150 / FS-4220
FS-6220 / FS-8220**



Type	A		B	
	mm	in	mm	in
FS-4150	864	34.2	759	29.88
FS-6150	864	34.2	759	29.88

Type	C		D	
	mm	in	mm	in
FS-4150	350	13.78	146	5.75
FS-6150	350	13.78	146	5.75



Type	A		B	
	mm	in	mm	in
FS-4220	1043	41.06	938	36.93
FS-6220	1043	41.06	938	36.93
FS-8220	1043	41.06	938	36.93

Type	C		D	
	mm	in	mm	in
FS-4220	200	7.87	420	16.54
FS-6220	200	7.87	420	16.54
FS-8220	200	7.87	420	16.54

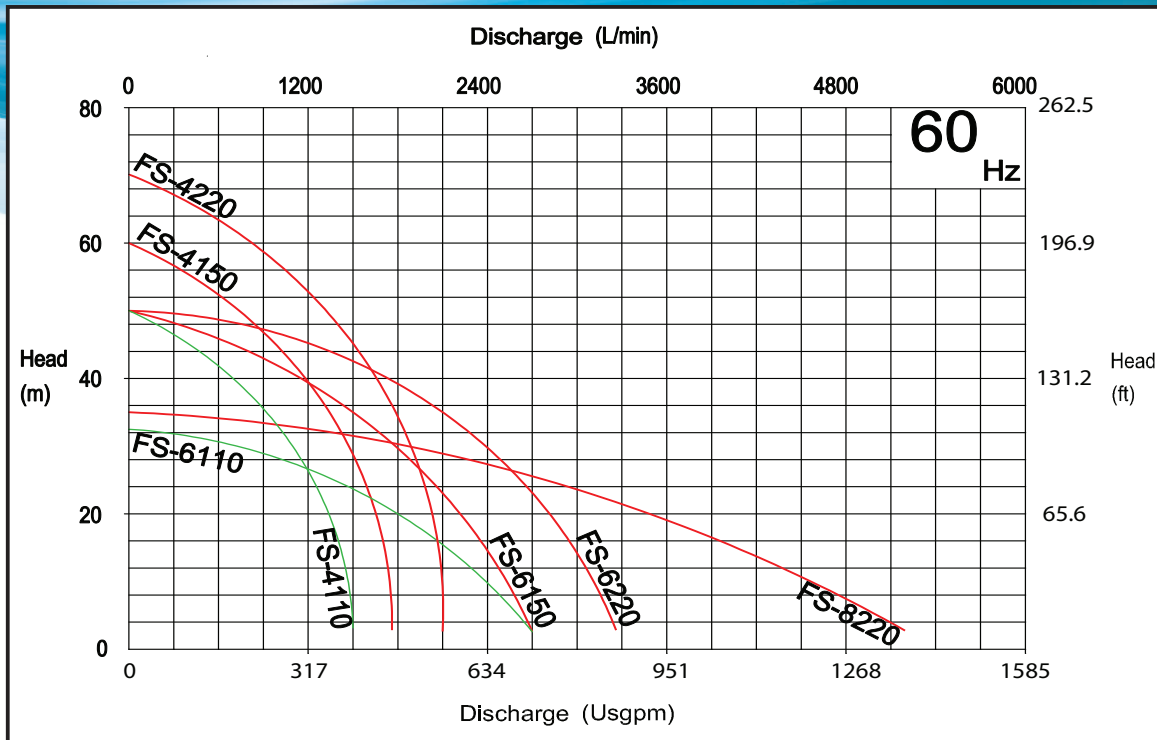
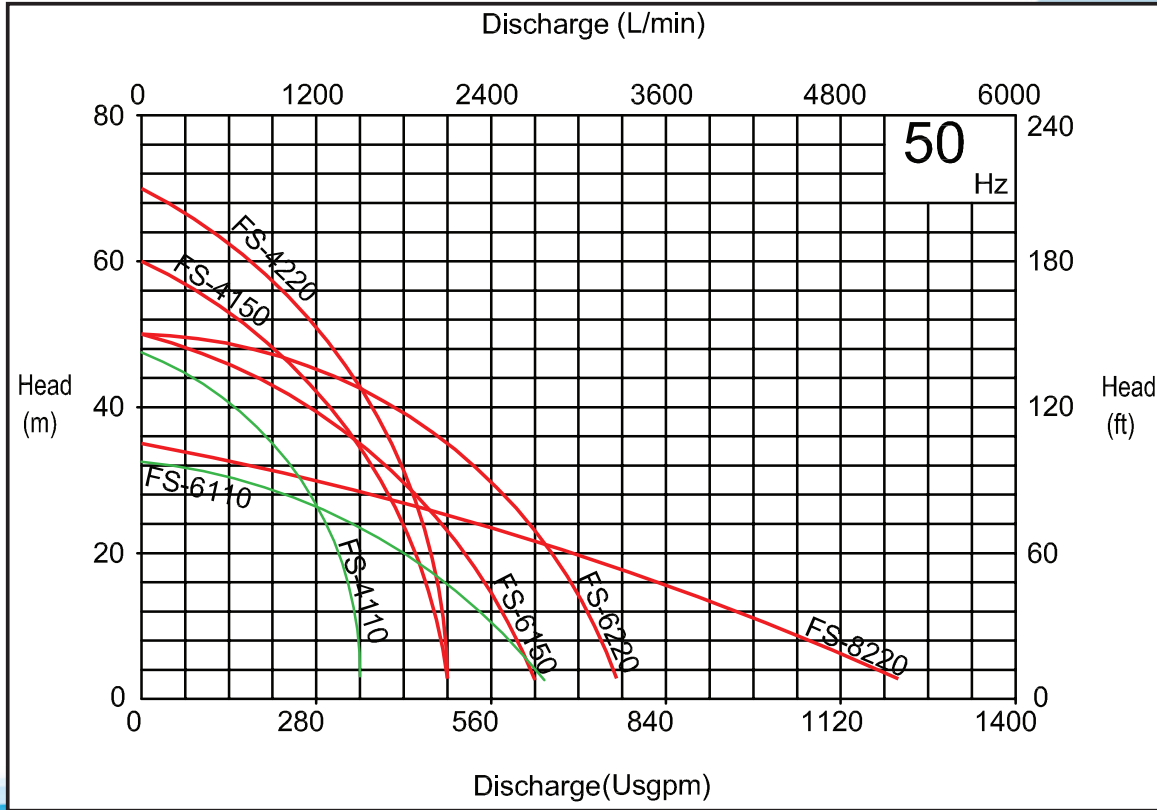


EFFLUENT PUMPS

FS Series

● Performance Curves

**FS-4150 / FS-6150 / FS-4220
FS-6220 / FS-8220**



■ Stock items ■ Built to order

Go to www.flofab.com in Our Products Section to see the Master Spec - <http://www.arcomnet.com/masterspec/>



EFFLUENT PUMPS

FSS Series

• Double Casing Dewatering Pump

FSS-250 / FSS-400 / FSS-750

FSS Series – Double casing dewatering pumps, full stainless steel motor cooled by pumped liquid. Greatly versatile and functional state-of-the-art design, made to withstand even the most severe environments.



- FSS-250
- FSS-400
- FSS-750

- Outlet – 40 mm (1-1/2 in.) and 50 mm (2 in.).
- Constructed entirely in stainless steel: motor cover, motor frame, impeller..all in stainless steel. All surface materials and oil are non-toxic.
- Heat-treated 410 stainless steel shaft.
- Double mechanical seals (lower silicon carbide V silicon carbide, upper carbon/ceramic) in oil chamber.
- Oil-free motor, 1 & 3 phase, with thermal and over-current protector.
- Class F insulation, IP 68 protection motor.
- Max. liquid temperature: 40°C (104°F).
- Standard cable: 6 m (20 ft.) or longer upon request.
- Tethered float switch is available upon request – FSS-250A, FSS-400A, FSS-750A.
- Ideal applications – utility, telecommunications, power generation plans, drainage of construction sites & civil engineering projects.

✓		✓	OPTIONAL EQUIPMENT
	Simplex		Additional cable
	Duplex		Slide away coupling
	Triplex		Impeller trims
			High temp winding and seal liquids 190°F/ 88°C

• Technical Data

✓	Model	Outlet		Elec. MOTOR			Voltage/Phase /HZ	Rated Flow @ Head				Max. Head & Flow				Solid Passage		Weight	
				Hp	Amp.			50Hz		60Hz		50Hz		60Hz					
		mm	in		Start	Run		M	L/ min	Ft	Us-gpm	M	L/ min	Ft	Us-gpm	mm	in	Kgs	Lbs
	FSS250-1-115-60	40	1 1/2	1/3	-	3.3	115/1/60	100	6	32	20	200	8	53	28	5.5	0.2	12.5	27.5
	FSS250-3-208-60	40	1 1/2	1/3	-	1.5	208/3/60	100	6	32	20	200	8	53	28	5.5	0.2	12.5	27.5
	FSS250-3-230-60	40	1 1/2	1/3	-	1.7	230/3/60	100	6	32	20	200	8	53	28	5.5	0.2	12.5	27.5
	FSS400-1-115-60	50	2	1/2	-	3.3	115/1/60	140	7	37	23	240	10	63	33	5.5	0.2	13	28.6
	FSS400-3-208-60	50	2	1/2	-	1.5	208/3/60	140	7	37	23	240	10	63	33	5.5	0.2	13	28.6
	FSS400-3-230-60	50	2	1/2	-	1.7	230/3/60	140	7	37	23	240	10	63	33	5.5	0.2	13	28.6
	FSS750-1-115-60	50	2	1	-	10	115/1/60	200	10	53	33	320	15	85	49	7	0.3	14	30.8
	FSS750-3-208-60	50	2	1	-	5.28	208/3/60	200	10	53	33	320	15	85	49	7	0.3	14	30.8
	FSS750-3-230-60	50	2	1	-	5.0	230/3/60	200	10	53	33	320	15	85	49	7	0.3	14	30.8

Go to www.flofab.com in Our Products Section to see the Master Spec - <http://www.arcomnet.com/masterspec/>

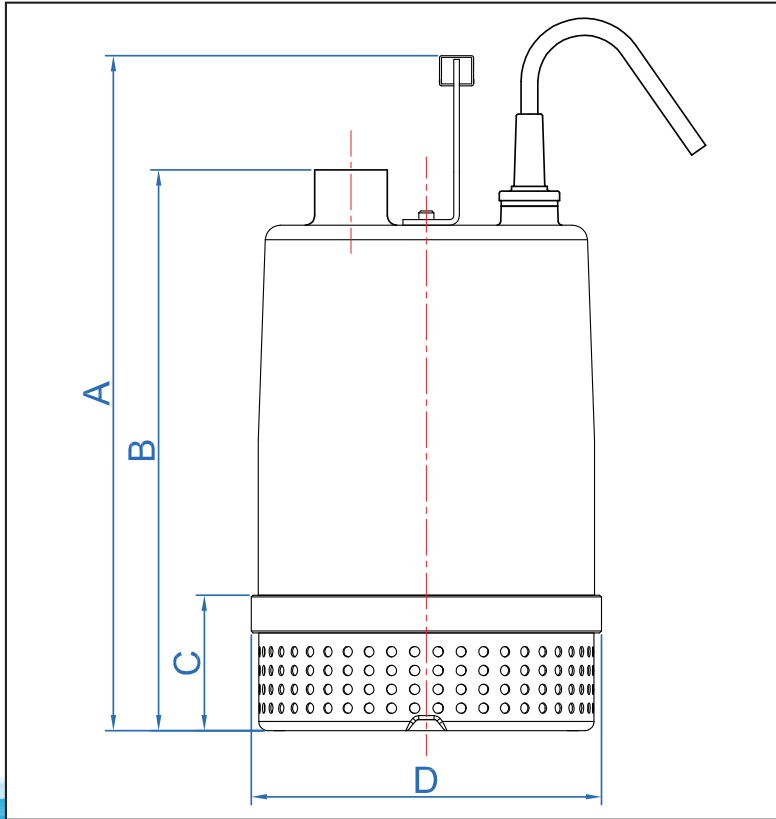


EFFLUENT PUMPS

FSS Series

● **Dimension (unit :mm/in)**

FSS-250 / FSS-400 / FSS-750



Type	A		B		C		D	
	mm	in	mm	in	mm	in	mm	in
FSS-250	334	13.15	293	11.54	72	2.83	184	7.24
FSS-400	334	13.15	293	11.54	72	2.83	184	7.24
FSS-750	354	13.94	320	12.60	72	2.83	184	7.24

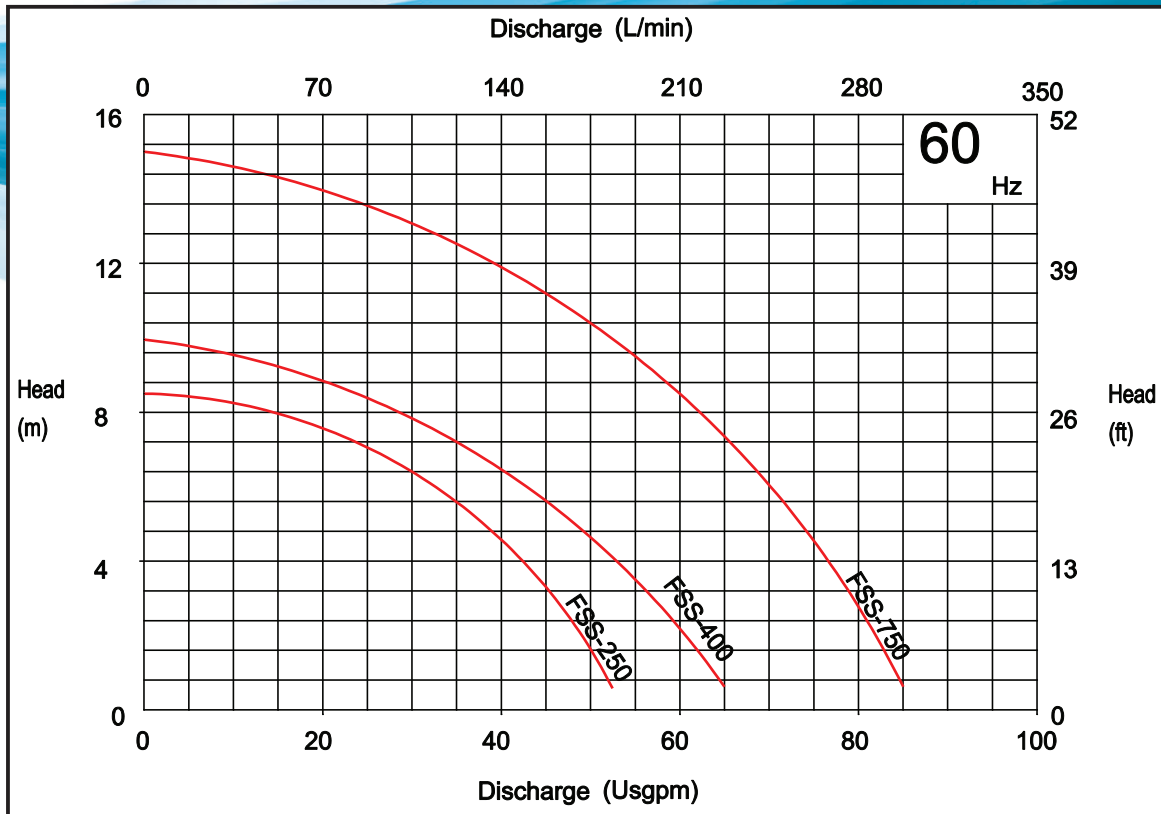
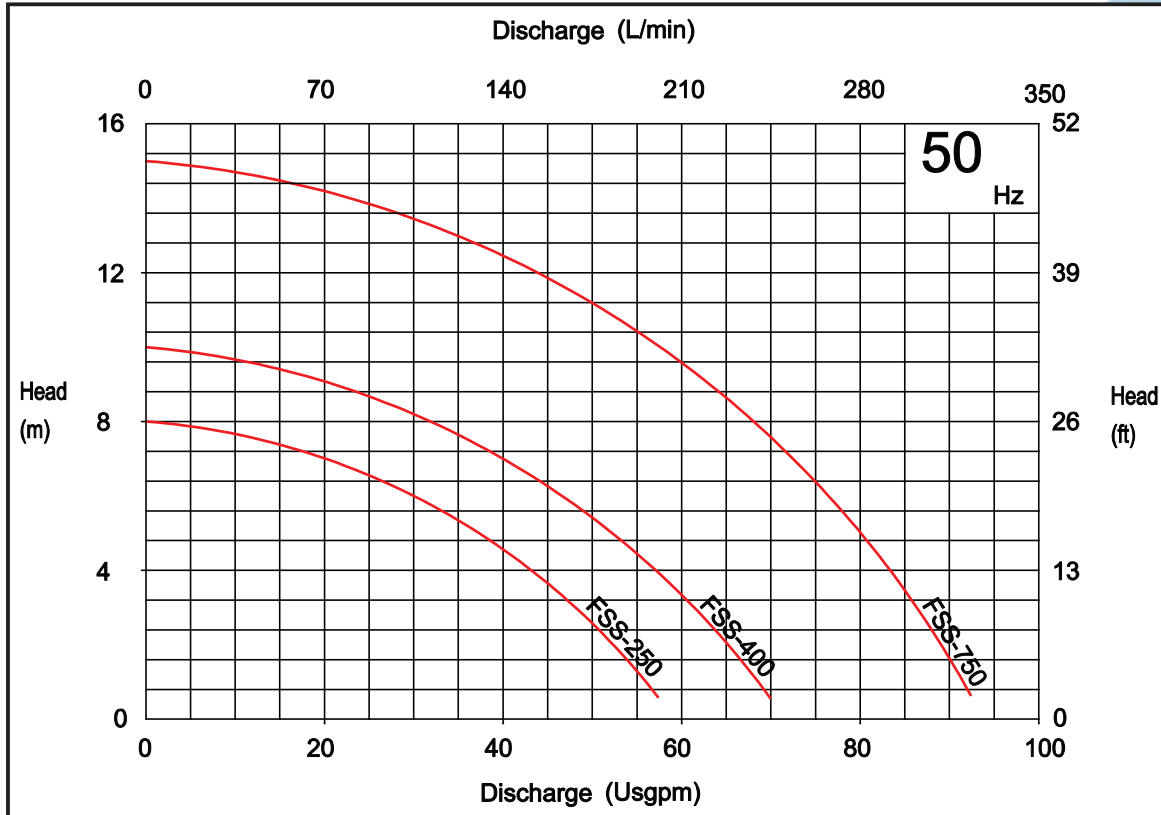


EFFLUENT PUMPS

FSS Series

● Performance Curves

FSS-250 / FSS-400 / FSS-750



■ Stock items
 ■ Built to order

Go to www.flofab.com in Our Products Section to see the Master Spec - <http://www.arcomnet.com/masterspec/>



SEWAGE AND EFFLUENT PUMPS

AS Series

● Sewage Pump

AS-203 / AS-206

AS, ASB, and ASR Series provide years of trouble-free performance in residential and light commercial sewage and effluent applications. The most compact design with stainless steel and thermoplastic construction, the pumps are built multi-functionally to meet your most demanding requirements.

- AS-203 Sewage Pump
- AS-206 Sewage Pump



- Outlet – 50 mm (2 in.).
- Max. head – 9 m / 31.0 ft., max. flow – 300 l/min / 74 gpm.
- Oil free motor – safe for fish and plants.
- Stainless steel motor housing and thermal plastic pump casing – light weight with superior corrosion resistance.
- Stainless steel shaft + dual ball bearings – quiet and long lasting.
- Premium ceramic seal design – allows for continuous operation.
- Vortex design impeller – handles spherical solids up to 35 mm (1.4 in).
- Standard cable length – 3 m (10 ft) / AS-203, 6 m (20 ft) / AS-206.
- Tethered or vertical float switch is available upon request – AS-203A or AS-203AC, AS-206A or AS-206AC.

✓	
	Simplex
	Duplex
	Triplex

✓	OPTIONAL EQUIPMENT
	Additional cable
	Slide away coupling
	Impeller trims
	High temp winding and seal liquids 190°F/ 88°C

● Technical Data

✓	Model	Outlet		Elec. MOTOR			Voltage/Phase /HZ	Solid Passage		Weight	
				Hp	Amp.			mm	in	Kgs	Lbs
		Start	Run								
	AS203-1-115-60	50	2	1/3	-	3.3	115/1/60	35	1.4	4.2	9.2
	AS203-3-208-60	50	2	1/3	-	1.5	208/3/60	35	1.4	4.2	9.2
	AS203-3-230-60	50	2	1/3	-	1.7	230/3/60	35	1.4	4.2	9.2
	AS206-1-115-60	50	2	1/2	-	12	115/1/60	35	1.4	6	13.2
	AS206-1-208-60	50	2	1/2	-	7.28	208/1/60	35	1.4	6	13.2
	AS206-1-230-60	50	2	1/2	-	6	230/1/60	35	1.4	6	13.2
	AS206-3-208-60	50	2	1/2	-	4.2	208/3/60	35	1.4	6	13.2
	AS206-3-230-60	50	2	1/2	-	3.9	230/3/60	35	1.4	6	13.2
	AS206-3-460-60	50	2	1/2	-	1.9	230/3/60	35	1.4	6	13.2
	AS206-3-575-60	50	2	1/2	-	1.5	230/3/60	35	1.4	6	13.2

Go to www.flofab.com in Our Products Section to see the Master Spec - <http://www.arcomnet.com/masterspec/>



SEWAGE AND EFFLUENT PUMPS

AS Series

● Sewage Pump

AS-208 / AS-215

AS-208 and AS-215 stainless steel sewage pumps for industrial, commercial, municipal, and residential applications. Compact and Lightweight !



- AS-208 S.S. Sewage Pump
- AS-215

- Outlet – 50 mm (2 in.).
- Max. head – AS-208: 14 m / 49 ft., AS-215: 18 m / 59 ft.
- Max. flow –
- AS-208: 360 l/min / 95 gpm, AS-215: 460 l/min / 122 gpm.
- Oil free motor, 1 & 3 phase, with thermal / over-current protector.
- Constructed entirely in stainless steel: motor cover, motor frame, impeller... all in stainless steel.
- Heat-treated stainless steel 410 shaft.
- Double mechanical seals (lower silicon carbide V silicon carbide, upper carbon/ceramic) in oil chamber.
- Solid passage: 40 mm (1.6 in.)
- Max. liquid temperature – 40°C (104°F).
- Standard cable length – 6 m (20 ft) or longer upon request.
- Tethered float switch is available upon request – AS-208A and AS-215A.

✓		✓	OPTIONAL EQUIPMENT
	Simplex		Additional cable
	Duplex		Slide away coupling
	Triplex		Impeller trims
			High temp winding and seal liquids 190°F/ 88°C

● Technical Data

✓	Model	Outlet		Elec. MOTOR			Voltage/Phase /HZ	Solid Passage		Weight	
				Hp	Amp.			mm	in	Kgs	Lbs
		mm	in		Start	Run					
	AS208-1-115-60	50	2	1/2	-	10	115/1/60	40	1.6	12	26.4
	AS208-1-208-60	50	2	1/2	-	5.28	208/1/60	40	1.6	12	26.4
	AS208-1-230-60	50	2	1/2	-	5.0	230/1/60	40	1.6	12	26.4
	AS208-3-208-60	50	2	1/2	-	3.2	208/3/60	40	1.6	12	26.4
	AS208-3-230-60	50	2	1/2	-	2.9	230/3/60	40	1.6	12	26.4
	AS208-3-460-60	50	2	1/2	-	1.4	230/3/60	40	1.6	12	26.4
	AS208-3-575-60	50	2	1/2	-	1.1	230/3/60	40	1.6	12	26.4
	AS215-1-208-60	50	2	1	-	10.57	208/1/60	37	1.5	15	33.0
	AS215-1-230-60	50	2	1	-	10	230/1/60	37	1.5	15	33.0
	AS215-3-208-60	50	2	1	-	6.3	208/3/60	37	1.5	15	33.0
	AS215-3-230-60	50	2	1	-	5.7	230/3/60	37	1.5	15	33.0
	AS215-3-460-60	50	2	1	-	2.9	230/3/60	37	1.5	15	33.0
	AS215-3-575-60	50	2	1	-	2.3	230/3/60	37	1.5	15	33.0

Go to www.flofab.com in Our Products Section to see the Master Spec - <http://www.arcomnet.com/masterspec/>

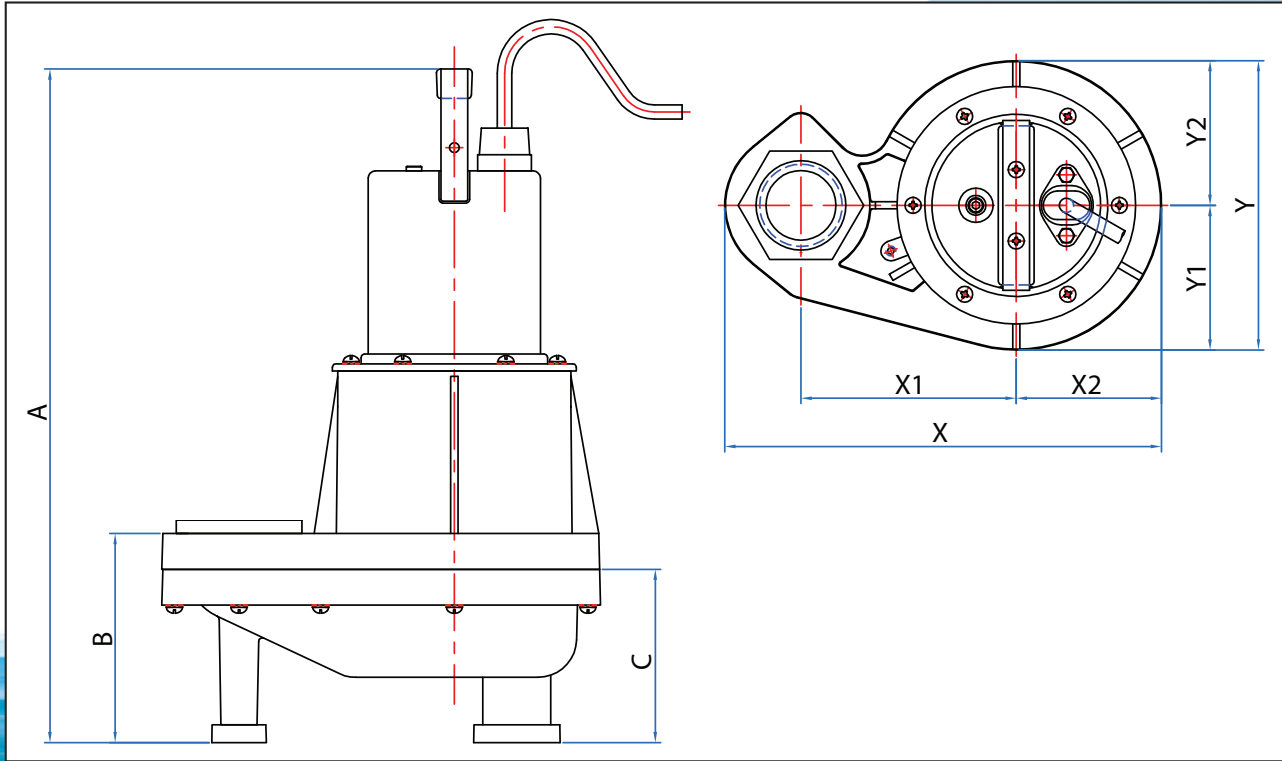


SEWAGE AND EFFLUENT PUMPS

AS Series

● Dimension (unit :mm/in)

AS-203 / AS-206

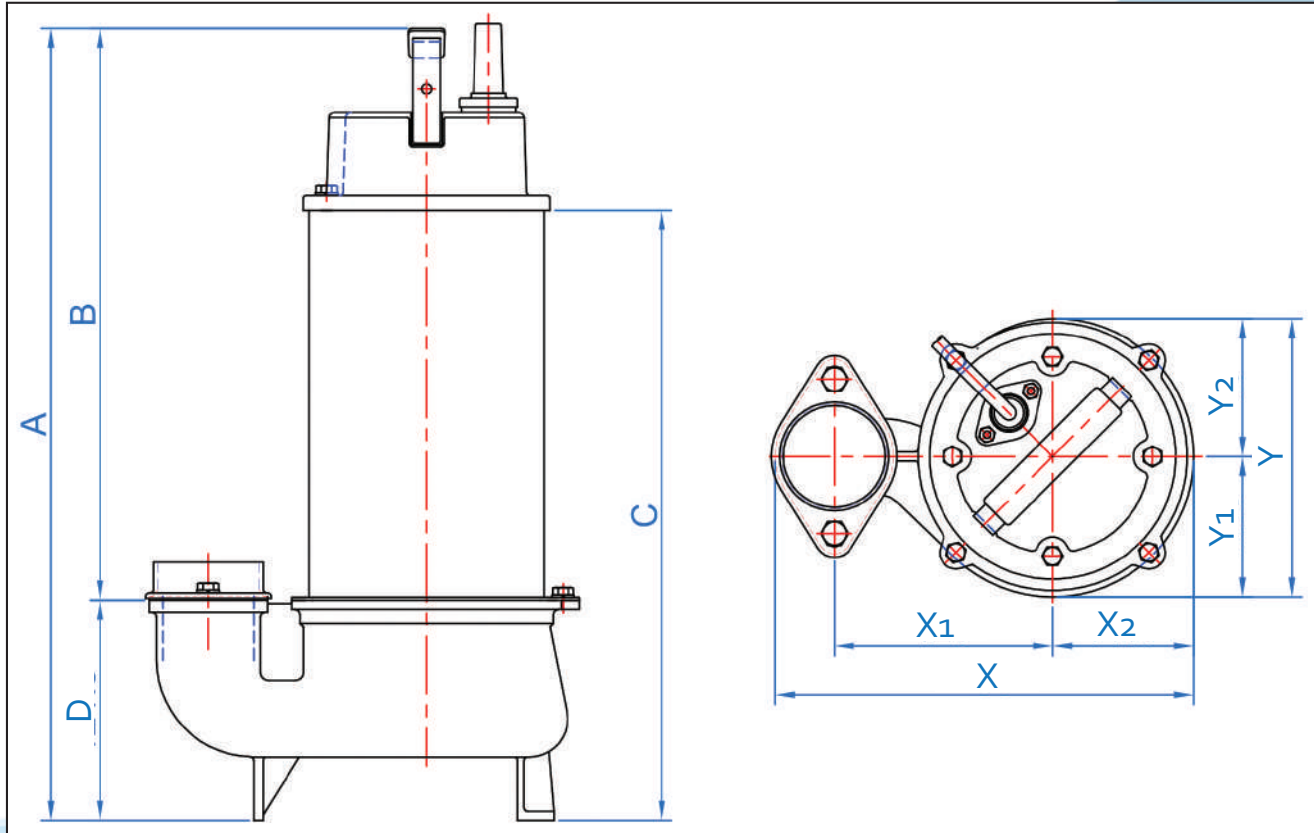


Type	A		B		C		X		Y	
	mm	in	mm	in	mm	in	mm	in	mm	in
AS-203	339	13.35	117	4.61	97	3.82	243	9.57	162	6.38
AS-206	377	14.84	117	4.61	97	3.82	243	9.57	162	6.38

Type	X1		X2		Y1		Y2	
	mm	in	mm	in	mm	in	mm	in
AS-203	120	4.72	81	3.19	81	3.19	81	3.19
AS-206	120	4.72	81	3.19	81	3.19	81	3.19

- Dimension (unit :mm/in)

AS-208 / AS-215



Type	A		B		C		D		X		Y	
	mm	in	mm	in	mm	in	mm	in	mm	in	mm	in
AS-208	407	16.02	285.5	11.24	306.5	12.07	121.5	4.78	230	9.06	153.5	6.04
AS-215	437	17.20	315.5	12.42	336.5	13.25	121.5	4.78	230	9.06	153.5	6.04

Type	X1		X2		Y1		Y2	
	mm	in	mm	in	mm	in	mm	in
AS-208	120	4.72	77.5	3.05	77.5	3.05	76	2.99
AS-215	120	4.72	77.5	3.05	77.5	3.05	76	2.99

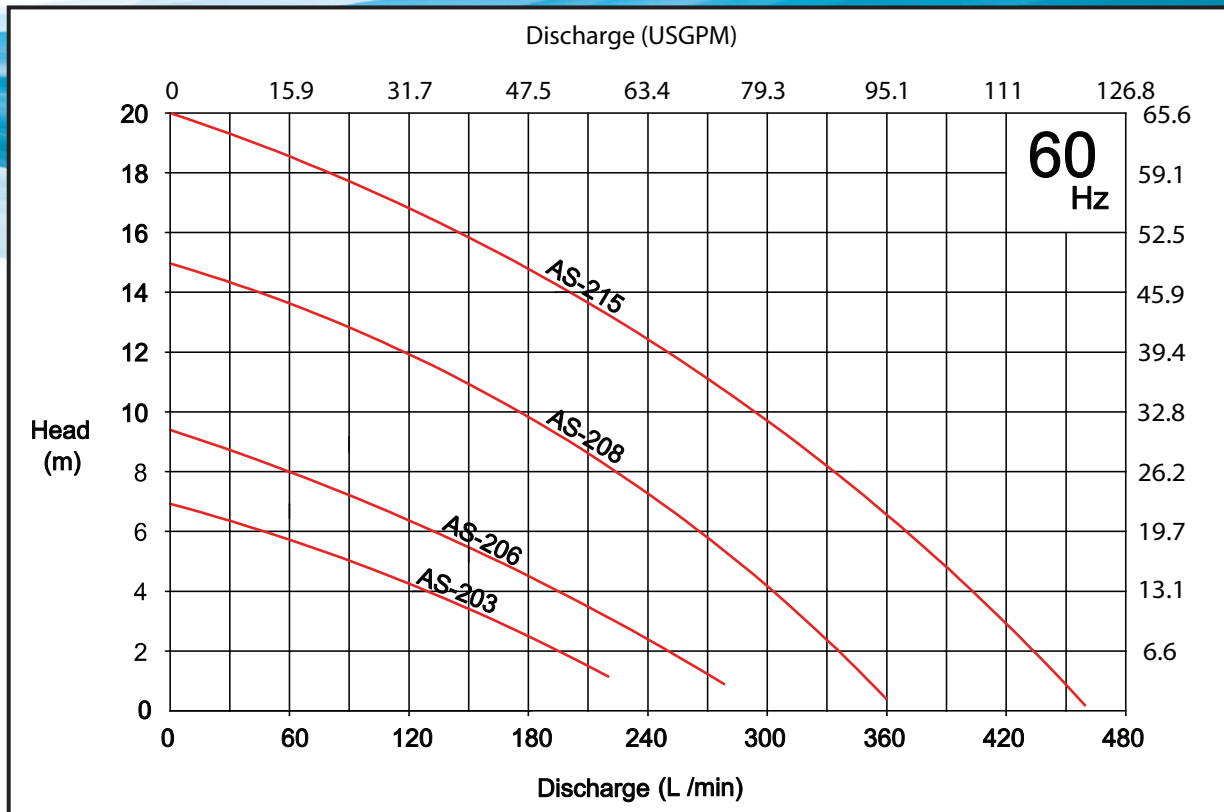
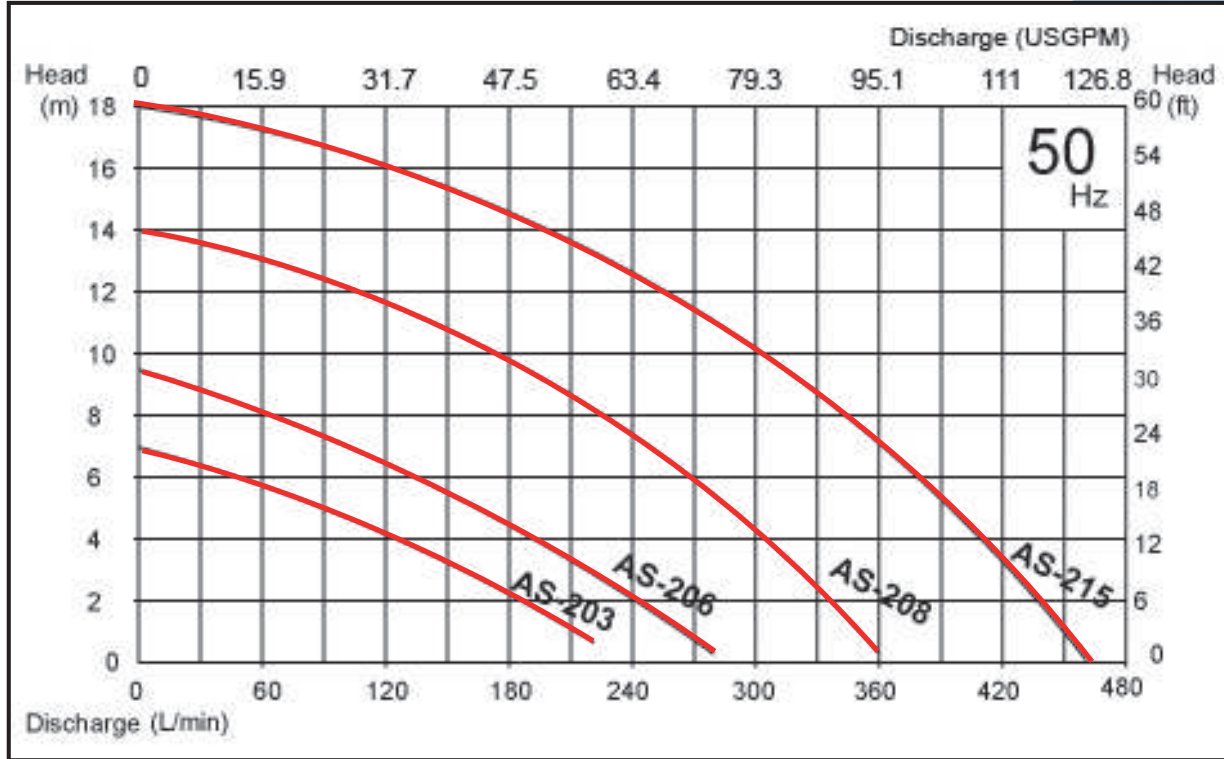


SEWAGE AND EFFLUENT PUMPS

AS Series

● Performance Curves

AS-203 / AS-206
/ AS-215



■ Stock items ■ Built to order

Go to www.flofab.com in Our Products Section to see the Master Spec - <http://www.arcomnet.com/masterspec/>



GRINDER PUMPS

FGC Series

● Grinder Pump

FGC-15 / FGC-22 / FGC-37 / FGC-55

FGC Grinder Pump - Non-clogging design, small discharge, and high pressure, ideal for individual residential and low-pressure sewer applications.



- FGC-15 ■ FGC-37
- FGC-22 ■ FGC-55

- Outlet – 32 mm (1-1/4 in.) or 50 mm (2 in.).
- Max. head – up to 52 m / 171 ft.
- Max. flow – up to 370 l/min / 98 gpm.
- Rigid cast iron construction – superior for heat dissipation.
- Heat-treated stainless steel 410 shaft.
- Double mechanical seals (lower silicon carbide V silicon carbide, upper carbon/ceramic) in oil chamber.
- Oil-free motor, class F, IP 68, with thermal and over-current protector.
- Dynamic balanced cast iron impeller.
- Rigid grinding device – high chrome steel chopper and chopper ring with hardness of 55 – 58 Rockwell C.
- Max. liquid temperature – 40°C (104°F).
- Standard cable length – 10 m (33 ft), or longer upon request.
- Guide rail fittings are available upon request.

✓	
	Simplex
	Duplex
	Triplex

✓	OPTIONAL EQUIPMENT
	Additional cable
	Slide away coupling
	Impeller trims
	High temp winding and seal liquids 190°F/ 88°C

● Technical Data

Model	Outlet		Elec. MOTOR				Voltage/Phase /Hz	Solid Passage		Weight	
			Hp	Amp.		mm		in	Kgs	Lbs	
	mm	in		Start	Run						
FGC15-1-115-60	32	1 1/4	1	-	10.57	115/1/60	3	0.1	35	77.0	
FGC15-1-208-60	32	1 1/4	1	-	15.86	208/3/60	3	0.1	35	77.0	
FGC15-1-230-60	32	1 1/4	1	-	16	230/3/60	3	0.1	35	77.0	
FGC15-3-208-60	32	1 1/4	1	-	9.5	460/3/60	3	0.1	35	77.0	
FGC15-3-230-60	32	1 1/4	1	-	8.6	480/3/60	3	0.1	35	77.0	
FGC15-3-460-60	32	1 1/4	1	-	4.3	575/3/60	3	0.1	35	77.0	
FGC15-3-575-60	32	1 1/4	1	-	3.4	575/3/60	3	0.1	35	77.0	
FGC22-3-208-60	50	2	3	-	9.5	208/3/60	7	0.3	35	77.0	
FGC22-3-230-60	50	2	3	-	8.6	230/3/60	7	0.3	35	77.0	
FGC22-3-460-60	50	2	3	-	4.3	460/3/60	7	0.3	35	77.0	
FGC22-3-575-60	50	2	3	-	3.4	575/3/60	7	0.3	35	77.0	
FGC37-3-208-60	50	2	5	-	15.9	208/3/60	7	0.3	57	125.4	
FGC37-3-230-60	50	2	5	-	14.3	230/3/60	7	0.3	57	125.4	
FGC37-3-460-60	50	2	5	-	7.2	460/3/60	7	0.3	57	125.4	
FGC37-3-575-60	50	2	5	-	5.7	575/3/60	7	0.3	57	125.4	
FGC55-3-208-60	50	2	7.5	-	23.8	208/3/60	7	0.3	60	132.0	
FGC55-3-230-60	50	2	7.5	-	21.5	230/3/60	7	0.3	60	132.0	
FGC55-3-460-60	50	2	7.5	-	10.8	460/3/60	7	0.3	60	132.0	
FGC55-3-575-60	50	2	7.5	-	8.6	575/3/60	7	0.3	60	132.0	

Go to www.flofab.com in Our Products Section to see the Master Spec - <http://www.arcomnet.com/masterspec/>

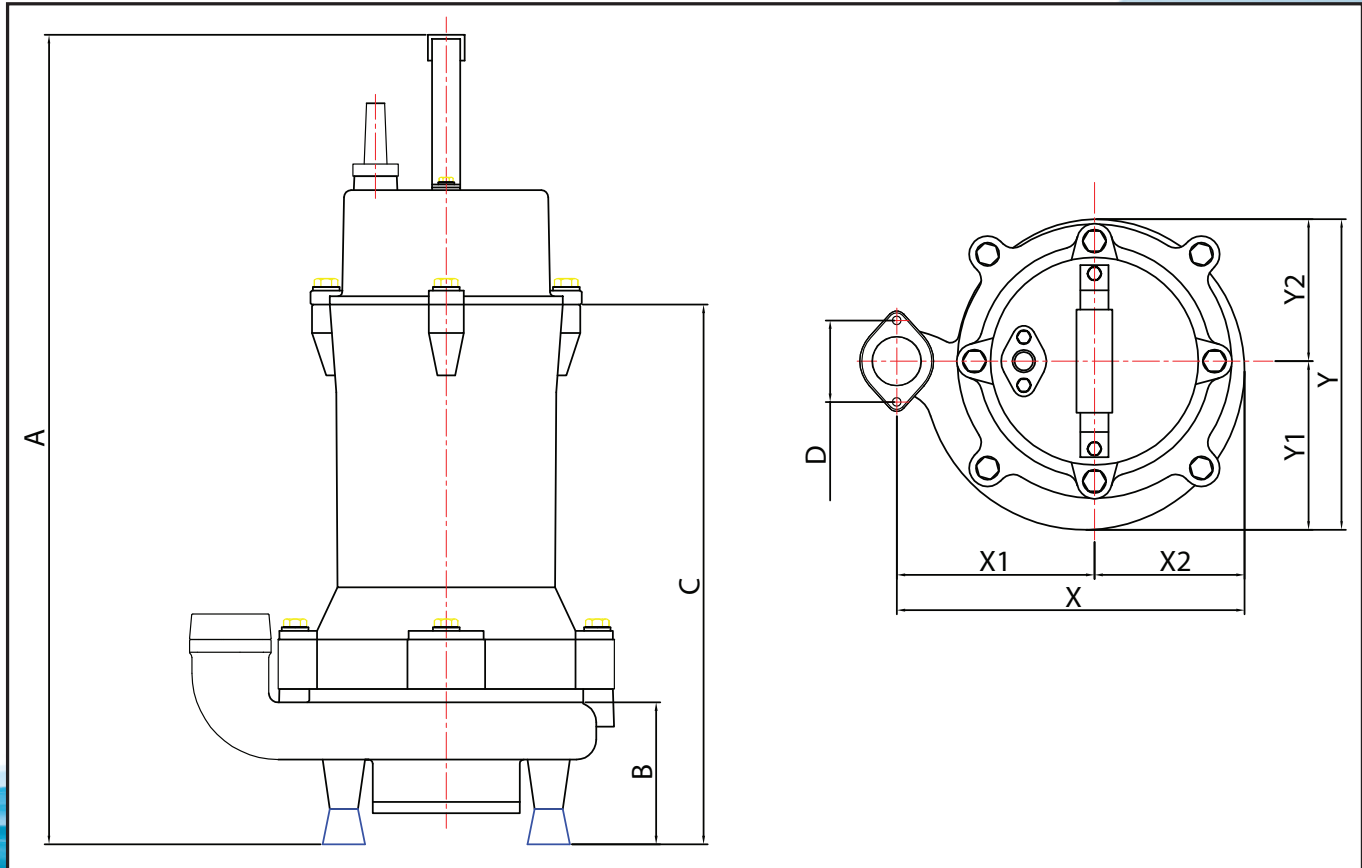


GRINDER PUMPS

FGC Series

● Dimension (unit :mm/in)

FGC-15 / FGC-22

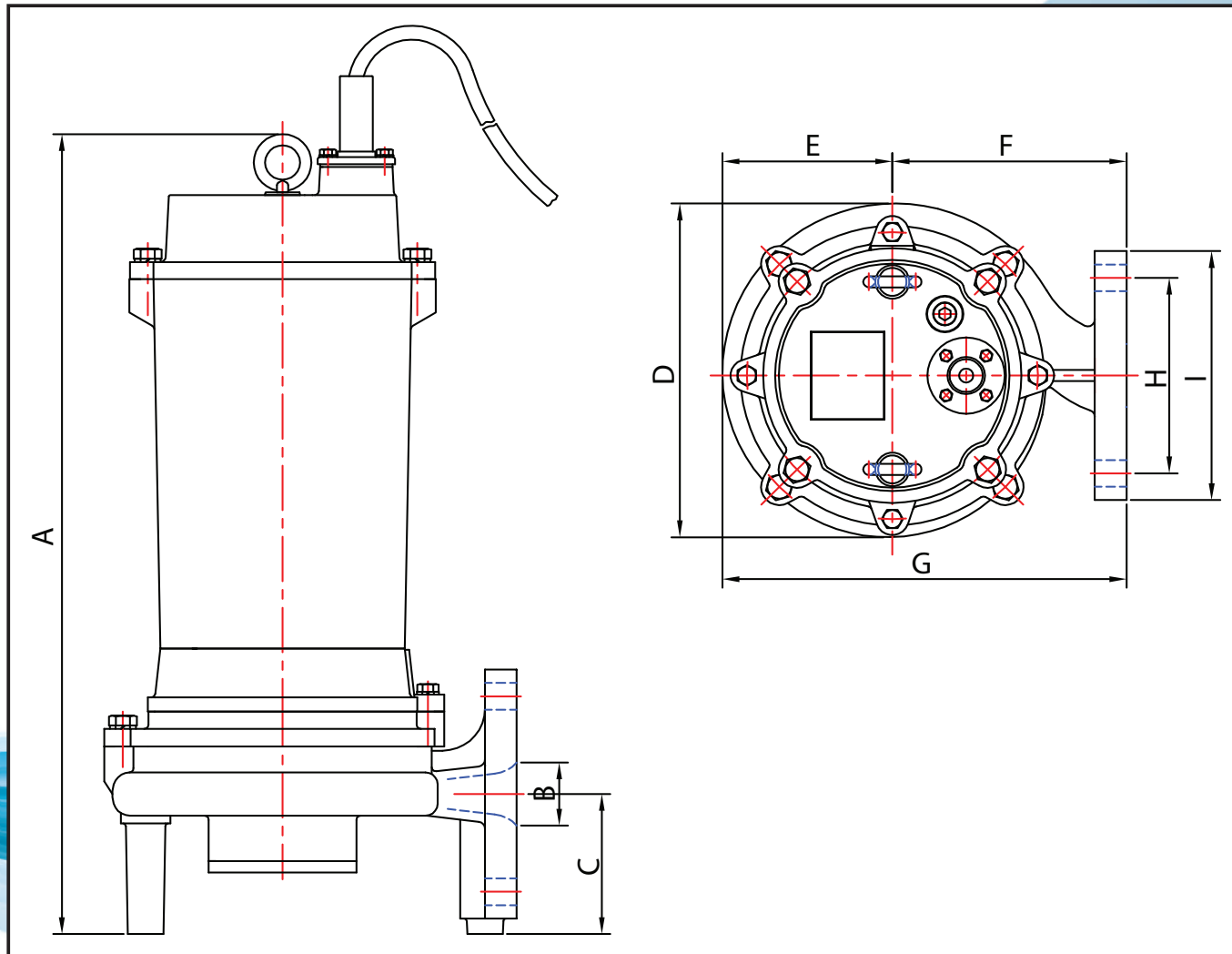


Type	A		B		C		D		X		Y	
	mm	in	mm	in	mm	in	mm	in	mm	in	mm	in
FGC-15	512	20.16	100.5	3.96	375	14.76	57.69	2.27	255	10.04	222	8.74
FGC-22	512	20.16	100.5	3.96	375	14.76	57.69	2.27	255	10.04	222	8.74

Type	X1		X2		Y1		Y2	
	mm	in	mm	in	mm	in	mm	in
FGC-15	145	5.71	110	4.33	120	4.72	102	4.02
FGC-22	145	5.71	110	4.33	120	4.72	102	4.02

● Dimension (unit :mm/in)
FGC Series

FGC-37 / FGC-55



Type	A		B		C		D		E		F	
	mm	in	mm	in	mm	in	mm	in	mm	in	mm	in
FGC-37	571.5	22.5	45	1.77	100	3.94	238.5	9.39	120	4.72	165	6.50
FGC-55	571.5	22.5	45	1.77	100	3.94	238.5	9.39	120	4.72	165	6.50

Type	G		H		I	
	mm	in	mm	in	mm	in
FGC-37	285	11.22	140	5.5	178	7
FGC-55	285	11.22	140	5.5	178	7

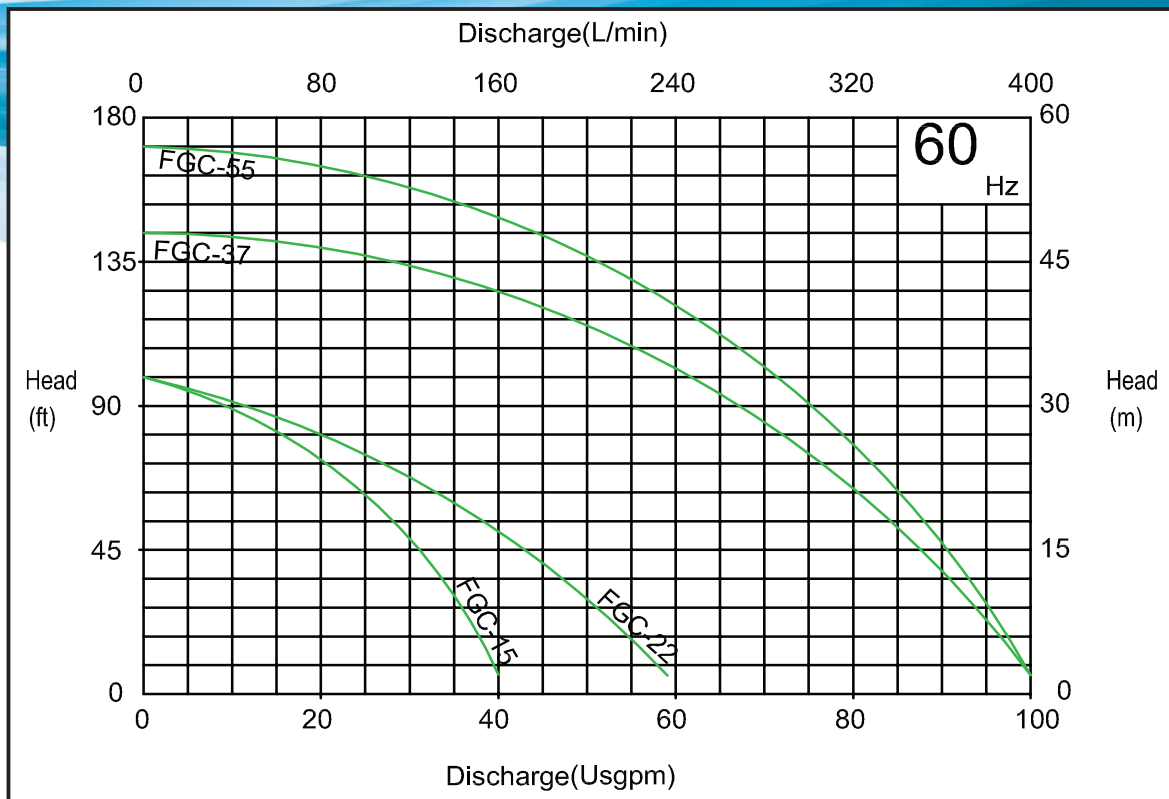
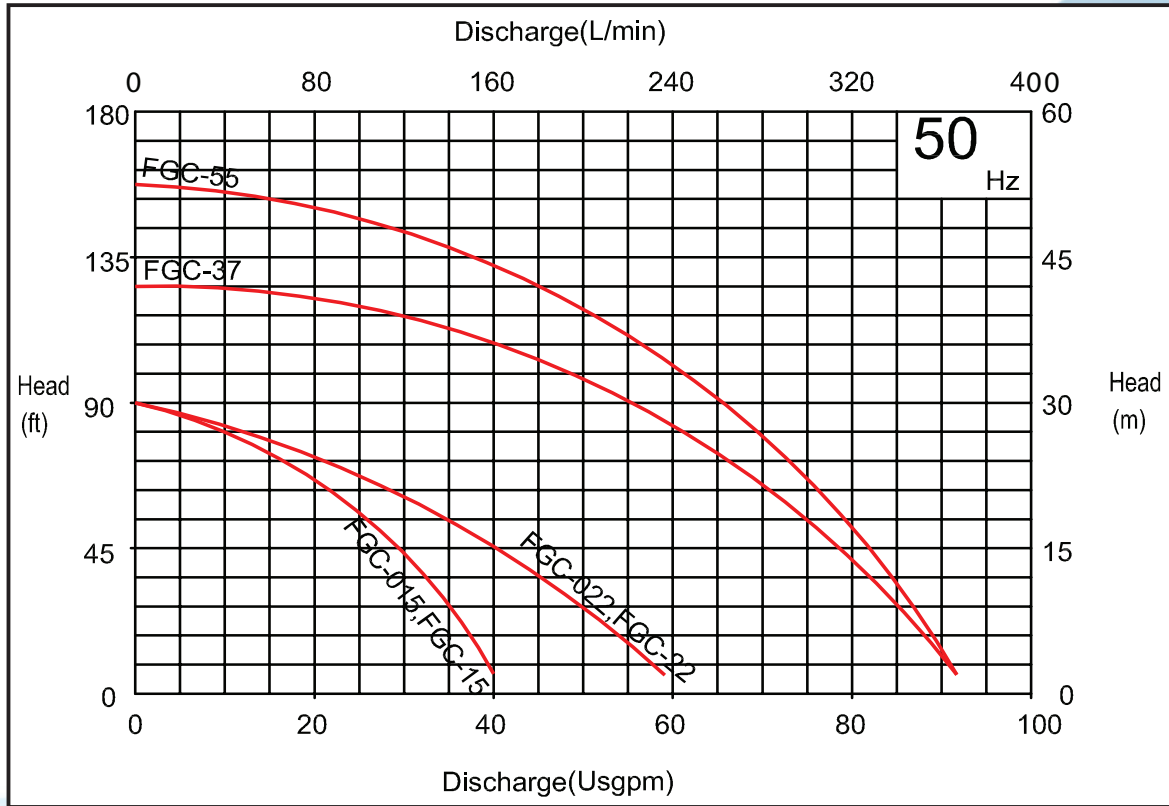


GRINDER PUMPS

FGC Series

● Performance Curves

FGC-15 / FGC-22 / FGC-37 / FGC-55



■ Stock items ■ Built to order

Go to www.flofab.com in Our Products Section to see the Master Spec - <http://www.arcomnet.com/masterspec/>



SEWAGE AND EFFLUENT PUMPS

BV Series

● Heavy Duty Sewage Pumps

BV-153 / BV-204 / BV-208 / BV-308

FGC Grinder Pump, non-clogging design, small discharge, and high pressure, ideal for individual residential and low-pressure sewer applications.

- BV-153 Semi-Vortex Pump
- BV-208
- BV-204
- BV-308



- Outlet – 40 mm (1 1/2 in.), 50 mm (2 in.), and 80 mm (3 in.).
- Cast iron construction – superior heat dissipation.
- Heat treated 410 stainless steel shaft.
- Double mechanical seals (lower silicon carbide V silicon carbide, upper carbon/ Ceramic) in oil chamber.
- Dynamically balanced vortex impeller – vortex effect to carry soft or fibrous materials without clogging.
- Oil-free motor, 1 & 3 phase, with thermal & overcurrent protector.
- Class F insulation, IP 68 protection motor.
- Max. liquid temperature: 40°C (104°F).
- Standard cable: 6 m (20 ft.) or longer upon request.
- Tethered float switch is available: BV-153A, ..., BV-315A.

✓	
	Simplex
	Duplex
	Triplex

✓	OPTIONAL EQUIPMENT
	Additional cable
	Slide away coupling
	Impeller trims
	High temp winding and seal liquids 190°F/ 88°C

Technical Data

Model	Outlet		Elec. MOTOR				Voltage/Phase /HZ	Solid Passage		Weight	
			Hp	Amp.		mm		in	Kgs	Lbs	
	mm	in		Start	Run						
BV153-1-115-60	40	1 1/2	1/3	-	3.3	115/1/60	32	1.3	13	28.6	
BV153-1-208-60	40	1 1/2	1/3	-	1.5	208/3/60	32	1.3	13	28.6	
BV153-1-230-60	40	1 1/2	1/3	-	1.7	230/3/60	32	1.3	13	28.6	
BV204-1-115-60	50	2	1/2	-	5	115/1/60	32	1.3	13.5	29.7	
BV204-3-208-60	50	2	1/2	-	1.6	208/3/60	32	1.3	13.5	29.7	
BV204-3-230-60	50	2	1/2	-	1.4	230/3/60	32	1.3	13.5	29.7	
BV204-3-460-60	50	2	1/2	-	0.7	460/3/60	32	1.3	13.5	29.7	
BV204-3-575-60	50	2	1/2	-	0.6	575/3/60	32	1.3	13.5	29.7	
BV208-1-115-60	50	2	1	-	-	115/1/60	37	1.5	19.5	42.9	
BV208-3-208-60	50	2	1	-	-	208/3/60	37	1.5	19.5	42.9	
BV208-3-230-60	50	2	1	-	-	230/3/60	37	1.5	19.5	42.9	
BV208-3-460-60	50	2	1	-	-	460/3/60	37	1.5	19.5	42.9	
BV208-3-575-60	50	2	1	-	-	575/3/60	37	1.5	19.5	42.9	
BV308-1-115-60	80	3	1	-	-	115/1/60	37	1.5	19.5	42.9	
BV308-3-208-60	80	3	1	-	-	208/3/60	37	1.5	19.5	42.9	
BV308-3-230-60	80	3	1	-	-	230/3/60	37	1.5	19.5	42.9	
BV308-3-460-60	80	3	1	-	-	460/3/60	37	1.5	19.5	42.9	
BV308-3-575-60	80	3	1	-	-	575/3/60	37	1.5	19.5	42.9	

Go to www.flofab.com in Our Products Section to see the Master Spec - <http://www.arcomnet.com/masterspec/>



SEWAGE AND EFFLUENT PUMPS

BV Series

● Heavy Duty Sewage Pumps

BV-315 / BV-322 / BV-337 / BV-455

BV Series – semi-vortex sewage pumps, unique non-clogging design suitable for carrying heavily polluted waste water containing grass, sand, stones, and etc.

- BV-315
- BV-322 Sewage Pump
- BV-337
- BV-455



- Outlet – 80 mm (3 in.) and 100 mm (4 in.).
- Fine cast iron construction – superior heat dissipation.
- Heat treated 410 stainless steel shaft.
- Double mechanical seals (lower silicon carbide V silicon carbide, upper carbon/ceramic) in oil chamber.
- Oil-free motor, 3 phase, with thermal and over-current protector.
- Class F insulation, IP 68 protection motor.
- Dynamically balanced cast iron impeller – vortex effect to carry soft or fibrous materials without clogging.
- Unique non-clog design for handling waste water containing grass, sand, and various solids.
- Solid passage: up to 55 mm (2.2 in.)
- Max. liquid temperature – 40°C (104°F).
- Standard cable length – 10 m (33 ft), or longer upon request.

✓	
	Simplex
	Duplex
	Triplex

✓	OPTIONAL EQUIPMENT
	Additional cable
	Slide away coupling
	Impeller trims
	High temp winding and seal liquids 190°F/ 88°C

● Technical Data

Model	Outlet		Elec. MOTOR				Voltage/Phase /HZ	Solid Passage		Weight	
	mm	in	Hp	Amp.		mm		in	Kgs	Lbs	
				Start	Run						
BV315-1-208-60	80	3	1	-	10.57	208/1/60	7	0.3	57	125.4	
BV315-1-230-60	80	3	1	-	10	230/1/60	7	0.3	57	125.4	
BV315-3-230-60	80	3	1	-	6.3	230/3/60	7	0.3	57	125.4	
BV315-3-230-60	80	3	1	-	5.7	230/3/60	7	0.3	57	125.4	
BV315-3-460-60	80	3	1	-	2.9	460/3/60	7	0.3	57	125.4	
BV315-3-575-60	80	3	1	-	2.3	575/3/60	7	0.3	57	125.4	
BV322-3-208-60	80	3	2	-	9.5	208/3/60	55	2.2	40	88.0	
BV322-3-230-60	80	3	2	-	8.6	230/3/60	55	2.2	40	88.0	
BV322-3-460-60	80	3	2	-	4.3	460/3/60	55	2.2	40	88.0	
BV322-3-575-60	80	3	2	-	3.4	575/3/60	55	2.2	40	88.0	
BV337-3-208-60	80	3	3	-	15.9	208/3/60	55	2.2	49	107.8	
BV337-3-230-60	80	3	3	-	14.3	230/3/60	55	2.2	49	107.8	
BV337-3-460-60	80	3	3	-	7.2	460/3/60	55	2.2	49	107.8	
BV337-3-575-60	80	3	3	-	5.7	575/3/60	55	2.2	49	107.8	
BV455-3-208-60	100	4	5	-	9.5	208/3/60	55	2.2	69	151.8	
BV455-3-230-60	100	4	5	-	8.6	230/3/60	55	2.2	69	151.8	
BV455-3-460-60	100	4	5	-	4.3	460/3/60	55	2.2	69	151.8	
BV455-3-575-60	100	4	5	-	3.4	575/3/60	55	2.2	69	151.8	

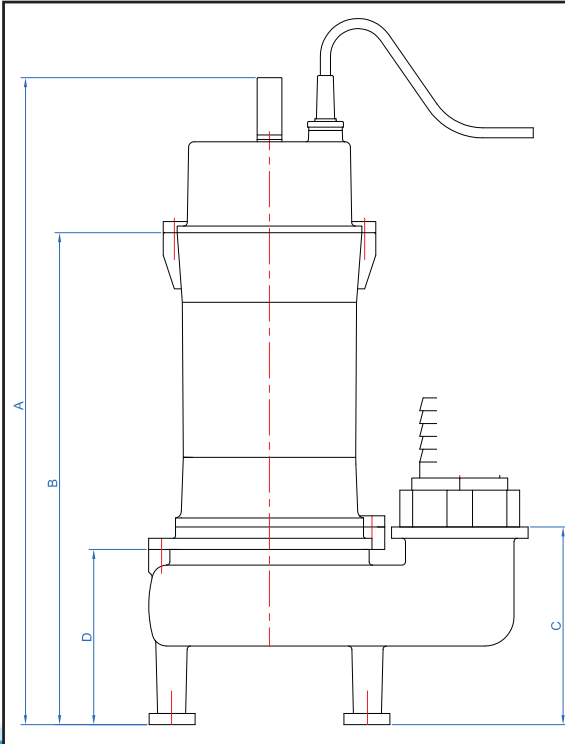
Go to www.flofab.com in Our Products Section to see the Master Spec - <http://www.arcomnet.com/masterspec/>



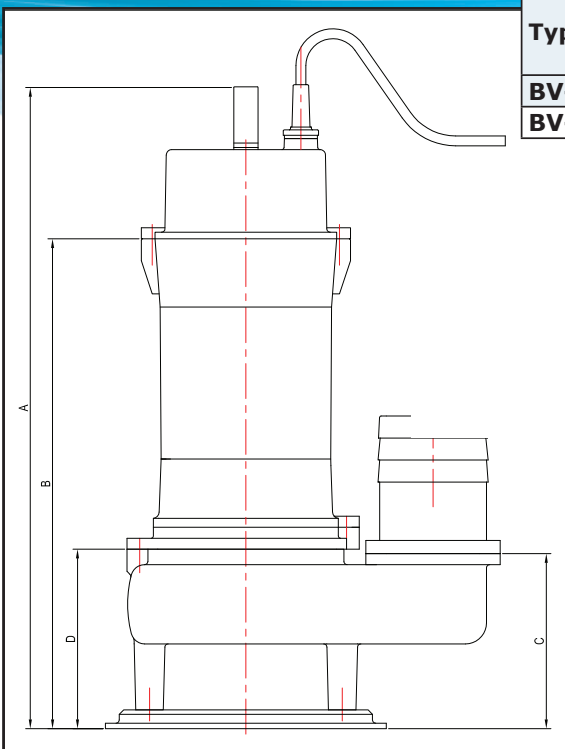
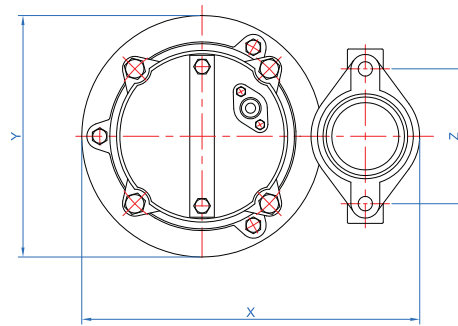
SEWAGE AND EFFLUENT PUMPS

● Dimension (unit :mm/in) BV Series

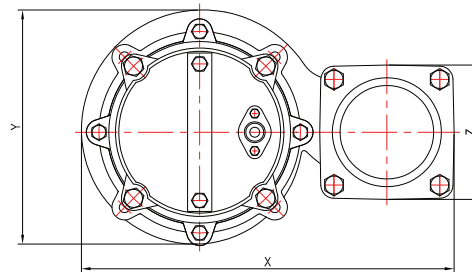
BV-153 / BV-204 / BV-208 / BV-308
BV-315 / BV-322 / BV-337



Type	A		B		C		D		X		Y		Z	
	mm	in	mm	in	mm	in	mm	in	mm	in	mm	in	mm	in
BV-153	385	15.16	285	11.22	80	3.15	78	3.07	220	8.66	128	5.04	84	3.31
BV-204	385	15.16	285	11.22	80	3.15	78	3.07	220	8.66	128	5.04	84	3.31
BV-208	462	18.19	327	12.87	98	3.86	93	3.66	224	8.82	137	5.39	84	3.31
BV-308	462	18.19	327	12.87	98	3.86	93	3.66	224	8.82	137	5.39	84	3.31
BV-315	487	19.17	353	13.90	130	5.12	130	5.12	285	11.22	157	6.18	120	4.72



Type	A		B		C		D		X		Y		Z	
	mm	in	mm	in	mm	in	mm	in	mm	in	mm	in	mm	in
BV-322	582.5	22.93	445	17.52	159	6.26	163	6.42	338	13.31	213	8.39	124	4.88
BV-337	640.5	25.22	503	19.80	169	6.65	178	7.01	364	14.33	245	9.65	124	4.88

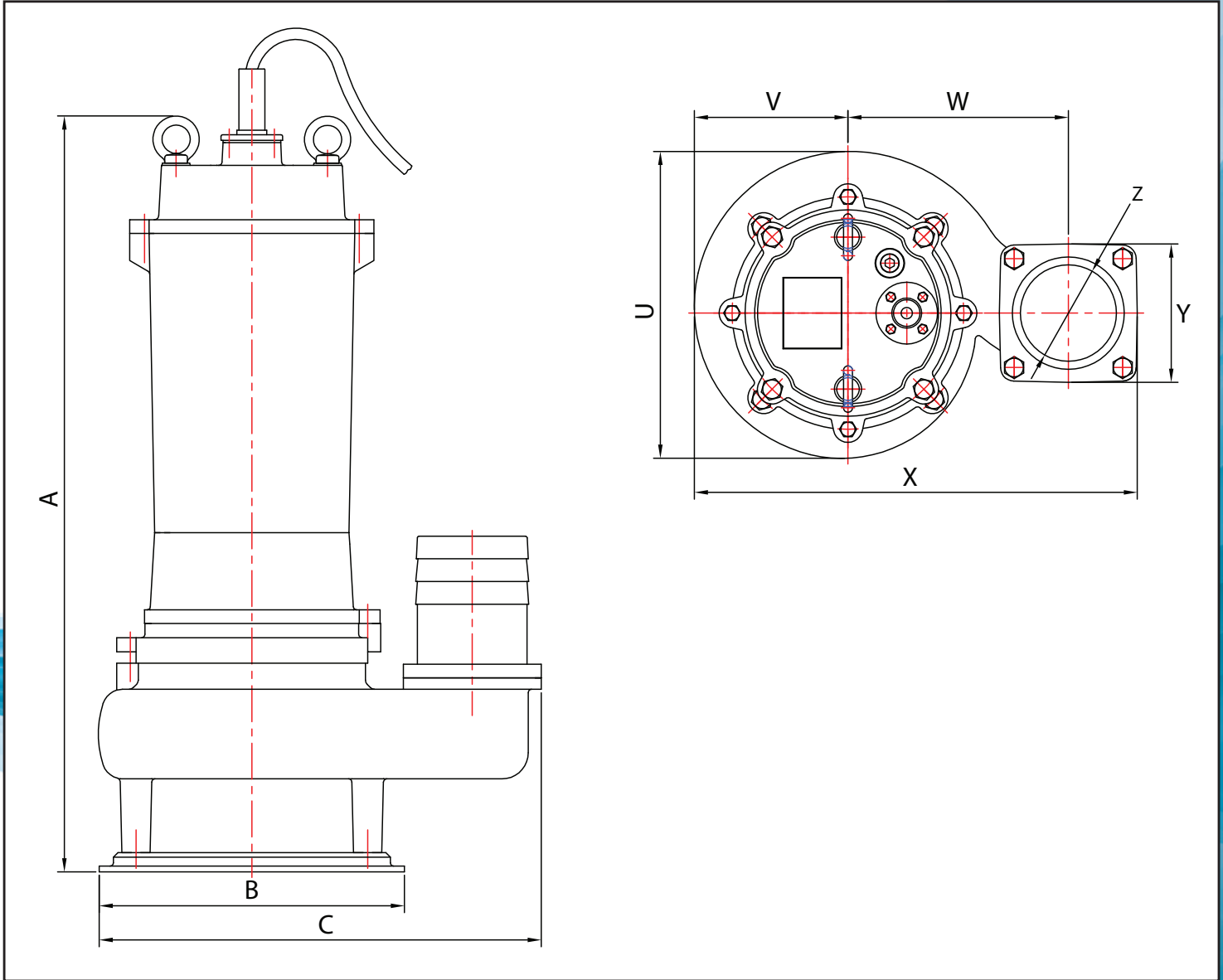




SEWAGE AND EFFLUENT PUMPS

● Dimension (unit :mm/in) BV Series

BV-455

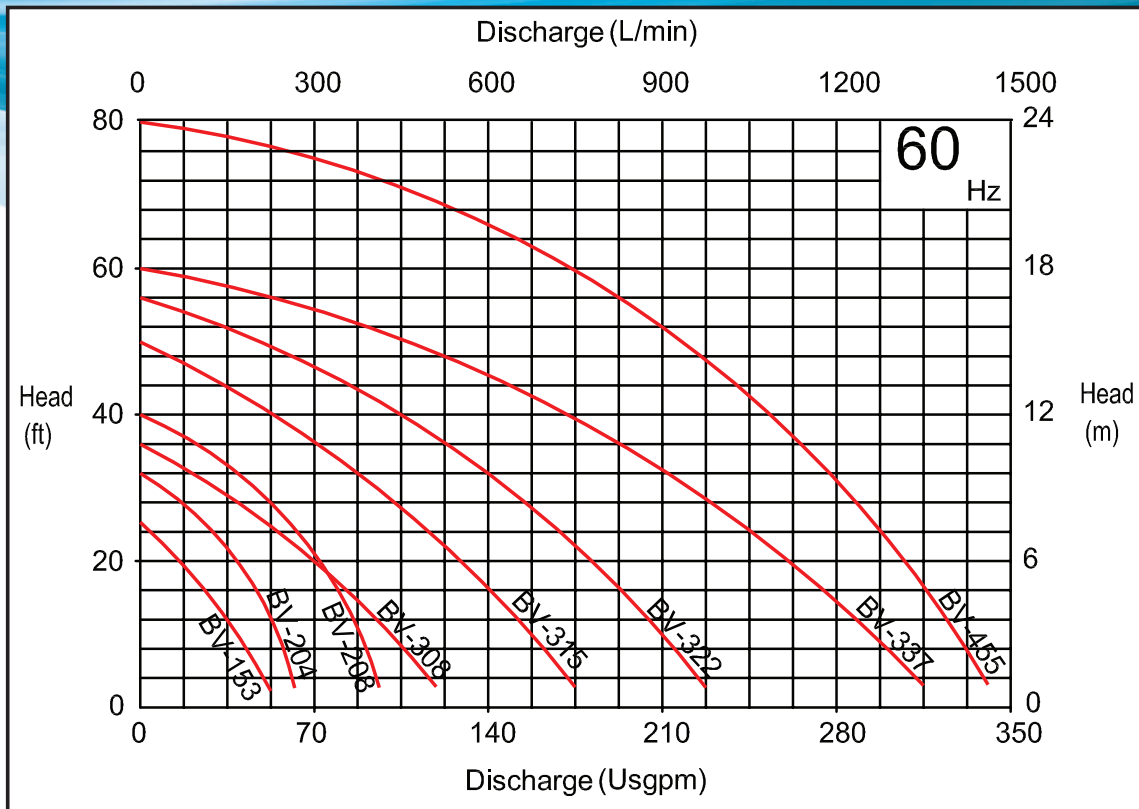
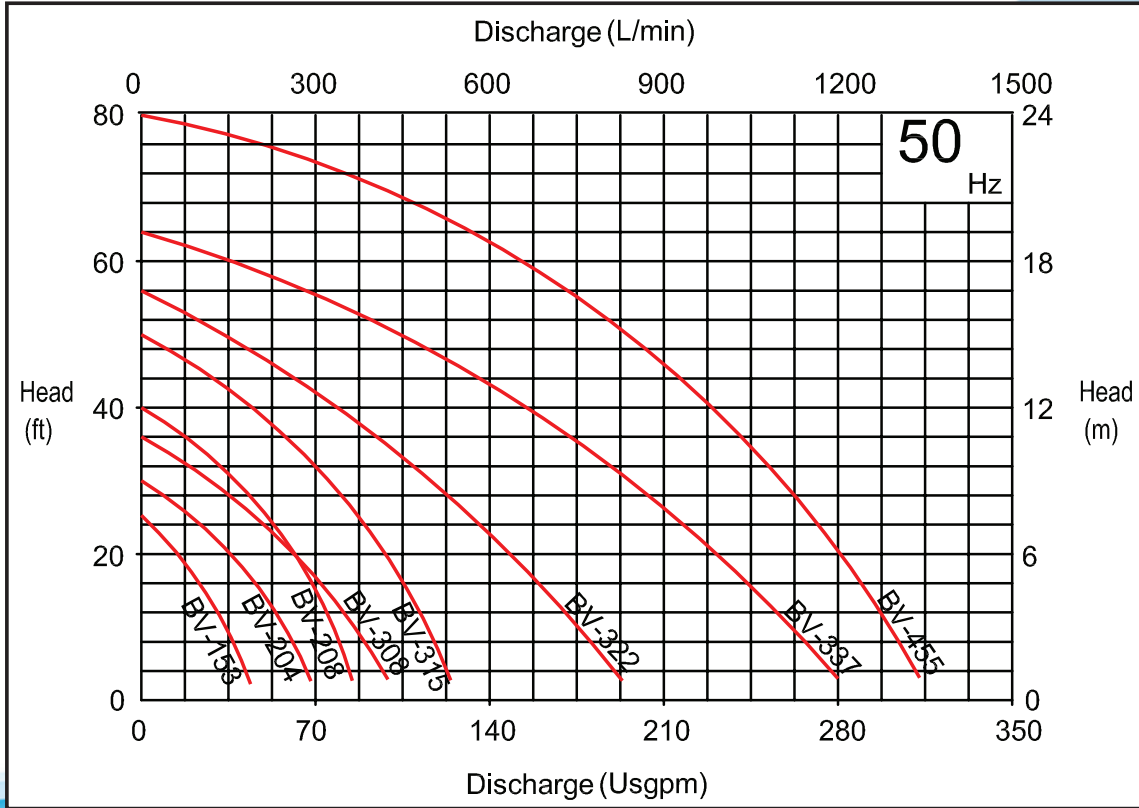


Type	A		B		C		U		V		W		X		Y		Z	
	mm	in	mm	in	mm	in	mm	in	mm	in	mm	in	mm	in	mm	in	mm	in
BV-455	666.5	26.24	280	11.02	391	15.39	275	10.83	135.9	5.35	195	7.68	391.9	15.43	85	3.35	124	4.88



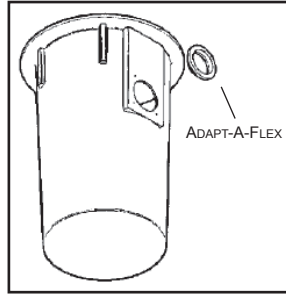
● Performance Curves

BV-153 / BV-204 / BV-208 / BV-308
 BV-315 / BV-322 / BV-337 / BV-455





Polyethylene Basin


 Polyethylene

 Fiberglass

Model

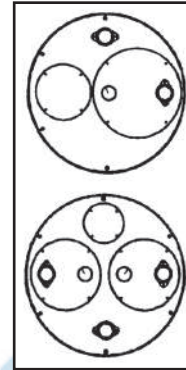
 1830 - 30 gal.

 2436 - 70 gal.

 3636 - 159 gal.

 4848 - 376 gal.

Steel Basin Covers


 Simplex

 Duplex

Model

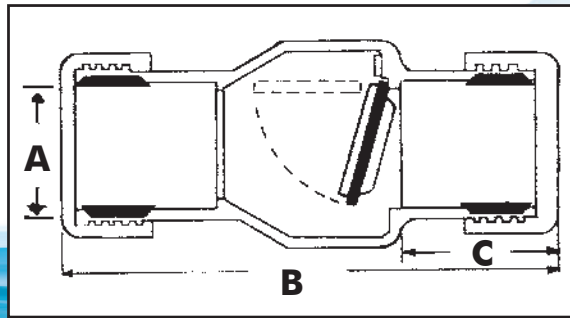
 18"

 24"

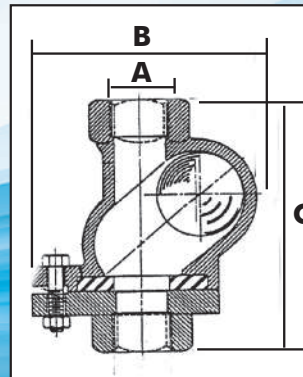
 36"

 48"

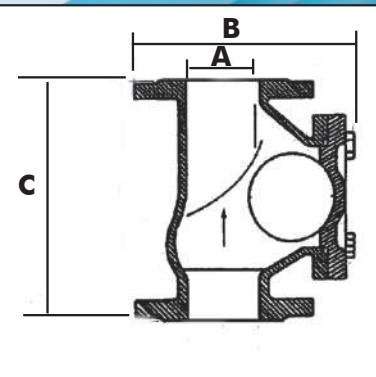
Check Valve



Type CVP



Type
CBO125-CB0200



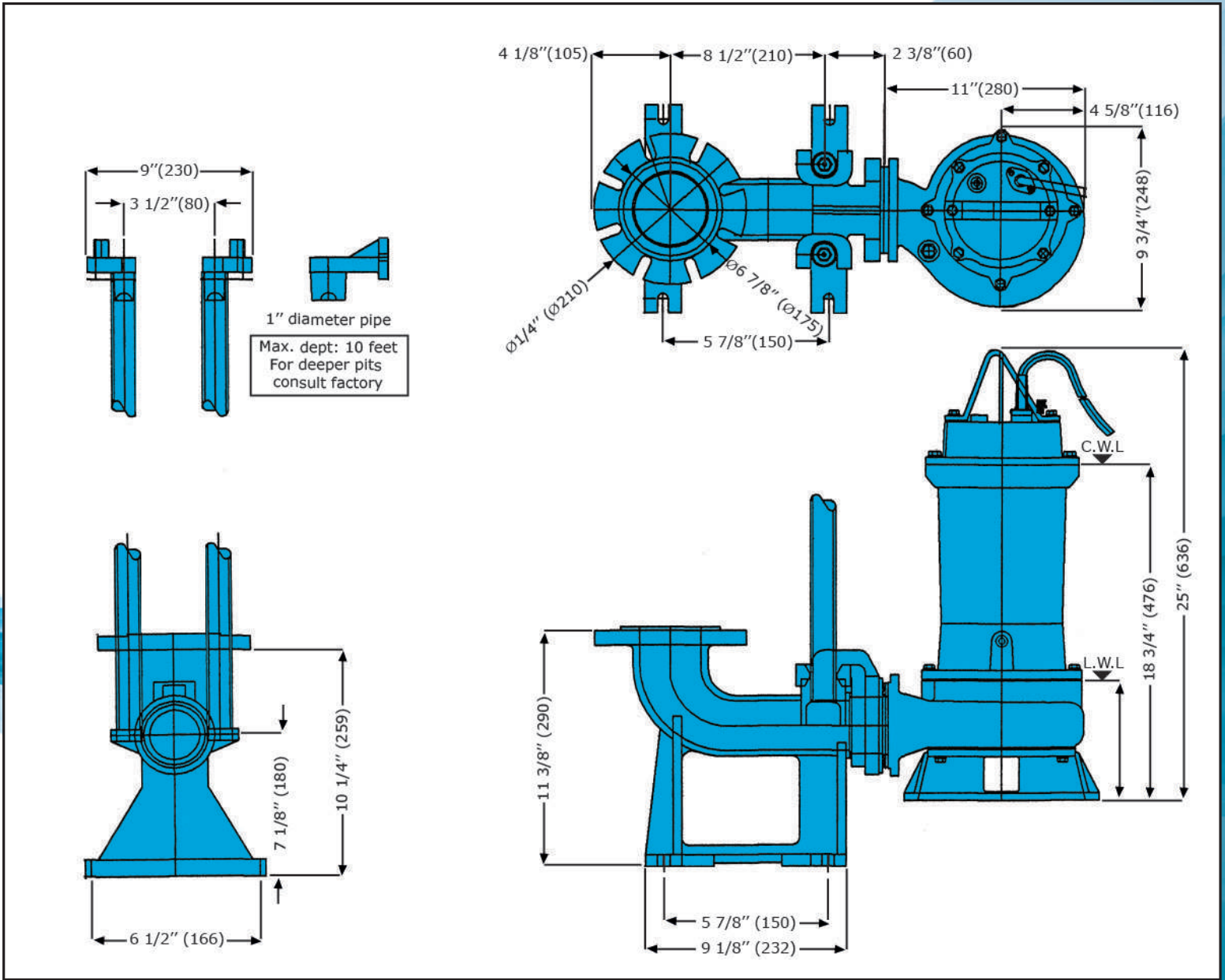
Type
CBO300-CB0400

✓	Models	A	B		C		Pressure Test lb/po/ca
			mm	in	mm	in	
	CVP0125	1 1/4" NPT	132	5 1/4	28	1 1/8	
	CVP0150	1 1/2" NPT	132	5 1/4	28	1 1/8	
	CVP0200	2" NPT	245	9 3/4	70	2 3/4	
	CVP0300	3" NPT	350	14	100	4	
	CB0125	1 1/4" NPT	119	4 11/16	135	5 5/16	150
	CB0150	1 1/2" NPT	119	4 11/16	135	5 5/16	150
	CB0200	2" NPT	157	6 3/16	175	6 7/8	150
	CB0300	3" Flanged	214	8 7/16	246	9 1/16	150
	CB0400	4" Flanged	282	11 1/8	300	11 3/16	150



SUBMERSIBLES PUMPS

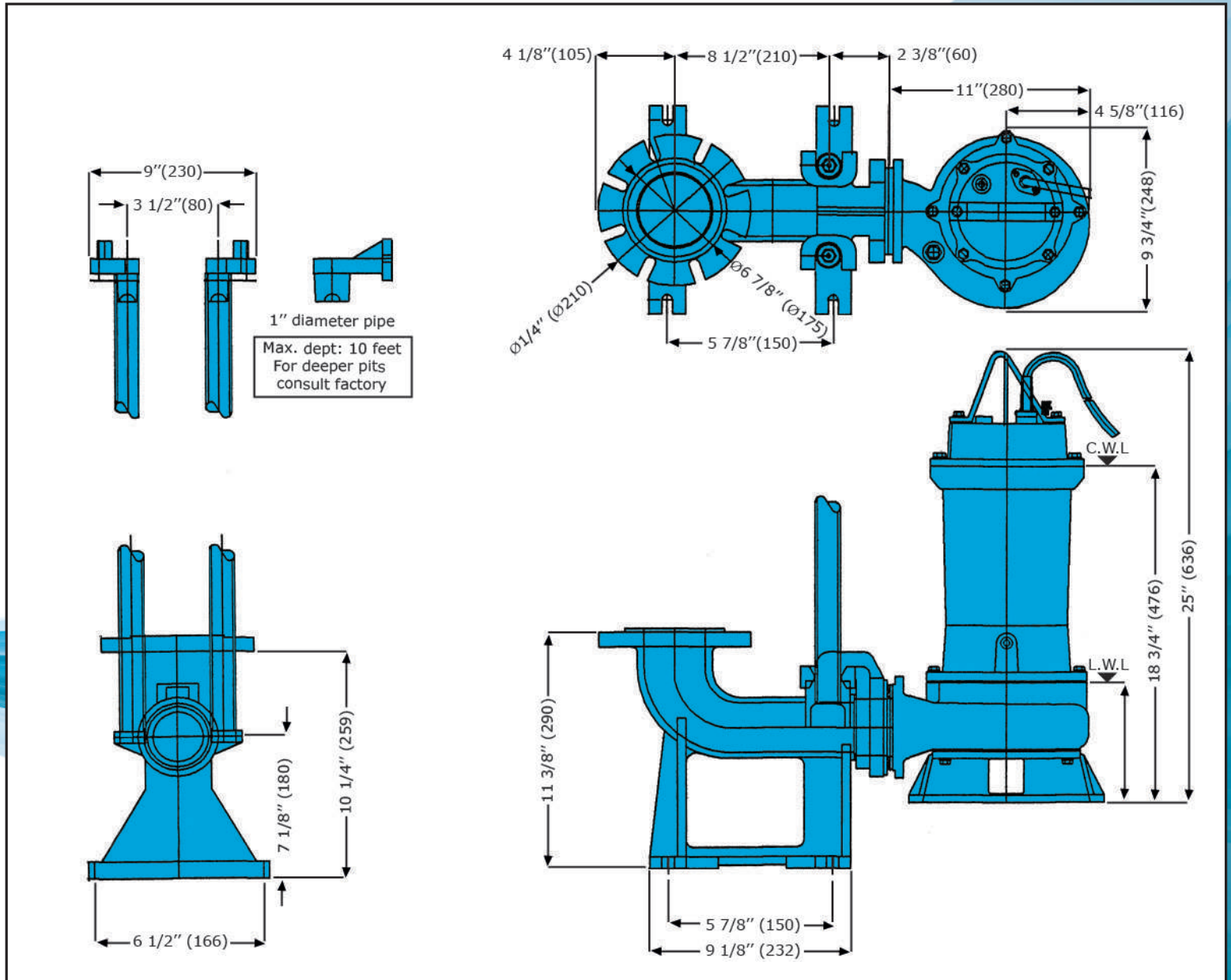
● Slide Away Coupling : LBV 25/40/75 c/w 2"



LBV - 2" Model BAF 0200

● Slide Away Coupling :

FBV - 3" & 4"



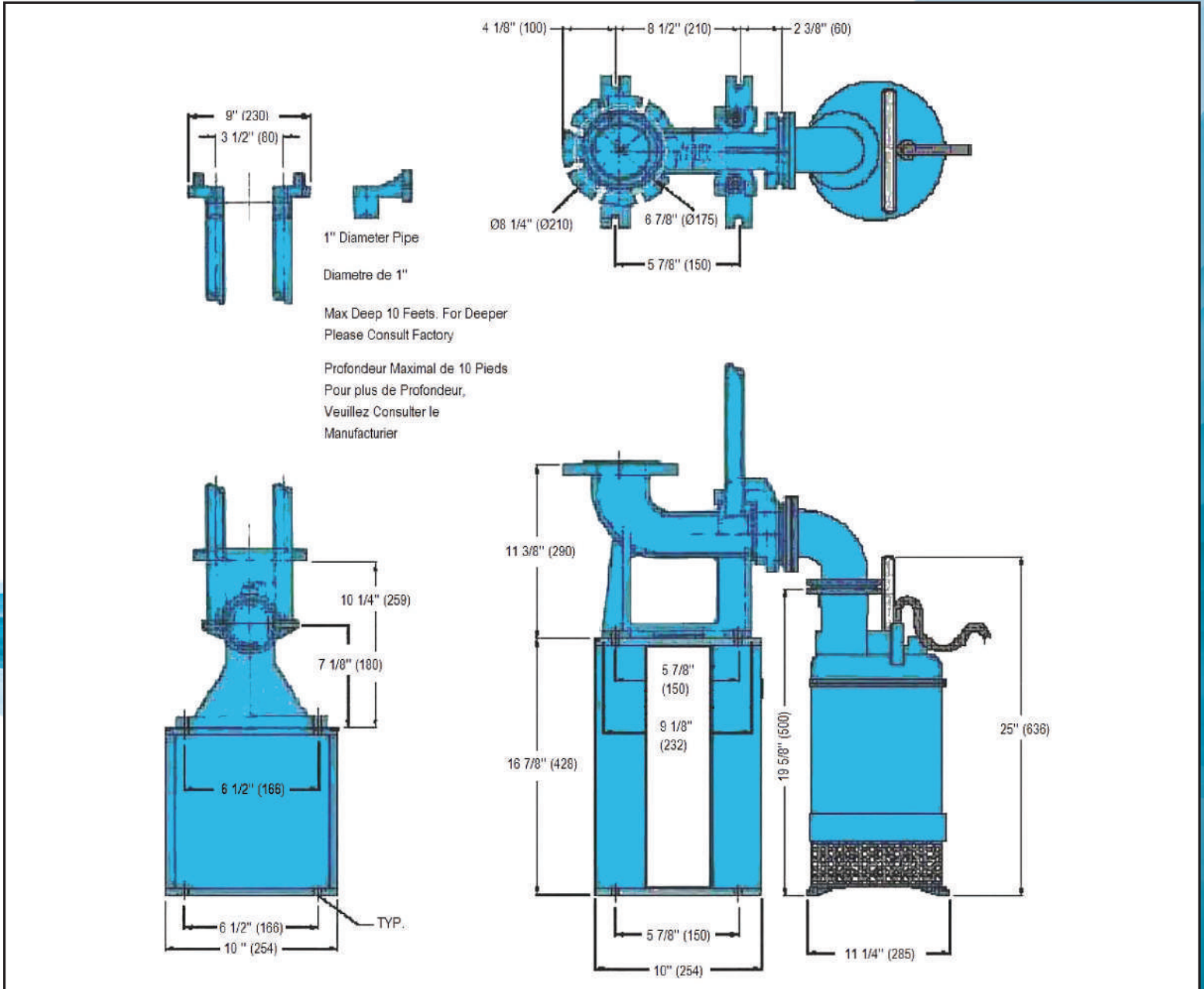
FBV - 3" Model BAF O300

FBV - 4" Model BAF O400



SUBMERSIBLE PUMPS

● Slide Away Coupling : FS 3" & 4"



FS - 3" Model BAFFS0300

FS - 4" Model BAFFS0400



18" Fiberglass Basins



√	Models	DIA X DEPTH	CAPACITY	WEIGHT
	1822FB-LC	18 X 22	24	12
	1830FB-LC	18 X 30	33	15
	1836FB-LC	18 X 36	40	18
	1842FB-LC	18 X 42	46	21
	1848FB-LC	18 X 48	53	24
	1854FB-LC	18 X 54	59	27
	1860FB-LC	18 X 60	66	30
	1866FB-LC	18 X 66	73	33
	1872FB-LC	18 X 72	79	36
	1878FB-LC	18 X 78	86	39
	1884FB-LC	18 X 84	93	42
	1890FB-LC	18 X 90	99	45
	1896FB-LC	18 X 96	106	48

Suitable for liquids up to 140°F
 Cover not included in basin price See below
 Adapt-a-flex and cast iron hubs sold separately

Longer Depths Available
Basins 48" and Deeper c/w Anti-Float
If Anti-Float not required please call for P & D

Covers for 18" Dia. Basins

BLANK
Steel / S. foam



BLANK / steel
Checker Plated



SIMPLEX
Steel / SF (1pc)



SIMPLEX 2 PC
Structural foam



√	Models	MATERIAL	WEIGHT
	18B	BLANK STEEL 3/16" THICK	14
	18BCP	BLANK STEEL checker plated	14
	18BSF	BLANK STRUCTURAL FOAM	5

√	Models	MATERIAL	WEIGHT
	18SSF*	SIMPLEX SF (1pc)	7
	SF114-2PC*	SIMPLEX SPLIT 2 PC FOAM	10
	18S*	SIMPLEX STEEL 3/16" THICK	10

*c/w 2" discharge & 3" vent flanges



FIBERGLASS BASINS

24" Fiberglass Basins



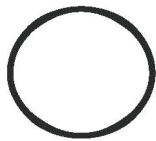
√	Models	DIA X DEPTH	CAPACITY	WEIGHT
	2424FB-LC	24 X 24	47	30
	2430FB-LC	24 X 30	59	35
	2436FB-LC	24 X 36	70	40
	2442FB-LC	24 X 42	82	45
	2448FB-LC	24 X 48	94	50
	2454FB-LC	24 X 54	106	54
	2460FB-LC	24 X 60	117	59
	2466FB-LC	24 X 66	129	64
	2472FB-LC	24 X 72	141	69
	2478FB-LC	24 X 78	153	92
	2484FB-LC	24 X 84	164	96
	2490FB-LC	24 X 90	176	100
	2496FB-LC	24 X 96	188	105

Suitable for liquids up to 140°F
 Cover not included in basin price See below
 Adapt-a-flex and cast iron hubs sold separately

Longer Depths Available
Basins 48" and Deeper c/w Anti-Float
If Anti-Float not required please call for P & D

Covers for 24" Dia. Basins

Steel / F/ S Foam



SLIMPLEX SF



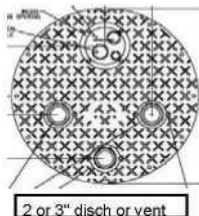
SIMPLEX / steel



BLANK / steel
 Checker Plated



DUPLEX
 Structural foam



2 or 3" disch or vent

√	Models	MATERIAL	WEIGHT
	24B	BLANK STEEL 3/16" THICK	48
	24BCP	BLANK STEEL checker plated	48
	24BF	BLANK FIBERGLASS	18
	SF24B-BL	BLANK STUCTURAL FOAM	20
	SF24S-BL*	SIMPLEX STUCTURAL FOAM	22
	LB-10-S2401-1	SIMPLEX STEEL 10 gauge	
	24SI	SIMPLEX STEEL 3/16" THICK	50
	SF24D-BL*	DUPLEX STUCTURAL FOAM	24
	JC24H	3/16" STEEL HINGED DOOR COVER	

*c/w 2" discharge & 3" vent flanges

Go to www.flofab.com in Our Products Section to see the Master Spec - <http://www.arcomnet.com/masterspec/>



FIBERGLASS BASINS

30" Fiberglass Basins

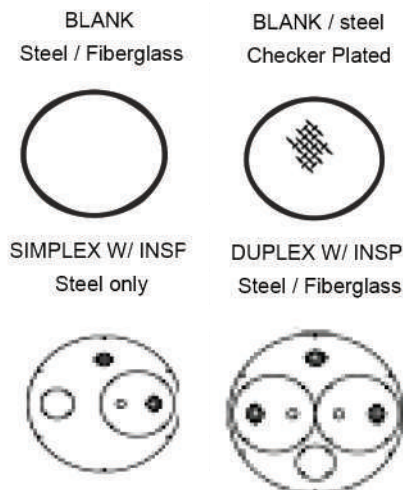


√	Models	DIA X DEPTH	CAPACITY	WEIGHT
	3030FB-LC	30 X 30	92	46
	3036FB-LC	30 X 36	110	52
	3042FB-LC	30 X 42	129	58
	3048FB-LC	30 X 48	147	64
	3054FB-LC	30 X 54	165	70
	3060FB-LC	30 X 60	184	76
	3066FB-LC	30 X 66	202	112
	3072FB-LC	30 X 72	220	118
	3078FB-LC	30 X 78	239	125
	3084FB-LC	30 X 84	257	133
	3090FB-LC	30 X 90	275	141
	3096FB-LC	30 X 96	294	148

Suitable for liquids up to 140°F
 Cover not included in basin price See below
 Adapt-a-flex and cast iron hubs sold separately

Longer Depths Available
Basins 48" and Deeper c/w Anti-Float
If Anti-Float not required please call for P & D

Covers for 30" Dia. Basins



√	Models	MATERIAL	WEIGHT
	30B	BLANK STEEL 3/16" THICK	65
	30BCP	BLANK STEEL checker plated	65
	30BF	BLANK FIBERGLASS	20
	LB-10S3001	SIMPLEX STEEL 10 gauge	
	30SI*	SIMPLEX STEEL 3/16" THICK	69
	30DIF*	DUPLEX FIBERGLASS	30
	LB-10S3002	DUPLEX STEEL 10 gauge	
	30DI*	DUPLEX STEEL 3/16" THICK	75
	JC30H	3/16" STEEL HINGED DOOR COVER	

*c/w 2" discharge & 3" vent flanges



FIBERGLASS BASINS

36" Fiberglass Basins



✓	Models	DIA X DEPTH	CAPACITY	WEIGHT
	3636FB-LC	36 X 36	159	65
	3642FB-LC	36 X 42	185	71
	3648FB-LC	36 X 48	211	78
	3654FB-LC	36 X 54	238	86
	3660FB-LC	36 X 60	264	93
	3666FB-LC	36 X 66	291	159
	3672FB-LC	36 X 72	317	168
	3678FB-LC	36 X 78	344	177
	3684FB-LC	36 X 84	370	186
	3690FB-LC	36 X 90	397	196
	3696FB-LC	36 X 96	423	205

Suitable for liquids up to 140°F
 Cover not included in basin price See below
 Adapt-a-flex and cast iron hubs sold separately

Longer Depths Available
Basins 48" and Deeper c/w Anti-Float
If Anti-Float not required please call for P & D

Covers for 36" Dia. Basins

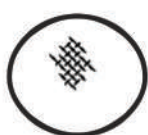
BLANK
Steel / Fiberglass



SIMPLEX W/ INSP
Steel only



BLANK / steel
Checker Plated



DUPLEX W/ INSP
Steel / Fiberglass



✓	Models	MATERIAL	WEIGHT
	36B	BLANK STEEL 3/16" THICK	90
	36BCP	BLANK STEEL checker plated	90
	36BF	BLANK FIBERGLASS	30
	LB-10S3601	SIMPLEX STEEL 10 gauge	
	36SI*	SIMPLEX STEEL 3/16" THICK	95
	LB-10S3602	DUPLEX STEEL 10 gauge	
	36DI*	DUPLEX STEEL 3/16" THICK	110
	JC36H	1/4" STEEL HINGED DOOR COVER	

*c/w 2" discharge & 3" vent flanges



42" Fiberglass Basins

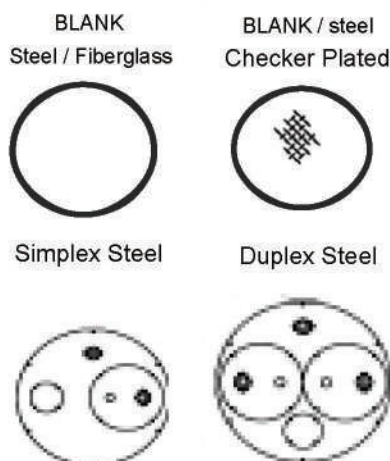


√	Models	DIA X DEPTH	CAPACITY	WEIGHT
	4230FB-LC	42 X 30	180	81
	4236FB-LC	42 X 36	216	94
	4242FB-LC	42 X 42	252	105
	4248FB-LC	42 X 48	288	116
	4254FB-LC	42 X 54	324	128
	4260FB-LC	42 X 60	360	139
	4266FB-LC	42 X 66	396	183
	4272FB-LC	42 X 72	432	194
	4278FB-LC	42 X 78	468	208
	4284FB-LC	42 X 84	504	221
	4290FB-LC	42 X 90	540	235
	4296FB-LC	42 X 96	576	249

Suitable for liquids up to 140°F
 Cover not included in basin price See below
 Adapt-a-flex and cast iron hubs sold separately

Longer Depths Available
Basins 48" and Deeper c/w Anti-Float
If Anti-Float not required please call for P & D

Covers for 42" Dia. Basins



√	Models	MATERIAL	WEIGHT
	42B	BLANK STEEL 3/16" THICK	128
	42BCP	BLANK STEEL checker plated	128
	42BF	BLANK FIBERGLASS	40
	42SI*	SIMPLEX STEEL 1/4" THICK	135
	42DI*	DUPLEX STEEL 1/4" THICK	140
	LB-S42HDC	1/4" STEEL HINGED DOOR COVER	

*c/w 2" discharge & 3" vent flanges



FIBERGLASS BASINS

48" Fiberglass Basins



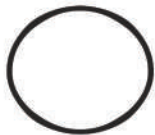
√	Models	DIA X DEPTH	CAPACITY	WEIGHT
	4830FB-LC	48 X 30	235	97
	4836FB-LC	48 X 36	282	110
	4842FB-LC	48 X 42	329	123
	4848FB-LC	48 X 48	376	136
	4854FB-LC	48 X 54	423	148
	4860FB-LC	48 X 60	470	161
	4866FB-LC	48 X 66	517	244
	4872FB-LC	48 X 72	564	260
	4878FB-LC	48 X 78	611	280
	4884FB-LC	48 X 84	658	299
	4890FB-LC	48 X 90	705	318
	4896FB-LC	48 X 96	752	338

Suitable for liquids up to 140°F
 Cover not included in basin price See below
 Adapt-a-flex and cast iron hubs sold separately

Longer Depths Available
Basins 48" and Deeper c/w Anti-Float
If Anti-Float not required please call for P & D

Covers for 48" Dia. Basins

BLANK
Steel / Fiberglass



SIMPLEX W/ INSP
Steel only



BLANK / steel
Checker Plated



DUPLEX W/ INSP
Steel / Fiberglass



√	Models	MATERIAL	WEIGHT
	48B	BLANK STEEL 1/4" THICK	165
	48BCP	BLANK STEEL checker plated	165
	48BF	BLANK FIBERGLASS	65
	48SI*	SIMPLEX STEEL 1/4" THICK	170
	48DI*	DUPLEX STEEL 1/4" THICK	180
	JC48H	1/4" STEEL HINGED DOOR COVER	

*c/w 2" discharge & 3" vent flanges



FIBERGLASS BASINS

60" Fiberglass Basins



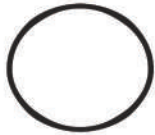
√	Models	DIA X DEPTH	CAPACITY	WEIGHT
	6036FB-LC	60 X 36	440	309
	6042FB-LC	60 X 42	514	334
	6048FB-LC	60 X 48	587	358
	6054FB-LC	60 X 54	661	382
	6060FB-LC	60 X 60	734	406
	6066FB-LC	60 X 66	808	430
	6072FB-LC	60 X 72	881	454
	6078FB-LC	60 X 78	955	483
	6084FB-LC	60 X 84	1028	512
	6090FB-LC	60 X 90	1102	540
	6096FB-LC	60 X 96	1175	569

Suitable for liquids up to 140°F
 Cover not included in basin price See below
 Adapt-a-flex and cast iron hubs sold separately

Longer Depths Available
Basins 48" and Deeper c/w Anti-Float
If Anti-Float not required please call for P & D

Covers for 60" Dia. Basins

BLANK
Steel / Fiberglass



SIMPLEX W/ INSP
Steel only



BLANK / steel
Checker Plated



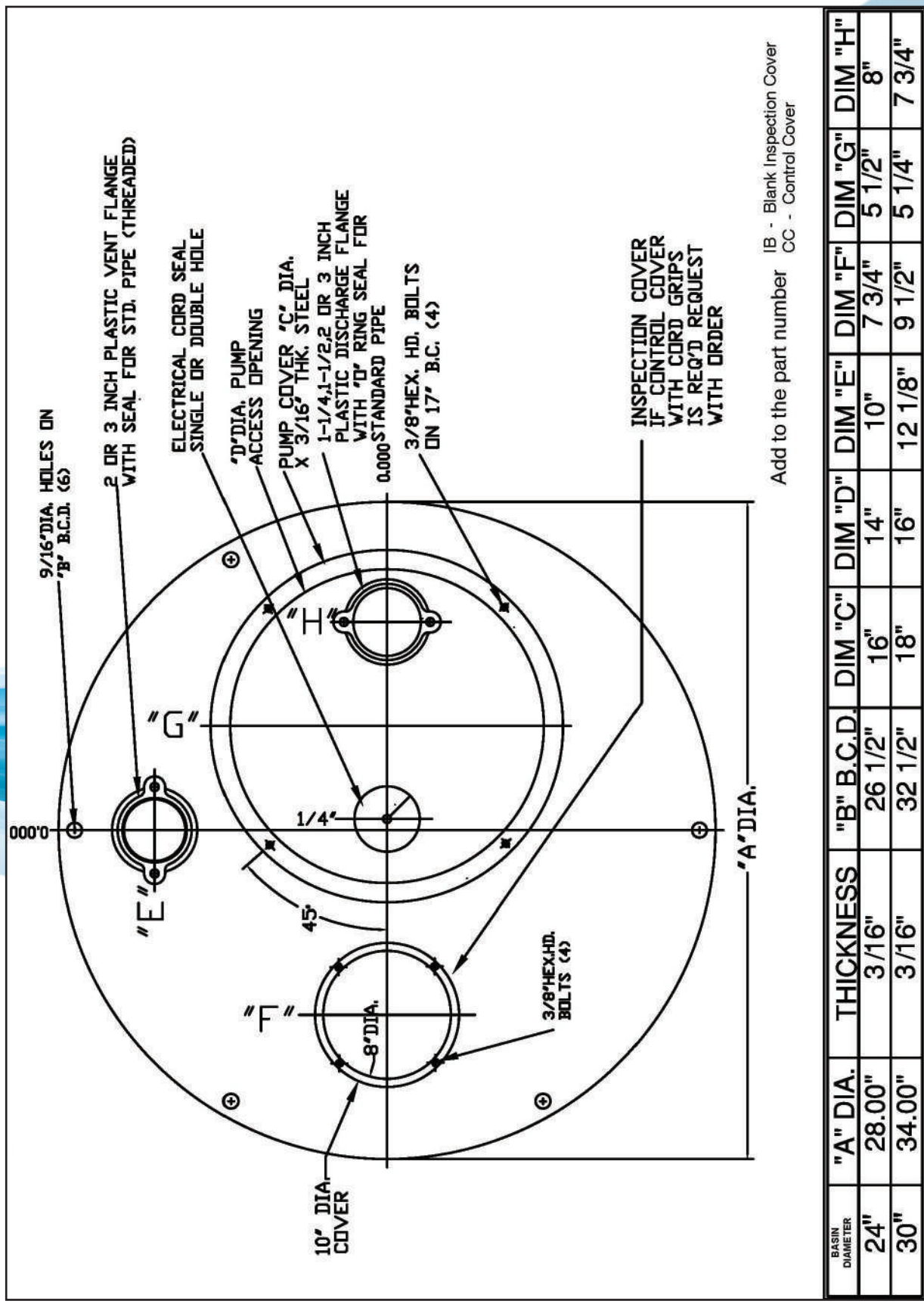
DUPLEX W/ INSP
Steel / Fiberglass



√	Models	MATERIAL	WEIGHT
	60B	BLANK STEEL 1/4" THICK	365
	60BCP	BLANK STEEL checker plated	365
	60BF	BLANK FIBERGLASS	75
	60SI*	SIMPLEX STEEL 1/4" THICK	380
	60DI*	DUPLEX STEEL 1/4" THICK	395
	LB-S60HDC	3/8" STEEL HINGED DOOR COVER	

*c/w 2" discharge & 3" vent flanges

Simplex Metal Covers

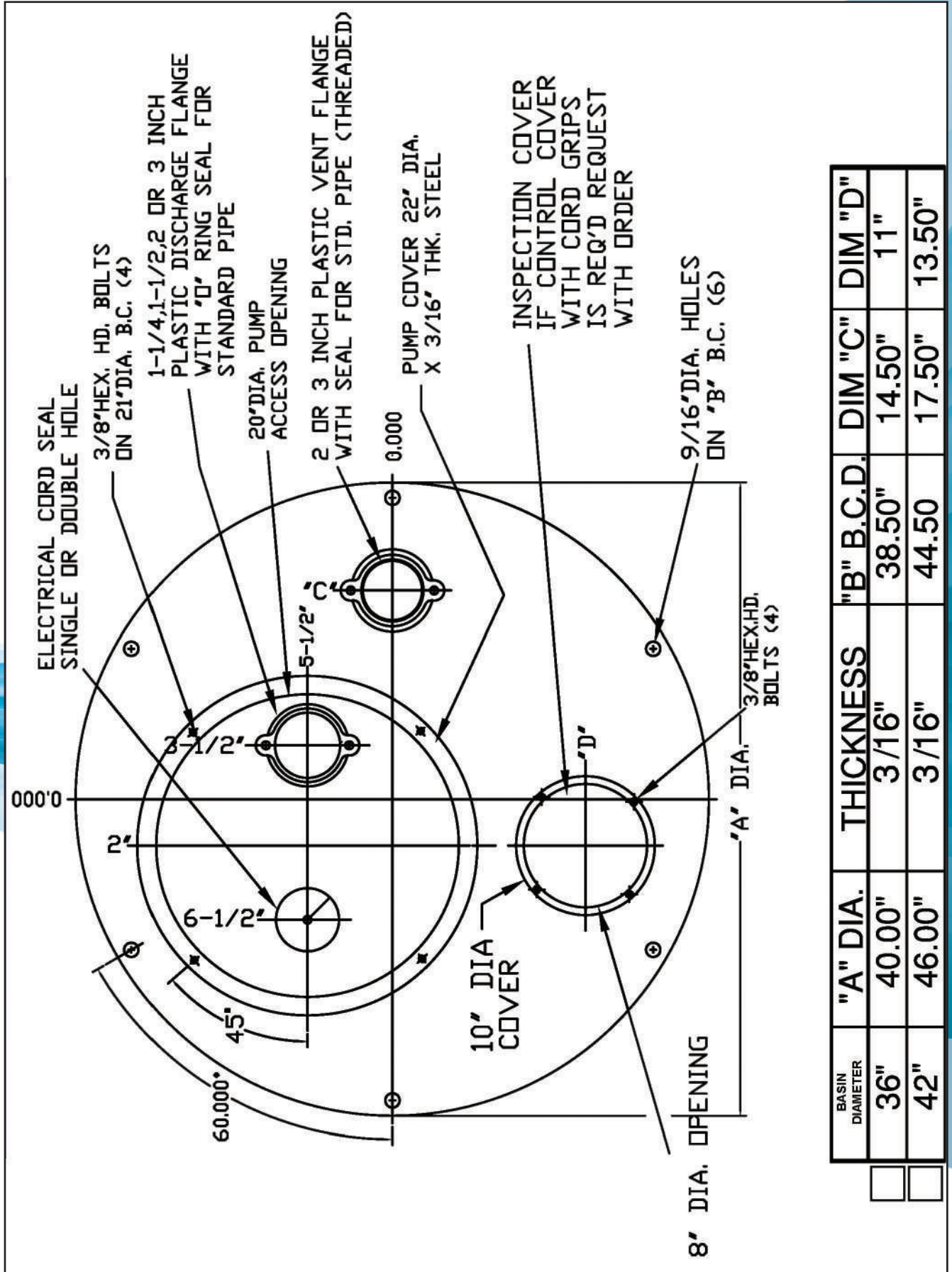


BASIN DIAMETER	"A" DIA.	THICKNESS	"B" B.C.D.	DIM "C"	DIM "D"	DIM "E"	DIM "F"	DIM "G"	DIM "H"
24"	28.00"	3/16"	26 1/2"	16"	14"	10"	7 3/4"	5 1/2"	8"
30"	34.00"	3/16"	32 1/2"	18"	16"	12 1/8"	9 1/2"	5 1/4"	7 3/4"



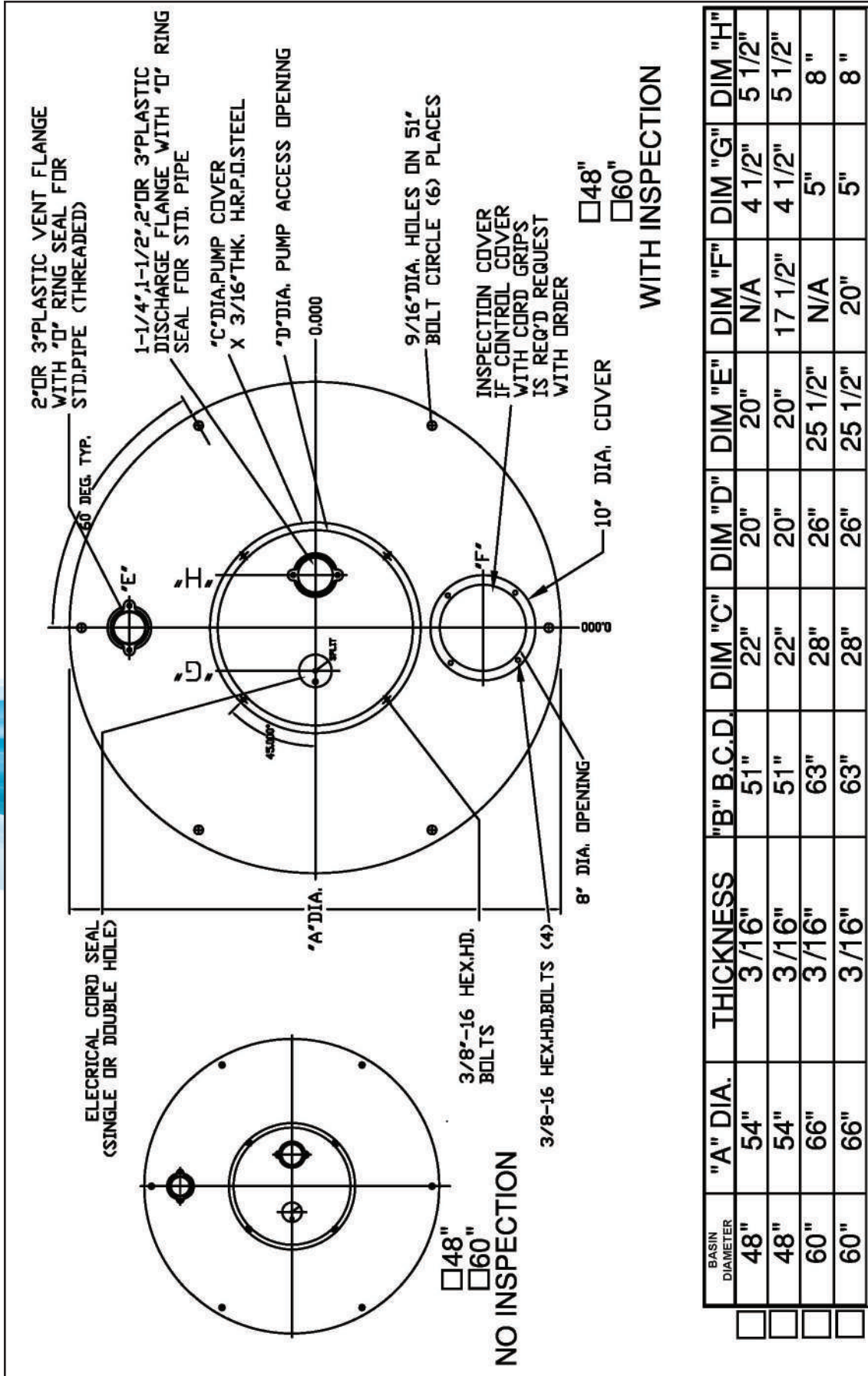
SIMPLEX METAL COVER

Simplex Metal Covers



BASIN DIAMETER	"A" DIA.	THICKNESS	"B" B.C.D.	DIM "C"	DIM "D"
36"	40.00"	3/16"	38.50"	14.50"	11"
42"	46.00"	3/16"	44.50"	17.50"	13.50"

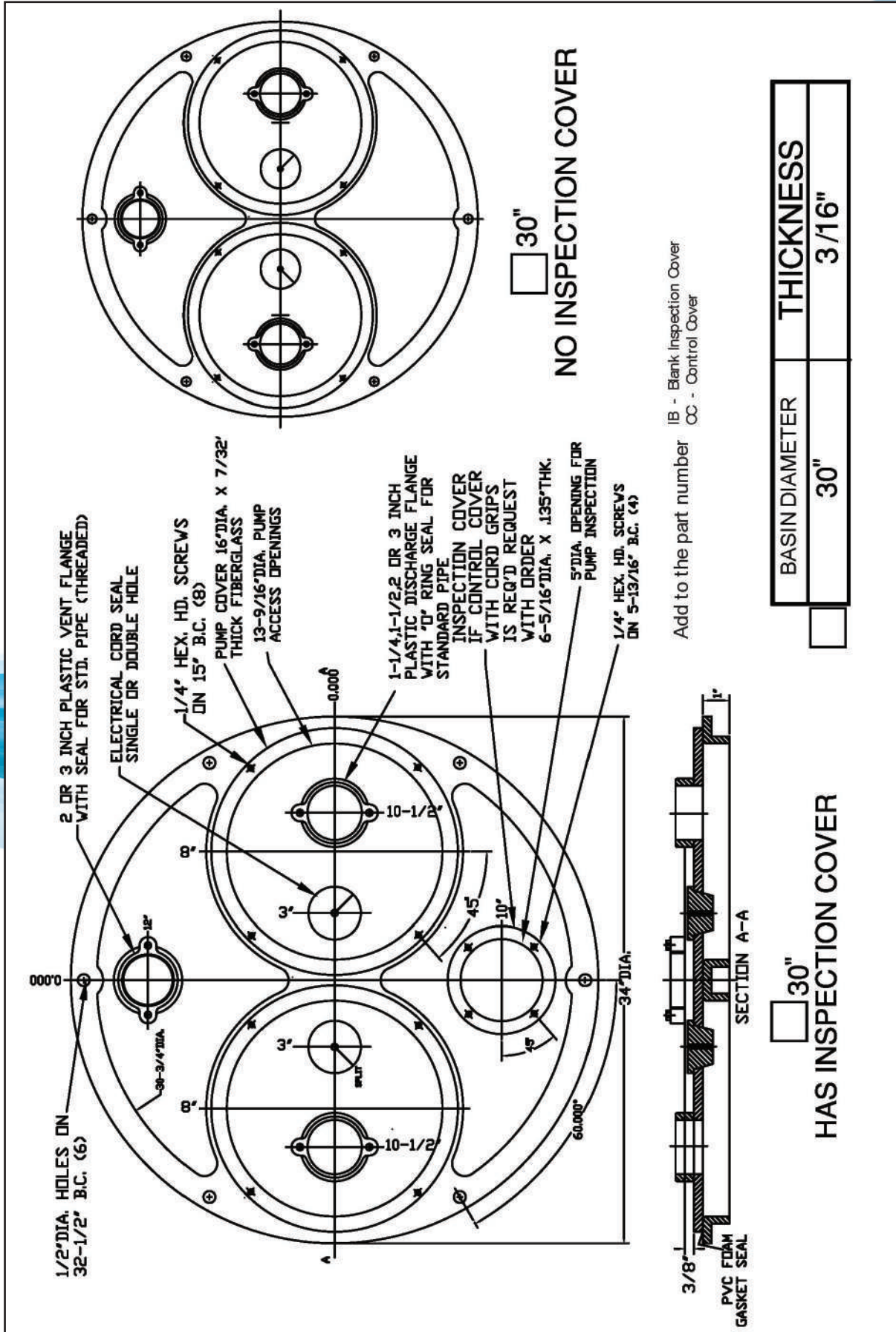
Simplex Metal Covers



30" Fiberglass Duplex Covers



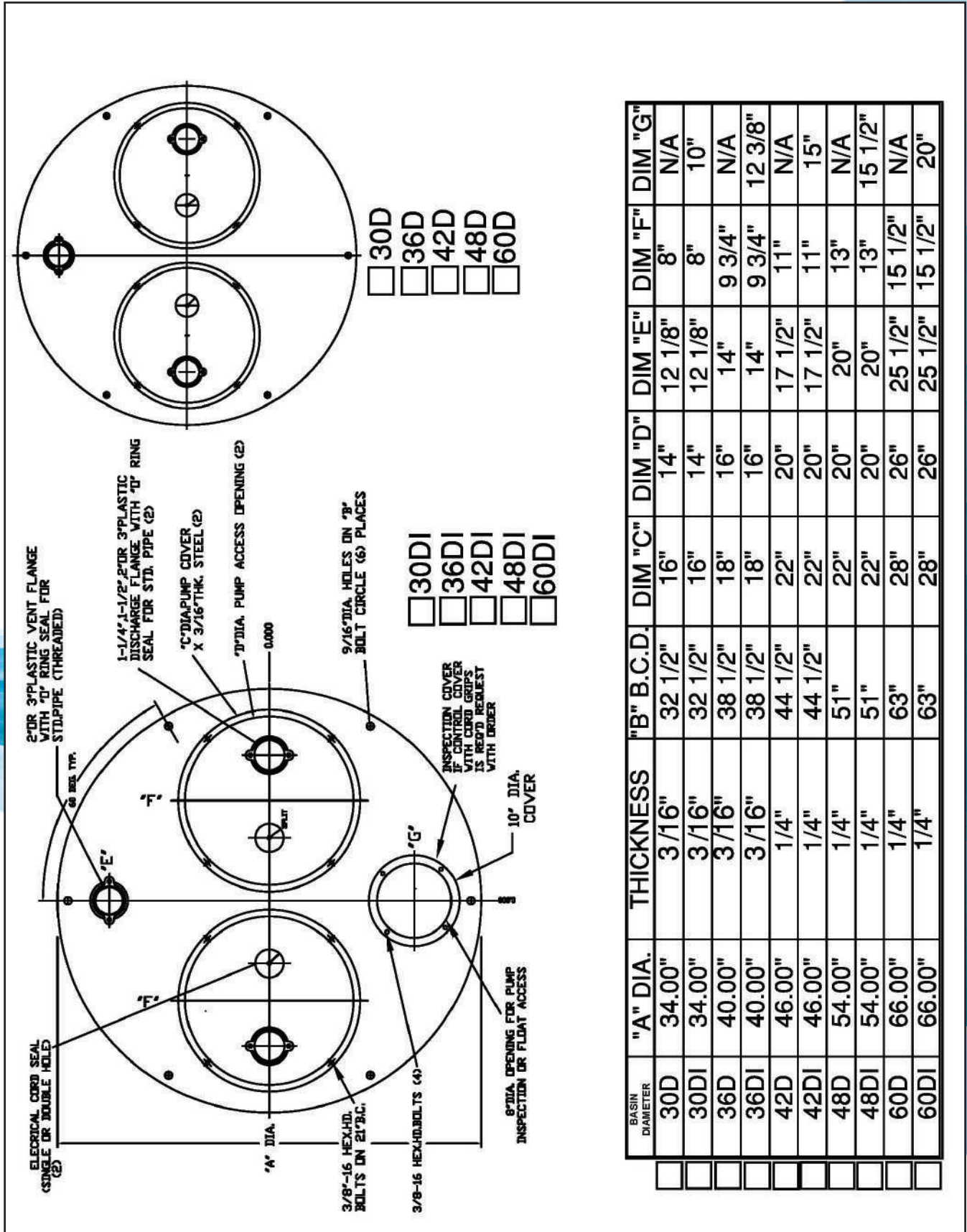
FIBERGLASS DUPLEX COVER





DUPLEX METAL COVER

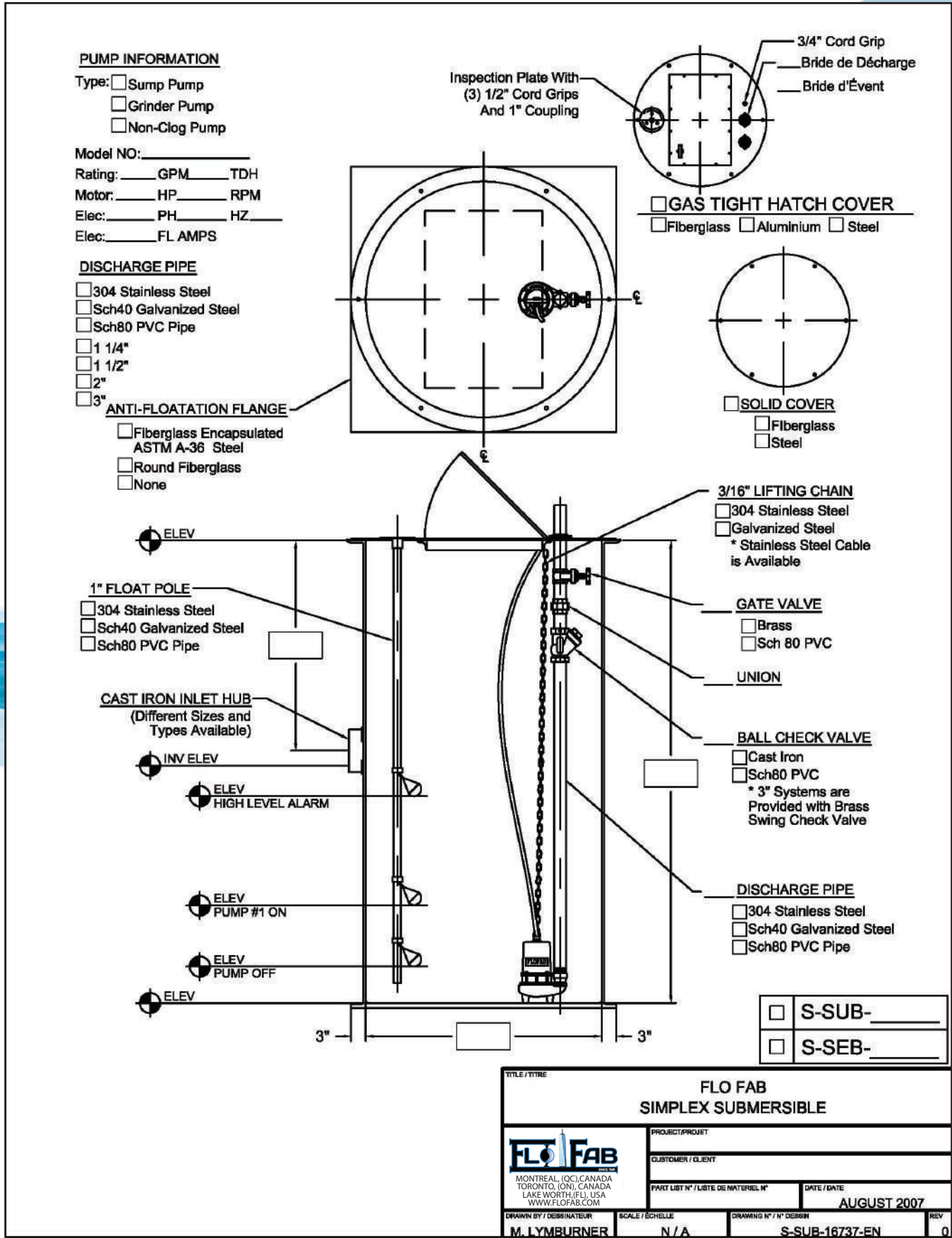
Duplex Metal Covers



BASIN DIAMETER	"A" DIA.	THICKNESS	"B" B.C.D.	DIM "C"	DIM "D"	DIM "E"	DIM "F"	DIM "G"
30D	34.00"	3/16"	32 1/2"	16"	14"	12 1/8"	8"	N/A
30DI	34.00"	3/16"	32 1/2"	16"	14"	12 1/8"	8"	10"
36D	40.00"	3/16"	38 1/2"	18"	16"	14"	9 3/4"	N/A
36DI	40.00"	3/16"	38 1/2"	18"	16"	14"	9 3/4"	12 3/8"
42D	46.00"	1/4"	44 1/2"	22"	20"	17 1/2"	11"	N/A
42DI	46.00"	1/4"	44 1/2"	22"	20"	17 1/2"	11"	15"
48D	54.00"	1/4"	51"	22"	20"	20"	13"	N/A
48DI	54.00"	1/4"	51"	22"	20"	20"	13"	15 1/2"
60D	66.00"	1/4"	63"	28"	26"	25 1/2"	15 1/2"	N/A
60DI	66.00"	1/4"	63"	28"	26"	25 1/2"	15 1/2"	20"

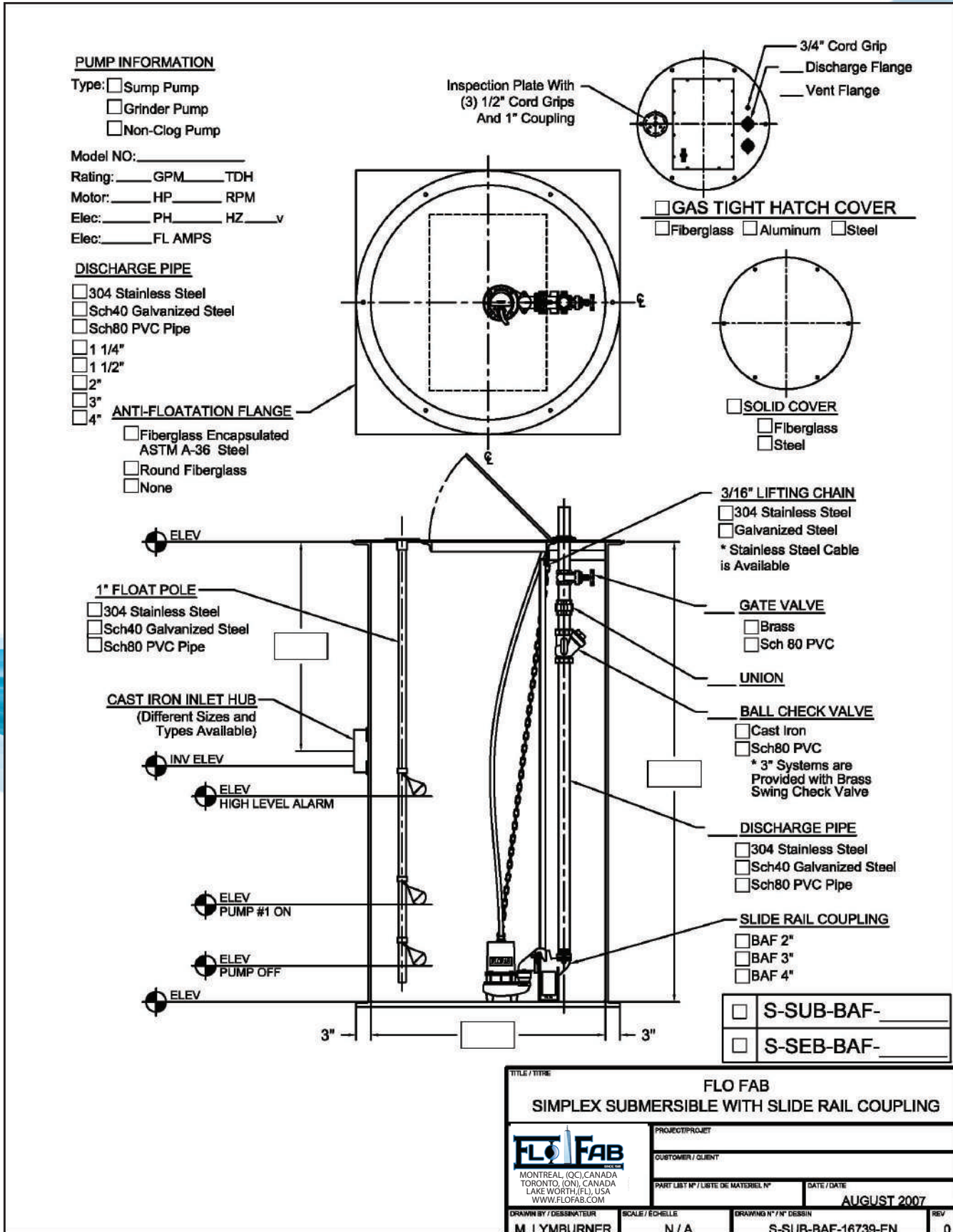


SIMPLEX SUBMERSIBLE





SIMPLEX SUBMERSIBLE





SIMPLEX SUBMERSIBLE

PUMP INFORMATION

- Type: Sump Pump
 Grinder Pump
 Non-Clog Pump

Model NO: _____
 Rating: _____ GPM _____ TDH
 Motor: _____ HP _____ RPM
 Elec: _____ PH _____ HZ _____ v
 Elec: _____ FL AMPS

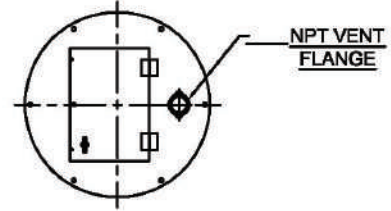
DISCHARGE PIPE

- 304 Stainless Steel
 Sch40 Galvanized Steel
 Sch80 PVC Pipe
 1 1/4"
 1 1/2"
 2"
 3"

ANTI-FLOATATION FLANGE

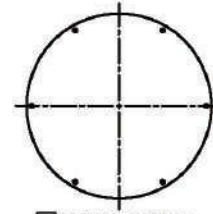
- Fiberglass Encapsulated
 ASTM A-36 Steel
 Round Fiberglass
 None

**304 STAINLESS STEEL
 FLOAT BRACKET WITH
 (3) CORD GRIPS**
 Floats



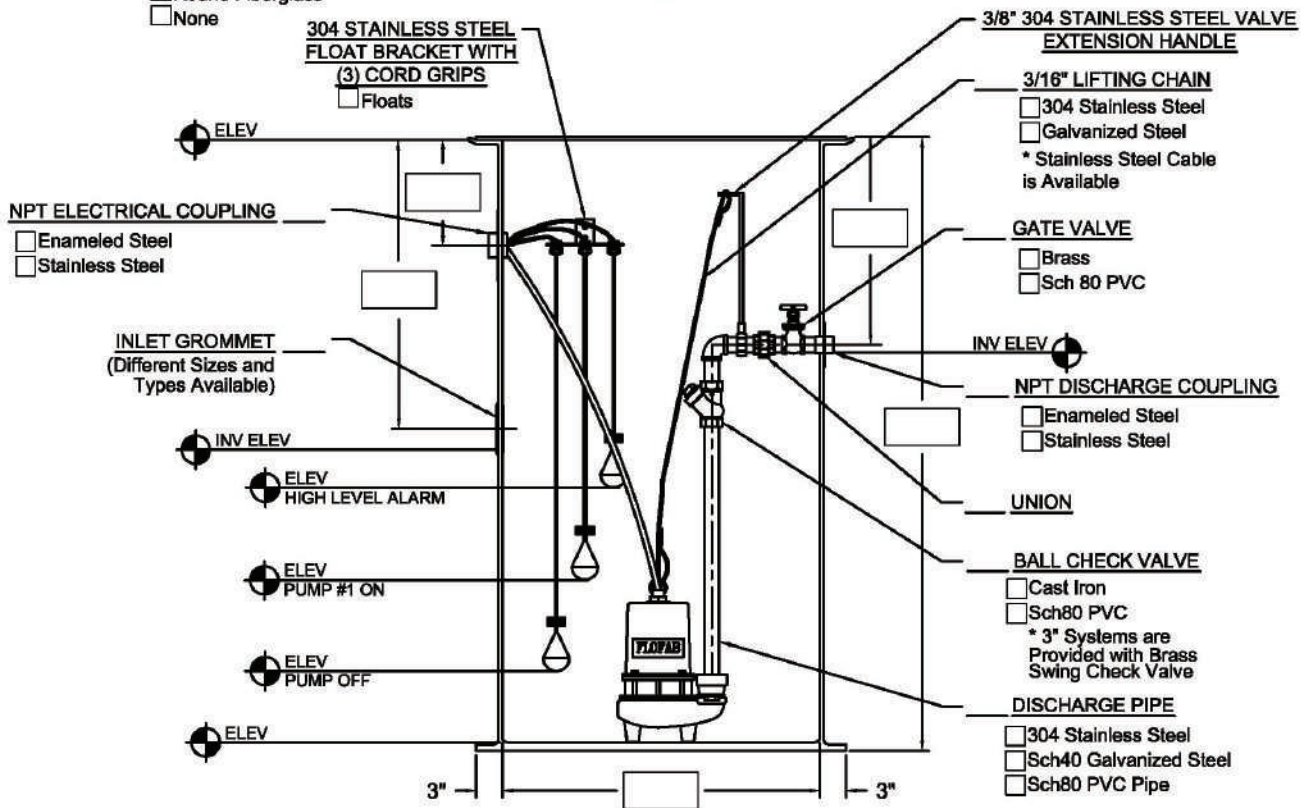
HINGED AND LOCKABLE COVER

- Fiberglass Aluminum Steel



SOLID COVER

- Fiberglass
 Steel



- S-SUB- _____
 S-SEB- _____

TITLE / TITRE FLO FAB SIMPLEX SUBMERSIBLE			
PROJECT / PROJET			
CUSTOMER / CLIENT			
PART LIST N° / LISTE DE MATERIEL N°		DATE / DATE	
		AUGUST 2007	
DRAWN BY / DESIGNATEUR	SCALE / ECHELLE	DRAWING N° / N° DESSIN	REV
M. LYMBURNER	N/A	S-SUB-10148-EN	0



SIMPLEX SUBMERSIBLE

PUMP INFORMATION

- Type: Sump Pump
 Grinder Pump
 Non-Clog Pump

Model NO: _____
 Rating: _____ GPM _____ TDH
 Motor: _____ HP _____ RPM
 Elec: _____ PH _____ HZ _____ V
 Elec: _____ FL AMPS

DISCHARGE PIPE

- 304 Stainless Steel
 Sch40 Galvanized Steel
 Sch80 PVC Pipe
 1 1/4"
 1 1/2"
 2"
 3"

ANTI-FLOATATION FLANGE

- Fiberglass Encapsulated
 ASTM A-36 Steel
 Round Fiberglass
 None

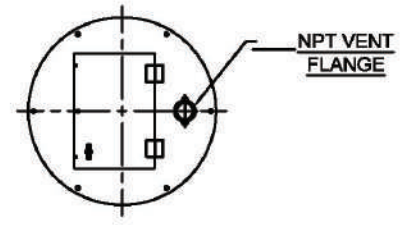
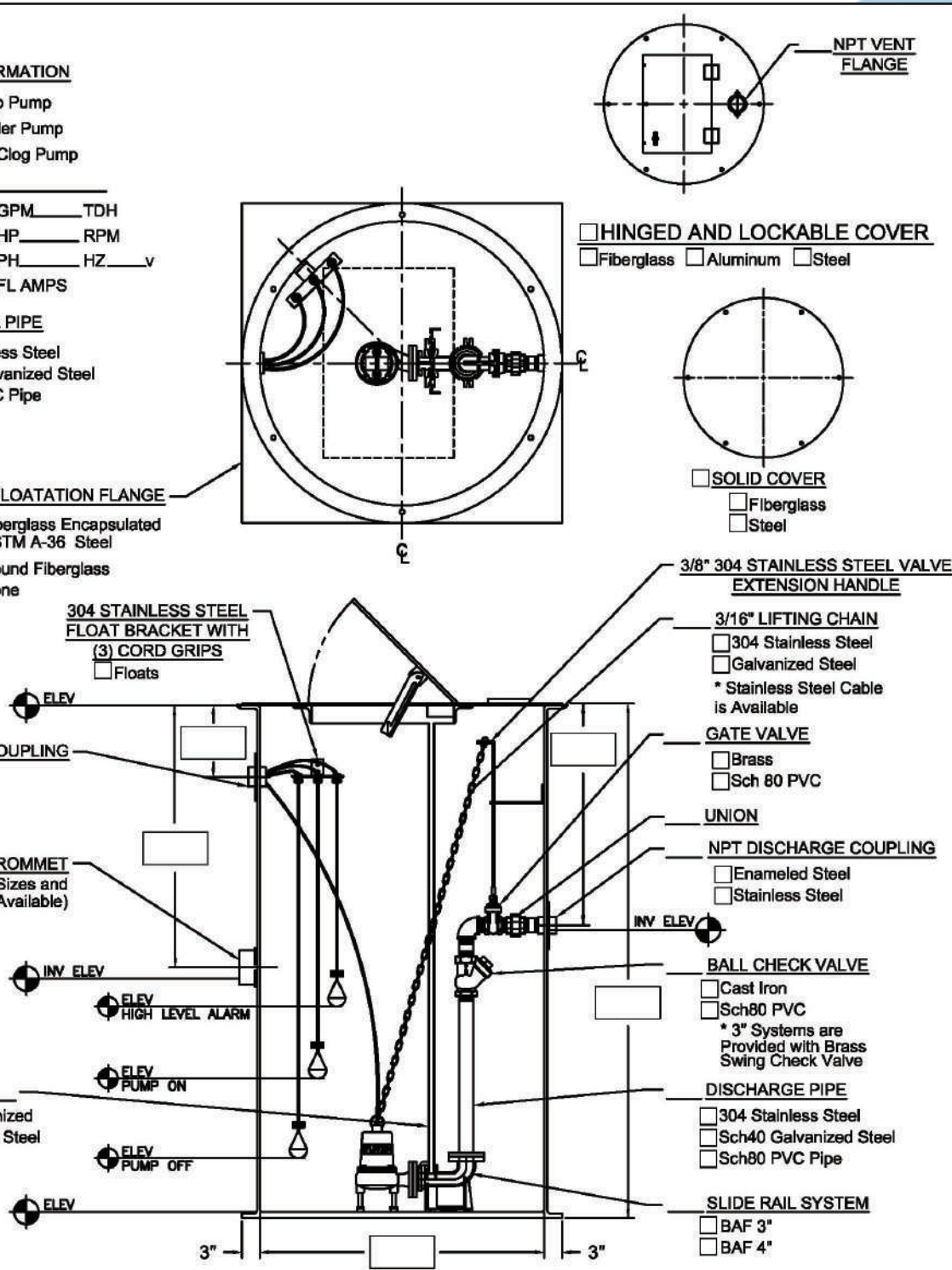
**304 STAINLESS STEEL
 FLOAT BRACKET WITH
 (3) CORD GRIPS**
 Floats

NPT ELECTRICAL COUPLING

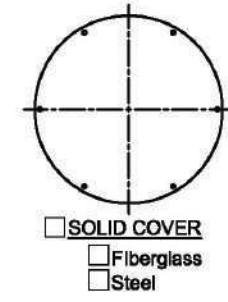
- Enameled Steel
 Stainless Steel

INLET GROMMET
 (Different Sizes and
 Types Available)

GUIDERAIL
 Sch40 Galvanized
 304 Stainless Steel



HINGED AND LOCKABLE COVER
 Fiberglass Aluminum Steel



SOLID COVER
 Fiberglass
 Steel

**3/8" 304 STAINLESS STEEL VALVE
 EXTENSION HANDLE**

3/16" LIFTING CHAIN
 304 Stainless Steel
 Galvanized Steel
 * Stainless Steel Cable
 is Available

GATE VALVE

- Brass
 Sch 80 PVC

UNION

NPT DISCHARGE COUPLING

- Enameled Steel
 Stainless Steel

BALL CHECK VALVE

- Cast Iron
 Sch80 PVC
 * 3" Systems are
 Provided with Brass
 Swing Check Valve

DISCHARGE PIPE

- 304 Stainless Steel
 Sch40 Galvanized Steel
 Sch80 PVC Pipe

SLIDE RAIL SYSTEM

- BAF 3"
 BAF 4"

TITLE / TITRE			
FLO FAB SIMPLEX SUBMERSIBLE			
PROJECT/PROJET			
CUSTOMER / CLIENT			
PART LIST N° / LISTE DE MATERIEL N°		DATE / DATE	
		AUGUST 2007	
DRAWN BY / DESSINATEUR		SCALE / ÉCHELLE	
M. LYMBURNER		N/A	
DRAWING N° / N° DESEIN		REV	
S-SUB-10144-EN			

- S-SUB-BAF- _____
 S-SEB-BAF- _____



SIMPLEX SUBMERSIBLE

PUMP INFORMATION

- Type: Sump Pump
 Grinder Pump
 Non-Clog Pump

Model NO: _____
 Rating: _____ GPM _____ TDH
 Motor: _____ HP _____ RPM
 Elec: _____ PH _____ HZ _____ V
 Elec: _____ FL AMPS

DISCHARGE PIPE

- 304 Stainless Steel
 Sch40 Galvanized Steel
 Sch80 PVC Pipe
 3"
 4"

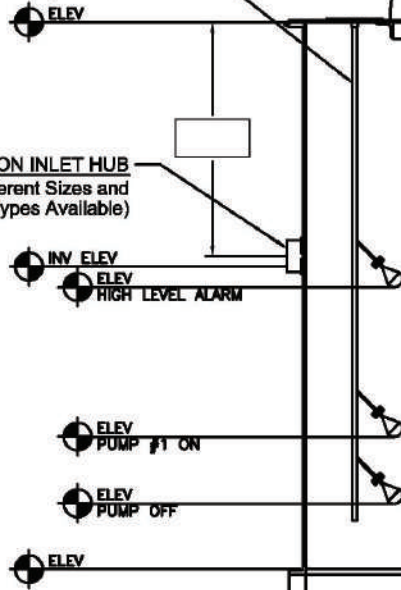
ANTI-FLOATATION FLANGE

- Fiberglass Encapsulated
 ASTM A-36 Steel
 Round Fiberglass
 None

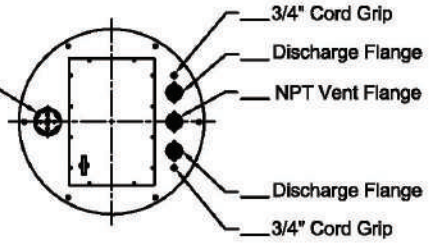
1" FLOAT POLE

- 304 Stainless Steel
 Sch40 Galvanized Steel
 Sch80 PVC Pipe

CAST IRON INLET HUB
 (Different Sizes and Types Available)

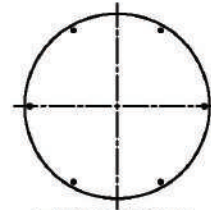


Inspection Plate With
 (4) 1/2" Cord Grips
 And 1" Coupling



GAS TIGHT HATCH COVER

- Fiberglass Aluminum Steel



SOLID COVER

- Fiberglass
 Steel

DISCHARGE PIPE

- 304 Stainless Steel
 Sch40 Galvanized Steel
 Sch80 PVC Pipe

3/16" LIFTING CHAIN

- 304 Stainless Steel
 Galvanized Steel
 * Stainless Steel Cable is Available

PLUG VALVE

- * Gate Valves Also Available
 3"
 4"

CAST IRON SWING CHECK VALVE

- 3"
 4"

GUIDERAIL

- Sch40 Galvanized
 304 Stainless Steel

SLIDE RAIL FLANGE

- BAF 3"
 BAF 4"

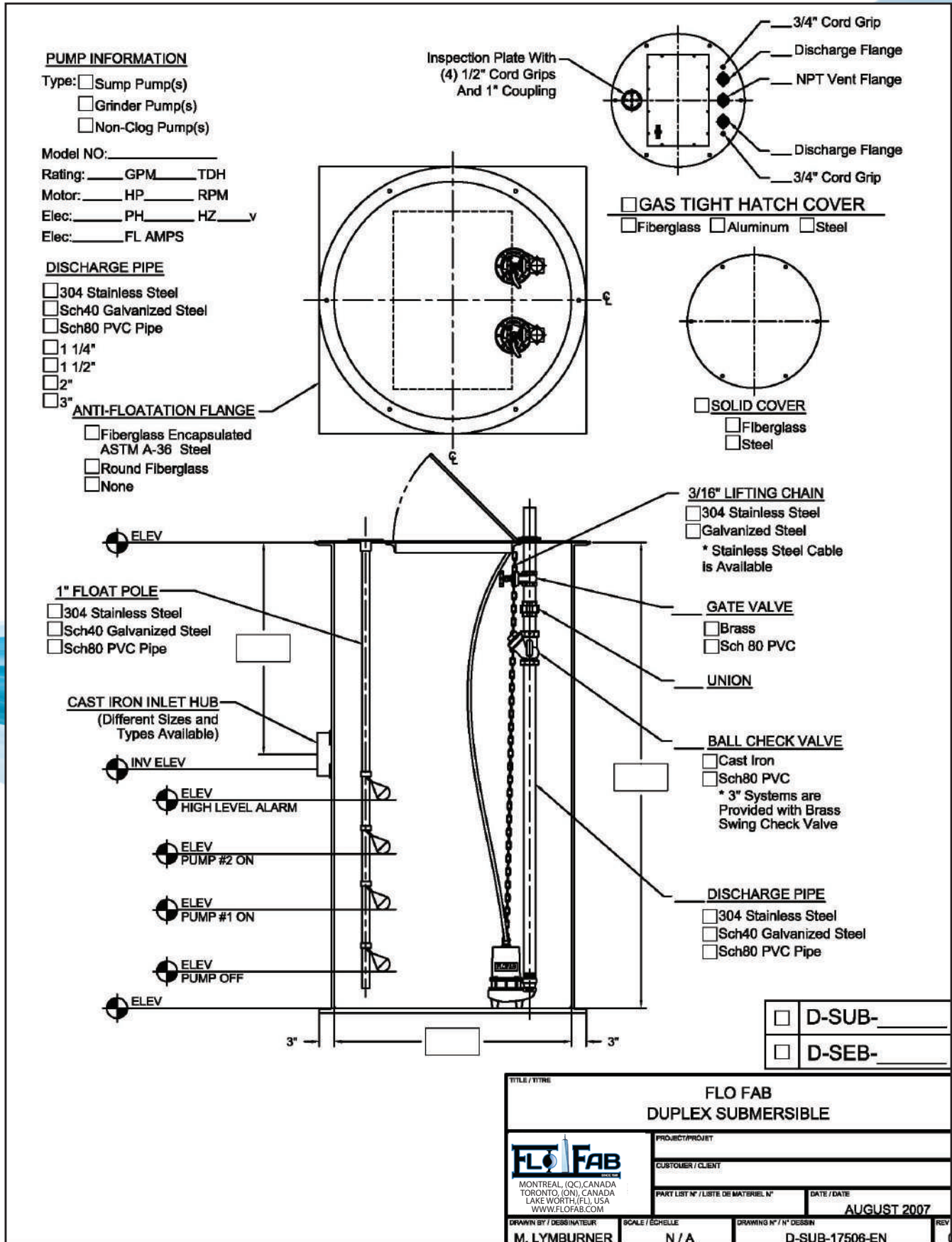
S-SUB-BAF-_____

S-SEB-BAF-_____

TITLE / TITRE FLO FAB SIMPLEX SUBMERSIBLE WITH SLIDE RAIL COUPLING			
PROJECT/PROJET		CUSTOMER / CLIENT	
PART LIST N° / LISTE DE MATERIEL N°		DATE / DATE AUGUST 2007	
DRAWN BY / DESSINATEUR M. LYMBURNER	SCALE / ECHELLE N/A	DRAWING N° / N° DESSIN D-SUB-BAF-16845-EN	REV 0



DUPLEX SUBMERSIBLE





DUPLEX SUBMERSIBLE

PUMP INFORMATION

- Type: Sump Pump(s)
 Grinder Pump(s)
 Non-Clog Pump(s)

Model NO: _____
 Rating: _____ GPM _____ TDH
 Motor: _____ HP _____ RPM
 Elec: _____ PH _____ HZ _____ v
 Elec: _____ FL AMPS

DISCHARGE PIPE

- 304 Stainless Steel
 Sch40 Galvanized Steel
 Sch80 PVC Pipe

- 1 1/4"
 1 1/2"
 2"
 3"
 4"

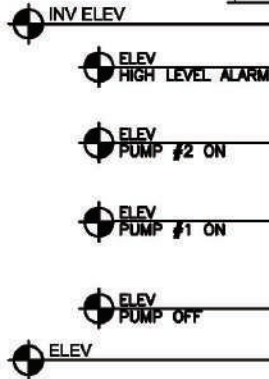
ANTI-FLOATATION FLANGE

- Fiberglass Encapsulated
 ASTM A-36 Steel
 Round Fiberglass
 None

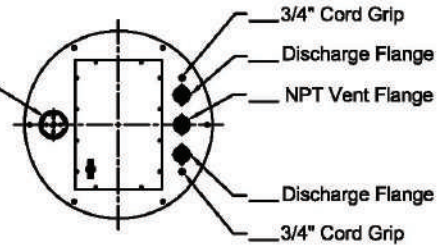
1" FLOAT POLE

- 304 Stainless Steel
 Sch40 Galvanized Steel
 Sch80 PVC Pipe

CAST IRON INLET HUB
 (Different Sizes and Types Available)

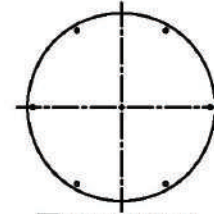


Inspection Plate With
 (4) 1/2" Cord Grips
 And 1" Coupling



GAS TIGHT HATCH COVER

- Fiberglass Aluminum Steel



3/16" LIFTING CHAIN

- 304 Stainless Steel
 Galvanized Steel
 * Stainless Steel Cable is Available

GATE VALVE

- Brass
 Sch 80 PVC

UNION

BALL CHECK VALVE

- Cast Iron
 Sch80 PVC
 * 3" Systems are Provided with Brass Swing Check Valve

DISCHARGE PIPE

- 304 Stainless Steel
 Sch40 Galvanized Steel
 Sch80 PVC Pipe

SLIDE RAIL COUPLING

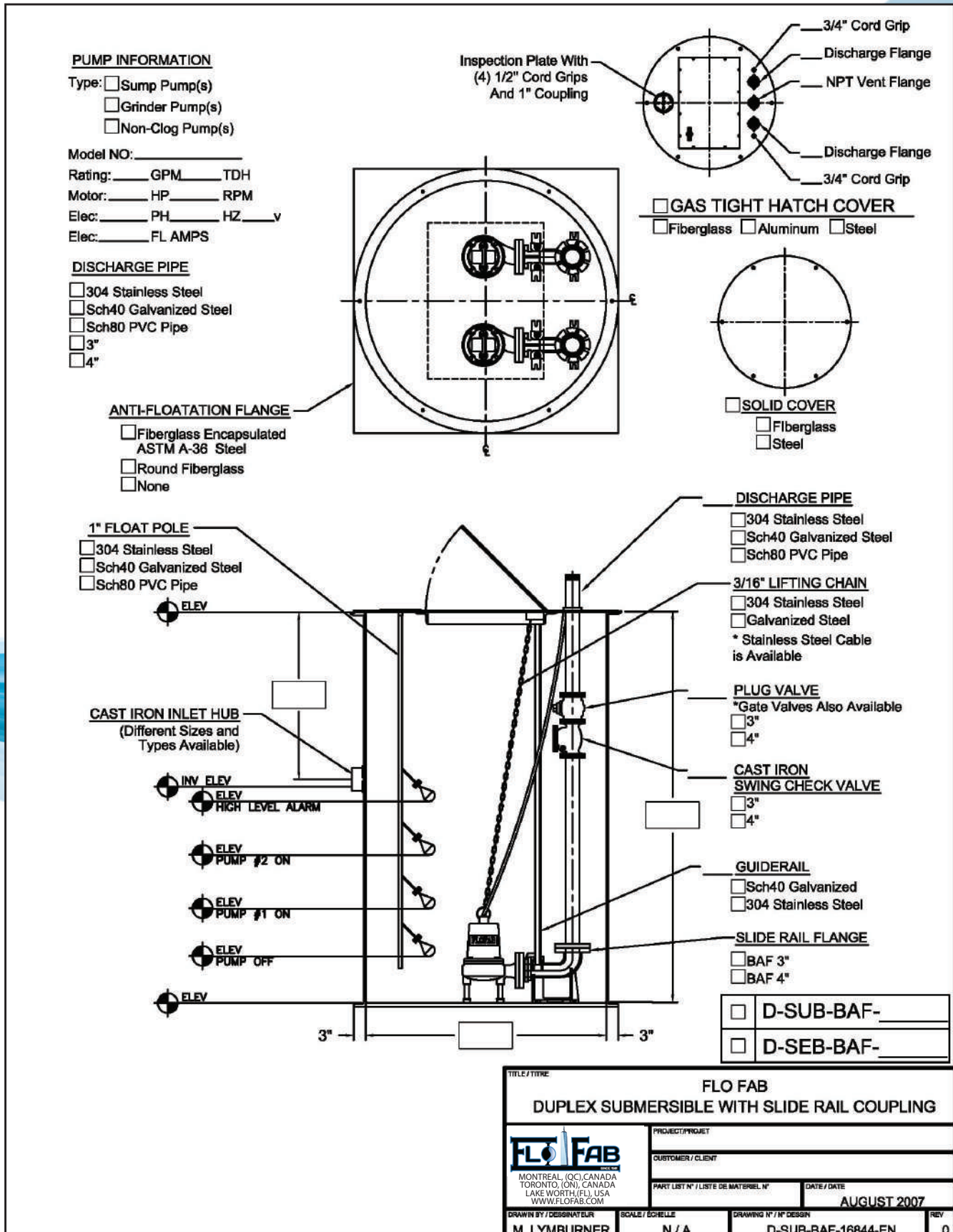
- BAF 2"
 BAF 3"
 BAF 4"

D-SUB-BAF-_____
 D-SEB-BAF-_____

TITLE / TITRE FLO FAB DUPLX SUBMERSIBLE WITH SLIDE AWAY COUPLING			
PROJECT / PROJET		CUSTOMER / CLIENT	
PART LIST N° / LISTE DE MATERIEL N°		DATE / DATE	
DRAWN BY / DESINATEUR M. LYMBURNER		SCALE / ECHELLE N / A	
DRAWING N° / N° DESSIN D-SUB-BAF-16735-FN		REV 0	
MONTREAL (QC), CANADA TORONTO (ON), CANADA LAKE WORTH (FL), USA WWW.FLOFAB.COM		AUGUST 2007	



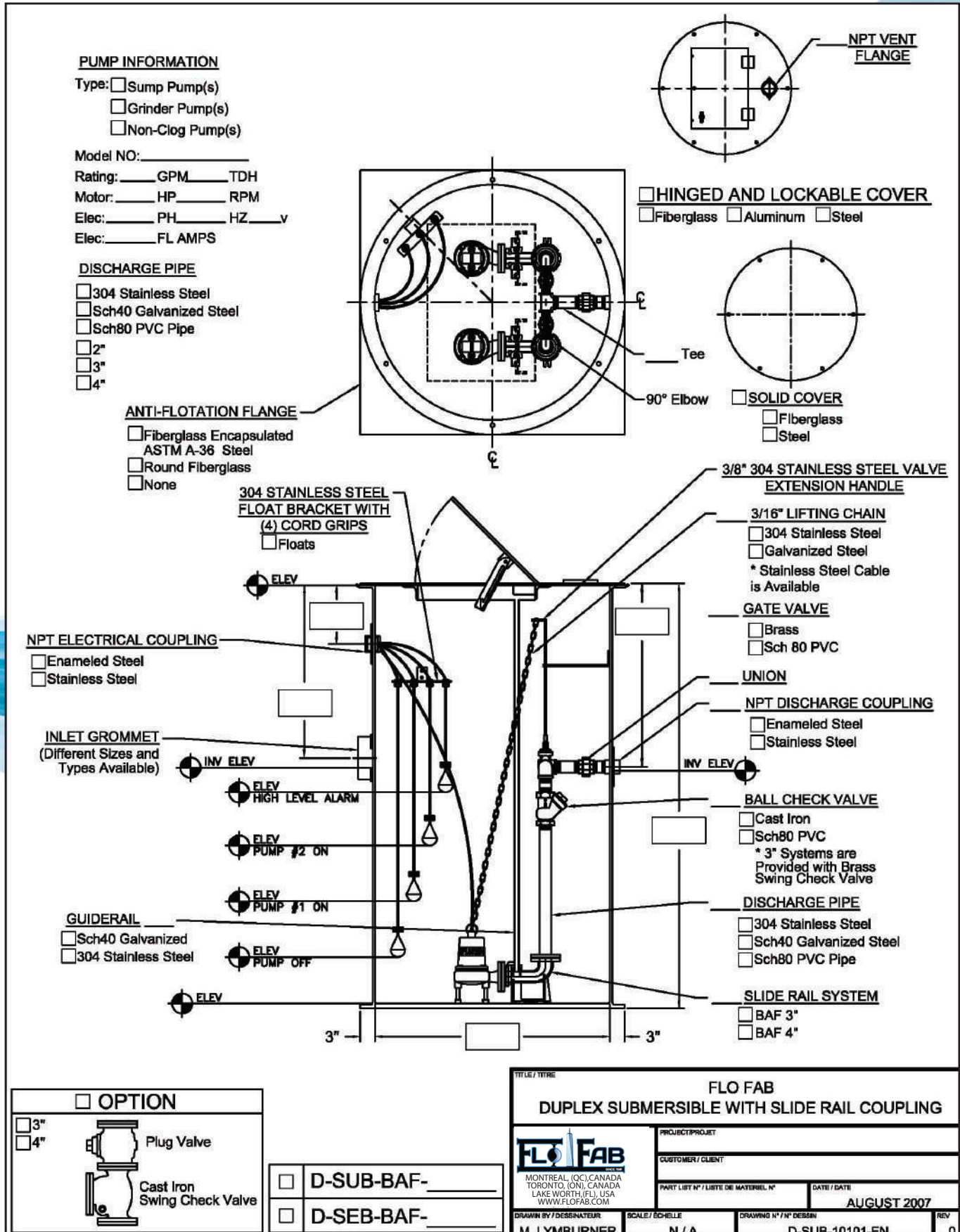
DUPLEX SUBMERSIBLE



FLO FAB			
DUPLEX SUBMERSIBLE WITH SLIDE RAIL COUPLING			
PROJECT/PROJET		DATE / DATE	
MONTREAL, (QC), CANADA		AUGUST 2007	
TORONTO, (ON), CANADA			
LAKE WORTH, (FL), USA			
WWW.FLOFAB.COM			
DRAWN BY / DESIGNATEUR	SCALE / ECHELLE	DRAWING N° / N° DESSIN	REV
M. LYMBURNER	N/A	D-SUB-BAF-16844-FN	0



DUPLEX SUBMERSIBLE



TITLE / TITRE FLO FAB DUPLEX SUBMERSIBLE WITH SLIDE RAIL COUPLING	
PROJECT/PROJET _____	
CUSTOMER / CLIENT _____	
PART LIST N° / LISTE DE MATERIEL N° _____	DATE / DATE AUGUST 2007
DRAWN BY / DESSINATEUR M. LYMBURNER	SCALE / ECHELLE N/A
DRAWING N° / N° DESSIN D-SUB-10101-EN	REV 0



Standard for Simplex Submersible Panels

A NEMA 1 enclosure, including a main disconnect switch, one set of HRC fuses for short-circuit protection, one magnetic starter, one transformer with primary and secondary fuses (for system other than 120v), 120v control circuit, provision to connect three N.O. floats (FL1: stop float, FL2: pump start, FL3: high water level), one "Hand Off Auto" selector switch, "Power on", "Pump run", "High water level" pilot lights, audible alarm with silencer and test and dry contact for remote alarm.

NEMA Type 1
General Purpose

To prevent accidental contact with enclosed apparatus. Suitable for application Indoors, where not exposed to unusual service conditions.

NEMA Type 2
Driptight

To prevent accidental contact with enclosed apparatus. Excludes falling moisture or dirt.

NEMA Type 4
Watertight

Designed to exclude water applied in form of hose stream. To protect against steam of water during cleaning operations, etc.

NEMA Type 4X
Corrosion
Resistant

Designed to exclude water supplied in form of hose stream and used in areas where serious corrosion problem exists.

NEMA Type 12
Industrial Use

Excludes dust, lint, fibers and flyings or oil or coolant seepage.



SUBMERSIBLES

Standard for Simplex Submersible Panels

OPT#	DESCRIPTION
1	Enclosure Eemac/Nema 2 – Indoor – Falling water & light splashing
2	Inner door for tamper proofing any enclosure
3	Enclosure Eemac/Nema 12 – Dust tight
4	Enclosure Eemac/Nema 4 – Outdoor – Protection against hose directed water
4A	Enclosure Eemac/Nema 4X – Same as Item 4 but fiberglass corrosion proof
4B	Enclosure Eemac/Nema 4X – Same as item 4 but stainless steel painted corrosion proof (brushed finish available)
5	Alarm relay for remote indication
6	Alarm block (buzzer-silence selector-pilot light)
6A	Alarm block – as above but with silence push button
7	Motor overload (over current) indication per pump (pilot light)
7A	As above but with dry contact for remote indication
8	Seal leak fault per pump (conductivity relay with pilot light)
8A	As above but with dry contact for remote indication
9	Motor overheat fault indication per pump (pilot light)
9A	As above but with dry contact for remote indication
10	Pilot light for various function
11	Alarm bell
12	Elapsed time meter (Nema 1) per pump
13	Intrinsic safe relay (use when floats or electrodes are located in explosive medium)
14	Pump control using conductivity relay and electrodes
15	Loss of phase fault indication (pilot light) on incoming power (use with 3 phase supply)
17	Globe alarm (25 watt-non flashing-shatter proof)
18	Pump protection with breaker on single phase system - Max. 40 Amps - (branch circuit protection device rated – Type E rating)
19	Heater element + thermostat
22	Installation of capacitor pack in panel (for starting single phase pump)
24	Fault indication (Relay + pilot light)
31	Stop/Start with one float
32	Stop/Start with two floats
35	120V Supply for external load (Specify load)
36	Emergency stop push button
38	Low level indication (pilot light)
38A	Low level indication – shutdown with remote indication
39	Low low level indication (pilot light)
39A	Low low level indication – shut down with remote indication
40	Additional stop-start push button per pump
41	Provision for connection of solenoid
43	Remote start/stop signal
43A	24 Volt start signal
44	Lamp test push button
44A	Push to test push button
46	On delay timer (use to avoid nuisance tripping on certain faults)
47	Off delay timer



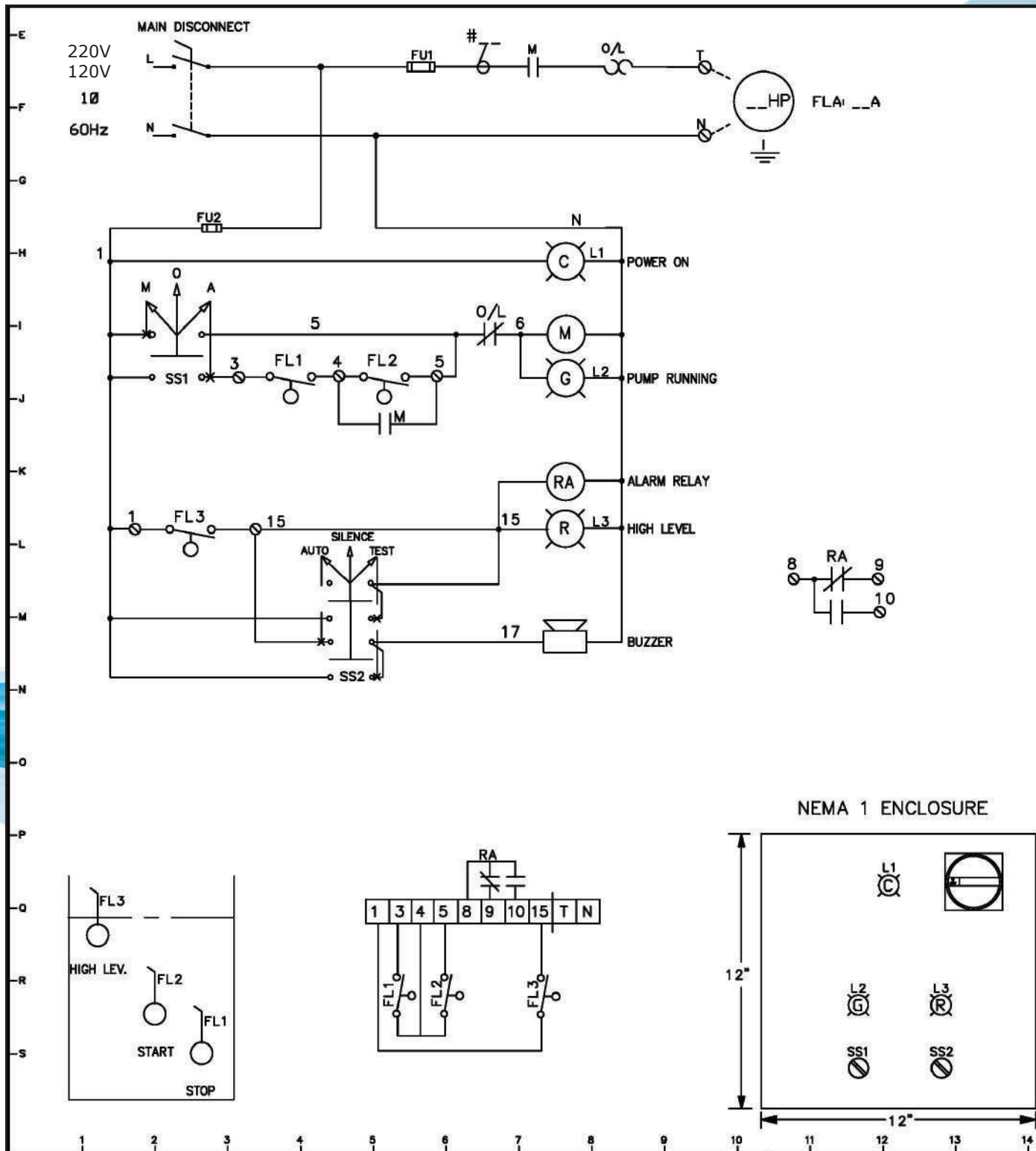
SUBMERSIBLES

Standard for Simplex Submersible Panels

OPT#	DESCRIPTION
48	Two positions selector
55	Indication only of pump failure to start
60	Float failure alarm
63	Ammeter – CT operated – for one pump
64	Voltmeter for system voltage – Direct read
65	Pump stop indication
67	Fault with latching relay and reset button
68	Remote signal for low of power
69	Current detection relay per pump (to confirm pump running)
70	Loss of phase and phase reversal detection and indication (three phase system)
72	Timer for minimum run
73	Timer for maximum run
74	General alarm indication with relay
77	Lightning arrester
78	Extra for flashing function on pilot light or globe
79	Ground fault indication with pilot light (no stopping of pump)
80	Duplex receptacle – 120 V – 100Watts
81	Motor circuit interrupter (instead of fuses) – Max. 40 Amps – Rated as branch circuit protection device – Type E
81A	Moulded case circuit protector (replaces fuses)
82	Repeat cycle timer
84	Telephone dialler with battery back-up
85	Push button for misc. sequence (describe sequence)
86	Alarm high level
87	Pump start counter
88	Variable freq. drive for variable speed pumps
89	Line or load reactor for above
91	Stop pump on low level in manual mode
93	Horn
95	Auto reset of latched faults on resumption of power
99	Blown fuse indication for single phase system
101A	Circuit breaker protection for primary and secondary of transformer
101B	Circuit breaker protection for secondary of transformer
103	Soft start for reduced voltage starting
105	Forced ventilation (Louvre-Fan-Thermostat)
106	Reversing starter
108	Through the door overload reset buttons
109	Tank alert
112	U/L approval of panel
113	Provision for padlock on enclosure



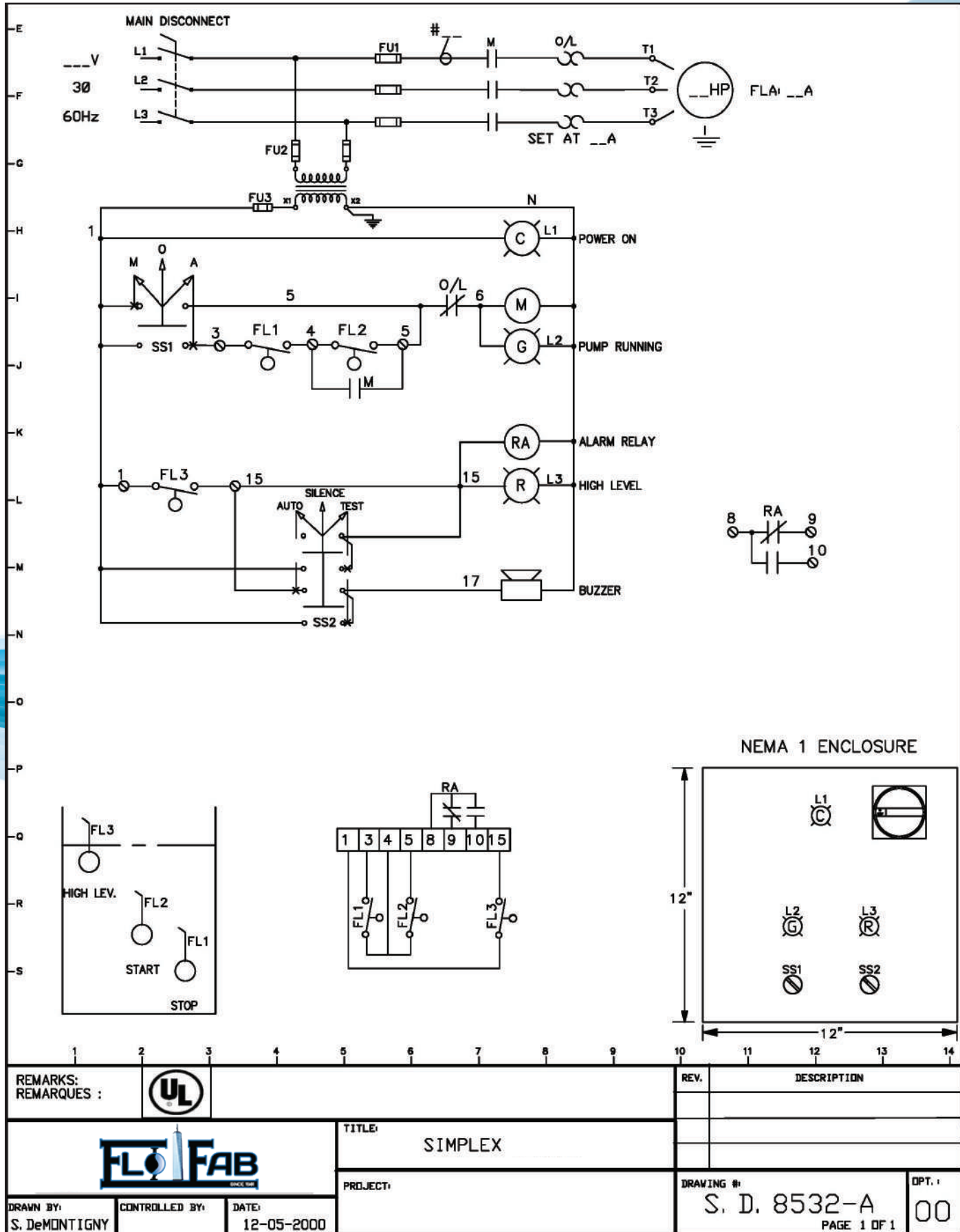
SIMPLEX SUBMERSIBLES



REMARKS: REMARQUES :										UL		REV.		DESCRIPTION	
FLOFAB										TITLE: SIMPLEX		DRAWING #: S. D. 8506-A		DPT.: 00	
DRAWN BY: S. DeMONTIGNY			CONTROLLED BY:			DATE: 12-05-2000			PROJECT:			PAGE 1 OF 1			



SIMPLEX SUBMERSIBLES





Standard for Duplex Submersible Panels

A NEMA 1 enclosure, including a main disconnect switch, two sets of HRC fuses for short-circuit protection, two magnetic starters, one transformer with primary and secondary fuses (for system other than 120v), 120v control circuit, alternating circuit, provision to connect four N.O. floats (FL1: stop float, FL2: lead pump start, FL3: lag pump start, FL4: high water level), automatic transfer to lag pump in case of lead pump overload, two "Hand Off Auto" selectors switches, "Power on", "Pump 1 run", "Pump 2 run", "High water level", pilot lights, audible alarm with silencer and test and dry contact for remote alarm.

NEMA Type 1
General Purpose

To prevent accidental contact with enclosed apparatus. Suitable for application Indoors, where not exposed to unusual service conditions.

NEMA Type 2
Driptight

To prevent accidental contact with enclosed apparatus. Excludes falling moisture or dirt.

NEMA Type 4
Watertight

Designed to exclude water applied in form of hose stream. To protect against steam of water during cleaning operations, etc.

NEMA Type 4X
Corrosion Resistant

Designed to exclude water supplied in form of hose stream and used in areas where serious corrosion problem exists.

NEMA Type 12
Industrial Use

Excludes dust, lint, fibers and flyings or oil or coolant seepage.



SUBMERSIBLES

Standard for Duplex Submersible Panels

OPT#	DESCRIPTION
3	Enclosure Eemac/Nema 12 – Dust tight
4	Enclosure Eemac/Nema 4 – Outdoor – Protection against hose directed water
4A	Enclosure Eemac/Nema 4X – Same as Item 4 but fibreglass corrosion proof
4B	Enclosure Eemac/Nema 4X – Same as item 4 but stainless steel painted corrosion proof (brushed finish available)
5	Alarm relay for remote indication
6	Alarm block (buzzer-silence selector-pilot light)
6A	Alarm block – as above but with silence push button
7	Motor overload (over current) indication per pump (pilot light)
7A	As above but with dry contact for remote indication
8	Seal leak fault per pump (conductivity relay with pilot light)
8A	As above but with dry contact for remote indication
9	Motor overheat fault indication per pump (pilot light)
9A	As above but with dry contact for remote indication
10	Pilot light for various function
11	Alarm bell
12	Elapsed time meter (Nema 1) per pump
13	Intrinsic safe relay (use when floats or electrodes are located in explosive medium)
14	Pump control using conductivity relay and electrodes
15	Loss of phase fault indication (pilot light) on incoming power (use with 3 phase supply)
17	Globe alarm (25 watt-non flashing-shatter proof)
18	Pump protection with breaker on single phase system - Max. 40 Amps - (branch circuit protection device rated – Type E rating)
19	Heater element + thermostat
20	Time clock (use for alternating pumps – Specify 12 hours/24 hours/weekly)
21	Main disconnect
21A	Disconnect for each pump controlled by panel
22	Installation of capacitor pack in panel (for starting single phase pumps)
23	Alternating relay (Electro-Mech)
24	Fault indication (Relay + pilot light)
25	Alternating relay - Electronic
26	Alternator - Mechanical
27	Programmable controller
31	Stop/Start with one float
32	Stop/Start with two floats
35	120V Supply for external load (Specify load)
36	Emergency stop push button
38	Low level indication (pilot light)
38A	Low level indication – shutdown with remote indication
39	Low low level indication (pilot light)
39A	Low low level indication – shut down with remote indication
40	Additional stop-start push button per pump
41	Provision for connection of solenoid
43	Remote start/stop signal
43A	24 Volt start signal
44	Lamp test push button
44A	Push to test push button



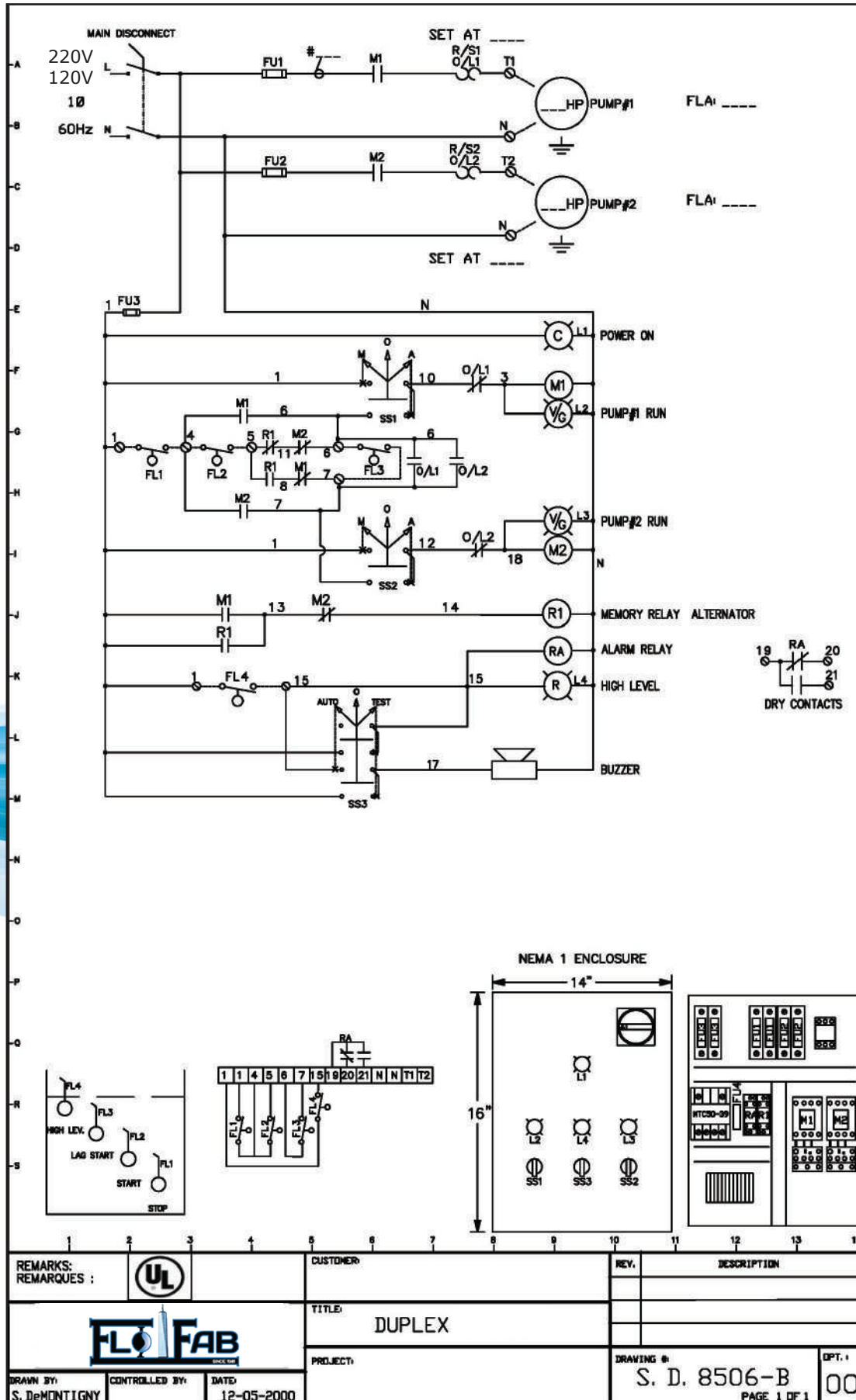
SUBMERSIBLES

Standard for Duplex Submersible Panels

OPT#	DESCRIPTION
47	Off delay timer
48	Two positions selector
55	Indication only of pump failure to start
60	Float failure alarm
62	Lead pump selector switch
63	Ammeter – CT operated – for two pumps
64	Voltmeter for system voltage – Direct read
65	Pump stop indication
67	Fault with latching relay and reset button
68	Remote signal for low of power
69	Current detection relay per pump (to confirm pump running)
70	Loss of phase and phase reversal detection and indication (three phase system)
72	Timer for minimum run
73	Timer for maximum run
74	General alarm indication with relay
75	Lag pump demand indication (pilot light)
77	Lightning arrestor
78	Extra for flashing function on pilot light or globe
79	Ground fault indication with pilot light (no stopping of pump)
80	Duplex receptacle – 120 V – 100Watts
81	Motor circuit interruptor (instead of fuses) – Max. 40 Amps – Rated as branch circuit protection device – Type E
81A	Moulded case circuit protector (replaces fuses)
82	Repeat cycle timer
84	Telephone dialler with battery back-up
85	Push button for misc. sequence (describe sequence)
86	Alarm high level
86A	Start lag pump on high level
87	Pump start counter
88	Variable freq. drive for variable speed pumps
89	Line or load reactor for above
91	Stop pump on low level in manual mode
93	Horn
95	Auto reset of latched faults on resumption of power
99	Blown fuse indication for single phase system
100	Incoming power from two sources with one control transformer
100A	Incoming power from two sources with two control transformers
101A	Circuit breaker protection for primary and secondary of transformer
101B	Circuit breaker protection for secondary of transformer
103	Soft start for reduced voltage starting
104	Mini-Cas II for seal and temperature fault on Flyght pumps (one per pump)
105	Forced ventilation (Louvre-Fan-Thermostat)
106	Reversing starter
108	Through the door overload reset buttons
109	Tank alert
112	U/L approval of panel
113	Provision for padlock on enclosure



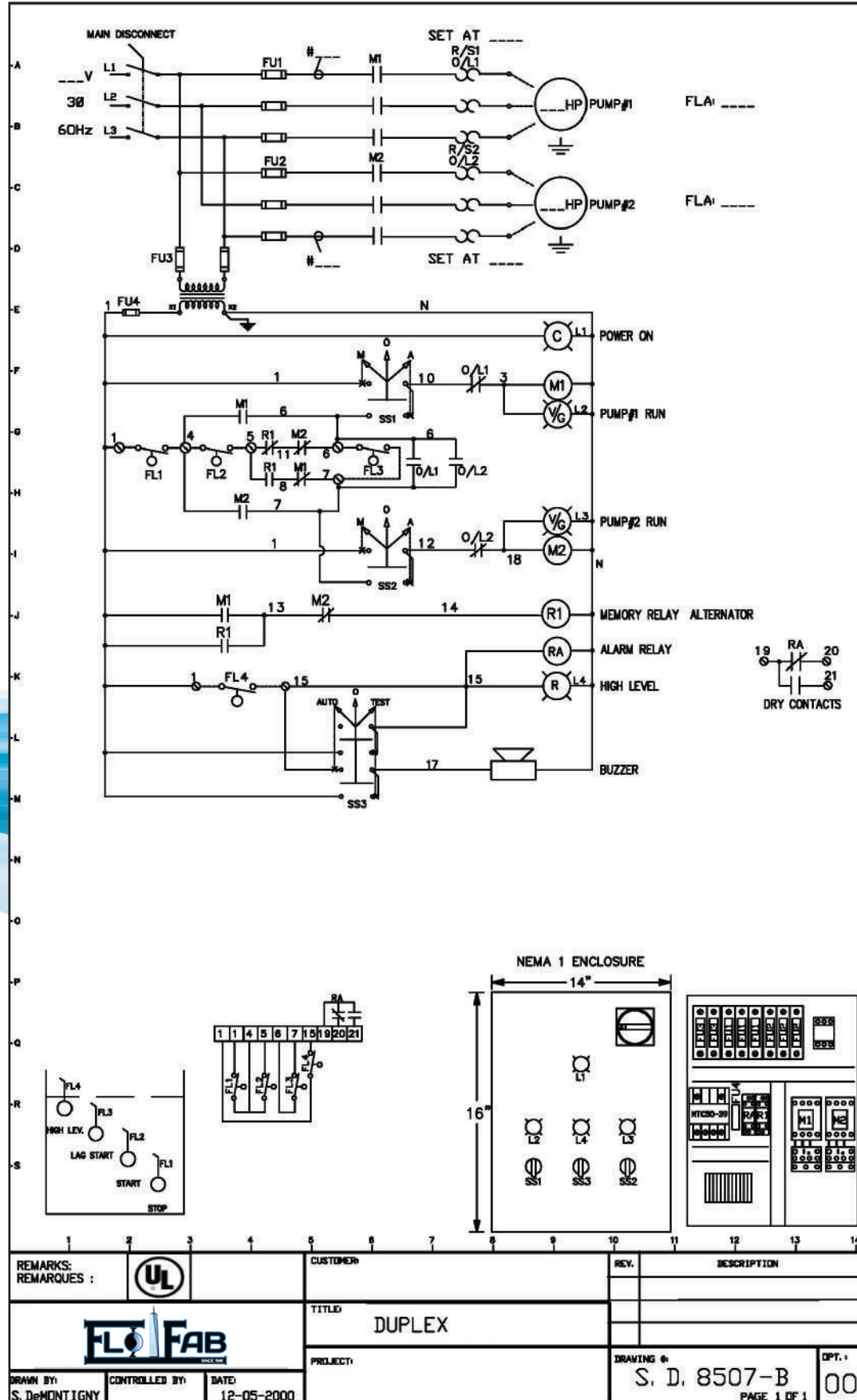
DUPLEX SUBMERSIBLE



REMARKS: REMARQUES :			CUSTOMER:	REV.	DESCRIPTION
			TITLE: DUPLX		
DRAWN BY: S. DeMONTIGNY	CONTROLLED BY:	DATE: 12-05-2000	PROJECT:	DRAWING #: S. D. 8506-B	DPT. #: 00
				PAGE 1 OF 1	

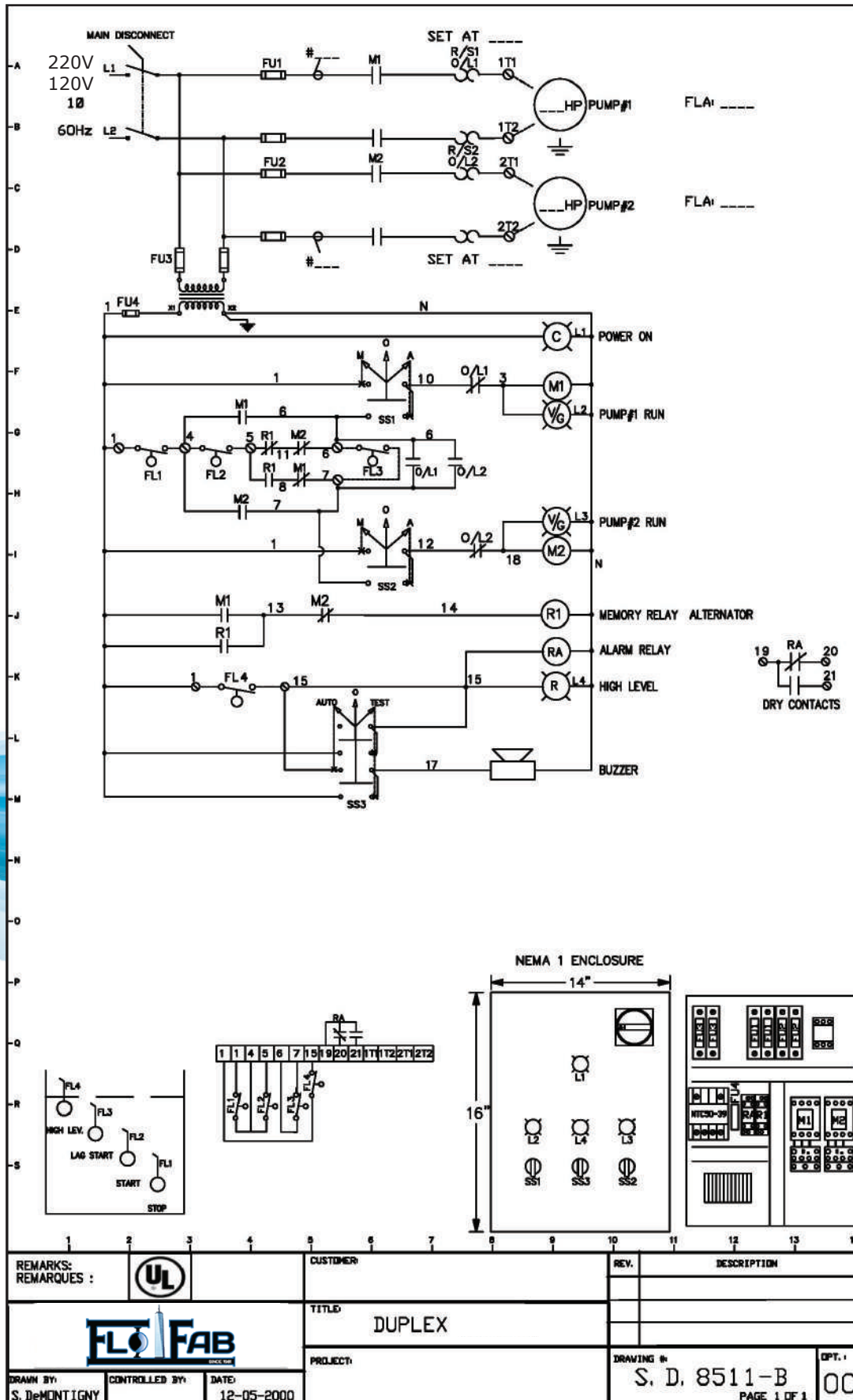


DUPLEX SUBMERSIBLE





DUPLEX SUBMERSIBLE



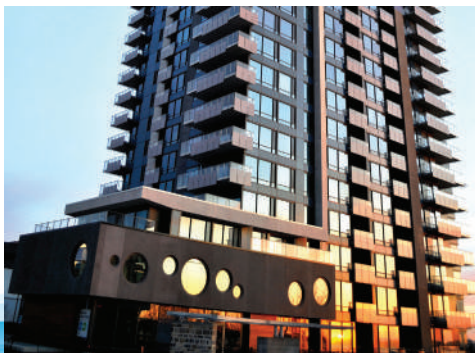
We are proud supplier for the following completed and on going projects :



250 N 10th Avenue North
250 N 10th St, Brooklyn,
NY, USA



Allegria Hotel
80 W Broadway,
Long Beach, NY, USA



EvoloS Tower
121 de la Pointe N Road-
Verdun, Québec, Canada



Bogle Vineyards
37783 Co Rd 144,
Clarksburg, CA,

Sales and Service:

Quebec, Canada
Tel. : (450) 621-2995
Fax : (450) 621-4995

Lake Worth
Florida, USA
33467-5749

Toronto, Canada
Tel. : +1 (647) 544-2995

www.flofab.com

SERVICE 24/7 : parts@flofab.com

