



Submersible Pumps

Sewage Cutter Pump - STO/FO

Drainage Pump - SF/SC

Sewage Pump - SS/SST/SM

Sewage Vortex Pump - SSM-V

Dewatering Pump - KS/KL

Contractor Pump - KT

Sewage Grinder Pump - GP/GPQ



STO/FO



KS/KL



SF/SC



SS/SST/SM



GP/GPQ



KT



SSM-V

www.flofab.com

001-cat-2017-subm2

Go to www.flofab.com in Our Products Section to see the Master Spec - <http://www.arcomnet.com/masterspec/>



HISTORY

Founder 1981



Flo Fab was established in 1981 by Denis Gauvreau who created and developed the products line and constantly being perfected by Marc Gauvreau, as well as by a team of professional engineers and designers. It's a combination of existing designs from several renowned products and the innovative ideas of a new generation professionals.

Through the years, Flo Fab has acquired several companies and service entities including : AQUA-PROFAB (ASME Tanks manufacturer), MÉNARD, LÉONARD ÉLECTRIQUE, PMA. , Furthermore Flo Fab purchased equipment, fabrication designs and patterns from IDEALCO, a manufacturer of shell and tube type heat exchangers.

The after sales services, sales, engineering, R&D, production, quality control, accounting and administration departments of all the above companies share the same location.

In December 2014, Marc Gauvreau, son of the founder, acquired all shares of The company. Flo Fab and is constantly investing in new state of the art innovations new product like the XRI series and Prefab Skid for Hydronic Heating & cooling system, pumping systems. This has allowed Flo Fab to retain competent and experienced staff of professionals with varied and specialized abilities that constantly work on improving our existing products and add new engineered solutions that exceeding customer's expectations .

Flo Fab has grown quite rapidly and now proudly offers of a wide range of products available directly from one manufacturer. This includes pumps & pump packages, tanks, heat exchangers & hydronic accessories. This allows each project stakeholders to enjoy economical savings, peace of mind, best value for their investment and optimized total cost of ownership.



Go to www.flofab.com in Our Products Section to see the Master Spec - <http://www.arcomnet.com/masterspec/>

TABLE OF CONTENTS

FLO FAB'S HISTORY	2
DETERMINATION OF THE REQUIRED SYSTEM CAPACITY	4
HOW TO SELECT A PUMP MODEL	5
STO/STO-T/FO/FO-T SERIES	
FEATURES/APPLICATION.....	6
INSTALLATION/MAINTENANCE.....	7
PICTURES OF ALL MODELS.....	8
SPECIFICATIONS.....	9
STANDARD ACCESSORIES.....	10
PERFORMANCE CURVES.....	10
STO DIMENSIONS.....	11
STO-T DIMENSIONS.....	12
FO/FO-T DIMENSIONS (MM).....	13
FO/FO-T DIMENSIONS (IN).....	14
STO-C/FO-C SERIES	
FEATURES.....	15
PICTURES OF ALL MODELS.....	16
PERFORMANCE CURVES/DIMENSIONS.....	17
CONSTRUCTIONS.....	18
FLOAT LEVEL CONTROL PANEL.....	19
ELECTRICAL WIRING SCHEMATIC DIAGRAM.....	19-20
SC/SCA SERIES	
FEAT./APP./DIM./CONST./CURVES.....	21
SPECIFICATION/AMPS/DIMENSIONS.....	22
SF/SFA SERIES	
CONSTRUCTION/DIMENSION/CURVES.....	23
DIAGRAM SC-112A.....	24
SPECIFICATIONS/DIMENSIONS.....	25
SS/SSA/SST/ST/STA SERIES	
FEATURES/APPLICATIONS/CONST.....	26
PERFORMANCE CURVES/DIMENSIONS.....	27
SPECIFICATIONS/DIMENSIONS.....	28
SM/SSM/SMA SERIES	
FEAT./ APP./CURVES/DIMENSIONS.....	29
SPECIFICATIONS/DIMENSIONS.....	30
SSM-V/SMA-V SERIES	
FEATURES.....	31
SPECS./STAND. ACC. OF GUIDE RAIL KIT.....	32
PERF. CURVES/CONSTRUCTIONS.....	33
DIMENSIONS.....	34-35
SPECIFICATIONS/AMPS.....	36
KL/KS SERIES	
FEAT./ APP./CURVES/DIMENSIONS.....	37
FEAT./ APP./CURVES/DIMENSIONS.....	38
SPECIFICATIONS/DIMENSIONS.....	39
CONSTRUCTIONS/APP. EXAMPLES.....	40
FEATURES/APPLICATIONS.....	41
PERFORMANCE CURVES (50HZ).....	42
SPECIFICATIONS/DIM. (50HZ).....	43
PERFORMANCE CURVES (60HZ).....	44

SPECIFICATIONS/DIM./AMPS (60HZ).....	45
GP/GPQ SERIES	
GP TYPE SUBMERSIBLE GRINDER PUMP.....	46
FEATURES.....	47
SPECIFICATIONS/ PERF. CURVE.....	48
DIMENSIONS.....	49
SPECS./STAND. ACC. OF GUIDE RAIL KIT.....	50
GPQ TYPE STAINLESS GRINDER PUMP.....	51
FEATURES.....	52
SPECS/CURVES/DIM./CONSTR.....	53
ACCESSORIES	54-55
SLIDE AWAY COUPLING DRAWINGS	
LBV 25/40/75 c/w 2"	
.....	56
SLIDE AWAY COUPLING DRAWINGS	
FBV 3" & 4"	
.....	57
SLIDE AWAY COUPLING DRAWINGS	
FS 3" & 4"	
.....	58
18" to 60" FIBERGLASS BASINS	59-65
SIMPLEX METAL COVERS	66-68
24" DUPLEX METAL COVERS	69
30" FIBERGLASS DUPLEX COVERS	70
DUPLEX METAL COVERS	71
SIMPLEX SUBMERSIBLE	72, 74, 76
SIMPLEX SUBMERSIBLE	
W/ SLIDE RAIL COUPLING	73, 75, 77
DUPLEX SUBMERSIBLE	78
W/ SLIDE AWAY COUPLING	79
DUPLEX SUBMERSIBLE	
W/ SLIDE RAIL COUPLING	80-82
STANDARD FOR SIMPLEX SUBMERSIBLE PANELS	83-87
STANDARD FOR DUPLEX SUBMERSIBLE PANELS	88-93



Determination of the required System Capacity

FIGURE 1

Description	Unit Value	Total Used
Bathroom Group, Consisting of Lavatory, Bathtub or Shower and (Direct Flush) Water Closet	10	
Bathroom Group, Consisting of Lavatory, Bathtub or Shower and (Flush Tank) Water Closet	6	
Bathtub with 1 1/2" Trap	2	
Bathtub with 2" Trap	3	
Bidet with 1 1/2" Trap	3	
Dental unit or Cuspidor	1	
Drinking Fountain	1	
Dishwasher (Domestic Type)	2	
Kitchen Sink (Domestic)	2	
Kitchen Sink (Domestic) with Waste	3	
Grinder	3	
Lavatory with 1 1/2" Trap	1	
Lavatory Barber or Beauty Shop	2	
Laundry Tray (2 compartments)	2	
Shower Tall	2	
Shower Group per head	3	
Sink (Direct Flush Valve)	7	
Sink (Service Type with Floor Drain)	3	
Sink (Scullery)	4	
Sink (Surgeons)	3	
Urinal (with Flush Valve)	8	
Urinal (with Flush Tank)	4	
Water Closet (Flush Valve)	7	
Water Closet (Flush Tank)	3	
Swimming Pools (per 1000 Gal.)	1	
Unlisted Fixture with 1 1/4" Trap	2	
Unlisted Fixture with 1 1/4" Trap	3	
Unlisted Fixture with 2" Trap	4	
Unlisted Fixture with 2 1/2" Trap	5	
Unlisted Fixture with 3" Trap	6	
Unlisted Fixture with 4" Trap	7	
Water Softener (Domestic)	4	
Washing Machine	2	
	TOTAL	

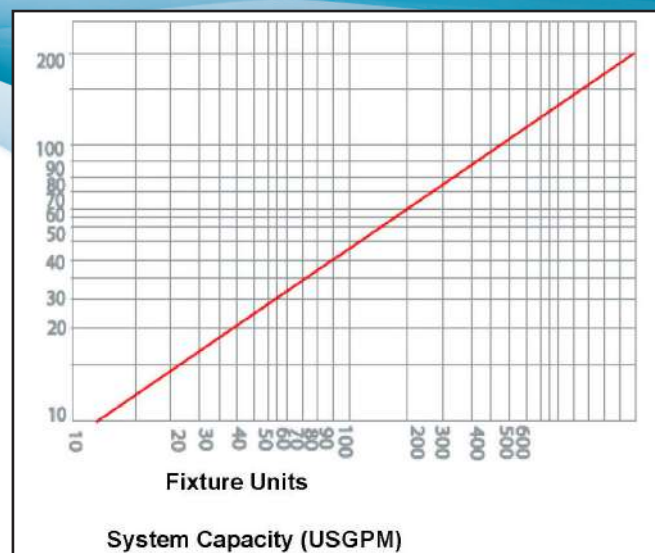
SYSTEM CAPACITY

The System Capacity refers to the rate of flow in US Gallons Per Minute (US-GPM) necessary to efficiently maintain the system. The «Fixture Unit» (figure 1) method is suggested for determining this figure. This approach assigns a relative value to each fixture or group of fixtures normally encountered. Determination of the required System Capacity is as follows:

1) List all fixtures involved in the installation and using Figure 1 assign a Fixture Unit value to each. Add to obtain the total.

2) Referring to Figure 2 locate the total Fixture Unit amount along the horizontal axis of the graph and follow vertically until intersecting the plotted line. Read the System Capacity in US-GPM along the vertical axis.

FIGURE 2





SUBMERSIBLE PUMPS

● How to Select a Pump Model

1) FROM FIGURE 1

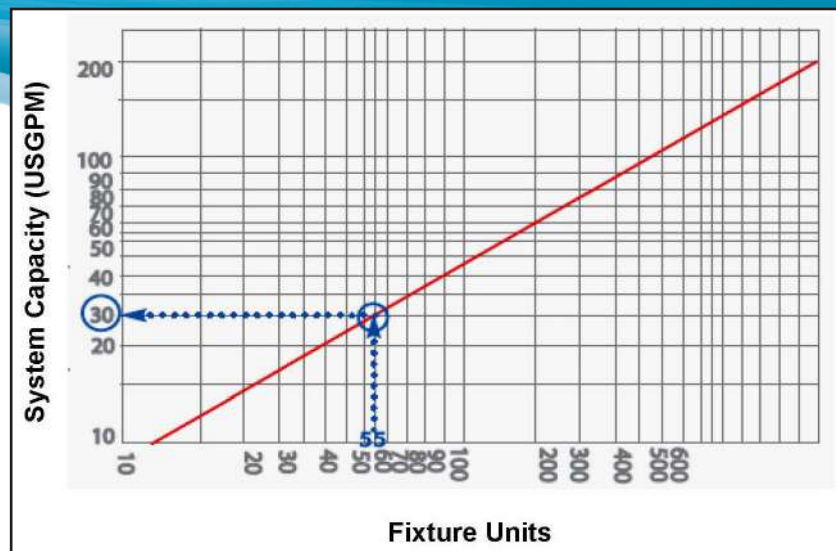
Description	Unit Value	Total Used
Bathroom Group, Consisting of Lavatory, Bathtub or Shower and(Flush Tank)	6	24
Dishwasher (Domestic Type)	2	2
Kitchen Sink (Domestic)	2	2
Laundry Tray (2 compartments)	2	2
Shower Tall	2	2
Swimming Pools (per 1000 Gal)	1	13
Bar Sink (Unlisted with 1 1/2" T)	3	3
Water Softener (Domestic)	4	4
Washing Machine	2	2
Total		55

EXAMPLE

What Pump Capacity would be required to handle the drainage from a 4 bathroom home, also including a dishwasher, a washer, a laundry tray, a kitchen sink, a water softener, a basement shower, a 13 000 gallon pool and a bar sink with a 1 1/2" Trap?

2) REFER TO FIGURE 2

Find 55 Fixture Units On the horizontal axis. Follow Vertically until intersecting the plotted line then horizontally to the left. The Pump Capacity on the vertical axis is 30 USGPM.



STO / FO Series Sewage Pump

Pumps Designed For Sewage Application and Maintenance Simplified by *Automatic Connecting Device*

FEATURES

EPOXY Cable Sealing Base

(EPOXY) Waterproof cable prevent water infiltration, cable ends sealed with epoxy resin, and lead wires are partially tripped off for perfect resin sealing. Triple protection for the motor against water penetration.



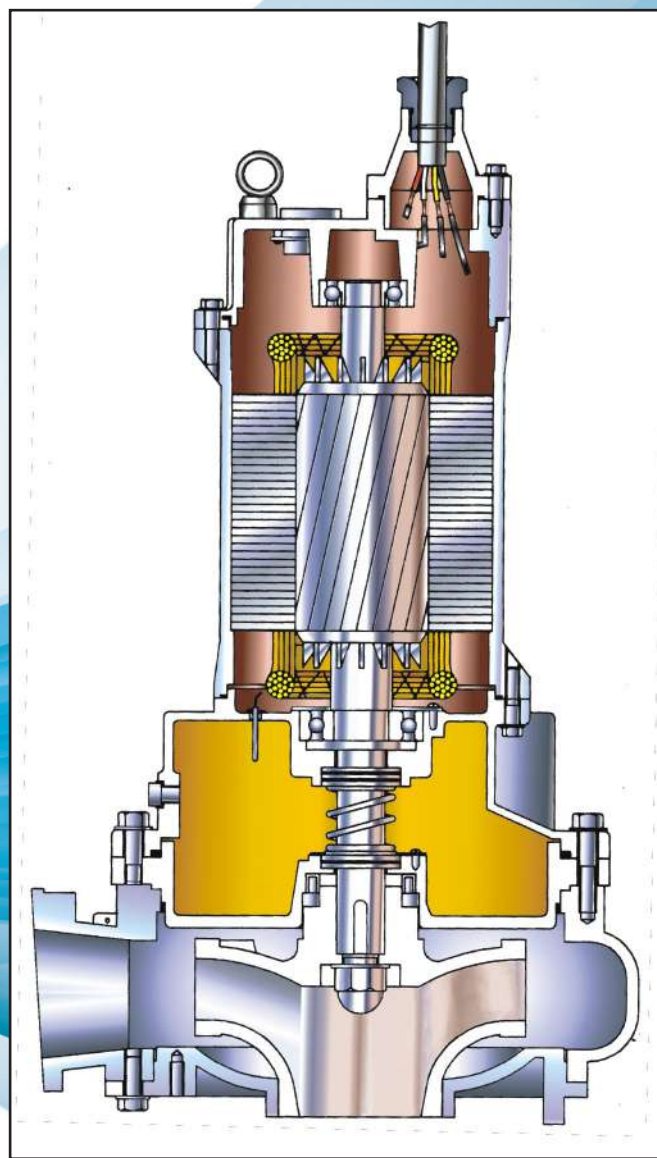
Built-in Motor Protector

Every STO type are equipped with a self-reset circle thermal protector to prevent over-loading, locking of impeller, and scorch damage to the motor from phase failure.



SiC Mechanical Seal

Equipped with double mechanical seals and adopted with heat-and-corrosion resistant silicon carbide mechanical seal for preventing the motor from water infiltration.



APPLICATIONS

- Influent pumping in combined treatment plants.
- Influent pumping in industrial waste water treatment plants.
- Sewage treatment, human waste treatment.
- Sewage waste water and solid treatment in various factories and building sites.
- Pump house in sewer system.

STO / STO-T Series Sewage Pump

REFERENCE OF INSTALLATION



MAINTENANCE SIMPLIFIED BY AUTOMATIC CONNECTING DEVICE



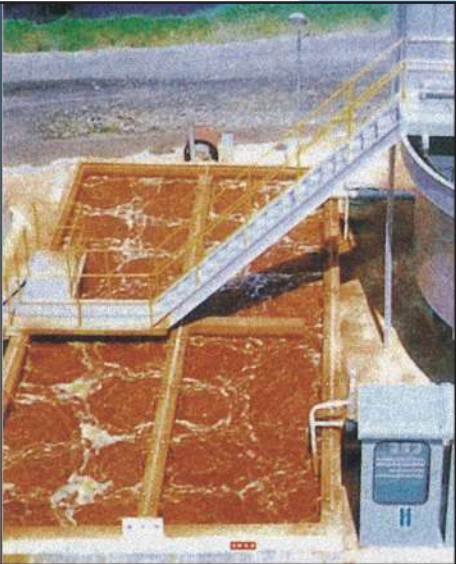
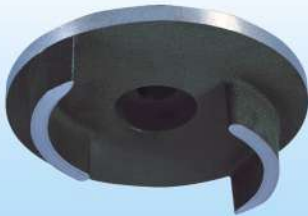


The automatic connecting device performs connection / disconnection between a pump and piping only by lifting the pump down / up along guide pipes, so the maintenance and inspection work can be done without entering the pump sump.



SEWAGE PUMPS

PICTURES OF ALL MODELS

STO AUTO - SETTER TYPE SEWAGE PUMP
 FO FLOOR MOUNT TYPE SEWAGE PUMP

<p style="text-align: center;">STO</p> 	<p style="text-align: center;">FO</p> 	
<p>Output : 1 • 2 HP Motor : 2 Poles • E Insulation class Non-clog Impeller :</p>  <p style="text-align: center;">Dual-blade semi-open type</p>	<p>Output : 3 • 5 HP Motor : 4 Poles • B Insulation class Non-clog Impeller :</p>  <p style="text-align: center;">Single-blade semi-open type</p>	<p>Output : 7 1/2~20 HP Motor : 4 Poles • B Insulation class Non-clog Impeller :</p>  <p style="text-align: center;">Dual-blade closed type</p>

STO-T AUTO - SETTER TYPE SEWAGE PUMP
 FO-T FLOOR MOUNT TYPE SEWAGE PUMP

<p style="text-align: center;">STO-T</p> 	<p style="text-align: center;">FO-T</p> 	<p>Output : 1~10 HP Motor : 2 Poles • E Insulation class Non-clog Impeller :</p>  <p style="text-align: center;">Dual-blade semi-open type</p>
---	---	---

Go to www.flofab.com in Our Products Section to see the Master Spec - <http://www.arcomnet.com/masterspec/>



SEWAGE PUMPS

STO•STO-T Series FO•FO-T Series Sewage Pump

STO • STO-T
FO • FO-T

AUTO - SETTER TYPE SEWAGE PUMP
FLOOR MOUNT TYPE SEWAGE PUMP

SPECIFICATIONS:

	TYPE				MOTOR							PUMP	IMPELLER		CABLE	WEIGHT(kg)	
					Power	Amp.		Volt	Phase	SS Revo- lution	Starting	BORE	Solid Passage	Nb of		mm ² xm	Auto- setter
	✓	Auto- setter	✓	Floor mount	KW(HP)	Start	Run	V	PH	R.P.M	method	Inch(mm)	mm	Vanes			
50		STO-112		FO-112	0.75(1)			200-240	1	3000	Capacitor	2"(50)	25	2	1.25 ² x6	36	30
		STO-132		FO-132		200-480	3	D.O.L									
		STO-212		FO-212	1.5(2)			200-240	1	3000	Capacitor	3"(80)	28	2	3.5 ² x10	78	56
		STO-232		FO-232		200-480	3	D.O.L	74		50						
		STO-332		FO-332	2.2(3)			200-480	3	1500	D.O.L	3"(80)	40x50	1	3.5 ² x10	115	97
		STO-532		FO-532	3.7(5)			200-480	3	1500	D.O.L	4"(100)	53x50	1	3.5 ² x10	122	97
		STO-732		FO-732	5.5(7 1/2)			200-480	3	1500	D.O.L	4"(100)	88x46	2	5.5 ² x10	177	152
		STO-1032		FO-1032	7.5(10)			200-480	3	1500	D.O.L	4"(100)	88x46	2	5.5 ² x10	197	172
		STO-1532		FO-1532	11(15)			200-480	3	1500	Star-delta	6"(150)	117x48	2	5.5 ² x10	302	253
		STO-2032		FO-2032	15(20)			200-480	3	1500	Star-delta	6"(150)	117x50	2	8.0 ² x10	312	263
60		STO-112		FO-112	0.75(1)			200-240	1	3600	Capacitor	2"(50)	25	2	1.25 ² x6	36	30
		STO-132		FO-132		200-480	3	D.O.L									
		STO-212		FO-212	1.5(2)			200-240	1	3600	Capacitor	3"(80)	28	2	3.5 ² x10	78	56
		STO-232		FO-232		200-480	3	D.O.L	74		50						
		STO-332		FO-332	2.2(3)			200-480	3	1800	D.O.L	3"(80)	40x47	1	3.5 ² x10	115	97
		STO-532		FO-532	3.7(5)			200-480	3	1800	D.O.L	4"(100)	53x47	1	3.5 ² x10	122	97
		STO-732		FO-732	5.5(7 1/2)			200-480	3	1800	D.O.L	4"(100)	88x46	2	5.5 ² x10	177	152
		STO-1032		FO-1032	7.5(10)			200-480	3	1800	D.O.L	4"(100)	88x46	2	5.5 ² x10	197	172
		STO-1532		FO-1532	11(15)			200-480	3	1800	Star-delta	6"(150)	117x48	2	5.5 ² x10	302	253
		STO-2032		FO-2032	15(20)			200-480	3	1800	Star-delta	6"(150)	117x50	2	8.0 ² x10	312	263
50		STO-112T		FO-112T	0.75(1)			200-240	1	3000	Capacitor	2"(50)	25	2	2.0 ² x6	35	30
		STO-132T		FO-132T		200-480	3	D.O.L									
		STO-212T		FO-212T	1.5(2)			200-240	1	3000	Capacitor	3"(80)	28	2	5.5 ² x10	75	56
		STO-232T		FO-232T		200-480	3	D.O.L	69		50						
		STO-332T		FO-332T	2.2(3)			200-480	3	3000	D.O.L	3"(80)	28	2	5.5 ² x10	78	59
		STO-532T		FO-532T	3.7(5)			200-480	3	3000	D.O.L	4"(100)	32	2	5.5 ² x10	86	61
		STO-732T		FO-732T	5.5(7 1/2)			200-480	3	3000	D.O.L	4"(100)	26	2	5.5 ² x10	114	90
		STO-1032T		FO-1032T	7.5(10)			200-480	3	3000	D.O.L	4"(100)	26	2	5.5 ² x10	125	101



SEWAGE PUMPS

STANDARD ACCESSORIES

FOR STO•STO-T TYPE

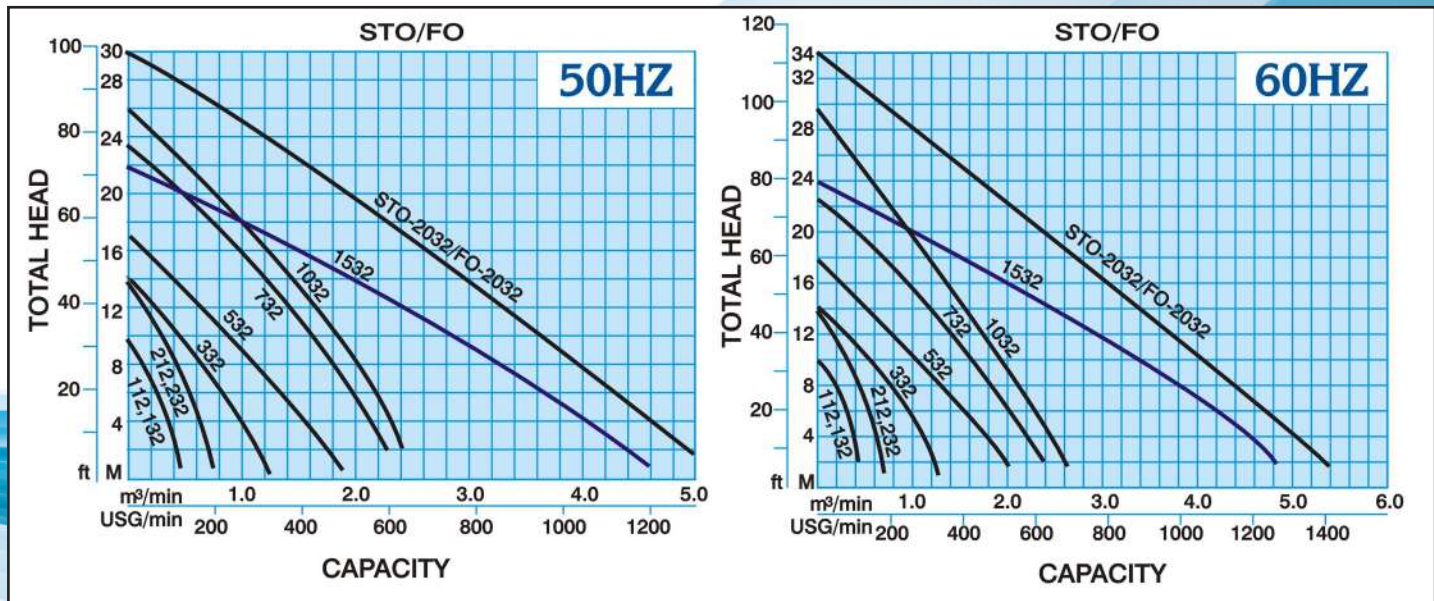
- Upper Guide Support1 set
- Guide Connector1 set
- Lifting Chain (with shackle) ...1 pc
- Duck Foot Bend1 set

FOR FO•FO-T TYPE

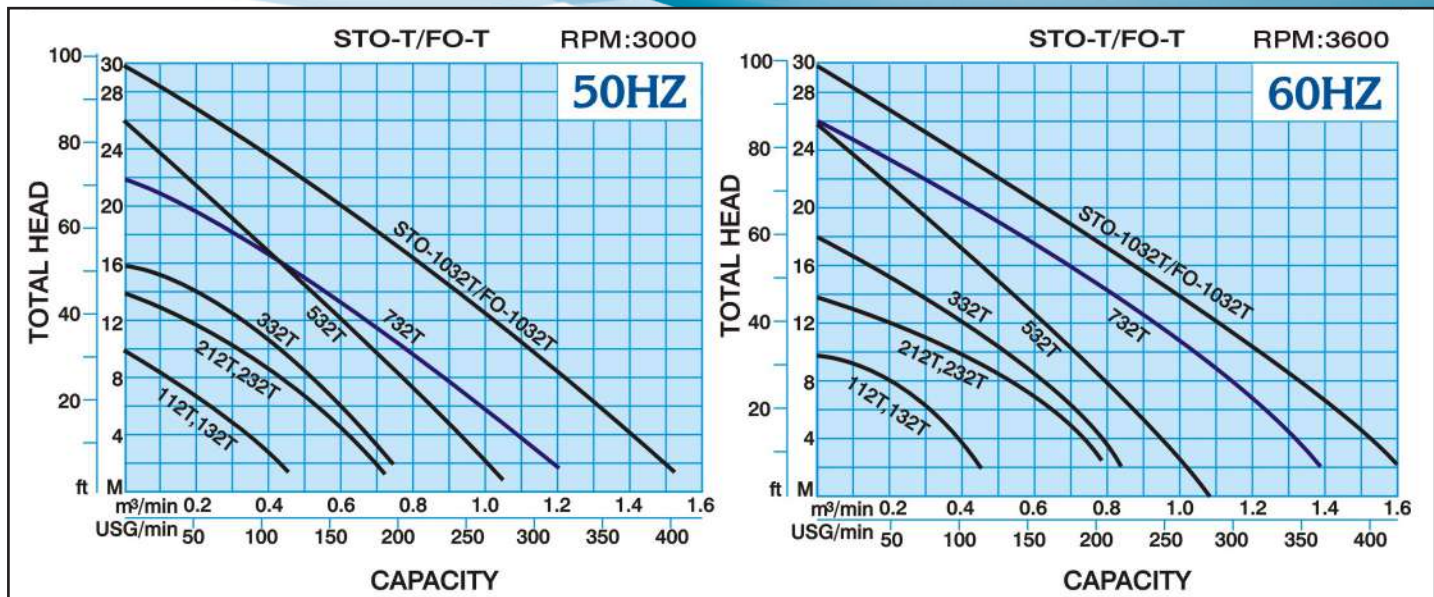
- Connecting Elbow.....1

Parts no	Discharge bore	Description	2"(50mm)	3"(80mm)	4"(100mm)	6"(150mm)	Material
126		Upper Guide Support	1.5 kg	2 kg	4.5 kg	6 kg	Cast iron
125		Guide Connector	2.7 kg	3.6 kg	4.5 kg	9.5 kg	Cast iron
97		Lifting Chain (with shackle)	4 m	4 m	4 m	4 m	Stainless steel
129		Duck Foot Bend	12 kg	30 kg	33 kg	64 kg	Cast iron
143		Connecting Elbow	...	15 kg	15 kg	30 kg	Cast iron

STO / FO PERFORMANCE CURVE



STO-T / FO-T PERFORMANCE CURVE



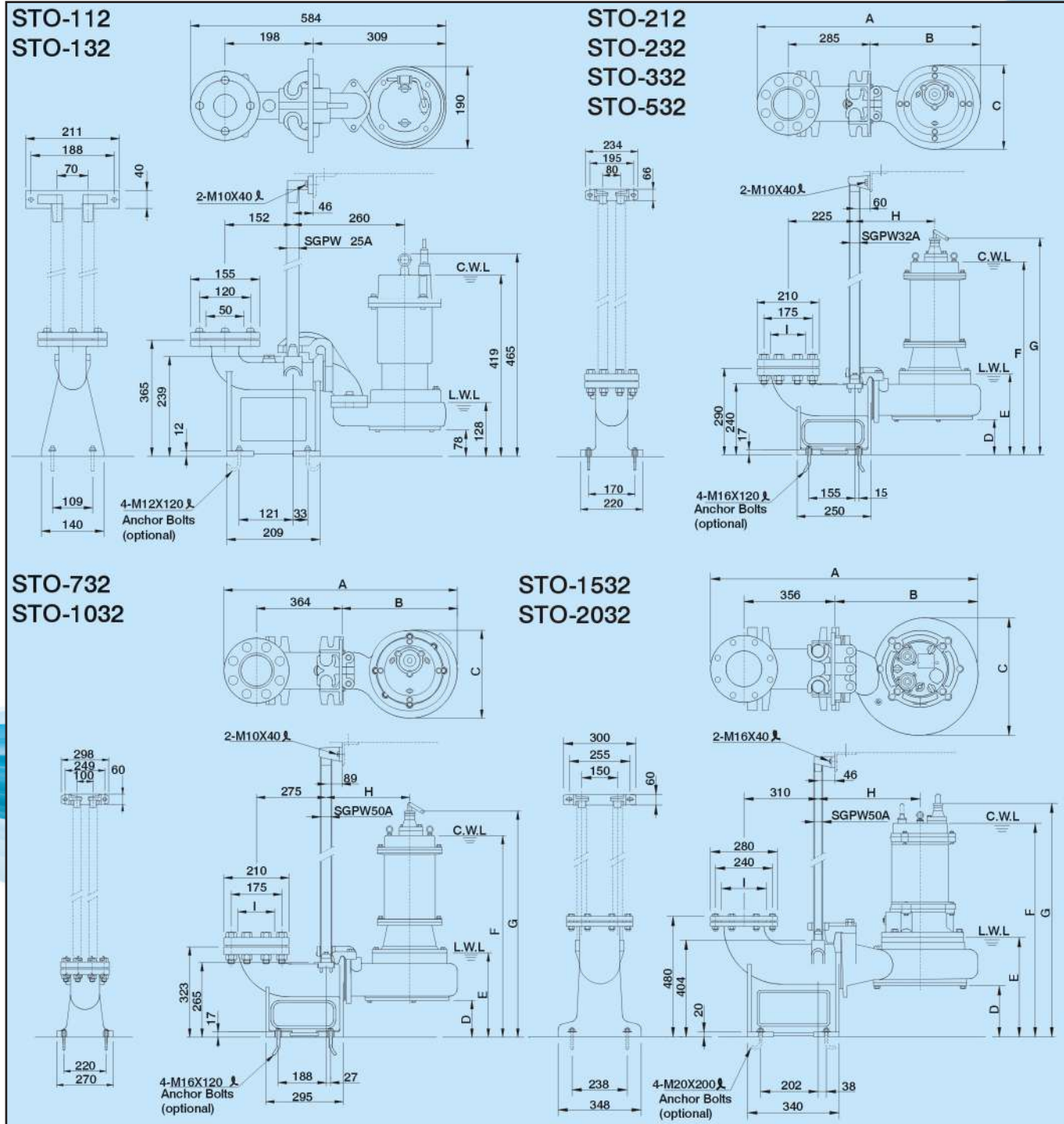
Go to www.flofab.com in Our Products Section to see the Master Spec - <http://www.arcomnet.com/masterspec/>



SEWAGE PUMPS

STO DIMENSIONS

C.W.L. : Continuous running Water Level
L.W.L. : Lowest running Water Level



unit : mm									
TYPE	A	B	C	D	E	F	G	H	I
STO-212	693	303	212	140	217	568	618	256	ø80
STO-232	693	303	212	140	217	467	515	256	ø80
STO-332	755	365	311	116	282	633	721	270	ø80(ø100)
STO-532	755	365	311	116	282	658	746	270	ø100(ø80)
STO-732	899	430	385	116	274	721	803	330	ø100
STO-1032	899	430	385	116	274	742	824	330	ø100
STO-1532	1019	623	491	215	416	894	976	427	ø150
STO-2032	1019	623	491	215	416	924	1006	427	ø150

unit : inches									
TYPE	A	B	C	D	E	F	G	H	I
STO-212	27,72	12,12	212	8,48	8,68	22,72	24,72	10,24	ø3.2
STO-232	27,72	12,12	212	8,48	8,68	18,68	20,6	10,24	ø3.2
STO-332	30,2	14,6	311	12,44	11,28	25,32	28,84	10,8	ø3.2(ø4)
STO-532	30,2	14,6	311	12,44	11,28	26,32	29,84	10,8	ø4ø3.2)
STO-732	35,96	17,2	385	15,4	10,96	28,84	32,12	13,2	ø4
STO-1032	35,96	17,2	385	15,4	10,96	29,68	32,96	13,2	ø4
STO-1532	40,76	24,92	491	19,64	16,64	35,76	39,04	17,08	ø6
STO-2032	40,76	24,92	491	19,64	16,64	36,96	40,24	17,08	ø6

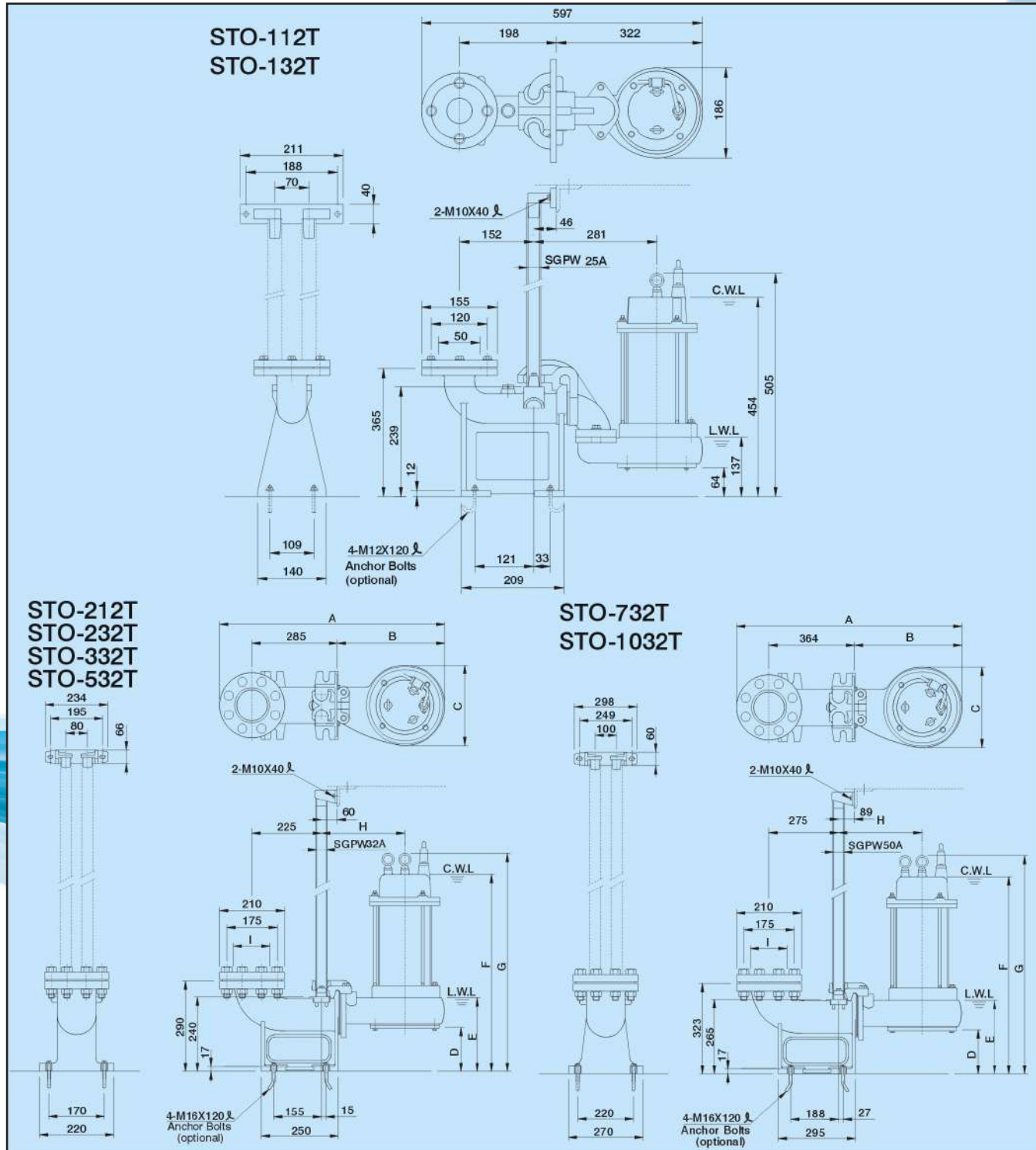
Go to www.flofab.com in Our Products Section to see the Master Spec - <http://www.arcomnet.com/masterspec/>



SEWAGE PUMPS

STO-T DIMENSIONS

C.W.L. : Continuous running Water Level
L.W.L. : Lowest running Water Level



unit : mm									
TYPE	A	B	C	D	E	F	G	H	I
STO-212T	693	303	212	140	217	568	618	256	ø80
STO-232T	693	303	212	140	217	467	515	256	ø80
STO-332T	693	303	212	140	217	487	544	256	ø80(ø100)
STO-532T	693	303	212	140	217	507	574	256	ø100(ø80)
STO-732T	803	334	254	148	229	595	663	265	ø100
STO-1032T	803	334	254	148	229	595	663	265	ø100

unit : inches									
TYPE	A	B	C	D	E	F	G	H	I
STO-212T	27,72	12,12	8,48	5,6	8,68	22,72	24,72	10,24	ø3.2
STO-232T	27,72	12,12	8,48	5,6	8,68	18,68	20,6	10,24	ø3.2
STO-332T	27,72	12,12	8,48	5,6	8,68	19,48	21,76	10,24	ø3.2(ø4)
STO-532T	27,72	12,12	8,48	5,6	8,68	20,28	22,96	10,24	ø4(ø3.2)
STO-732T	32,12	13,36	10,16	5,92	9,16	23,8	26,52	10,6	ø4
STO-1032T	32,12	13,36	10,16	5,92	9,16	23,8	26,52	10,6	ø4

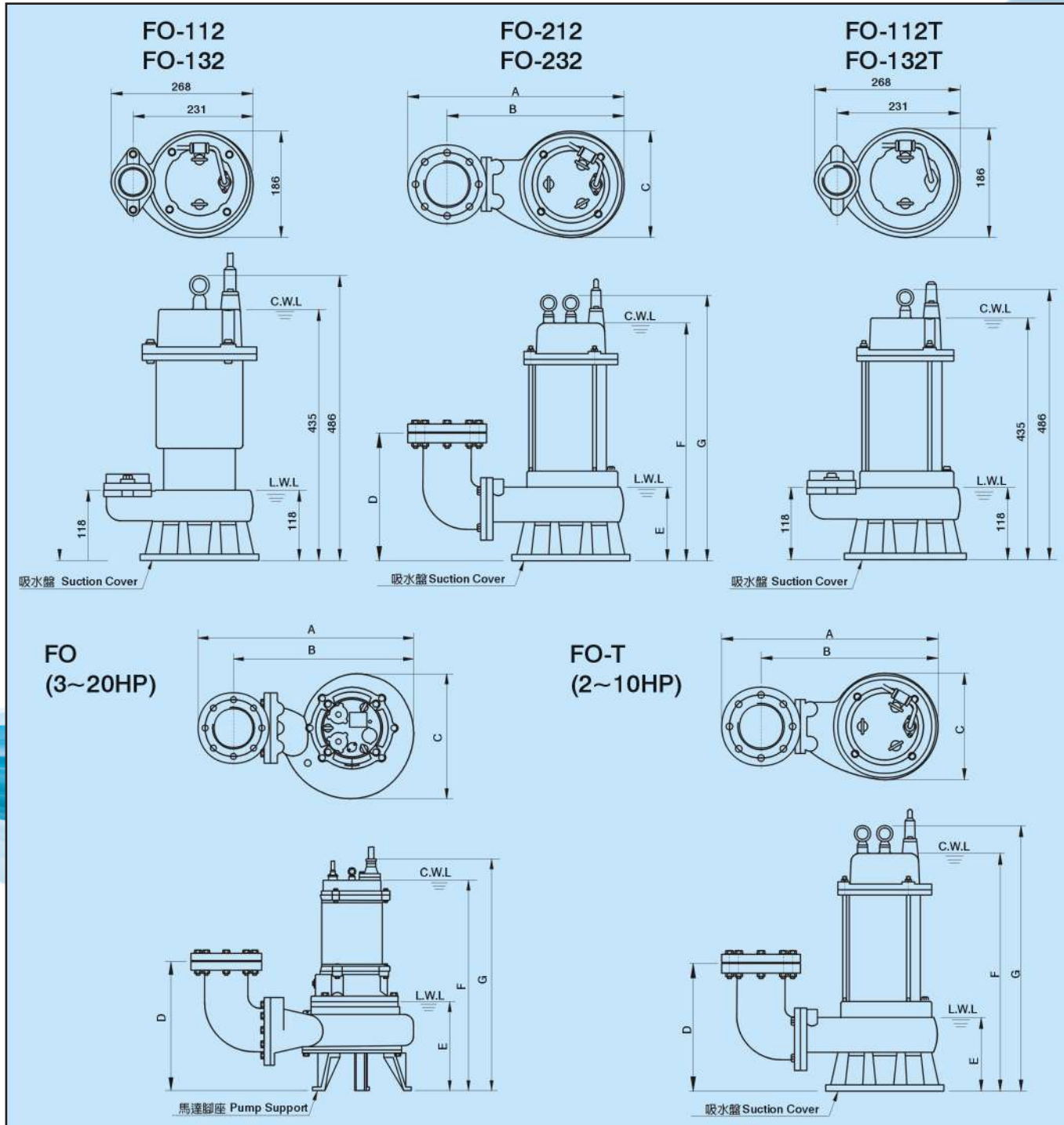
Go to www.flofab.com in Our Products Section to see the Master Spec - <http://www.arcomnet.com/masterspec/>



SEWAGE PUMPS

FO•FO-T DIMENSIONS

C.W.L. : Continuous running Water Level
L.W.L. : Lowest running Water Level



unit : mm															
TYPE	A	B	C	D	E	F	G	TYPE	A	B	C	D	E	F	G
FO-212	518	413	212	265	122	473	523	FO-212T	518	413	212	265	122	473	523
FO-232	518	413	212	265	122	372	420	FO-232T	518	413	212	265	122	372	420
FO-332	580	475	311	345	276	627	715	FO-332T	518	413	212	265	122	392	449
FO-532	580	475	311	345	276	652	740	FO-532T	518	413	212	265	122	412	479
FO-732	681	576	385	365	288	715	797	FO-732T	518	413	256	267	126	492	560
FO-1032	681	576	385	365	288	736	818	FO-1032T	518	413	256	267	126	490	560
FO-1532	880	740	491	405	311	789	817								
FO-2032	880	740	491	405	311	819	901								

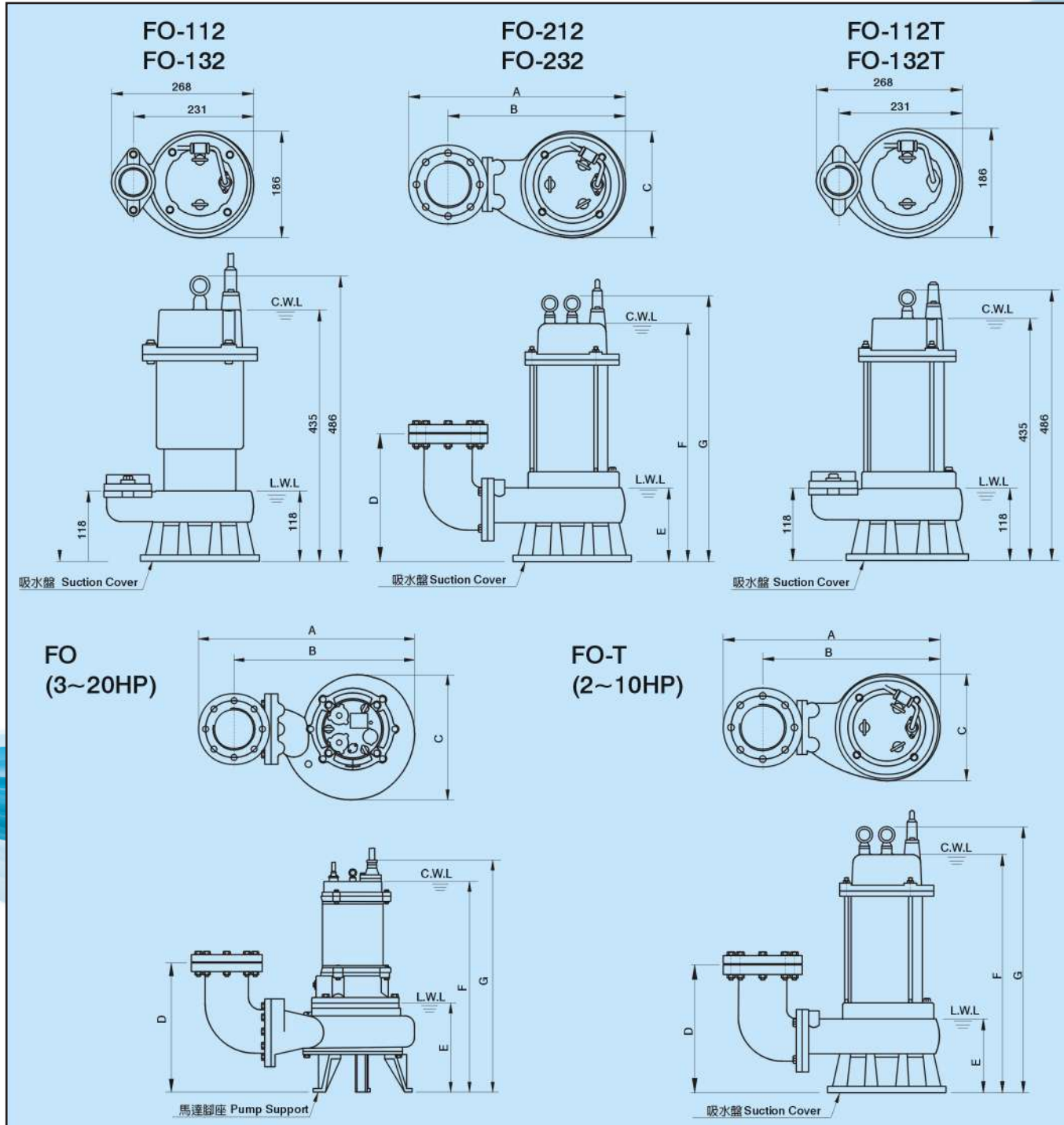
*inches on next page



SEWAGE PUMPS

FO•FO-T DIMENSIONS

C.W.L. : Continuous running Water Level
L.W.L. : Lowest running Water Level



unit : inches															
TYPE	A	B	C	D	E	F	G	TYPE	A	B	C	D	E	F	G
FO-212	20,72	16,52	8,48	10,6	4,88	18,92	20,92	FO-212T	20,72	16,52	8,48	10,6	4,88	18,92	20,92
FO-232	20,72	16,52	8,48	10,6	4,88	14,88	16,8	FO-232T	20,72	16,52	8,48	10,6	4,88	14,88	16,8
FO-332	23,2	19	12,44	13,8	11,04	25,08	28,6	FO-332T	20,72	16,52	8,48	10,6	4,88	15,68	17,96
FO-532	23,2	19	12,44	13,8	11,04	26,08	29,6	FO-532T	20,72	16,52	8,48	10,6	4,88	16,48	19,16
FO-732	27,24	23,04	15,4	14,6	11,52	28,6	31,88	FO-732T	20,72	16,52	10,24	10,68	5,04	19,68	22,4
FO-1032	27,24	23,04	15,4	14,6	11,52	29,44	32,72	FO-1032T	20,72	16,52	10,24	10,68	5,04	19,6	22,4
FO-1532	35,2	29,6	19,64	16,2	12,44	31,56	32,68								
FO-2032	35,2	29,6	19,64	16,2	12,44	32,76	36,04								

Go to www.flofab.com in Our Products Section to see the Master Spec - <http://www.arcomnet.com/masterspec/>



CUTTER PUMPS

STO-C / FO-C Series Cutter Pump

Pumps Designed for Sewage Application and Maintenance Simplified by Automatic Connecting Device

FEATURES

EPOXY Cable Sealing Base

(EPOXY) Waterproof cable prevent water infiltration, cable ends sealed with epoxy resin, and lead wires are partially tripped off for perfect resin sealing. Triple protection for the motor against water penetration.



Built-in Motor Protector

Every STO type are equipped with a self-reset circle thermal protector to prevent over-loading, locking of impeller, and scorch damage to the motor from phase failure.



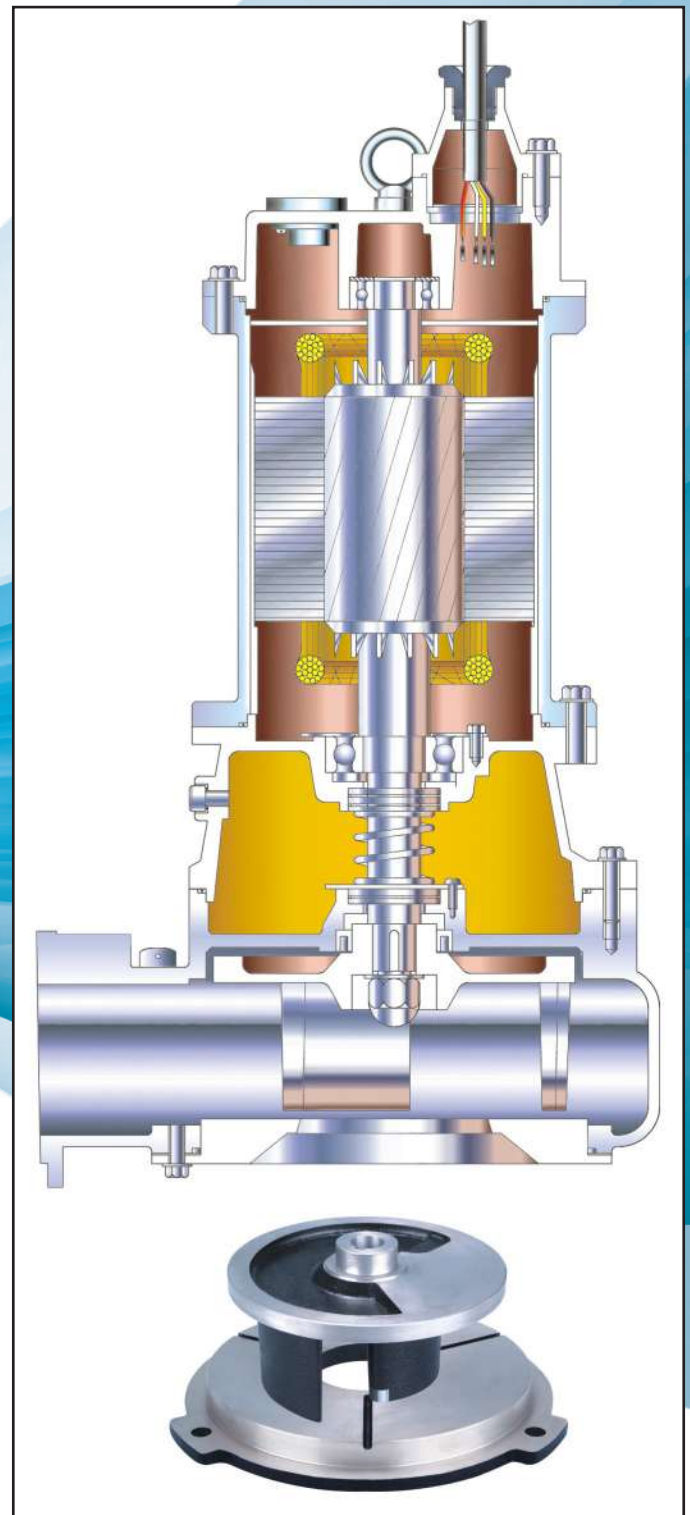
SiC Mechanical Seal

Equipped with double mechanical seals and adopted with heat-and-corrosion resistant silicon carbide mechanical seal for preventing the motor from water infiltration.



CUTTER IMPELLER & SPECIAL SUCTION COVER

A sintered tungsten carbide alloy tip is brazed onto the impeller vane and the suction cover is designed have the emission shape grooves in order to minimize cutting resistance. This «cutting mechanism» ensures materials are held for shredding in order to prevent clogging in the pump, discharge pipes and valves.



Go to www.flofab.com in Our Products Section to see the Master Spec - <http://www.arcomnet.com/masterspec/>



CUTTER PUMPS

PICTURES OF ALL MODELS

STO-C
FO-C

AUTO - SETTER TYPE CUTTER PUMP
FLOOR MOUNT TYPE CUTTER PUMP



SPECIFICATIONS:

	TYPE				MOTOR								PUMP		IMPELLER		CABLE	WEIGHT(kg)	
					Power		Amp.		Volt	Phase	SS Revolution	Starting	BORE		Solid Passage	Nb of		mm ² xm	Auto-setter
	✓	Auto-setter	✓	Floor mount	KW	HP	Start	Run	V	PH	R.P.M	method	Inch	mm	mm	Vanes			
50		STO-332C		FO-332C	2.2	3			200-240	3	1500	D.O.L	3"	80	40x50	1	3.5 ² x10	115	97
		STO-532C		FO-532C	3.7	5			200-480	3	1500	D.O.L	4"	100	53x50	1	3.5 ² x10	122	97
60		STO-332C		FO-332C	2.2	3			200-240	3	1800	D.O.L	3"	80	40x47	1	3.5 ² x10	115	97
		STO-532C		FO-532C	3.7	5			200-480	3	1800	D.O.L	4"	100	53x47	1	3.5 ² x10	122	97

STANDARD ACCESSORIES:

FOR STO-C TYPE

- Upper Guide Support1 set
- Guide Connector1 set
- Lifting Chain (with shackle) ...1 pc
- Duck Foot Bend1 set

FOR FO-C TYPE

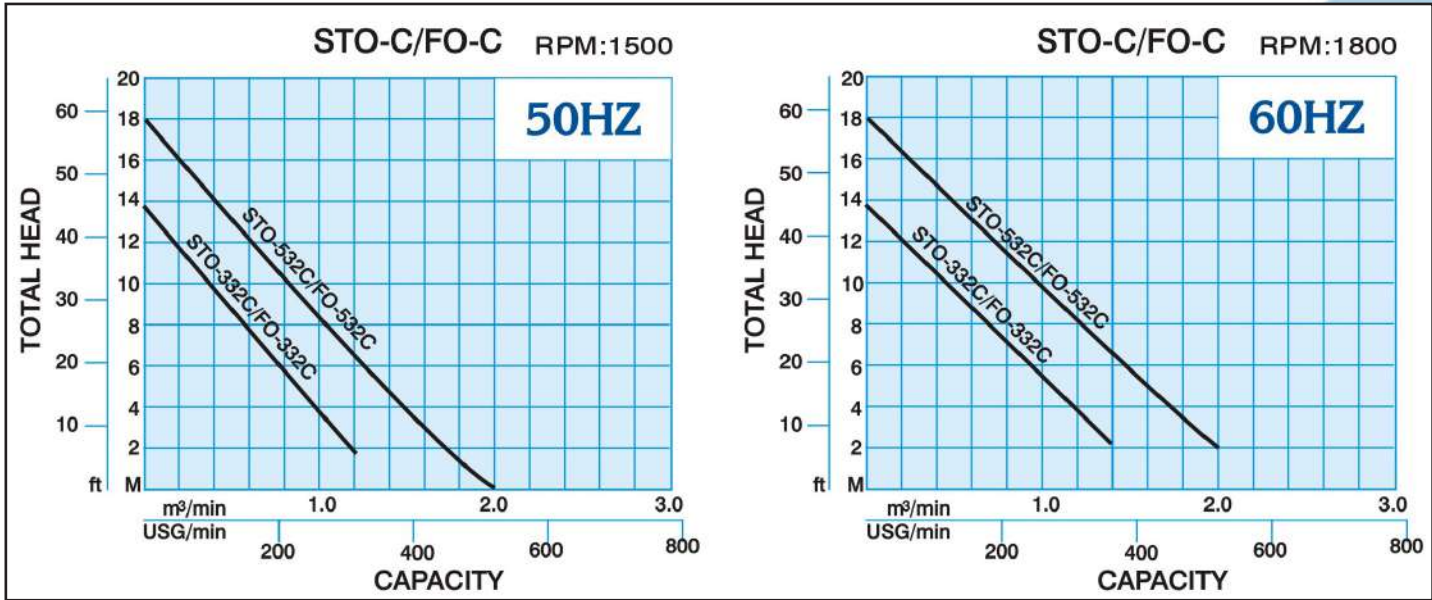
- Connecting Elbow.....1

Parts no	Discharge bore	Description	3"(80mm)	4"(100mm)	6"(150mm)	Material
126		Upper Guide Support	2 kg	4.5 kg	6 kg	Cast iron
125		Guide Connector	3.6 kg	4.5 kg	9.5 kg	Cast iron
97		Lifting Chain (with shackle)	4 m	4 m	4 m	Stainless steel
129		Duck Foot Bend	30 kg	33 kg	64 kg	Cast iron
143		Connecting Elbow	15 kg	15 kg	30 kg	Cast iron



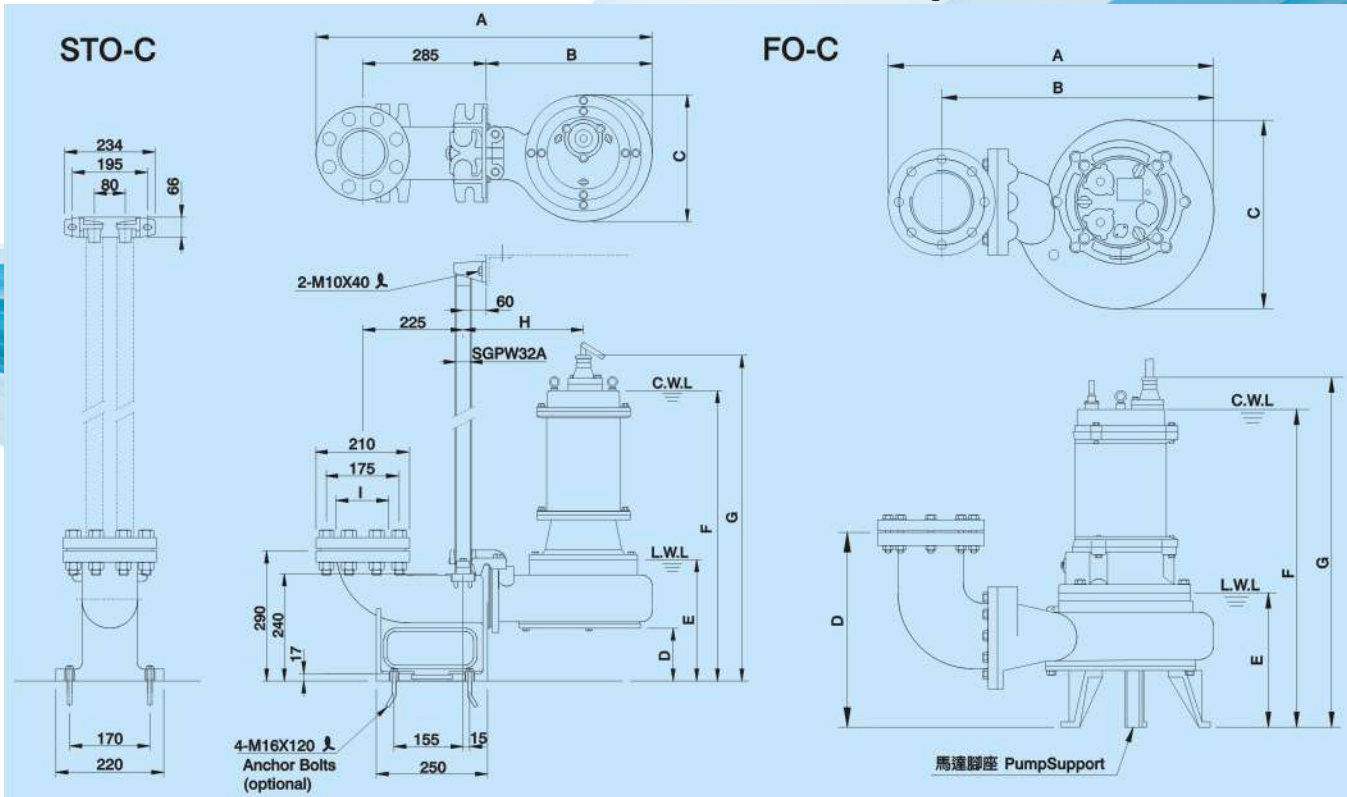
CUTTER PUMPS

STO-C/FO-C PERFORMANCE CURVES:



STO-C•FO-C DIMENSIONS:

C.W.L. : Continuous running Water Level
L.W.L. : Lowest running Water Level



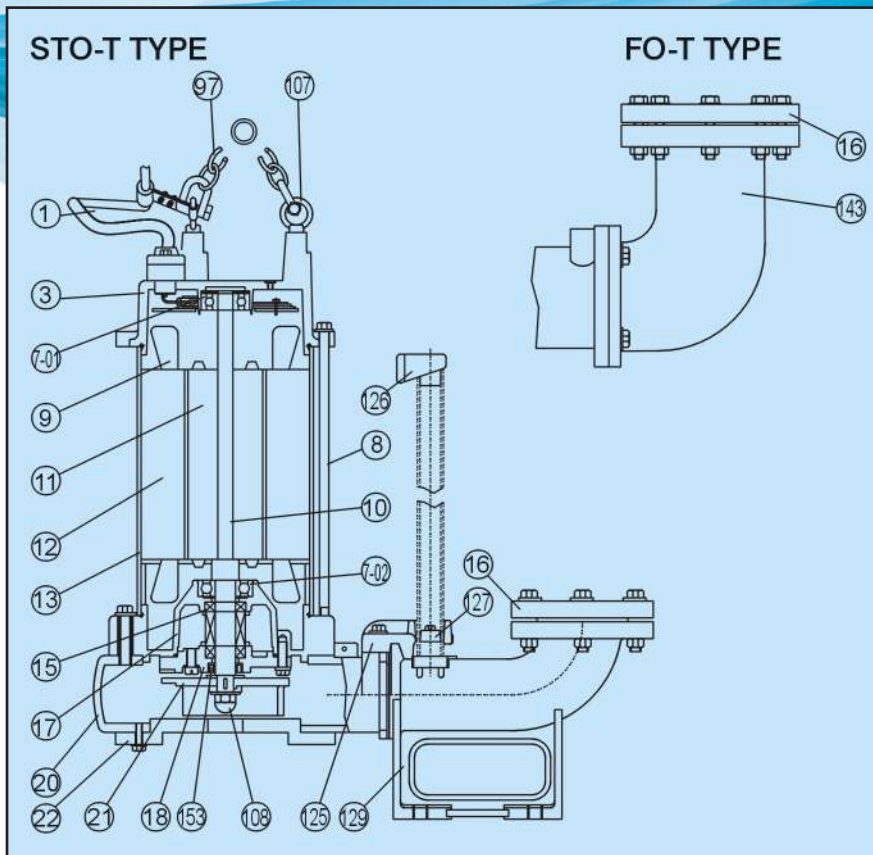
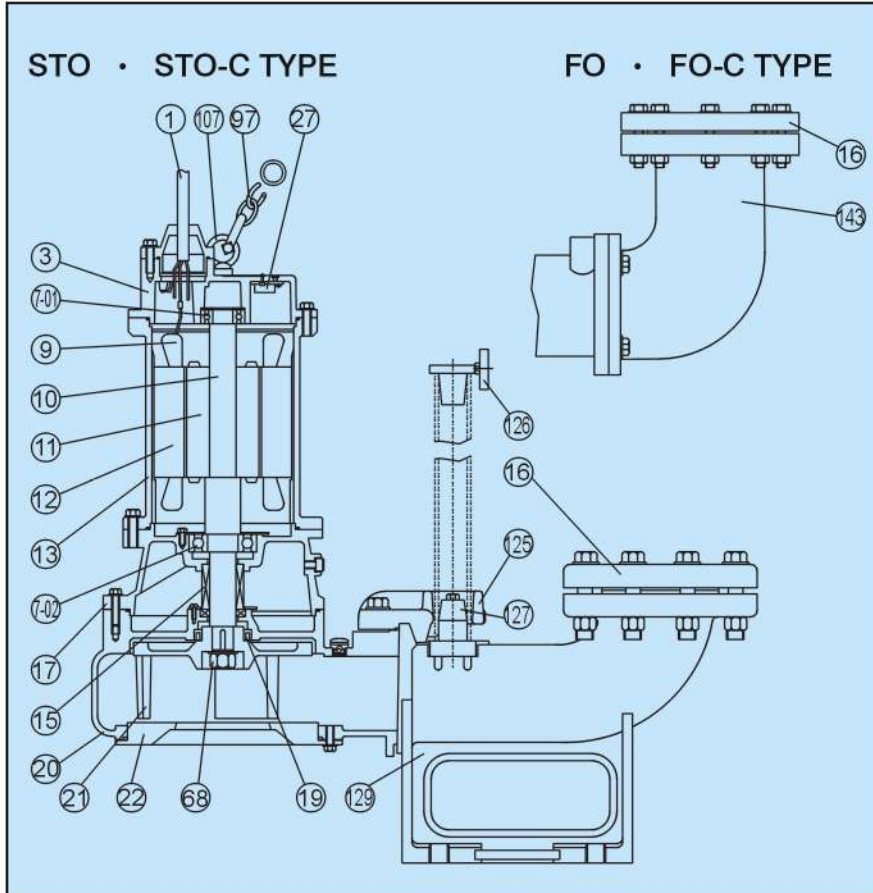
unit : mm									
TYPE	A	B	C	D	E	F	G	H	I
STO-332C	755	365	311	116	282	633	721	270	ø80(ø100)
STO-532C	755	365	311	116	282	658	746	270	ø100(ø80)
FO-332C	580	475	311	345	276	627	715	-	-
FO-532C	580	475	311	345	276	652	740	-	-

unit : inches									
TYPE	A	B	C	D	E	F	G	H	I
STO-332C	30,2	14,6	12,44	4,64	11,28	25,32	28,84	10,8	ø3.2(4)
STO-532C	30,2	14,6	12,44	4,64	11,28	26,32	29,84	10,8	ø4(3.2)
FO-332C	23,2	19	12,44	13,8	11,04	25,08	28,6	-	-
FO-532C	23,2	19	12,44	13,8	11,04	26,08	29,6	-	-



SEWAGE & CUTTER PUMPS

CONSTRUCTIONS:



NO	NAME OF PARTS	MATERIAL
1	Cable	V.C.T
3	Motor head cover	Cast iron
7-01	Upper ball bearing	
7-02	Lower ball bearing	
9	Coil	
10	Shaft	SUS 304
11	Rotor	
12	Stator	
13	Motor casing	Cast iron
15	Mechanical seal	Silicon Carbide
16	Flange	Cast iron
17	Motor lower cover	Cast iron
19	Oil seal	
20	Pump casing	Cast iron
21	Impeller (for STO)	Cast iron
	Impeller (for STO-C) with a sintered tungsten bide alloy tip	Cast iron
22	Suction cover	Cast iron
27	Thermal protector	
68	Nut	SUS 304
97	Lifting chain	SUS 304
107	Bolt	SUS 304
125	Guide connector	Cast iron
126	Upper guide support	Cast iron
127	Lower guide support	Cast iron
129	Duck foot bend	Cast iron
143	Connecting elbow	Cast iron

NO	NAME OF PARTS	MATERIAL
1	Cable	V.C.T
3	Motor head cover	Cast iron
7-01	Upper ball bearing	
7-02	Lower ball bearing	
8	Bolt	SUS 304
9	Coil	
10	Shaft	SUS 304
11	Rotor	
12	Stator	
13	Motor casing	SUS 304
15	Mechanical seal	Silicon Carbide
16	Flange	Cast iron
17	Motor lower cover	Cast iron
18	Mechanical seal cover	Cast iron
19	Oil seal	
20	Pump casing	Cast iron
21	Impeller (for STO)	Cast iron
22	Suction cover	Cast iron
27	Thermal protector	
97	Lifting chain	SUS 304
107	Bolt	SUS 304
108	Nut	Bronze
125	Guide connector	Cast iron
126	Upper guide support	Cast iron
127	Lower guide support	Cast iron
129	Duck foot bend	Cast iron
143	Connecting elbow	Cast iron



Go to www.flofab.com in Our Products Section to see the Master Spec - <http://www.arcomnet.com/masterspec/>



SEWAGE & CUTTER PUMPS

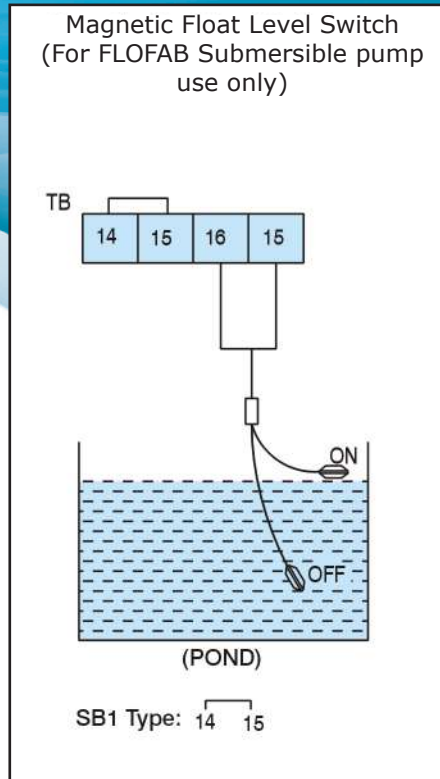
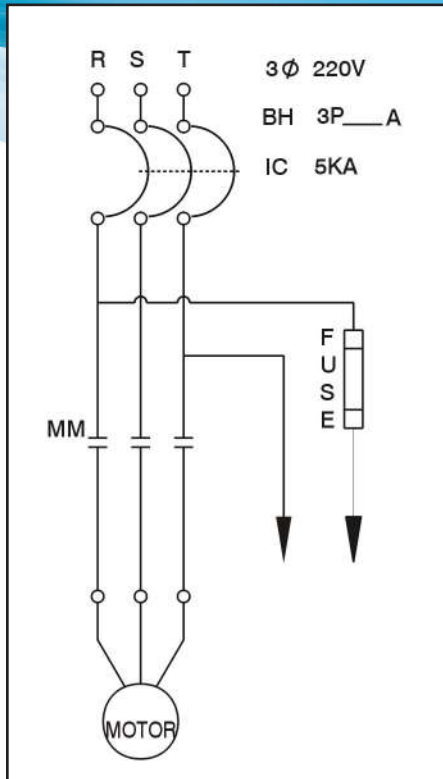
FLOAT LEVEL CONTROL PANEL -only for sewage pump use

- SB1 Type : Automatic Operation for only one pump use.
- SB2 Type : Automatic Alternate Operation for two pump use.
- SB3 Type : Automatic Alternate & Simultaneous Operation for two pump use.

<p>Control Panel</p> 	<p>Magnetic Float Level Switch -Standard cable length : 9 M</p>  <p>SB1 & SB2 type : 1pc Magnetic Float Level Switch SB3 type : 2 pcs Magnetic Float Level Switch</p>
--	--

ELECTRICAL WIRING SCHEMATIC DIAGRAM

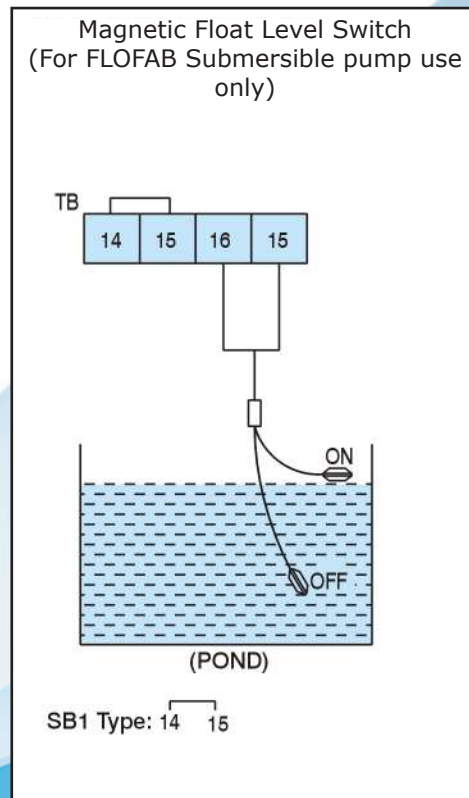
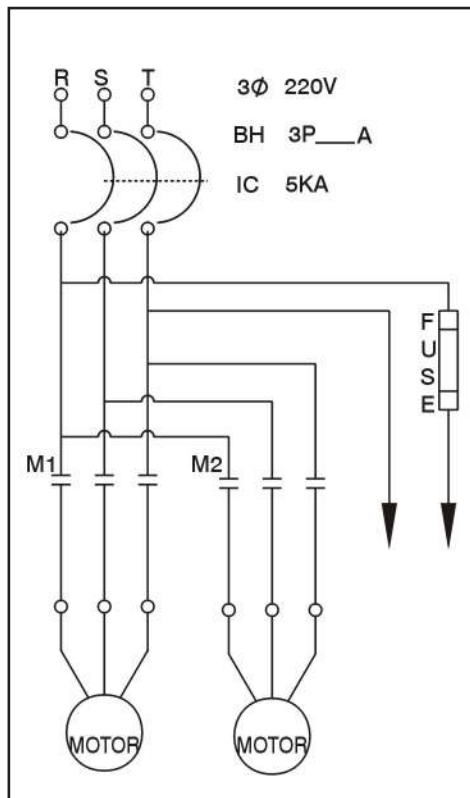
SB1 Type: Automatic Operation for only single pump use



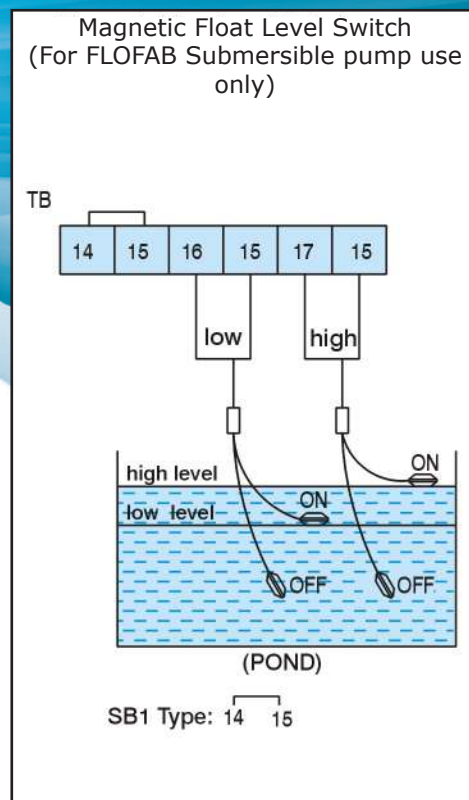
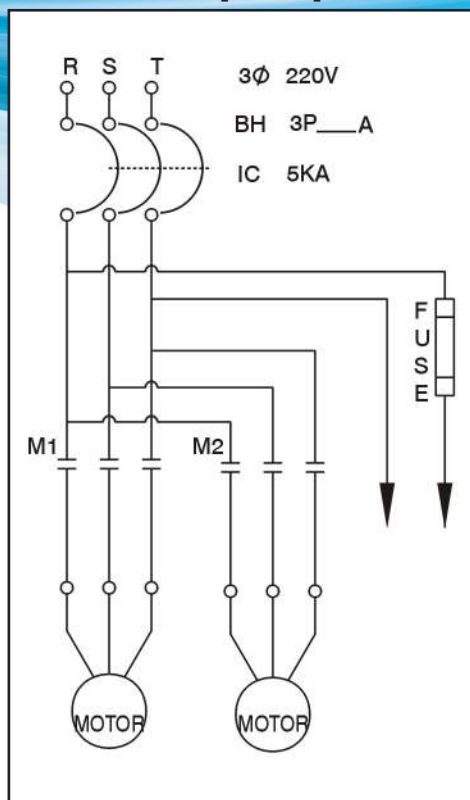


ELECTRICAL WIRING SCHEMATIC

SB2 Type: Automatic Operation for two pump use



SB3 Type: Automatic Alternate & Simultaneous Operation for two pump use.





DRAINAGE PUMPS

SC Series SUBMERSIBLE DRAINAGE PUMP SCA Series AUTOMATIC SUBMERSIBLE DRAINAGE

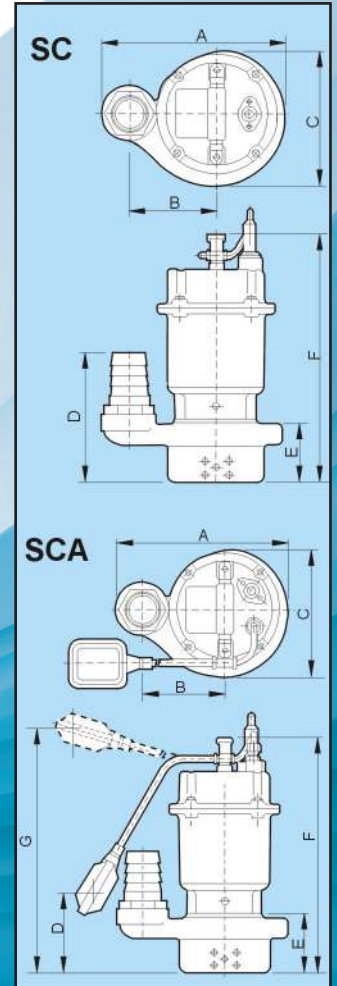
FEATURES:

- A. Motor:** Dry motor with level of protection IP 68, suitable for continuous duty.
- B. Thermal Protector:** Single phase model built-in thermal protector prevents any burning damage to the motor.
- C. Pump Casing:** Tough cast iron casing guarantees high pumping efficiency.
- D. Impeller:** Excellent durability, semi-open type impeller design, prevents clogging by mud, sand, etc.
- E. Suction Cover:** Easily replaceable.
- F. Triplex Seals:** Equipped with double mechanical seal with one oil seal.

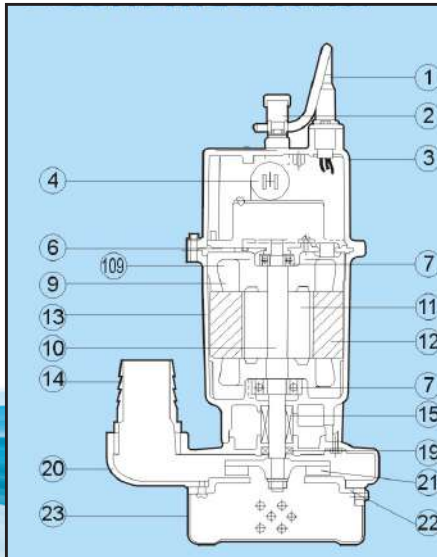
APPLICATION:

1. Civil engineering & construction.
2. Fountains and water features
3. Tunnel & caisson drainage.
4. Agricultural irrigation.
5. Drainage of seepage water, pumping of rain waste water, draining of environments, bathing and swimming pools, industrial applications

DIMENSIONS:

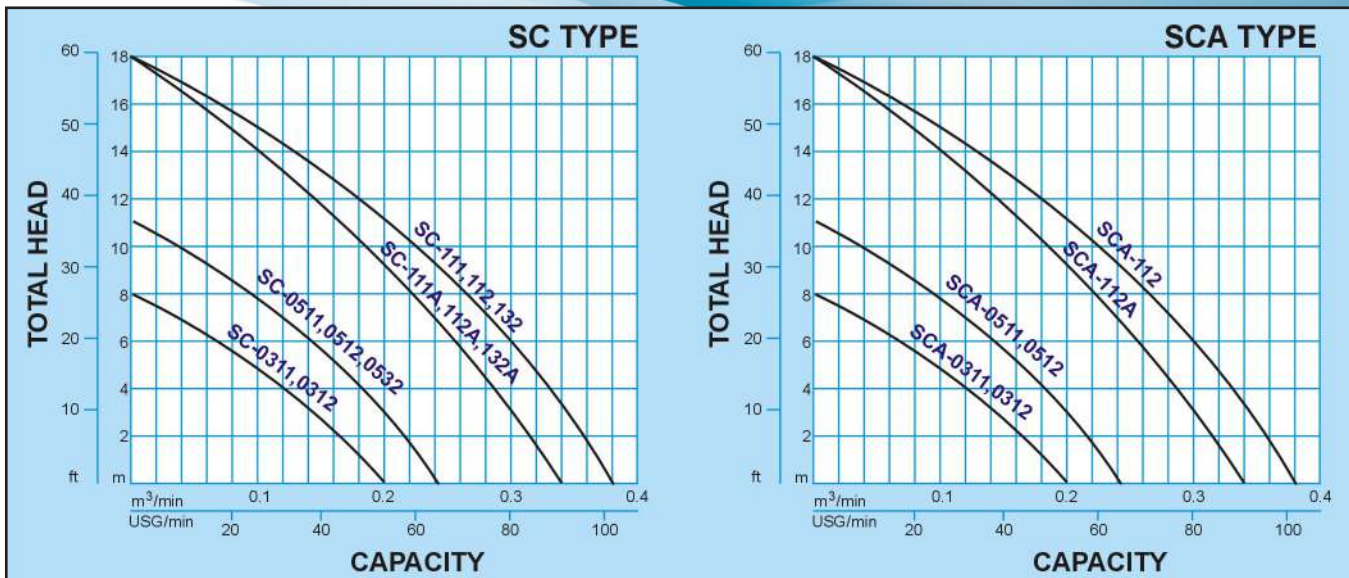


CONSTRUCTIONS:



NO.	PARTS LIST	MATERIAL
1	Cable	V. C. T.
2	Handle	Stainless Steel
3	Motor Head Cover	Cast Iron
4	Condenser	1∅ only
6	Upper Bracket	1∅ only
7	Upper Ball Bearing	Cast Iron
9	Coil	
10	Shaft	Stainless Steel
11	Rotor	Steel Plate
12	Stator	Steel Plate
13	Motor Casing	Cast Iron
14	Hose Coupling	Plastic
15	Mechanical Seal	Ceramic-Carbon
19	Oil Seal	Synthetic Rubber
20	Pump Casing	Cast Iron
21	Impeller	Cast Iron
22	Suction Cover	Cast Iron
23	Strainer	Steel
24	Float Switch	Only for SCA

PERFORMANCE CURVE 50Hz (RPM: 3000) / 60Hz (RPM: 3600):



Go to www.flofab.com in Our Products Section to see the Master Spec - <http://www.arcomnet.com/masterspec/>



DRAINAGE PUMPS

SC Series SUBMERSIBLE DRAINAGE PUMP SCA Series AUTOMATIC SUBMERSIBLE DRAINAGE

SPECIFICATIONS:

DIMENSIONS (MM):

✓	TYPE	MOTOR			PUMP		Cable	Weight	Spherical Solid Handling	SIZE										
		Power		Phase	Volt	Disch. Diam.				mm	in	mm ² xM	KG	mm	mm	mm	mm	mm	mm	mm
		KW	HP	PH	V															
DRAINAGE PUMP																				
	SC-0311	0.25	1/3	1	110	40	1 1/2	1.25 ² x6	9	7	225	110	170	163	80	350				
	SC-0312				220															
	SC-0511	0.4	1/2	1	110	50	2	1.25 ² x6	11	7	255	120	190	165	85	410				
	SC-0512				220															
	SC-0532				3													220-440		
	SC-111A	0.75	1	1	110	50	2	2 ² x6	21	7	255	120	190	165	85	430				
	SC-112A				220			1.25 ² x6												
	SC-132A				3			220-440												
	SC-111	0.75	1	1	110	80	3	2 ² x6	24	7	310	125	210	225	95	430				
	SC-112				220			1.25 ² x6												
	SC-132				3			220-440												
AUTOMATIC DRAINAGE PUMP																				
	SCA-0311	0.25	1/3	1	110	40	1 1/2	1.25 ² x6	9	7	225	110	170	85	80	350	400			
	SCA-0312				220															
	SCA-0511	0.4	1/2	1	110	50	2	1.25 ² x6	11	7	255	120	190	90	85	410	450			
	SCA-0512				220															
	SCA-112A	0.75	1	1	220	50	2	1.25 ² x6	21	7	255	120	190	90	85	430	480			
	SCA-112				220													80	3	24

AMPS :

TYPE	60Hz/1Ph		60Hz/3Ph			
	110V	220V	208V	230V	460V	575V
	Amp	Amp	Amp	Amp	Amp	Amp
DRAINAGE PUMP						
SC-0311	6					
SC-0312		3				
SC-0512		4				
SC-112A		7				
SC-132A			3.7	3.5	2	1.3
SC-112		7				
SC-132			3.7	3.5	2	1.3
AUTOMATIC DRAINAGE PUMP						
SCA-0311	6					
SCA-0312		3				
SCA-112A		7				
SCA-112		7				

DIMENSIONS (IN):

TYPE	SIZE						
	A	B	C	D	E	F	G
	mm	mm	mm	mm	mm	mm	mm
DRAINAGE PUMP							
SC-0311	9	4.4	6.8	6.52	3.2	14	
SC-0312							
SC-0511	10.2	4.8	7.6	6.6	3.4	16.4	
SC-0512							
SC-0532							
SC-111A	10.2	4.8	7.6	6.6	3.4	17.2	
SC-112A							
SC-132A							
SC-111	12.4	5	8.4	9	3.8	17.2	
SC-112							
SC-132							
AUTOMATIC DRAINAGE PUMP							
SCA-0311	9	4.4	6.8	3.4	3.2	14	16
SCA-0312							
SCA-0511	10.2	4.8	7.6	3.6	3.4	16.4	18
SCA-0512							
SCA-112A	10.2	4.8	7.6	3.6	3.4	17.2	19.2
SCA-112	12.4	6.2	8.4	4	3.8	17.2	19.2

Go to www.flofab.com in Our Products Section to see the Master Spec - <http://www.arcomnet.com/masterspec/>



DRAINAGE PUMPS

SF Series SUBMERSIBLE DRAINAGE PUMP SFA Series AUTOMATIC SUBMERSIBLE DRAINAGE

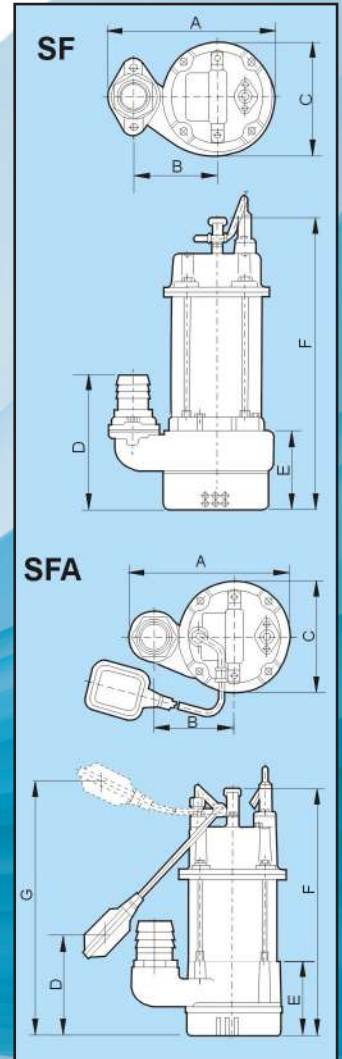
FEATURES:

1. Mini size light-weight, best quality among similar type.
2. The housing of motor and screws are manufactured with stainless steel.
3. The pumping performance is better, electricity-saving. The water volume is large and its usage and maintenance are very convenient.
4. Supplied with float level switch in the Automatic version - SFA type.

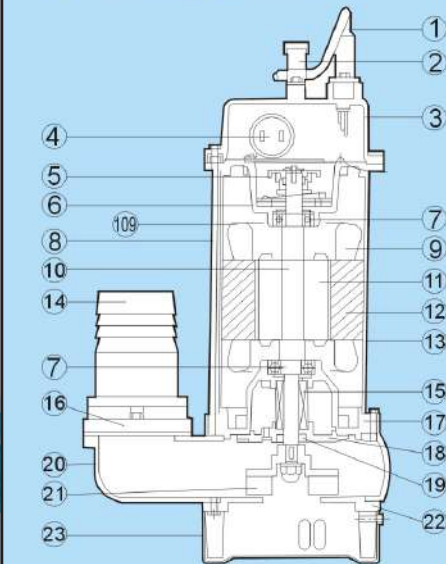
APPLICATION:

1. Civil engineering & construction.
2. Fountains and water features
3. Tunnel & caisson drainage.
4. Agricultural irrigation.
5. Drainage of seepage water, pumping of rain waste water, draining of environments, bathing and swimming pools, industrial applications

DIMENSIONS:

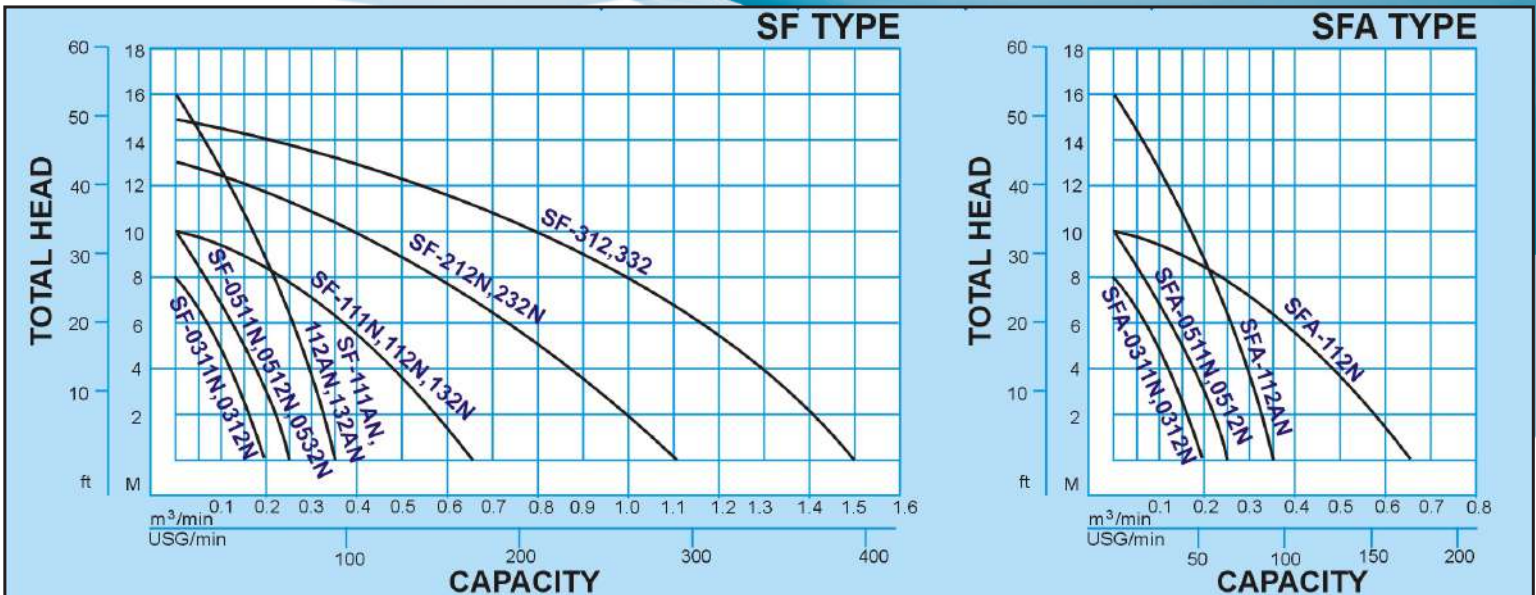


CONSTRUCTIONS:



NO.	PARTS LIST	MATERIAL
1	Cable	V. C. T.
2	Handle	Stainless Steel(1/2~3HP)
3	Motor Head Cover	Cast Iron
4	Condenser	1φ only
5	Centrifugal Switch	1φ only
6	Upper Bracket	Cast Iron
7	Upper Ball Bearing	
8	Bolt	Stainless Steel
9	Coil	
10	Shaft	Stainless Steel
11	Rotor	Steel Plate
12	Stator	Steel Plate
13	Motor Casing	Stainless Steel
14	Hose Coupling	Plastic & Cast Iron
15	Mechanical Seal	Ceramic-Carbon
16	Flange Setter	Cast Iron
17	Motor Lower Cover	Cast Iron
18	Mechanical Seal Cover	Plastic / Cast Iron
19	Oil Seal	Synthetic Rubber
20	Pump Casing	Cast Iron
21	Impeller	Cast Iron / Bronze
22	Suction Cover	Cast Iron
23	Strainer	Plastic (1/3HP& 1/2HP) Stainless Steel (1~3HP)
24	Float Switch	Only for SFA

PERFORMANCE CURVE 50Hz (RPM: 3000) / 60Hz (RPM: 3600):



Go to www.flofab.com in Our Products Section to see the Master Spec - <http://www.arcomnet.com/masterspec/>



DRAINAGE PUMPS

SF Series SUBMERSIBLE DRAINAGE PUMP SFA Series AUTOMATIC SUBMERSIBLE DRAINAGE

SPECIFICATIONS:

DIMENSIONS (MM):

✓	TYPE	MOTOR				PUMP		Cable	Weight	Spherical Solid Handling	SIZE								
		Power		Amp.		Phase	Volt				Disch. Diam.	A	B	C	D	E	F	G	
		KW	HP	Start	Run	PH	V												mm
DRAINAGE PUMP																			
	SF-0311N	0.25	1/3			1	110	40	1 1/2	1.25 ³ x6	9	4	200	100	140	155	75	340	
	SF-0312N			220															
	SF-0511N	0.4	1/2			1	110	50	2	1.25 ³ x6	11	4	215	120	155	161	80	355	
	SF-0512N			220															
	SF-0532N			3	220-440														
	SF-111AN	0.75	1			1	110	50	2	2 ³ x6	21	6	265	130	190	180	85	460	
	SF-112AN			220															
	SF-132AN			3	220-440														
	SF-111N	0.75	1			1	110	80	3	2 ³ x6	24	6	300	150	190	240	125	505	
	SF-112N			220															
	SF-132N			3	220-440														
	SF-212N	1.5	2			1	220	100	4	3.5 ³ x10	35	9	385	192	225	280	130	545	
	SF-232N			3	220-240		30												
	SF-312	2.2	3			1	220	125	5	3.5 ³ x10	48	9	410	200	240	300	140	585	
	SF-332			3	220-240		46												410
AUTOMATIC DRAINAGE PUMP																			
	SFA-0311N	0.25	1/3			1	110	40	1 1/2	1.25 ³ x6	9	4	200	100	140	80	75	340	425
	SFA-0312N			220															
	SFA-0511N	0.4	1/2			1	110	50	2	1.25 ³ x6	11	4	235	120	155	85	80	355	450
	SFA-0512N			220															
	SFA-112AN	0.75	1			1	220	50	2	2 ³ x6	21	6	265	130	190	90	85	460	500
	SFA-112N			220	80		3												

DIMENSIONS (IN):

TYPE	SIZE						
	A	B	C	D	E	F	G
	in	in	in	in	in	in	in
DRAINAGE PUMP							
SF-0311N	8	4	5.6	6.2	3	13.6	
SF-0312N							
SF-0511N	8.6	4.8	6.2	6.44	3.2	14.2	
SF-0512N							
SF-0532N							
SF-111AN	10.6	5.2	7.6	7.2	3.4	18.4	
SF-112AN							
SF-132AN							
SF-111N	12	6	7.6	9.6	5	20.2	
SF-112N							
SF-132N							
SF-212N	15.4	7.68	9	11.2	5.2	21.8	
SF-232N	15.4	7.68	9	11.2	5.2	17.6	
SF-312	16.4	8	9.6	12	5.6	23.4	
SF-332	16.4	8	9.6	12	5.6	19.4	
AUTOMATIC DRAINAGE PUMP							
SFA-0311N	8	4	5.6	3.2	3	13.6	17
SFA-0312N							
SFA-0511N	9.4	4.8	6.2	3.4	3.2	14.2	18
SFA-0512N							
SFA-112AN	10.6	5.2	7.6	3.6	3.4	18.4	20
SFA-112N	12	6	7.6	4	5	20.2	22

Go to www.flofab.com in Our Products Section to see the Master Spec - <http://www.arcomnet.com/masterspec/>



DRAINAGE PUMPS

SC-112A

MOTOR	(Hz)	(HP)	(V)	(PH)	(A)	(P)	RPM	PUMP	(mm)	(in)
	60	1	220	1	7	2	3600		50	2

	m ³ /m	m	V	A	Pin (KW)	BHP (KW)	WHP (KW)	%
1	0.37	2.0	220	6.4	1.12	0.75	0.12	16.1
2	0.25	9.4	220	5.7	0.99	0.66	0.38	57.7
3	0.21	11.7	220	5.6	0.98	0.66	0.40	61.0
4	0.20	12.0	220	5.5	0.97	0.65	0.39	60.4
5	0.18	12.7	220	5.4	0.94	0.63	0.37	59.2
6	0.00	18.0	220	4.2	0.76	0.51	0.00	0.0



SEWAGE PUMPS

SS / SSA / ST / STA Series

Vortex Sewage Pump

Advanced «Shredder Mechanism»

Unique «Epoxy Cable Seating Base» to ensure 100%

capability to block the water vapor into the motor from outside.

Triplex Seal System - Double Mechanical Seal plus OH Seal

FEATURES:

* Impeller :

hydrodynamically well-balanced dual blade semi-open non-clogging type.

* Mechanical Seal :

Oil-bath type, double mechanical seal & oil seal offers which ensure a longer pump life.

* Shredder Mechanism :

Surface hardening heat treatment is done on impeller vanes and cutting edges on impeller cover, both of which are the main components of shredder mechanism.

* Compact and Light-Weight :

Designed to be light so easy to carry and handle.

* Quiet :

Dynamic balance adjuster enables pump to run balanced with less noise in addition to underwater operation.

* Economical :

Long-runable with less maintenance cost.

APPLICATION:

Ideal for sewage, industrial & ground water drainage installation in the following fields.

- # Sewage pumping stations.
- # Sewage treatment plants.
- # Septic tanks.

- # Collecting & settling sumps
- # Flood & emergency.

- # Anywhere drainage of dirty water with rags mixed in.

* Residential Sites

- # Residential houses
- # Small groups of houses
- # Flats & apartment

* Commercial Sites

- # Restaurants & shops
- # Markets & supermarkets
- # Hospitals

- # Laundries

- # Stations

- # Theaters

- # Garages

* Industrial Sites

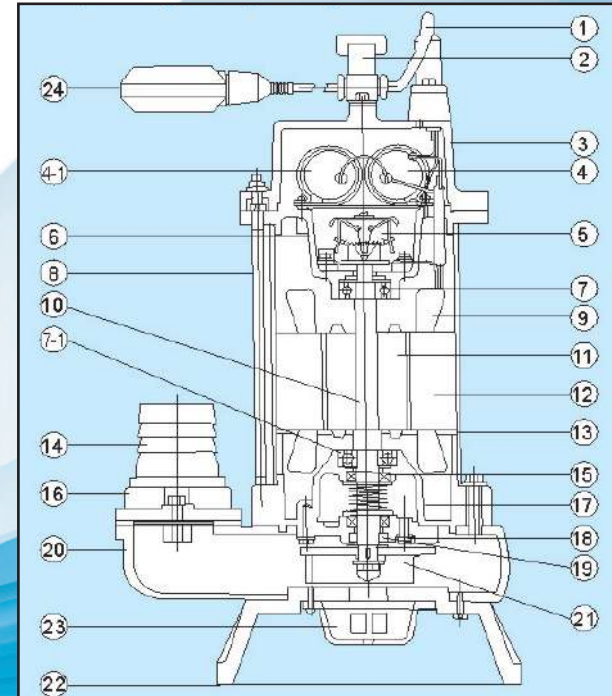
- # Mills & factories, for pumping slurry, sludge, viscous & dirty water arised during processes.

Industrial buildings.

- # Sewage treatment plants.
- # Water purification plants

CONSTRUCTIONS:

SS/SSA/SST/STA/SSM/SMA



NO.	PARTS LIST	MATERIAL
1	Cable	VCT
2	Handle	Stainless Steel
3	Motor Head Cover	Cast Iron
4	Running Capacitor	µF
4-1	Starting Capacitor	MFD
5	Centrifugal Switch	
6	Upper Bracket	Cast Iron
7	Upper Ball Bearing	
7-1	Lower Ball Bearing	
8	Bolt	Stainless Steel
9	Coil	
10	Shaft	Carbon Steel Stainless Steel
11	Rotor	Steel Plate
12	Stator	Steel Plate
13	Motor Casing	Stainless Steel
14	Hose Coupling	Plastic/Cast Iron
15	Mechanical Seal	Ceramic Carbon (SS/SSA/SSM/SMA) Silicon Carbide (SST/STA)
16	Flange Setter	Cast Iron
17	Motor Lower Cover	Cast Iron
18	Mechanical Seal Cover	Cast Iron
19	Oil Seal	Synthetic Rubber
20	Pump Casing	Cast Iron
21	Impeller	Cast Iron
22	Suction Cover	Cast Iron
23	Strainer	Plastic
24	Floating Switch	SSA/STA/SMA

Shredder Mechanism:



The impeller together with edges and grooves on impeller cover shreds and pumps out any rags coming in between the impeller and the impeller cover.

The cutting blades are designed to have the specific and spiral curves in order to minimize cutting resistance. Surface hardening heat treatment is done on edges.



Hydrodynamically well-balanced dual blade impeller is mounted.

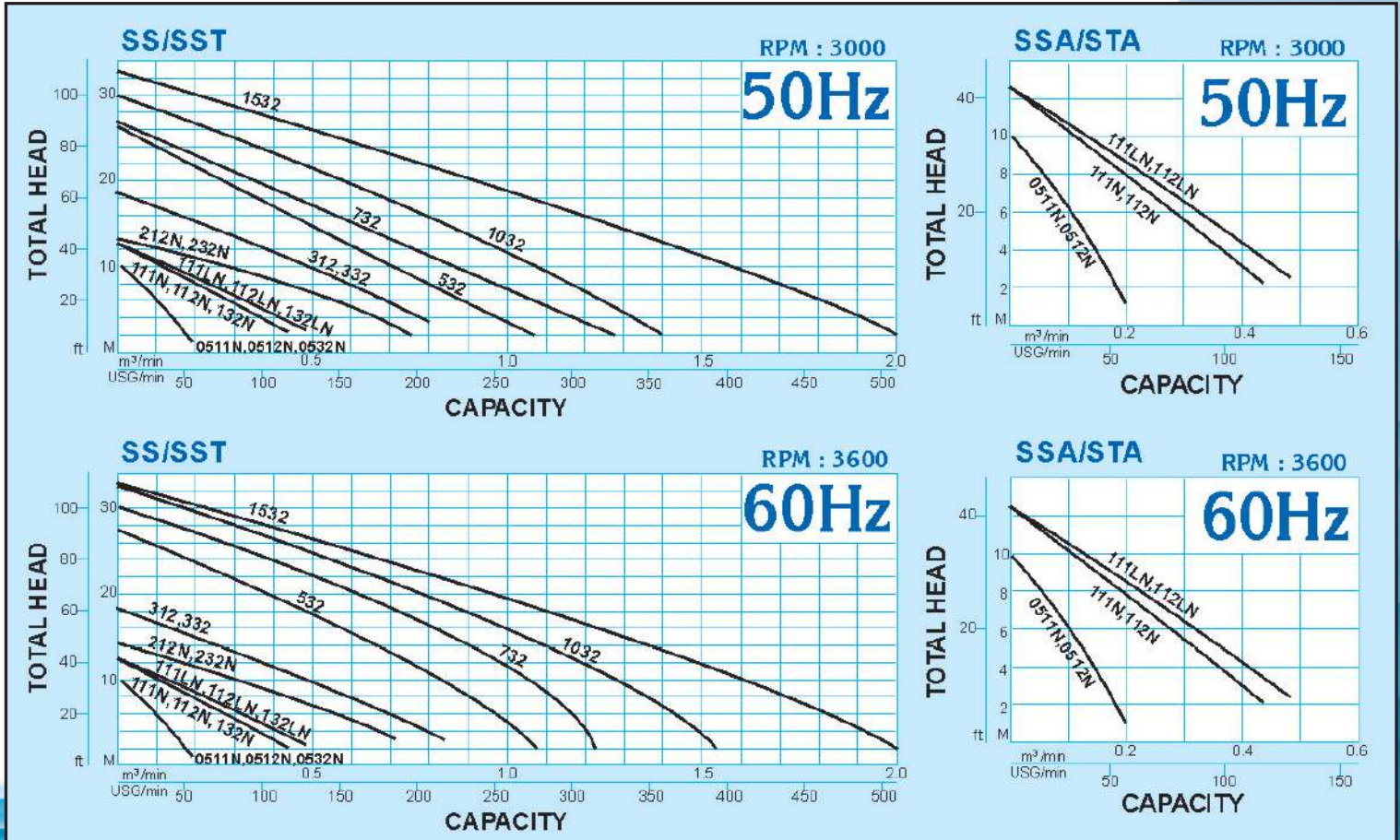


DRAINAGE PUMPS

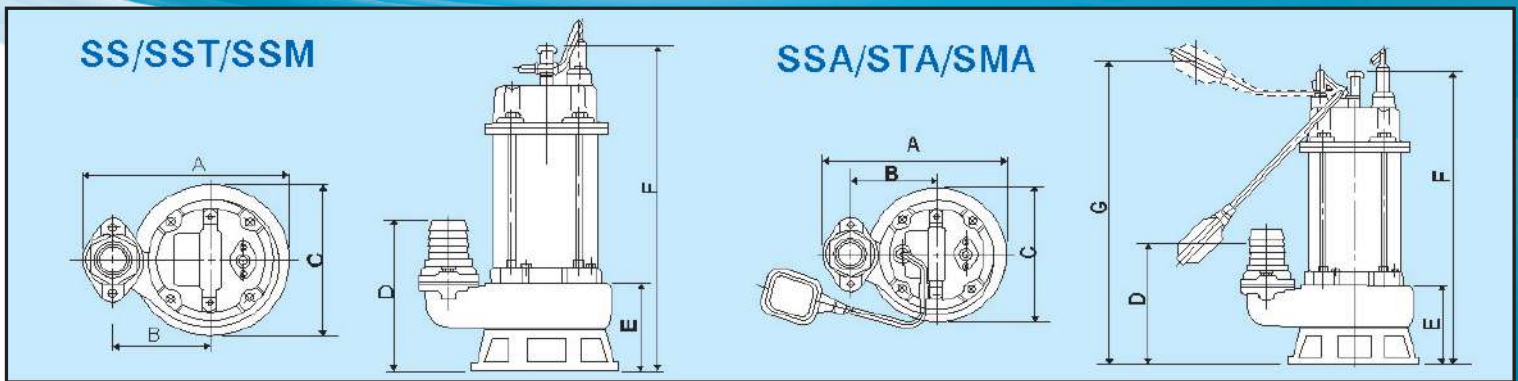
SS / SSA / ST / STA Series

Vortex Sewage Pump

PERFORMANCE CURVES:



DIMENSIONS:



Go to www.flofab.com in Our Products Section to see the Master Spec - <http://www.arcomnet.com/masterspec/>



DRAINAGE PUMPS

SS / SSA / ST / STA Series Vortex Sewage Pump

SPECIFICATIONS:

DIMENSIONS (MM):

TYPE		MOTOR				Disch. Diam.		Solid Passage	Cable	Weight	SIZE								
		Power	Amp.	Phase	Volt						A	B	C	D	E	F	G		
✓	✓	HP	KW	Start	Run	PH	V	in	mm	mm	mm ² xM	KG	mm	mm	mm	mm	mm	mm	mm
SS	SST	SS/SST : Manual Type				SS(With Ceramic Carbon Seal)				SST(With Silicon carbide Seal)									
SS-0511N		1/2	0.4			1	110	2	0.20	14	1.25 ² x6	11	230	102	180	165	85	350	
SS-0512N	220																		
SS-0532N	200-480																		
SS-111N	SST-111N	1	0.75			1	110	2	0.50	25	2 ² x6	22	290	135	225	205	115	470	
SS-112N	SST-112N						220												
SS-132N	SST-132N						200-480												
SS-111LN	SST-111LN	1	0.75			1	110	3	0.60	25	2 ² x6	24	320	150	225	240	117	470	
SS-112LN	SST-112LN						220												
SS-132LN	SST-132LN						200-480												
SS-212N	SST-212N	2	1.5			1	200-480	3	0.80	28	3.5 ² x10	36	355	165	265	260	140	550	
SS-232N	SST-232N						3						200-480	30	355	165	265	260	140
SS-312	SST-312	3	2.2			1	200-480	4	0.90	28	3.5 ² x10	53	410	192	265	290	140	580	
SS-332	SST-332						3						200-480	45	410	192	265	290	140
SS-532	SST-532	5	3.7			3	200-480	4	1.06	32	3.5 ² x10	49	410	192	265	290	140	500	
SS-732	SST-732	7 1/2	5.5			3	200-480	4	1.38	26	5.5 ² x10	77	435	210	280	300	150	615	
SS-1032	SST-1032	10	7.5			3	200-480	4	1.50	26	5.5 ² x10	88	435	210	280	300	150	615	
SS-1532	SST-1532	15	11			3	200-480	4	2.20	30	8 ² x10	120	460	218	306	350	193	692	
SSA	STA	SSA/STA : Automatic Type				SSA (With Ceramic Carbon Seal)				STA(With Silicon carbide Seal)									
SSA-0511N		1/2	0.4			1	110	2	0.20	14	1.25 ² x6	11.18	230	102	180	110	85	390	320
SSA-0512N							220												
SSA-111N	STA-111N	1	0.75			1	110	2	0.52	25	2 ² x6	22	290	135	225	130	115	470	590
SSA-112N	STA-112N						220												
SSA-111LN	STA-111LN	1	0.75			1	110	3	0.60	25	2 ² x6	24	320	150	225	130	117	470	590
SSA-112LN	STA-112LN						220												

DIMENSIONS (IN):

TYPE	SIZE						
	A	B	C	D	E	F	G
	mm	mm	mm	mm	mm	mm	mm
SS	9,2	4,08	7,2	6,6	3,4	14	
SS-0511N	11,6	5,4	9	8,2	4,6	18,8	
SS-0512N	12,8	6	9	9,6	4,68	18,8	
SS-0532N	14,2	6,6	10,6	10,4	5,6	22	
SS-111N	14,2	6,6	10,6	10,4	5,6	17,8	
SS-112N	16,4	7,68	10,6	11,6	5,6	23,2	
SS-132N	16,4	7,68	10,6	11,6	5,6	19,2	
SS-111LN	16,4	7,68	10,6	11,6	5,6	20	
SS-112LN	17,4	8,4	11,2	12	6	24,6	
SS-132LN	17,4	8,4	11,2	12	6	24,6	
SS-212N	18,4	8,72	12,24	14	7,72	27,68	
SS-232N							
SS-312							
SS-332							
SS-532							
SS-732							
SS-1032							
SS-1532							
SSA							
SSA-0511N	9,2	4,08	7,2	4,4	3,4	15,6	12,8
SSA-0512N	11,6	5,4	9	5,2	4,6	18,8	23,6
SSA-111N	11,6	5,4	9	5,2	4,6	18,8	23,6
SSA-112N	12,8	6	9	5,2	4,68	18,8	23,6
SSA-111LN							
SSA-112LN							

Go to www.flofab.com in Our Products Section to see the Master Spec - <http://www.arcomnet.com/masterspec/>



VORTEX PUMPS

SSM / SMA Series

Submersible Vortex Pump

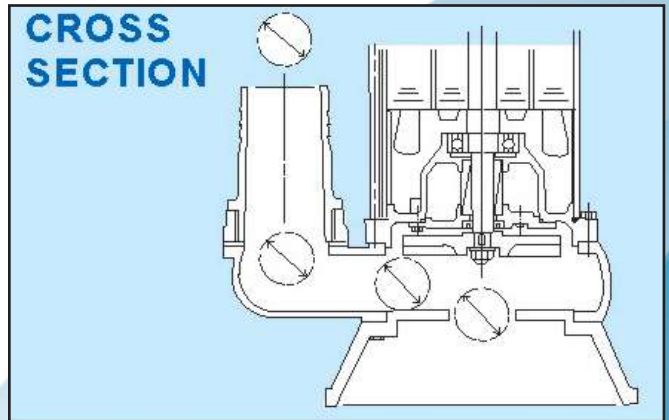
FEATURES:

The specially designed non-clog impeller will create vortex inside the pump casing. The impeller without projector will be especially suitable for transportation of drainage containing belt-shaped piece goods and fiber materials.

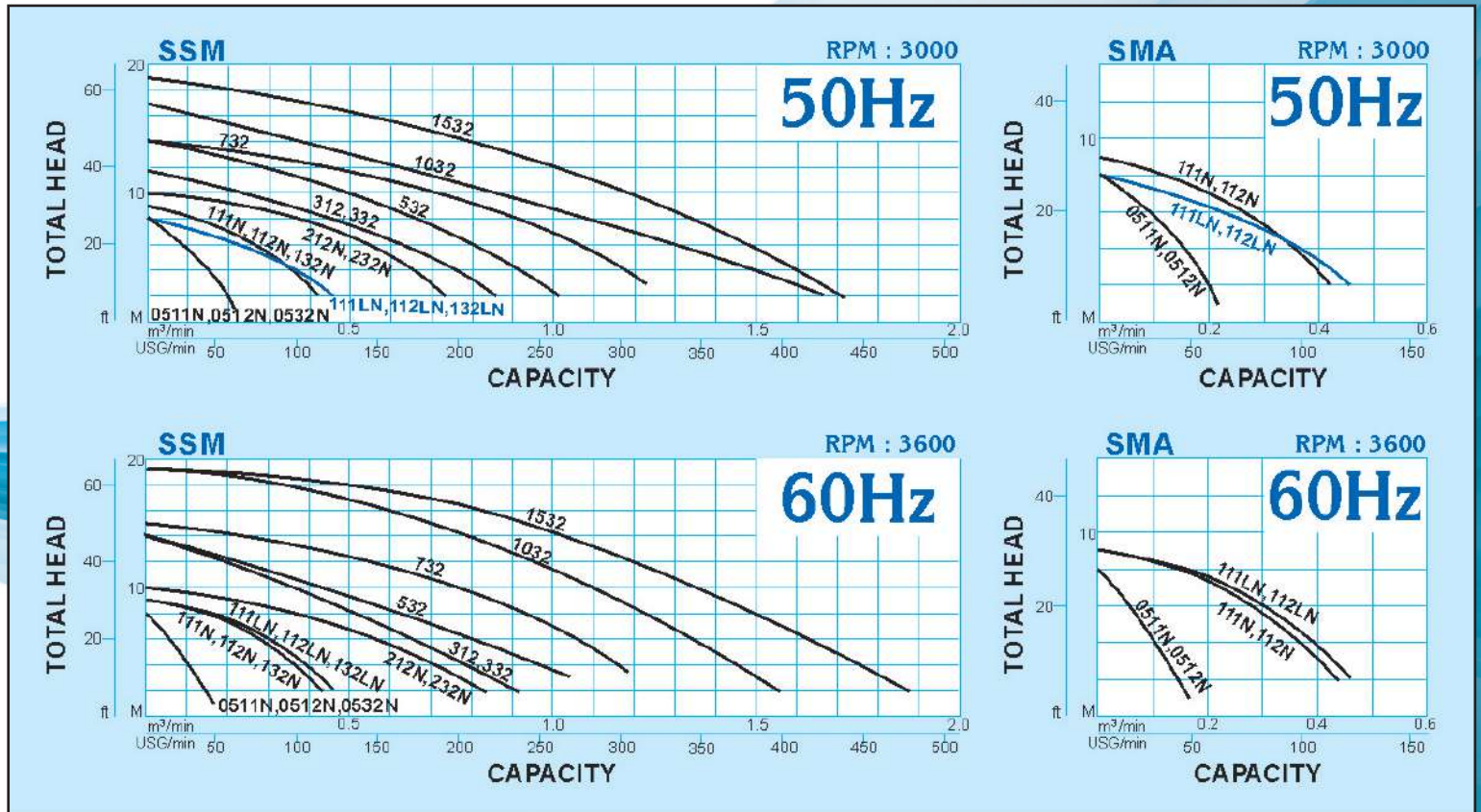
APPLICATIONS:

Drainage of the sewerage/waste water from following industries.

1. Confined livestock feeding industry.
2. Food sluff processing factory.
3. Pulp and paper industry.
4. Other relative industrial factories.



PERFORMANCE CURVES:





SEWAGE VORTEX PUMPS

SSM/SMA Series Vortex Sewage Pump

SPECIFICATIONS:

DIMENSIONS (MM):

TYPE		MOTOR				Disch. Diam.	Solid Passage	Cable	Weight	SIZE										
		Power		Amp.						Phase	Volt	A	B	C	D	E	F	G		
√	√	HP	KW	Start	Run	PH	V	in	mm	mm	mm ² xM	KG	mm	mm	mm	mm	mm	mm	mm	
	SSM																			
	SMA																			
		SS/SST : Manual Type SS (With Ceramic Carbon Seal) SST(With Silicon carbide Seal)																		
	SSM-0511N					1	110	2	50	4	1.25 ² x6	11	230	102	180	165	85	350	320	
	SSM-0512N	1/2	0.4			1	220													
	SSM-0532N					3	200-480													
	SSM-111N					1	110	2	50	13	2 ² x6	22	290	135	225	205	115	470	590	
	SSM-112N	1	0.75			1	220													
	SSM-132N					3	200-480													
	SSM-111LN					1	110	3	80	13	2 ² x6	24	320	150	225	240	117	470	590	
	SSM-112LN	1	0.75			1	220													
	SSM-132LN					3	200-480													
	SSM-212N					1	200-480	3	80	15	3.5 ² x10	36	355	165	265	260	140	550		
	SSM-232N	2	1.5			3	200-480					30	355	165	265	260	140	445		
	SSM-312					1	200-480	4	100	24	3.5 ² x10	53	410	192	265	290	140	580		
	SSM332	3	2.2			3	200-480					45	410	192	265	290	140	480		
	SSM-532	5	3.7			3	200-480	4	100	28	3.5 ² x10	49	410	192	265	290	140	500		
	SSM-732	7 1/2	5.5			3	200-480	4	100	22	5.5 ² x10	77	435	210	280	300	150	615		
	SSM-1032	10	7.5			3	200-480	4	100	19	5.5 ² x10	88	435	210	280	300	150	615		
	SSM-1532	15	11			3	200-480	4	100	22	8 ² x10	120	460	218	306	350	193	692		

DIMENSIONS (IN):

TYPE		SIZE						
		A	B	C	D	E	F	G
		mm	mm	mm	mm	mm	mm	mm
SSM	SMA							
SSM-0511N	SMA-0511N							
SSM-0512N	SMA-0512N	9,2	4,08	7,2	6,6	3,4	14	12,8
SSM-0532N								
SSM-111N	SMA-111N							
SSM-112N	SMA-112N	11,6	5,4	9	8,2	4,6	18,8	23,6
SSM-132N								
SSM-111LN	SMA-111LN							
SSM-112LN	SMA-112LN	12,8	6	9	9,6	4,68	18,8	
SSM-132LN								
SSM-212N		14,2	6,6	10,6	10,4	5,6	22	
SSM-232N		14,2	6,6	10,6	10,4	5,6	17,8	
SSM-312		16,4	7,68	10,6	11,6	5,6	23,2	
SSM332		16,4	7,68	10,6	11,6	5,6	19,2	
SSM-532		16,4	7,68	10,6	11,6	5,6	20	
SSM-732		17,4	8,4	11,2	12	6	24,6	
SSM-1032		17,4	8,4	11,2	12	6	24,6	
SSM-1532		18,4	8,72	12,24	14	7,72	27,68	



SEWAGE VORTEX PUMPS

SSM-V / SMA-V Series

Vortex Sewage Pump

Vortex Impeller and Wide Pump Casing Interior eliminates the Possible Clogging and Entanglement of Solids and Fibrous Matter.

FEATURES:

EPOXY Cable Sealing Base

(EPOXY) Waterproof cable prevent water infiltration, cable ends sealed with epoxy resin, and lead wires are partially tripped off for perfect resin sealing. Triple protection for the motor against water penetration.



Built-in Motor Protector

Every STO type are equipped with a self-reset circle thermal protector to prevent over-loading, locking of impeller, and scorch damage to the motor from phase failure.



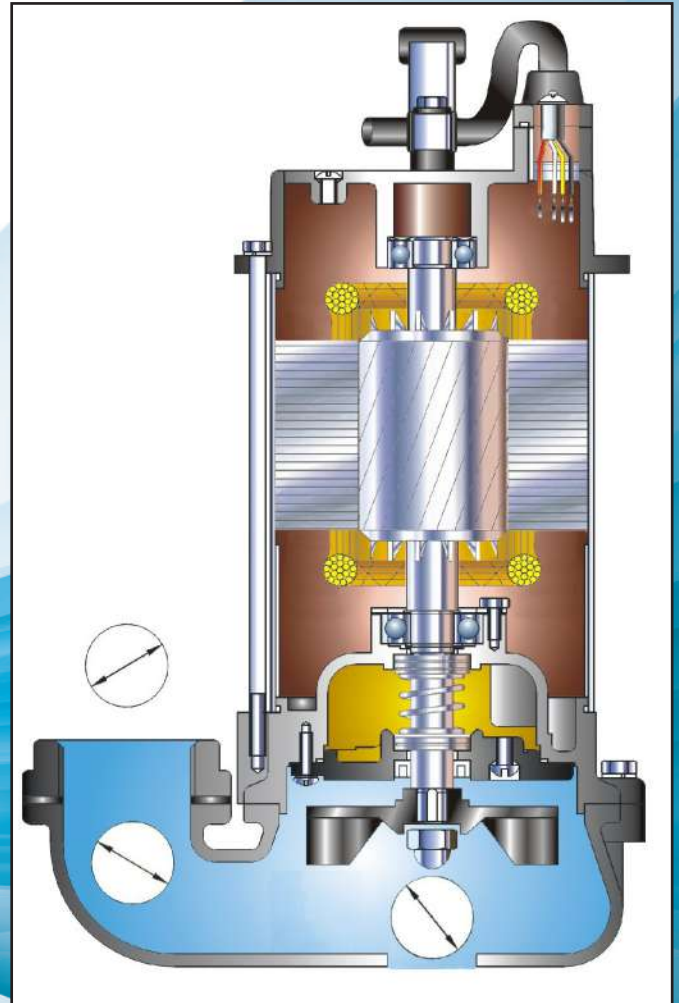
SiC Mechanical Seal

Equipped with double mechanical seals and adopted with heat-and-corrosion resistant silicon carbide mechanical seal for preventing the motor from water infiltration.



SiC Mechanical Seal

The specially designed non-clog impeller will create a high speed whirlpool inside the pump casing. The impeller with projection will be especially suitable for transportation of sewage containing belt-shaped piece goods, fibrous and stinky material.





SEWAGE VORTEX PUMPS

SSM-V / SMA-V Series

Vortex Sewage Pump

SPECIFICATIONS OF TOS-SSM:

TYPE	Discharge Bore	Weight
TOS-50-SSM	2" (50 mm)	20 kG (44,09 LBS)
TOS-80-SSM	3" (80 mm)	34 kG (74,96 LBS)

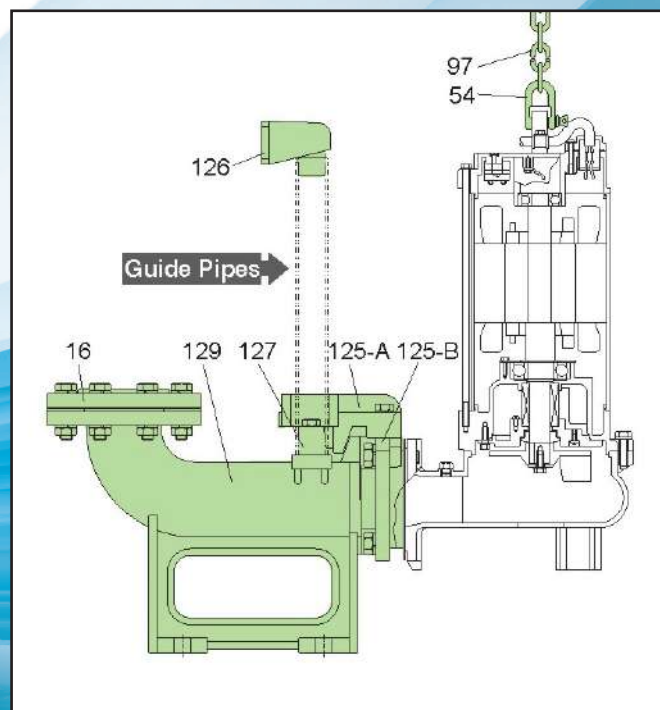
STANDARD ACCESSORIES OF GUIDE RAIL KIT:

Part NO.	Description	Material
16	Flange Setter	Cast iron
54	Shackle	SUS304
97	Lifting chain	SUS304
125	Guide Connector	Cast iron
126	Upper Guide Support	Cast iron
129	Duck Foot Bend	Cast iron

*The guide pipes are not included in the kit.

TOS-SSM Type Guide Rail Kit (Optional, 11)

Customer can order the TOS type «Guide Rail Kit» to perform connection/disconnection between a pump and piping only by lifting the pump down/up along guide pipes, so the maintenance and inspection can be done without entering a pit.



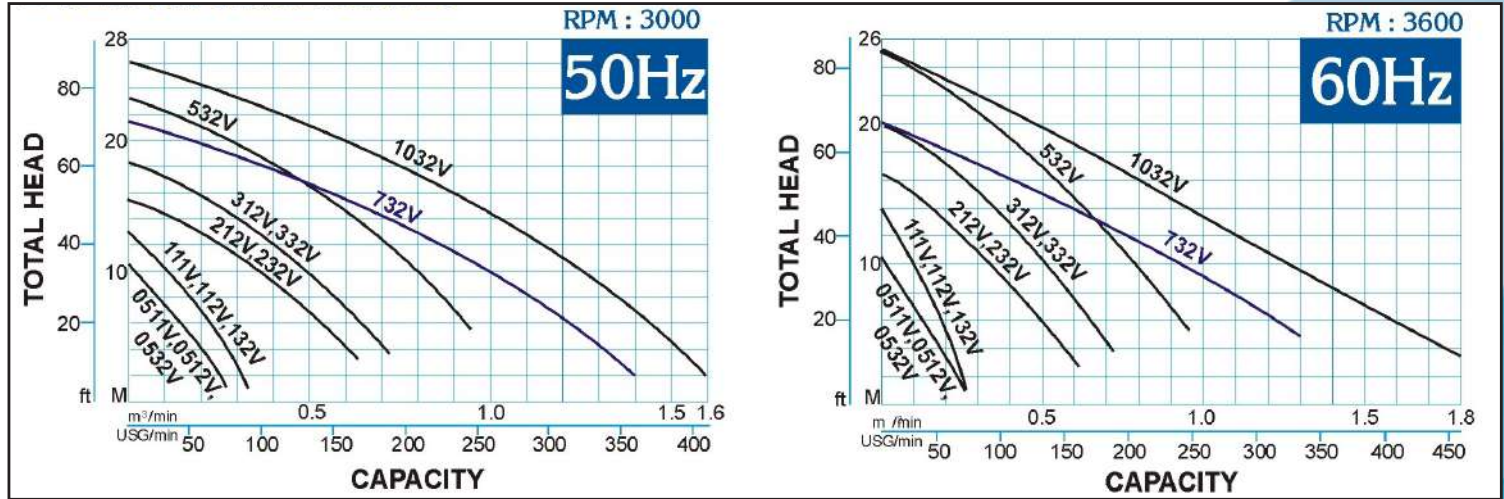


SEWAGE VORTEX PUMPS

SSM-V / SMA-V Series

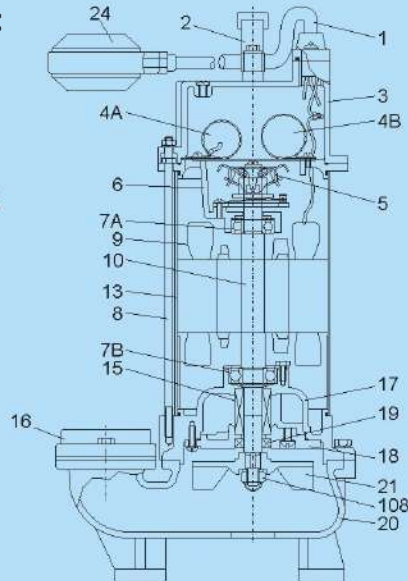
Vortex Sewage Pump

PERFORMANCE CURVES:

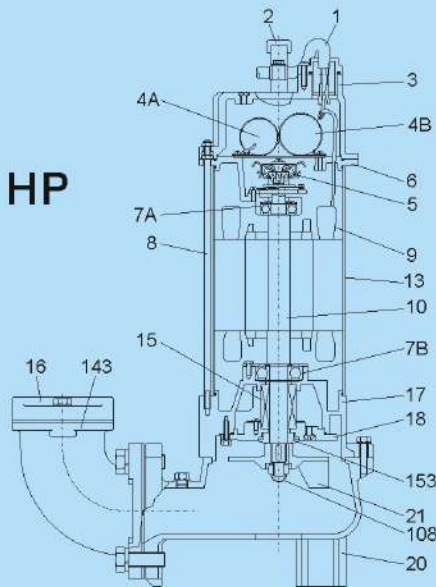


CONSTRUCTIONS:

**SSM-V
SMA-V
1/2 HP, 1HP**



**SSM-V
2 HP ~ 10 HP**



NO.	PARTS LIST	MATERIAL
1	Cable	V.C.T.
2	Handle	Stainless Steel
3	Motor Head Cover	Cast Iron
4A	Capacitor (starting)	for SSM/SMA-111V only
4B	Capacitor (running)	1φ only
5	Centrifugal Switch	for SSM/SMA-111V only
6	Upper Bracket	Cast Iron
7A	Bearing	
7B	Bearing	
8	Bolt	Stainless Steel
9	Coil	
10	Shaft	S45C
13	Motor Casing	Stainless Steel
15	Mechanical Seal	Silicon Carbide
16	Flange Setter	Cast Iron
17	Motor Lower Cover	Cast Iron
18	Mechanical Seal Cover	Plastic
19	Oil Seal	
20	Pump Casing	Cast Iron
21	Impeller	Cast Iron
24	Floating Switch	for SMA-V only
108	Nut	Stainless Steel

NO.	PARTS LIST	MATERIAL
1	Cable	V.C.T.
2	Handle	Stainless Steel
3	Motor Head Cover	Cast Iron
4A	Capacitor	1φ only
4B	Capacitor	1φ only
5	Centrifugal Switch	1φ only
6	Upper Bracket	Cast Iron
7A	Bearing	
7B	Bearing	
8	Bolt	Stainless Steel
9	Coil	
10	Shaft	S45C
13	Motor Casing	Stainless Steel
15	Mechanical Seal	Silicon Carbide
16	Flange Setter	Cast Iron
17	Motor Lower Cover	Cast Iron
18	Mechanical Seal Cover	Cast Iron
20	Pump Casing	Cast Iron
21	Impeller	Cast Iron
108	Nut	Steel
143	Elbow	Cast Iron
153	Sand Proof Trap	Synthetic Rubber

Go to www.flofab.com in Our Products Section to see the Master Spec - <http://www.arcomnet.com/masterspec/>



SEWAGE VORTEX PUMPS

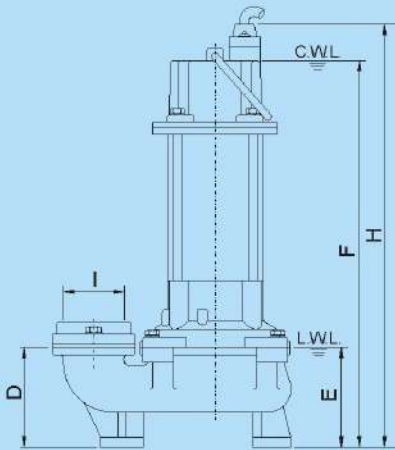
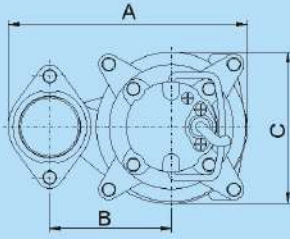
SSM-V / SMA-V Series

Vortex Sewage Pump

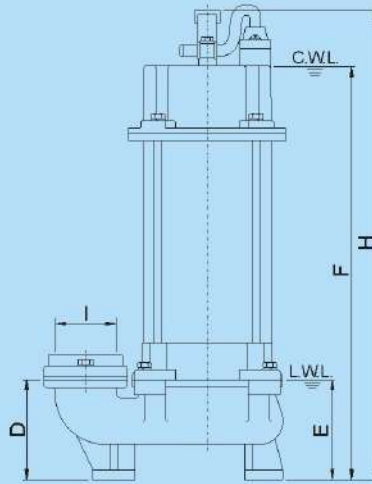
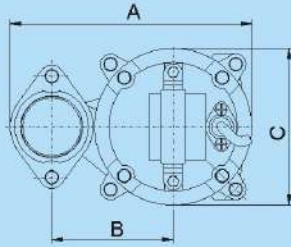
DIMENSIONS:

C.W.L. : Continuous Running Water Level
L.W.L. : Lowest Running Water Level

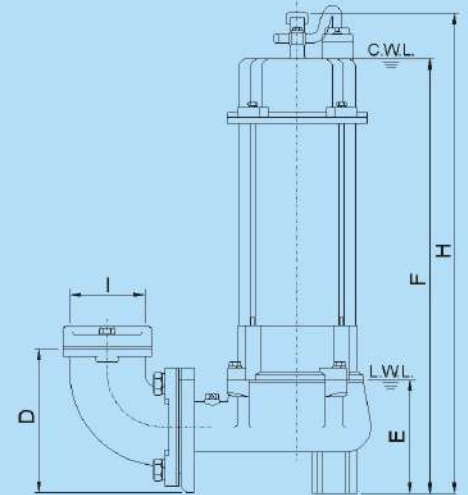
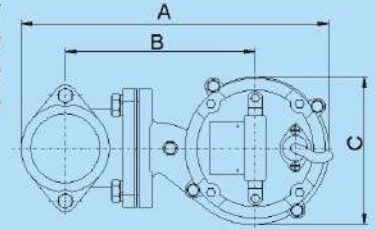
SSM-0511V
SSM-0512V
SSM-0532V



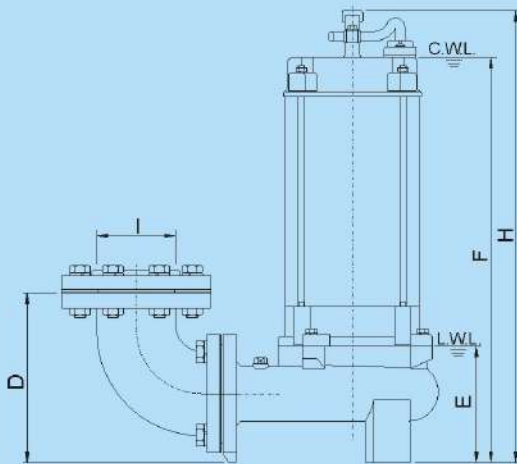
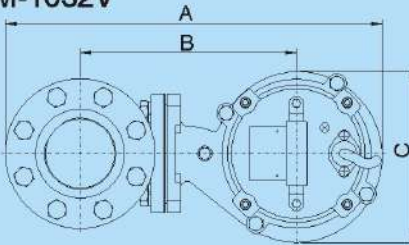
SSM-111V
SSM-112V
SSM-132V



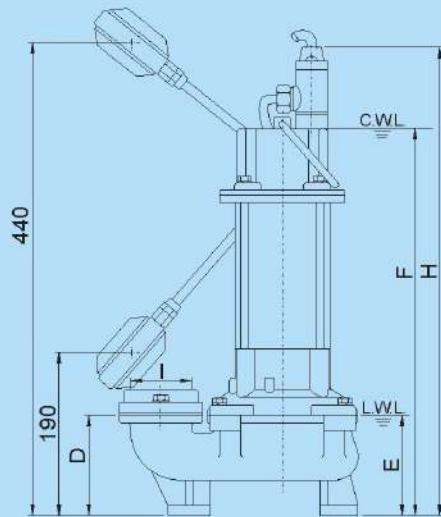
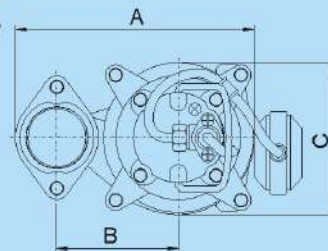
SSM-212V
SSM-232V
SSM-312V
SSM-332V



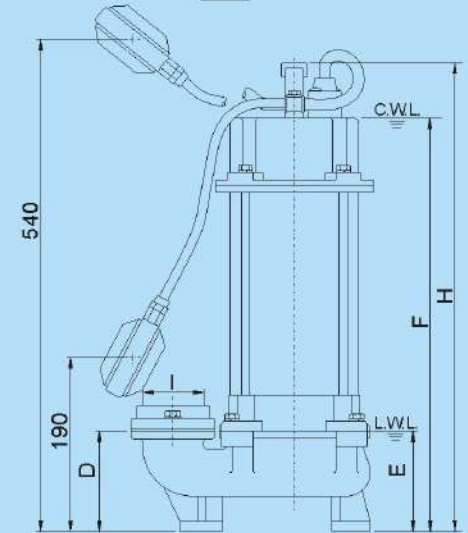
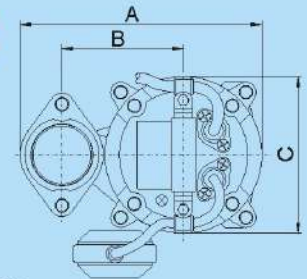
SSM-532V
SSM-732V
SSM-1032V



SMA-0511V
SMA-0512V



SMA-111V
SMA-112V



Go to www.flofab.com in Our Products Section to see the Master Spec - <http://www.arcomnet.com/masterspec/>



SEWAGE VORTEX PUMPS

SSM-V / SMA-V / TOS Series Vortex Sewage Pump

DIMENSIONS:

TYPE	A		B		C		D		E		F		H		I	
	MM	IN	MM	IN	MM	IN	MM	IN	MM	IN	MM	IN	MM	IN	MM	IN
SSM-0511V	236	9,44	120	4,8	150	6	99	3,96	99	3,96	382	15,28	420	16,8	50	2
SSM-0512V	236	9,44	120	4,8	150	6	99	3,96	99	3,96	382	15,28	420	16,8	50	2
SSM-0532V	236	9,44	120	4,8	150	6	99	3,96	99	3,96	382	15,28	420	16,8	50	2
SSM-111V	240	9,6	120	4,8	155	6,2	99	3,96	99	3,96	409	16,36	465	18,6	50	2
SSM-112V	240	9,6	120	4,8	155	6,2	99	3,96	99	3,96	409	16,36	465	18,6	50	2
SSM-132V	240	9,6	120	4,8	155	6,2	99	3,96	99	3,96	409	16,36	465	18,6	50	2
SSM-212V	380	15,2	235	9,4	182	7,28	177	7,08	140	5,6	537	21,48	593	23,72	80	3,2
SSM-232V	380	15,2	235	9,4	182	7,28	177	7,08	140	5,6	456	18,24	512	20,48	80	3,2
SSM-312V	380	15,2	235	9,4	182	7,28	177	7,08	140	5,6	547	21,88	603	24,12	80	3,2
SSM-332V	380	15,2	235	9,4	182	7,28	177	7,08	140	5,6	476	21,88	532	21,28	80	3,2

TYPE	A		B		C		D		E		F		H		I	
	MM	IN	MM	IN	MM	IN	MM	IN	MM	IN	MM	IN	MM	IN	MM	IN
SSM-532V	466	18,64	267	10,68	212	8,48	209	8,36	143	5,72	501	20,04	560	22,4	80	3,2
SSM-732V	500	20	275	11	270	10,8	254	10,16	170	6,8	562	22,48	700	28	80	3,2
SSM-1032V	500	20	275	11	270	10,8	254	10,16	170	6,8	562	22,48	700	28	80	3,2
SMA-0511V	236	9,44	120	4,8	150	6	99	3,96	99	3,96	382	15,28	463	18,52	50	2
SMA-0512V	236	9,44	120	4,8	150	6	99	3,96	99	3,96	382	15,28	463	18,52	50	2
SMA-111V	240	9,6	120	4,8	155	6,2	99	3,96	99	3,96	409	16,36	463	18,52	50	2
SMA-112V	240	9,6	120	4,8	155	6,2	99	3,96	99	3,96	409	16,36	463	18,52	50	2



SEWAGE VORTEX PUMPS

SSM-V / SMA-V / TOS Series

Vortex Sewage Pump

SPECIFICATIONS:

TYPE				MOTOR				Disch. Diam.		Solid Passage	Cable	Weight					
				Power		Phase	Volt										
✓		✓		HP	KW	PH	V	in	mm	mm	mm ² xM	KG	LBS				
	SSM-V		SMA-V				TOS-SSM	SSM-V ; Manual Type				SMA-V ; Automatic Type		TOS-SSM ;			
	SSM-0511V		SMA-0511V				TOS-50-SSM	Guide Rail kit									
	SSM-0512V		SMA-0512V				TOS-50-SSM	1/2	0.4	1	1 110	2"	50	35	1.25mm ² x 6	16.5	36,38
	SSM-0532V					TOS-50-SSM	220				1.25mm ² x 6						
	SSM-111V		SMA-111V			TOS-50-SSM	3 200-480				1.25mm ² x 6						
	SSM-112V		SMA-112V				TOS-50-SSM	1	0.75	1	1 110	2"	50	35	2.00mm ² x 6	20	44,09
	SSM-132V					TOS-50-SSM	220				2.00mm ² x 6						
	SSM-212V					TOS-80-SSM	3 200-480				1.25mm ² x 6						
	SSM-232V						TOS-80-SSM	2	1.5	1	200-480	3"	80	50	3.5mm ² x 10	42	92,59
	SSM-312V					TOS-80-SSM	3 200-480				2.00mm ² x10						
	SSM-332V						TOS-80-SSM	3	2.2	1	200-480	3"	80	50	3.5mm ² x 10	44	97,00
	SSM-532V					TOS-80-SSM	3 200-480				2.0mm ² x 10						
	SSM-732V						TOS-80-SSM	5	3.7	3	200-480	3"	80	50	2.0mm ² x 10	55	121,25
	SSM-1032V					TOS-80-SSM	3 200-480				5.5mm ² x 10						
							TOS-80-SSM	10	7.5	3	200-480	3"	80	76	5.5mm ² x 10	76	167,55

AMPS :

TYPE	60Hz/1Ph		60Hz/3Ph			
	110V	220V	208V	230V	460V	575V
	Amp	Amp	Amp	Amp	Amp	Amp
SSM-0511V	8					
SSM-0512V		4				
SSM-112V		7				
SSM-132V			3.7	3.5	2	1.3
SSM-212V		14				
SSM-232V			6.3	5.8	2.9	2.3
SSM-312V		21				
SSM-332V			9.5	8.3	4.1	3.4
SSM-532V			15.9	13.8	7	5.7
SMA-0511V	8					
SMA-0512V		4				
SMA-112V		7				



DEWATERING PUMPS

KL Series Submersible Large Volume Dewatering Pump

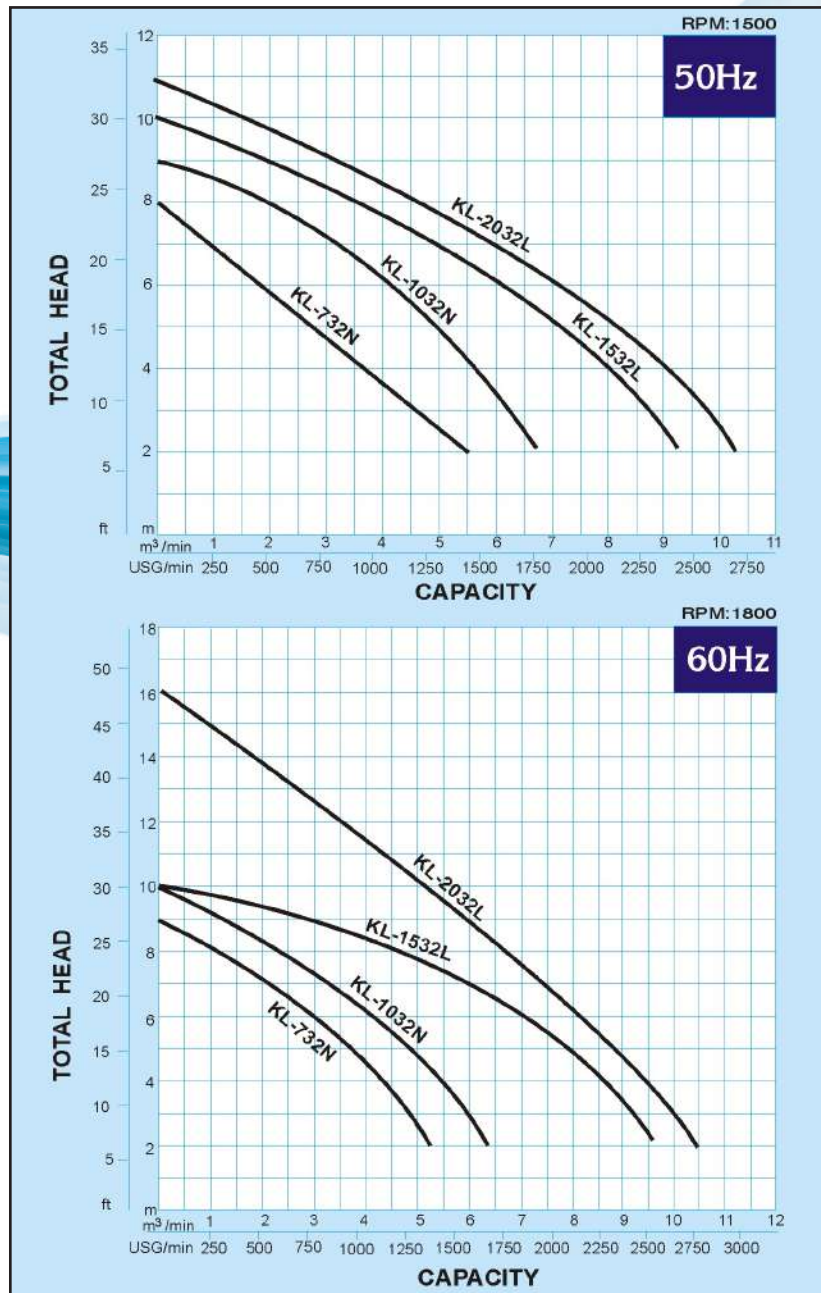
FEATURES:

1. Turbo Jet-Like impeller designed to improve extra-output water volume.
2. Easy operating, no need of equipped devices, result in this less-maintenance, noise and vibration free pump.
3. Rigid body, by using the special fined bronze and stainless steel, this will rise the pump the ability of water deliverling life.

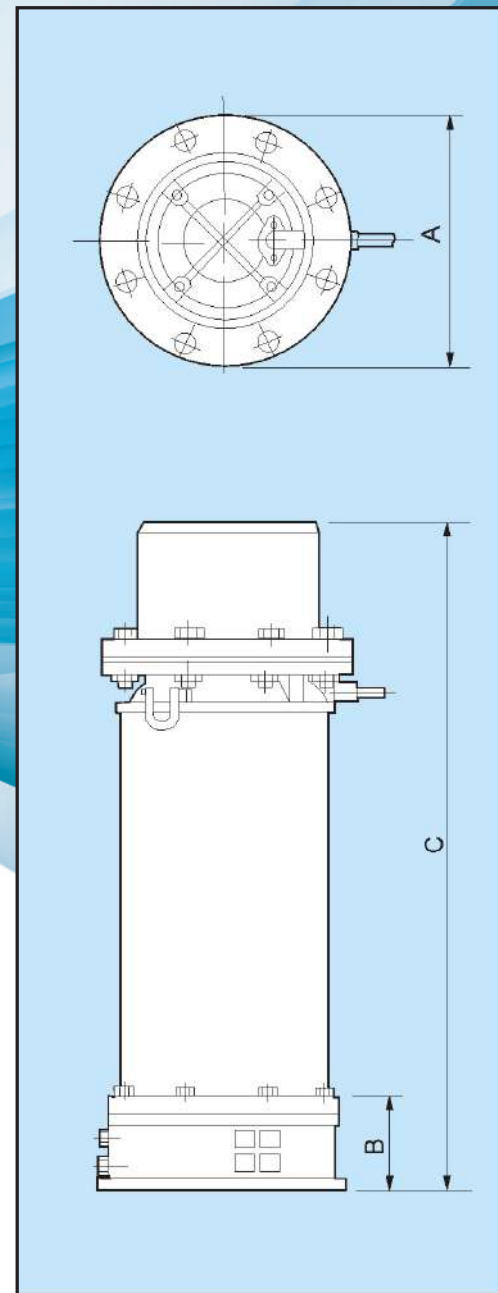
APPLICATIONS:

1. It is applicable to agricultural, industrial use, as well as in accumulated water and large volume water pumping.
2. Widely used in aquaculture farm.
3. Extraction of water from the ponds, rivers and lakes.
4. Flood control and drainage system for industry
5. Water supply for fountains and water features.
6. Water discharge work for ships

PERFORMANCE CURVE:



DIMENSIONS:



Go to www.flofab.com in Our Products Section to see the Master Spec - <http://www.arcomnet.com/masterspec/>



DEWATERING PUMPS

KS Series Submersible Dewatering Pump

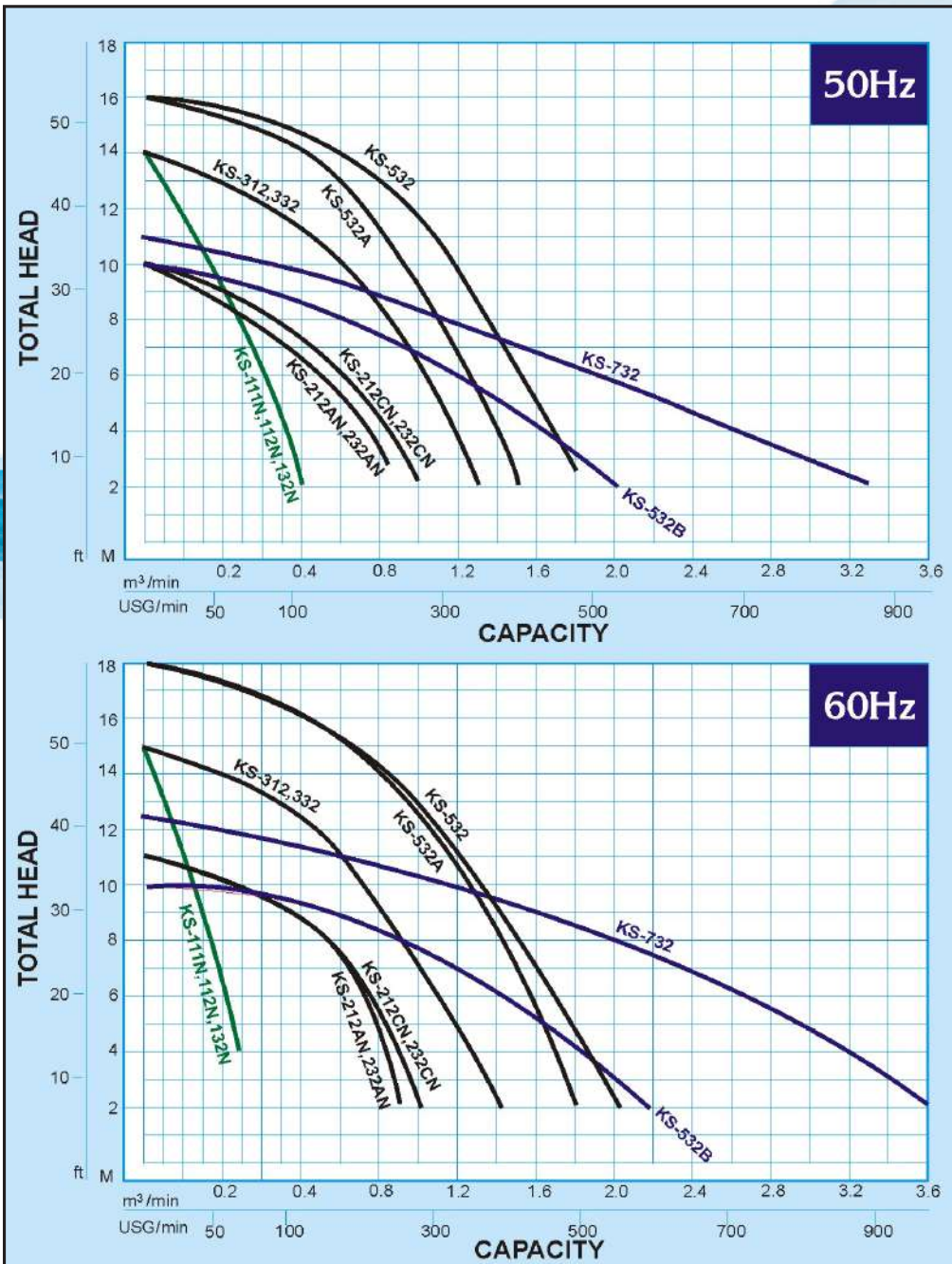
FEATURES:

1. Compact size, lightweight and easy operation. Specially top outlet design with easy connection, suitable for different types of dewatering work..
2. Since the motor cooled by water, and maintains in safety temperature when motor works; this will enlong the motor's life.
3. Specially designed impeller curvature to obtain larger output water volume.

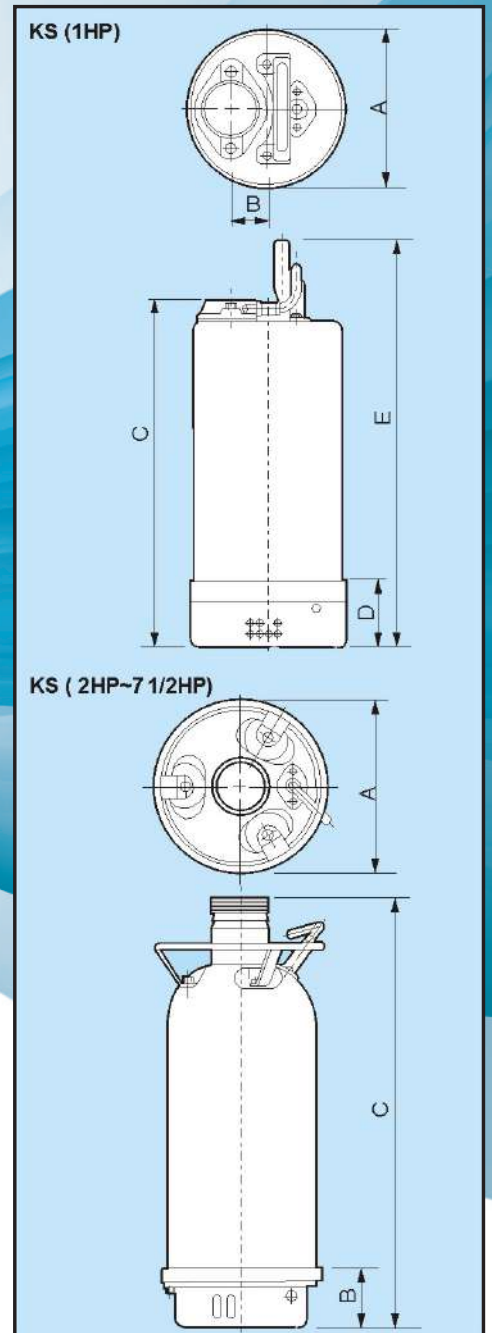
APPLICATIONS:

1. Basement drainage
2. Drainage system for industry
3. Agricultural and horticultural irrigation.
4. Water supply for fountains and water features.
5. Water discharge work for ships
6. Any kind of accumulated water and water discharge

PERFORMANCE CURVES:



DIMENSIONS:



Go to www.flofab.com in Our Products Section to see the Master Spec - <http://www.arcomnet.com/masterspec/>



DEWATERING PUMPS

KL Series / KS Series Submersible (Large Volume) Dewatering Pump

SPECIFICATIONS:

DIMENSIONS: (MM):

✓	TYPE	MOTOR						Disch. Diam.		Solid Passage	Cable	Weight		SIZE						
		Power		Amp.		Phase	Volt							Poles	A		B		C	
		KW	HP	Start	Run	PH	V	P	in	mm	mm	mm ² xM	KG	LBS	mm	in	mm	in	mm	in
	KL-732N	5.5	7 1/2			3	220-440	4	8"	200	31 x22	5.5 ² x10	118	260,15	376	15,04	200	8	915	36,6
	KL-1032N	7.5	10			3	220-440	4	10"	250	31 x22	5.5 ² x10	165	363,76	422	16,88	200	8	1035	41,4
	KL-1532L	11	15			3	220-440	4	12"	300	31 x22	8 ² X 10	191	421,08	422	16,88	200	8	1065	42,6
	KL-2032L	15	20			3	220-440	4	12"	300	31 x22	8 ² X 10	195	429,90	422	16,88	200	8	1065	42,6

✓	TYPE	MOTOR						Disch. Diam.		Solid Passage	Cable	Weight		SIZE														
		Power		Amp.		Phase	Volt							Poles	A		B		C									
		KW	HP	Start	Run	PH	V	P	in	mm	mm	mm ² xM	KG	LBS	mm	in	mm	in	mm	in								
	KS-111N	0.75	1			1	110	2	2"	50	ø6	2 ² x 6	23	50,71	175	7	40	1,6	465	18,6								
	KS-112N					220	2																					
	KS-132 N					3	220-440	2																				
	KS-212AN	1.5	2			1	220	2	3"	80	34 x 10	3.5 ² x 10	41	90,39	228	9,12	80	3,2	615	24,6								
	KS-232AN					3	220-440	2																				
	KS-212CN					1	220	2	4"	100											41	90,39	228	9,12	80	3,2	610	24,4
	KS-232CN					3	220-440	2																				
	KS-312	2.2	3			3	220	2	4"	100	34 x 10	3.5 ² x 10	48	105,82	228	9,12	80	3,2	630	25,2								
	KS-332					3	220-440	2																				
	KS-532A	3.7	5			3	220-440	2	4"	100	34 x 10	3.5 ² x 10	49	108,03	232	9,28	100	4	560	22,4								
	KS-532					3	220-440	2	5"	125																		
	KS-532B					3	220-440	4	6"	150	50 x 11										85	187,39	272	10,88	125	5	825	33
	KS-732	5.5	7 1/2			3	220-440	4	6"	150	31 x 22	5.5 ² x 10	107	235,89	335	13,4	200	8	750	30								

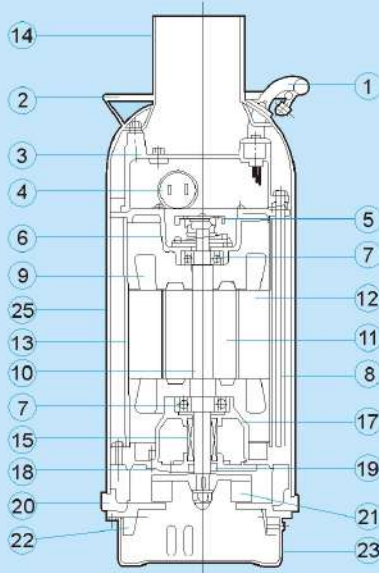


DEWATERING PUMPS

KL Series / KS Series Submersible (Large Volume) Dewatering Pump

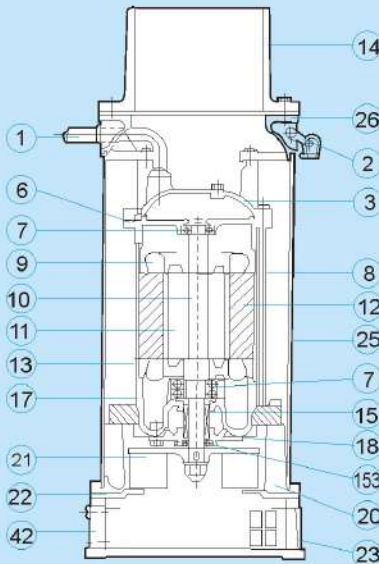
CONSTRUCTIONS:

KS



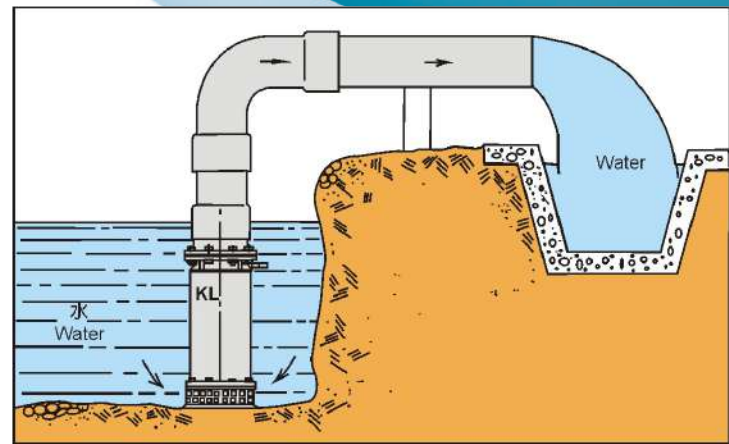
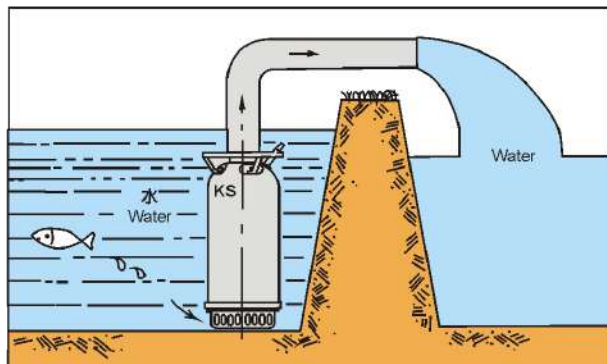
NO.	PARTS LIST	MATERIAL
1	Cable	V.C.T.
2	Handle	Stainless Steel
3	Motor Head Cover	Cast Iron
4	Condenser	1 ∅ only
5	Centrifugal Switch	1 ∅ only
6	Upper Bracket	Cast Iron
7	Upper Ball Bearing	
8	Bolt	Stainless Steel
9	Coil	
10	Shaft	Stainless Steel
11	Rotor	Steel Plate
12	Stator	Steel Plate
13	Motor Casing	Stainless Steel
14	Hose Coupling	Stainless Steel
15	Mechanical Seal	Ceramic-Carbon
17	Motor Lower Cover	Cast Iron
18	Mechanical Seal Cover	Cast Iron
19	Oil Seal	Synthetic Rubber
20	Pump Casing	Cast Iron
21	Impeller	Bronze
22	Suction Cover	Cast Iron (1HP & KS-532B)
23	Strainer	Stainless Steel
25	Outer Cover	Stainless Steel

KL



NO.	PARTS LIST	MATERIAL
1	Cable	V.C.T.
2	Handle	Stainless Steel
3	Motor Head Cover	Bronze
6	Upper Bracket	Bronze (15&20HP)
7	Upper Ball Bearing	
8	Bolt	Stainless Steel
9	Coil	
10	Shaft	Stainless Steel
11	Rotor	Steel Plate
12	Stator	Steel Plate
13	Motor Casing	Stainless Steel
14	Hose Coupling	Cast Iron
15	Mechanical Seal	Ceramic-Carbon
17	Motor Lower Cover	Bronze
18	Mechanical Seal Cover	Cast Iron
20	Pump Casing	Cast Iron
21	Impeller	Bronze
22	Suction Cover	Bronze
23	Strainer	Stainless Steel
25	Outer Cover	Stainless Steel
26	Bracket of Outer Cover	Cast Iron
42	Strainer Stand	Cast Iron
153	Sand Proof Trap	Synthetic Rubber

APPLICATION EXAMPLES:



Go to www.flofab.com in Our Products Section to see the Master Spec - <http://www.arcomnet.com/masterspec/>



CONTRACTOR PUMPS

KT Series Submersible Contractor Pump

For Sand Mixed Water of Civil Construction
 Equipped with Silicon Carbide Mechanical Seal
 Impeller and Suction Cover are made of HCr

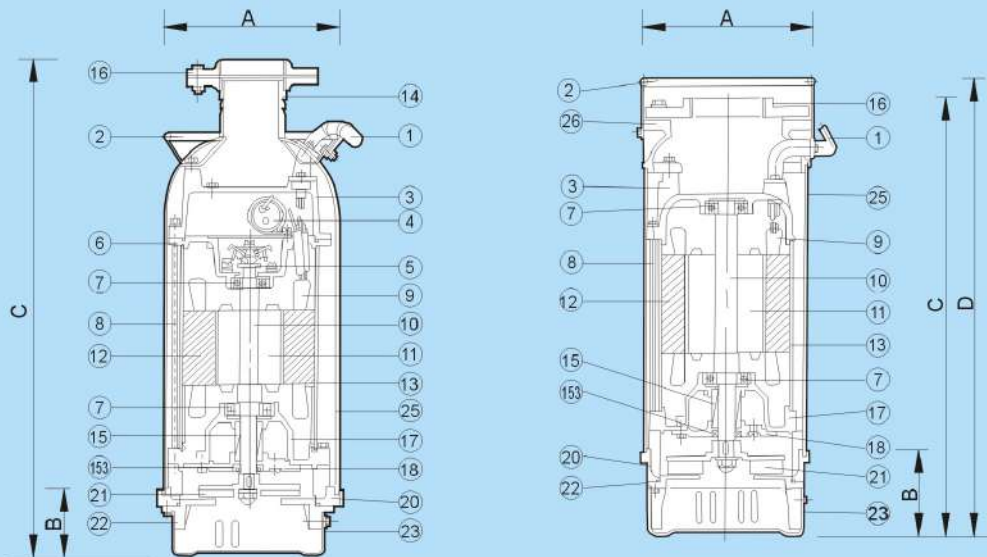
FEATURES:

1. 2-pole motor with high speed rotation achieves the extra high-head water carrying.
2. The impeller and its suction cover were made of the high chromium and specially treated, so as to enlong the workability.
3. The mechanical seal is of silicon carbide made ensures the super durability.

APPLICATIONS:

CONSTRUCTION - Excavation, sump, ditch, tunnel, any foundation work & storm water removal.
FACTORIES-Waste water removal, sump pit. manhole, basement, emergency water removal & industrial processing water.
BUILDINGS-Sump pit. plumbing, manhole, elevator pit. emergency & storm water removal.
UTILITIES-Excavation. sump, manhole, trench, sewage tunnel & storm water removal.
MINING-Pit.quarry, sump, excavation, tunnel & storm water removal.
HOME-Cellar. sump. pit. plumbing, fountain & swimming pool cleaning.
FARMING-Irrigation & fire protection.
MARINE-Bilge. fire fighting & wash-down

KT1032/1032H



NO.	PARTS LIST	MATERIAL
1	Cable	V.C.T.
2	Handle	Stainless Steel
3	Motor Head Cover	Cast Iron
4	Condenser	(1Ø only)
5	Centrifugal Switch	(1Ø only)
6	Upper Bracket	Cast Iron (1Ø only)
7	Upper Ball Bearing	
8	Bolt	Stainless Steel
9	Coil	
10	Shaft	S45C+ SUS304 SUS304 (5HP)
11	Rotor	Steel Plate
12	Stator	Steel Plate

NO.	PARTS LIST	MATERIAL
13	Motor Casing	Stainless Steel
14	Hose Coupling	Stainless Steel
15	Mechanical Seal	Silicon Carbide
16	Flange Setter	Cast Iron
17	Motor Lower Cover	Cast Iron
18	Mechanical Seal Cover	Cast Iron
20	Pump Casing	Cast Iron
21	Impeller	High Chromium
22	Suction Cover	High Chromium
23	Strainer	Stainless Steel
25	Outer Cover	Stainless Steel
26	Bracket of Outer Cover	Cast Iron (10HP)
153	Sand Proof Trap	Synthetic Rubber

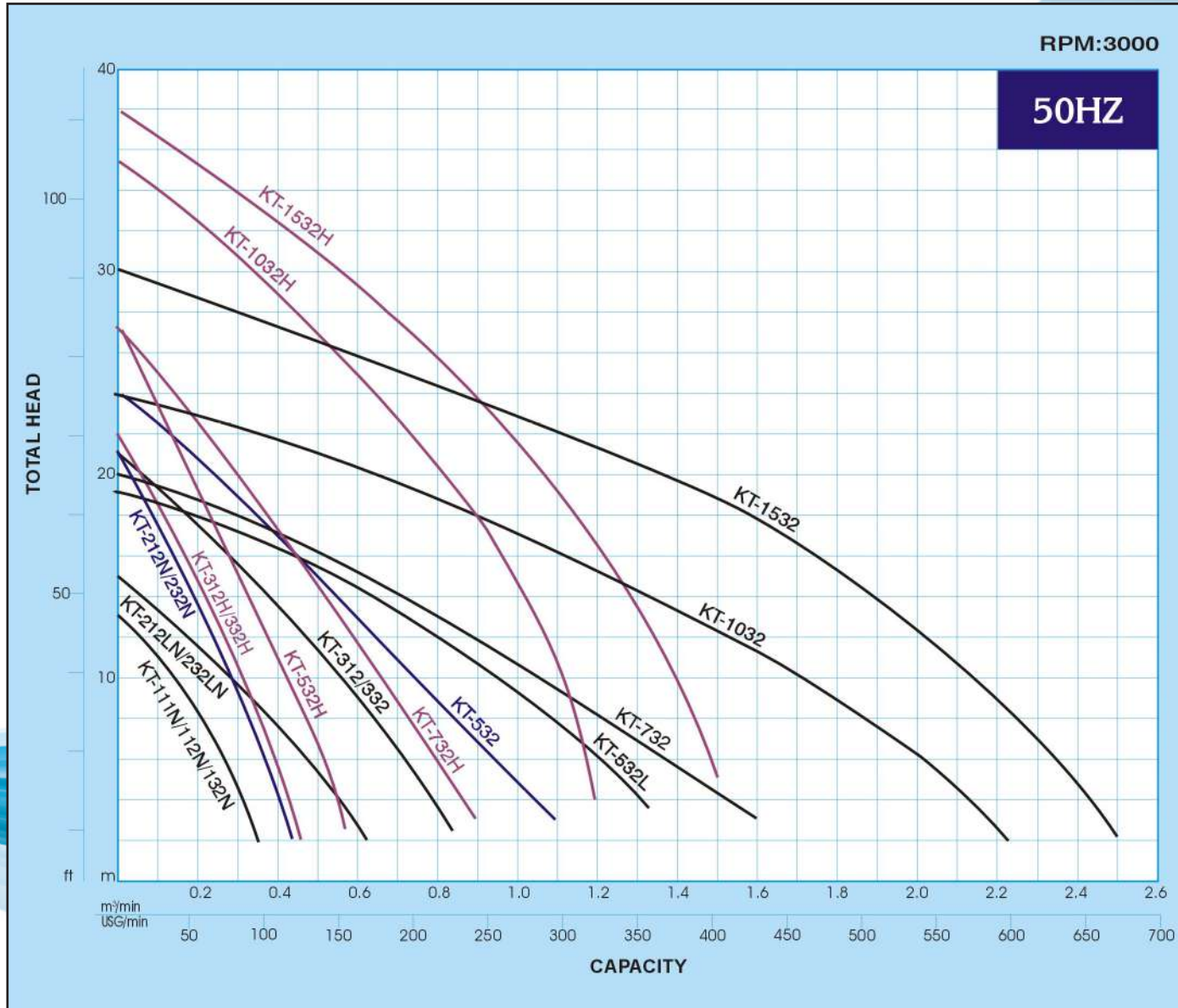
Go to www.flofab.com in Our Products Section to see the Master Spec - <http://www.arcomnet.com/masterspec/>



CONTRACTOR PUMPS

KT Series Submersible Contractor Pump

PERFORMANCE CURVES:





CONTRACTOR PUMPS

KT Series Submersible Contractor Pump

50 Hz SPECIFICATIONS:

DIMENSIONS:

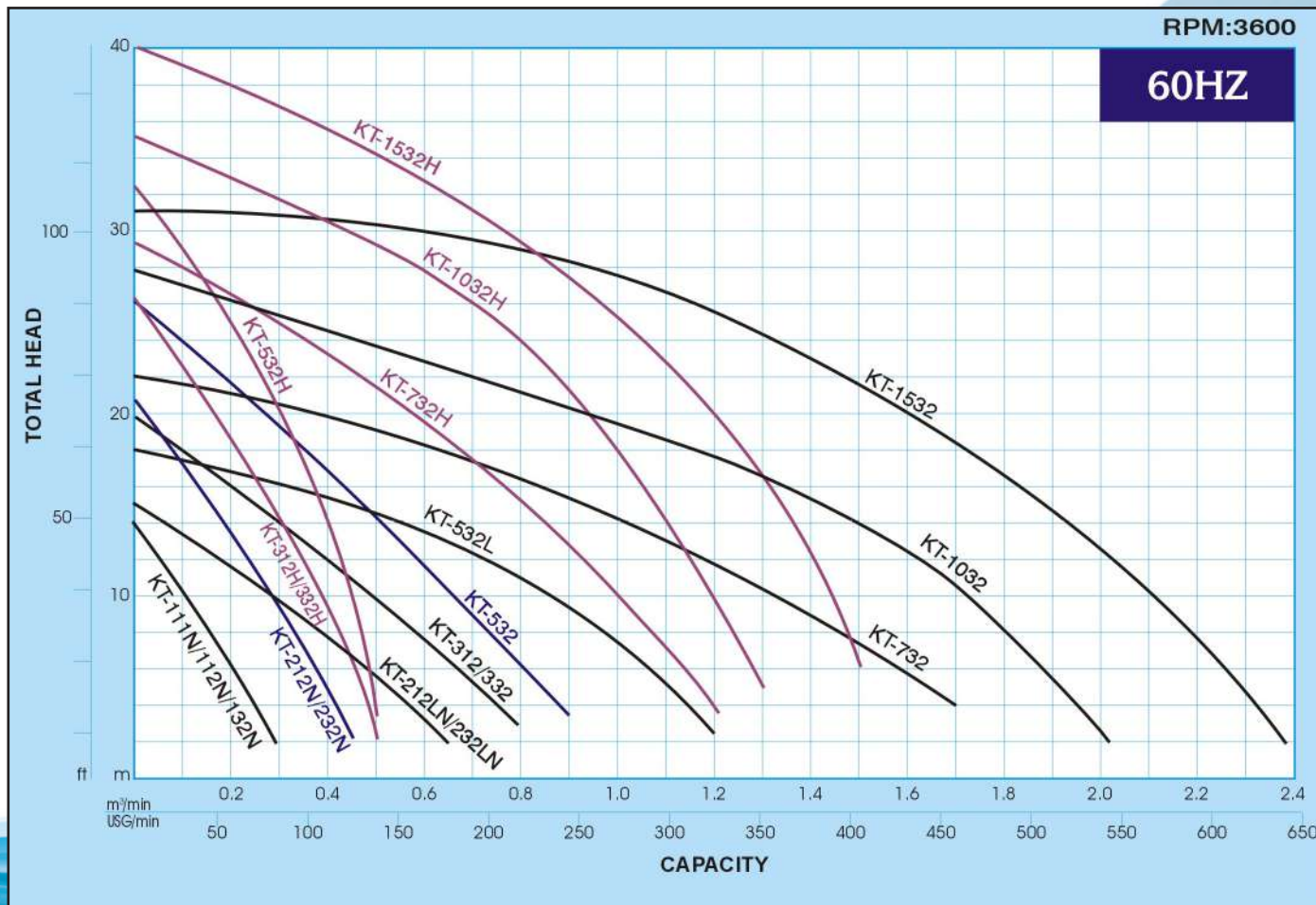
✓	TYPE	MOTOR				PUMP				Cable	Weight		SIZE														
		Power		Amp.		Phase	Volt	Disch. Diam.					Max head	Max-Flow	Solid Passage	A		B		C		D					
		KW	HP	Start	Run	PH	V	mm	in	M	M ³ /min	mm	mm ² xM	KG	LBS	mm	in	mm	in	mm	in	mm	in				
	KT-111N	0.75	1			1	110	50	2»	13	0.3	ø6	2²x6	24	52,91	210	8,4	70	2,8	490	19,6						
	KT-112N				220																						
	KT-132N				220-440	3																					
	KT-212N	1.5	2			3	220	50	2»	21	0.45	34 x 10	3.5²x10	41	90,39	228	9,12	80	3,2	650	26						
	KT-232N				220-440	1																					
	KT-212LN				220	3		80	3»	15	0.65											41	90,39	37	81,57	650	26
	KT-232LN				220-440	1																					
	KT-312H	2.2	3			3	220	50	2»	22	0.4	34 x 10	3.5²x10	52	114,64	228	9,12	80	3,2	670	26,8						
	KT-332H				220-440	1																					
	KT-312				220	3		80	3»	20	0.8											52	114,64	47	103,62	670	26,8
	KT-332				220-440	1																					
	KT-532H	3.7	5			3	220-440	50	2"	27	0.55	34 x 10	3.5²x10	49	108,03	232	9,28	100	4	605	24,2						
	KT-532							80	3"	24	1.1																
	KT-532L							100	4"	19	1.35																
	KT-732H	5.5	7 1/2			3	220-440	80	3"	27	0.9	50 x 11	5.5²x10	77	169,76	272	10,88	125	5	720	28,8						
	KT-732							100	4"	20	1.6																
	KT-1032H	7.5	10			3	220-440	100	4"	35	1.2	50 x 11	5.5²x10	91	200,62	272	10,88	125	5	665	26,6	700	28				
	KT-1032							150	6"	24	2.3																
	KT-1532H	11	15			3	220-440	100	4"	38	1.5	31 x 22	8²x10	129	284,40	335	13,4	200	8	785	31,4						
	KT-1532							150	6"	30	2.5																



CONTRACTOR PUMPS

KT Series Submersible Contractor Pump

PERFORMANCE CURVES:





CONTRACTOR PUMPS

KT Series Submersible Contractor Pump

60 Hz SPECIFICATIONS:

DIMENSIONS:

✓	TYPE	MOTOR			PUMP					Cable		Weight		SIZE							
		Power		Phase	Volt	Disch. Diam.		Max head	Max-Flow	Solid Passage	mm ² xM	KG	LBS	A		B		C		D	
		KW	HP	PH	V	mm	in	M	M ³ /min	mm				mm	in	mm	in	mm	in	mm	in
	KT-111N	0.75	1	1	110	50	2»	14	0.3	ø6	2»x6	24	52,91	210	8,4	70	2,8	490	19,6		
	KT-112N				220																
	KT-132N				220-440															3	
	KT-212N	1.5	2	3	220	50	2»	21	0.45	34 x 10	3.5»x10	41	90,39	228	9,12	80	3,2	650	26		
	KT-232N			1	220-440														37	81,57	550
	KT-212LN			3	220	80	3»	15	0.65									41	90,39	650	26
	KT-232LN			1	220-440													37	81,57	550	22
	KT-312H	2.2	3	3	220	50	2»	26	0.5	34 x 10	3.5»x10	52	114,64	228	9,12	80	3,2	670	26,8		
	KT-332H			1	220-440														47	103,62	570
	KT-312			3	220	80	3»	20	0.8									52	114,64	670	26,8
	KT-332			1	220-440													47	103,62	570	22,8
	KT-532H	3.7	5	3	220-440	50	2"	32	0.5	34 x 10	3.5»x10	49	108,03	232	9,28	100	4	605	24,2		
	KT-532				80	3"	26	0.9													
	KT-532L				100	4"	18	1.2													
	KT-732H	5.5	7 1/2	3	220-440	80	3"	28	1.2	50 x 11	5.5»x10	77	169,76	272	10,88	125	5	720	28,8		
	KT-732				100	4"	22	1.7													
	KT-1032H	7.5	10	3	220-440	100	4"	35	1.3	50 x 11	5.5»x10	91	200,62	272	10,88	125	5	665	26,6	700	28
	KT-1032				150	6"	28	2.0													
	KT-1532H	11	15	3	220-440	100	4"	40	1.5	31 x 22	8»x10	129	284,40	335	13,4	200	8	785	31,4		
	KT-1532				150	6"	31	2.4													

AMPS :

TYPE	60Hz/1Ph			60Hz/3Ph		
	110V	220V	208V	230V	460V	575V
	Amp	Amp	Amp	Amp	Amp	Amp
KT-111N	14					
KT-112N		7				
KT-132N			3.7	3.5	2	1.3
KT-212N		14				
KT-232N			6.3	7	3.5	2.3
KT-212LN		14				
KT-232LN			6.3	7	3.5	2.3
KT-312H		21				
KT-332H			9.5	8.3	7.1	3.4
KT-532H			15.9	13.8	7	5.7
KT-532			15.9	13.8	7	5.7
KT-532L			15.9	13.8	7	5.7
KT-732H			22.2	19.3	9.6	8
KT-732			22.2	19.3	9.6	8
KT-1032H			31.7	27.5	13.8	11.5
KT-1032			31.7	27.5	13.8	11.5
KT-1532H			42.3	41.3	20.6	15.3
KT-1532			42.3	41.3	20.6	15.3

Go to www.flofab.com in Our Products Section to see the Master Spec - <http://www.arcomnet.com/masterspec/>



GP type Submersible Grinder Pump



Go to www.flofab.com in Our Products Section to see the Master Spec - <http://www.arcomnet.com/masterspec/>



SEWAGE GRINDER PUMPS

GP Series Sewage Grinder Pump

FEATURES:

- 1.The advanced integrated grinding mechanism particularly well-suited for use with liquids that may contain filaments, plastic bags, long fibers, rubber material etc.
- 2.The grinding mechanism is composed of a fixed blade and a rotating grinder made by hard Chromium-Molybdenum alloy steel that is highly resistant to the abrasion. There are 27 cutting edges on the fixed part. Then the two poles high torque motor will provide more than 80,000 shredding actions every minutes to perform an optimum shredding performance.
- 3.The triplex seals- Double mechanical seal plus an oil seal to isolate the motor from the sewage.
- 4.Unique Epoxy Cable Sealing Base ensures 100% capability to block the water vapor from entering the motor even the cable breaks.
- 5.Using dual ball bearing on the bottom of the motor to support the axial push.



Pants



Cotton Gloves



Rags



Sanitary Pad



Plastic bags



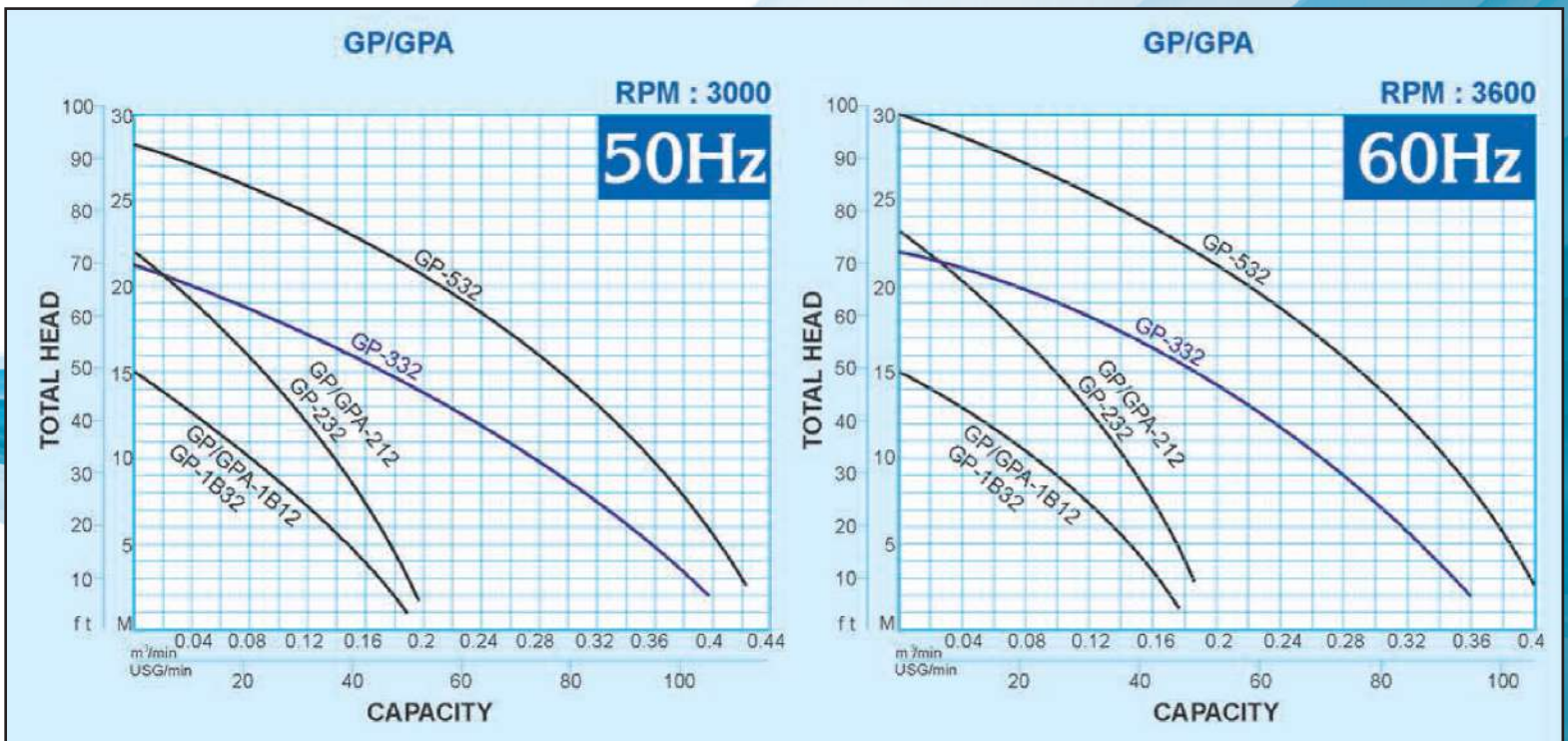
SEWAGE GRINDER PUMPS

GP Series Sewage Grinder Pump

SPECIFICATIONS:

TYPE				MOTOR						Disch. Diam.		50Hz		60 Hz		Cable	Weight			
				Power		Amp.		Phase	Volt			Max head	Max-Flow	Max head	Max-Flow		mm ² xM	GP	TOS	
✓	GP	✓	GPA	✓	TOS-GP	HP	KW	Start	Run	PH	V	in	mm	M	M ³ /min	M	M ³ /min	mm ² xM	GP	TOS
	GP-1B12		GPA-1B12		TOS-32-GP	1 1/2	1.1			1	200~240	1 1/4"	32	15	0.19	15	0.15	3.5 ² x10	31	18.2
	GP-1B32				TOS-32-GP			3	200~480											
	GP-212		GPA-212		TOS-32-GP	2	15			1	200~240	1 1/4"	32	22	0.2	23	0.19	3.5 ² x10	37	18.2
	GP-232				TOS-32-GP			3	200~480											
	GP-332				TOS-50-GP	3	22			3	200~480	2"	50	21	0.40	22	0.36	3.5 ² x10	48	18
	GP-532				TOS-50-GP	5	3.7			3	200~480	2"	50	28	0.43	30	0.40	3.5 ² x10	50	18

PERFORMANCE CURVES:



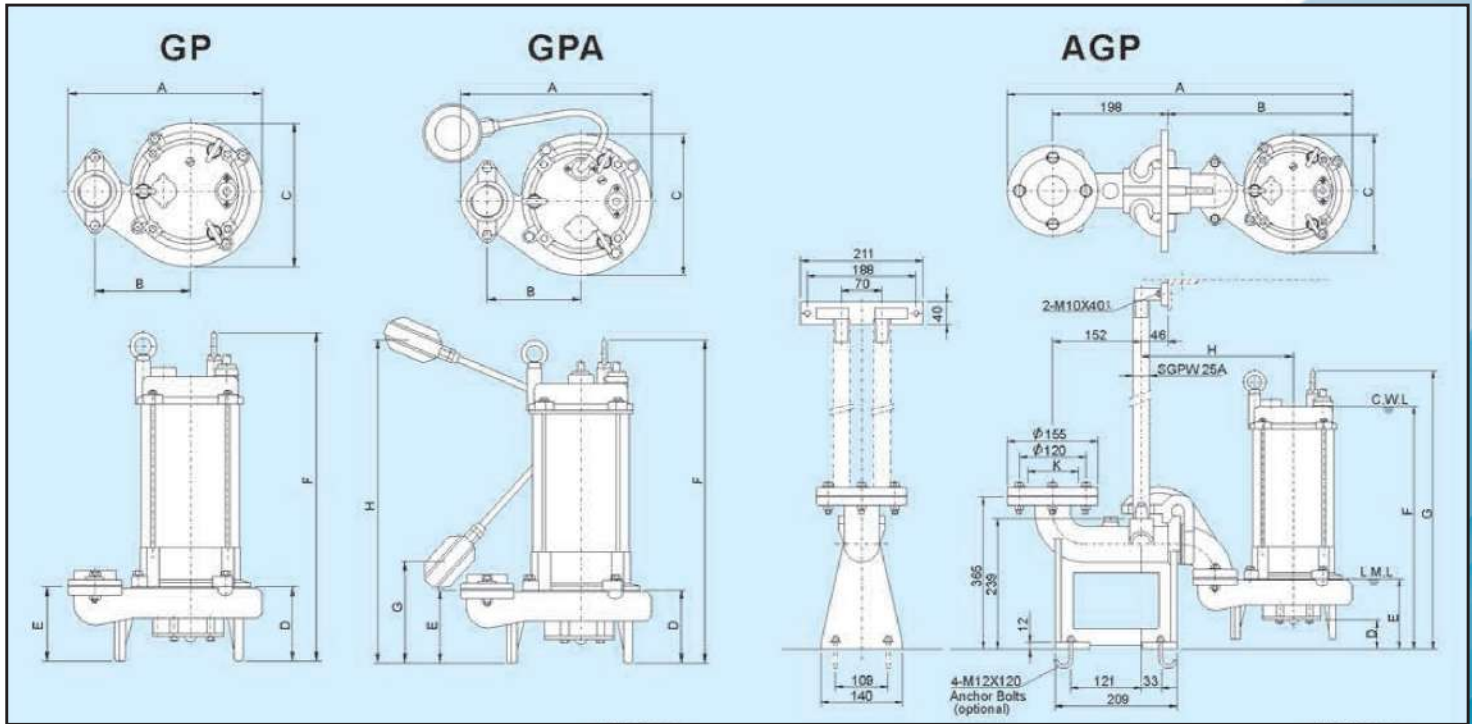
Go to www.flofab.com in Our Products Section to see the Master Spec - <http://www.arcomnet.com/masterspec/>



SEWAGE GRINDER PUMPS

GP/GPA/AGP Series

Sewage Grinder Pump



DIMENSIONS:

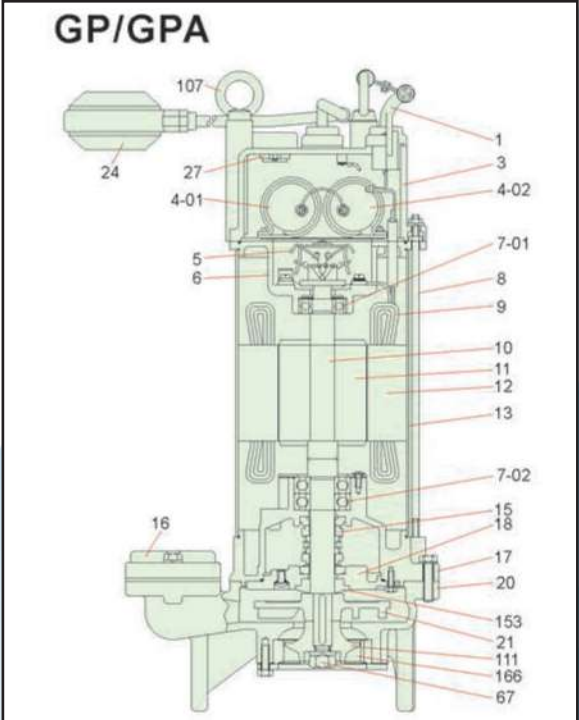
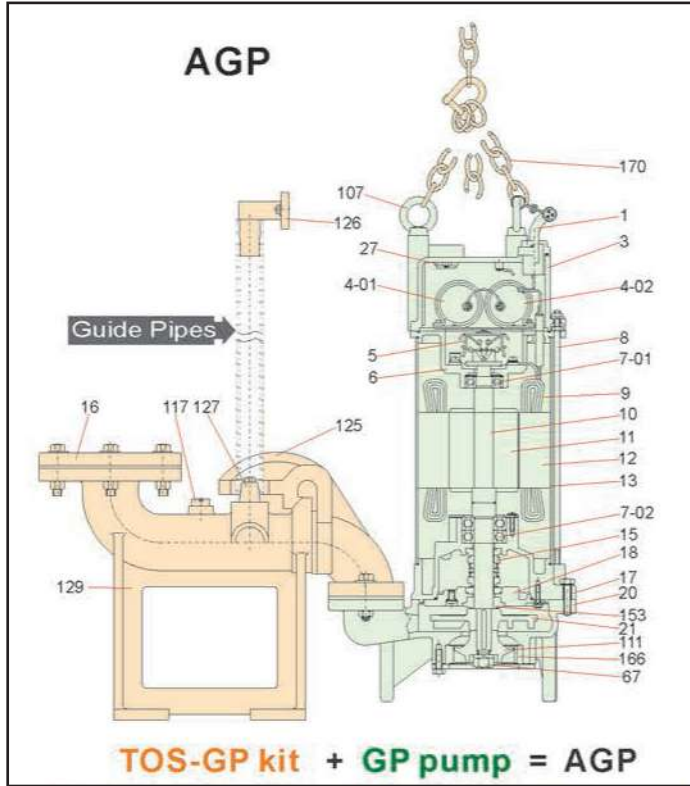
TYPE	A		B		C		D		E		F		G		H	
	MM	IN	MM	IN	MM	IN	MM	IN	MM	IN	MM	IN	MM	IN	MM	IN
GP/GPA-1B12	284	11,36	139	5,56	210	8,4	108	4,32	108	4,32	512	20,48	170	6,8	660	26,4
GP-1B32	284	11,36	139	5,56	210	8,4	108	4,32	108	4,32	459	18,36				
GP/GPA-212	284	11,36	139	5,56	210	8,4	108	4,32	108	4,32	552	22,08	170	6,8	700	28
GP-232	284	11,36	139	5,56	210	8,4	108	4,32	108	4,32	459	18,36				
GP-332	312	12,48	155	6,2	234	9,36	111	4,44	111	4,44	513	20,52				
GP-532	312	12,48	155	6,2	234	9,36	111	4,44	111	4,44	573	22,92				

TYPE	A		B		C		D		E		F		G		H		K	
	MM	IN	MM	IN	MM	IN	MM	IN	MM	IN	MM	IN	MM	IN	MM	IN	MM	IN
AGP-1B12	616	24,64	340	13,6	210	8,4	65	2,6	138	5,52	522	20,88	542	21,68	281	11,24	ø32	ø1,28
AGP-1B32	616	24,64	340	13,6	210	8,4	65	2,6	138	5,52	466	18,64	489	19,56	281	11,24	ø32	ø1,28
AGP-212	616	24,64	340	13,6	210	8,4	65	2,6	138	5,52	562	22,48	582	23,28	281	11,24	ø32	ø1,28
AGP-232	616	24,64	340	13,6	210	8,4	65	2,6	138	5,52	466	18,64	489	19,56	281	11,24	ø32	ø1,28
AGP-332	645	25,8	369	14,76	234	9,36	58	2,32	138	5,52	515	20,6	540	21,6	297	11,88	ø50	ø2
AGP-532	645	25,8	369	14,76	234	9,36	53	2,12	138	5,52	566	22,64	600	24	297	11,88	ø50	ø2



SEWAGE GRINDER PUMPS

CONSTRUCTIONS:



NO.	NAME OF PARTS	MATERIAL	
		GP/GPA	AGP
1	Cable	V.C.T.	V.C.T.
3	Motor head cover	Cast iron	Cast iron
4-01	Running capacitor		
4-02	Starting capacitor		
5	Centrifugal switch		
6	Upper bracket	Cast iron	Cast iron
7-01	Bearing		
7-02	Bearing	SUS 304	SUS 304
8	Bolt	SUS 304	SUS 304
9	Coil		
10	Shaft	SUS 304	SUS 304
11	Rotor	Steel plate	Steel plate
12	Stator	Steel plate	Steel plate
13	Motor casing	SUS 304	SUS 304
15	Mechanical seal	Ceramic + Carbon	
16	Flange setter	Cast iron	Cast iron
17	Motor lower cover	Cast iron	Cast iron
18	Mechanical seal cover	Cast iron	Cast iron
20	Pump casing	Cast iron	Cast iron
21	Impeller	Cast iron	Cast iron
24	Float Switch	fo GPA only	
27	Thermal protector		
67	Nut	SUS304	SUS304
107	Eye Bolt	SUS304	SUS304
111	Grinder	SCM 440	SCM 440
117	Vented Screw		P. Steel
125	Guide connector		Cast iron
126	Upper guide support		Cast iron
127	Lower guide support		Cast iron
129	Duck foot bend		Cast iron
153	Sand proof trap	NBR	NBR
166	Fixed blade	SCM 440	SCM 440
170	Lifting chain set		SUS 304

STANDARD ACCESSORIES OF TOS-GP KIT:

Part NO.	Description/ Discharge bore	1-1/4" (32mm)	2" (50mm)	Material
126	Upper guide support	1.5 kg	1.5 kg	Cast iron
54	Guide Connector	2.7 kg	2.7 kg	Cast iron
97	Lifting chain with shackle	4 m	4 m	SUS 304
129	Duck Foot Bend	12kg	12kg	Cast iron

*The guide pipes are not included in the package of guide rail kit.

SPECIFICATION OF GUIDE RAIL KIT, TOS-GP

TYPE	Discharge Bore	Designed for	Weight
TOS-32-GP	1-1/4" (32 mm)	GP-1B12/1B32/212/232	18.2 kG (40,12 LBS)
TOS-80-SSM	2" (50 mm)	GP-332, GP-532	18 kG (39,68 LBS)

Customer can order TOS-GP kit to convert GP pump into AGP.

For example: GP-1B12+ TOS-32-GP = AGP-1B12
 GP-532 +TOS-50-GP = AGP-532



GPQ type Submersible Stainless Grinder Pump



Go to www.flofab.com in Our Products Section to see the Master Spec - <http://www.arcomnet.com/masterspec/>





GPO Series Stainless Grinder Pump

FEATURES:

1.The powerful integrated grinding mechanism particularly for grinding larger and heavier piece such as the poultry bones at the waste of the restaurant or the untreated sewage with larger hard solid inside.

2.The hard stainless steel made grinder and Impeller together with the high torque motor perform the optimal grinding performance.

3.Special servicing hole situated at the side of the pump casing provide the easy checking and cleaning function during the maintenance.

4.The triplex seals- Double mechanical seal plus an oil seal to isolate the motor from the sewage.

5.Unique Epoxy Cable Sealing Base ensures 100% capability to block the water vapor from entering the motor even the cable breaks.

6.Equipped with a self-reset circle thermal protect or to prevent over-loading, locking of the impeller, and scorch damage to the motor from phase failure.

7.Using dual ball bearing on the bottom of the motor to support the axial push.



Poultry bones



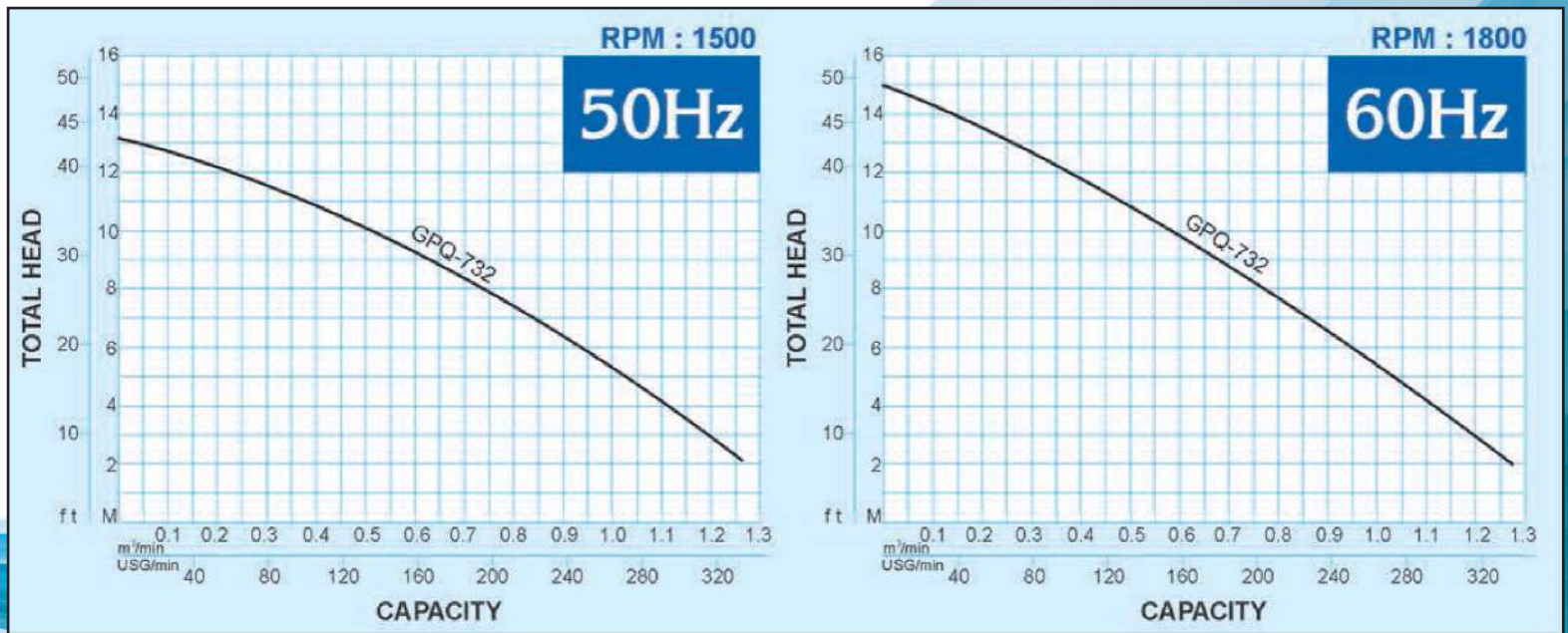
STAINLESS GRINDER PUMPS

GPQ Series Stainless Grinder Pump

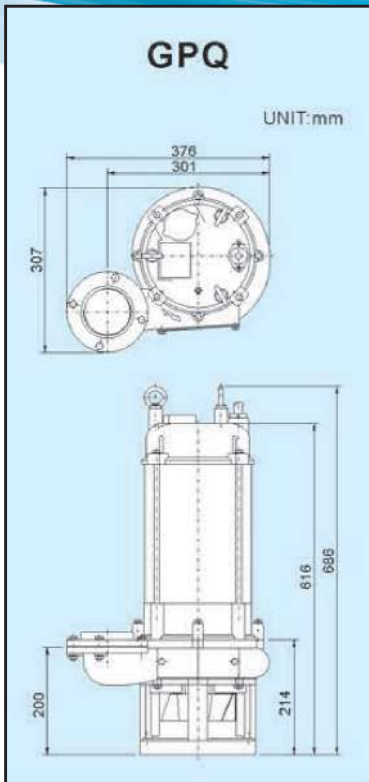
SPECIFICATIONS:

✓	TYPE	MOTOR						Disch. Diam.		50Hz		60 Hz		Cable	Weight	
		Power		Amp.		Phase	Volt			Max head	Max-Flow	Max head	Max-Flow		KG	LBS
	GP	HP	KW	Start	Run	PH	V	in	mm	M	M ³ /min	M	M ³ /min	mm ² xM		
	GPQ-732	7 1/2	5.5			3	200~480	3"	80	13	1.25	15	1.28	5.5 ² x10	83.5	184,09

PERFORMANCE CURVES:



DIMENSIONS:



CONSTRUCTIONS:

NO.	NAME OF PARTS	MATERIAL
1	Cable	V.C.T
3	Motor head cover	SUS 304
7-01	Bearing	
7-02	Bearing	
8	Bolt	SUS 304
9	Coil	
10	Shaft	SUS 410
11	Rotor	Steel plate
12	Stator	Steel plate
13	Motor casing	SUS 304
15	Mechanical seal	Ceramic+Carbon
16	Flange setter	SUS 304
17	Motor low cover	SUS 304
18	Mechanical seal cover	SUS 304
19	Oil seal	NBR
20	Pump casing	SUS 304
21	Impeller	SUS 304
22	Suction cover	SUS 304
27	Thermal protector	
68	Nut	Gun metal
90	Motor base	SUS 304
111	Grinder	SUS 304

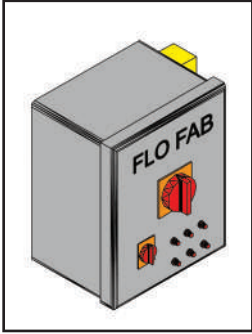
Go to www.flofab.com in Our Products Section to see the Master Spec - <http://www.arcomnet.com/masterspec/>



SUBMERSIBLES PUMPS

● Accessories

Control Panel

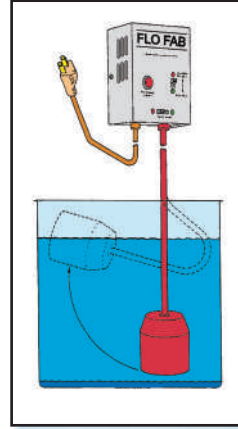


FLO FAB Standard UL or CSA NEMA 1 – enclosure. Includes main disconnect switch, internal circuit, breakers, transformer, low suction pressure switch and pilot light, hand-off auto switch, pump running light, current-relay, minimum run timer, automatic transfer to lag pump circuit, lead pump selector switch, power on light, dry contact for remote signal.

Model

- Simplex
- Duplex
- Triplex
- SSP
- DSP
- TSP
- 115/1
- 230/1
- 575/3
- 208/3
- 460/3
- 575/3

Tank Alert Float

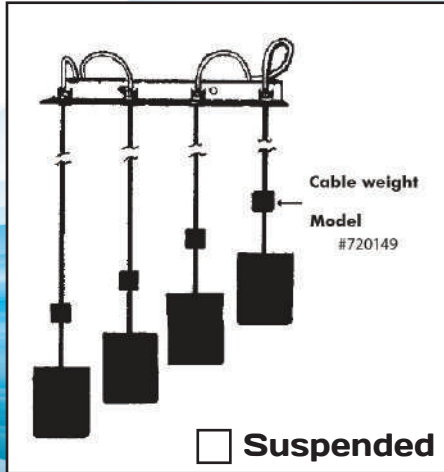
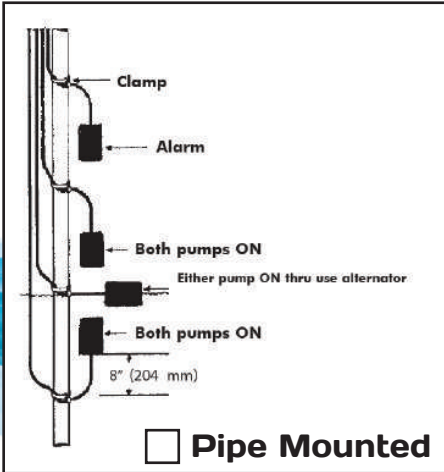


- Nema 1 Compliance in a metal alarm panel
- When used with a pump application, the Tank Alert may be connected to a circuit breaker other than the pump circuit. This allows the Tank Alert to operate even if the pump circuit should fail.

Model

- 101 HW
 - 101 LW
 - With Dry Contact
 - Without Dry Contact
- 120/1/60**

Mechanical Float Switch



#720145 Bracket

- Not Included
- Included

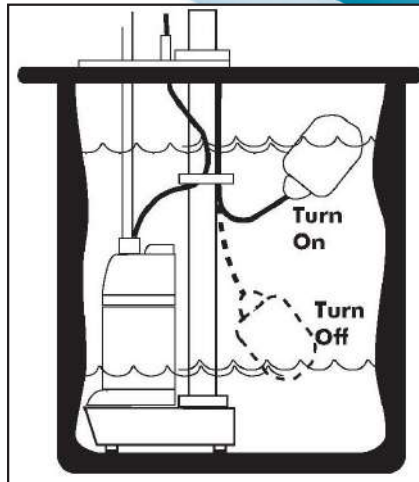
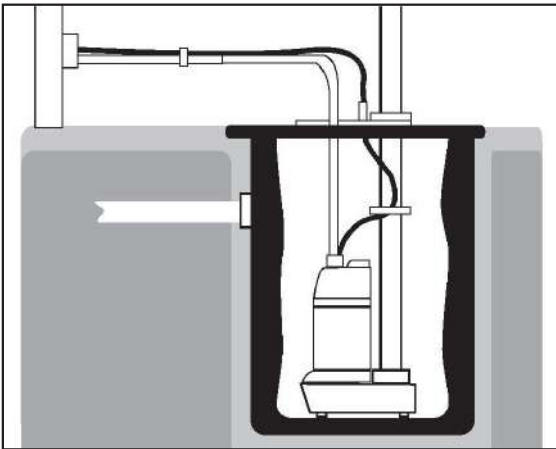
Model

Contacts

- 30
- 720165
- with Plug
- without Plug

QTY. _____

General arrangement for Single Pump float operation (plug in type)



Float Model

Contacts

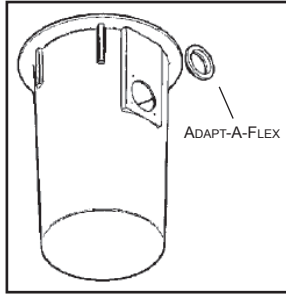
- 30" 720165
- N/O

QTY. _____



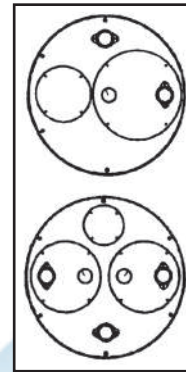
ACCESSORIES

Polyethylene Basin



- Polyethylene
 - Fiberglass
- Model
- 1830 - 30 gal.
 - 2436 - 70 gal.
 - 3636 - 159 gal.
 - 4848 - 376 gal.

Steel Basin Covers

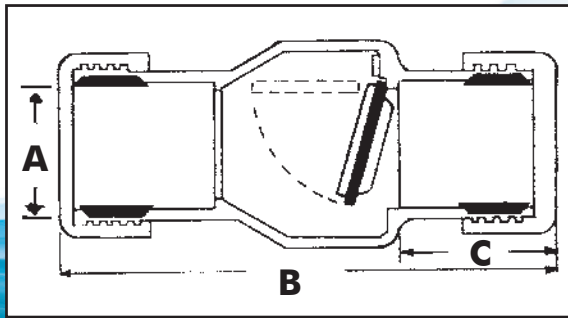


- Simplex
- Duplex

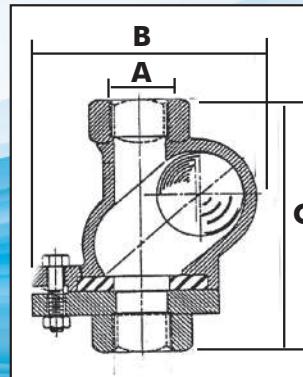
Model

- 18"
- 24"
- 36"
- 48"

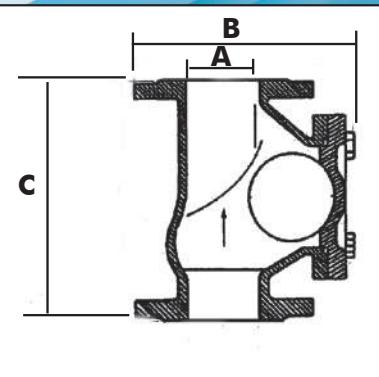
Check Valve



Type CVP



Type CBO125-CBO200

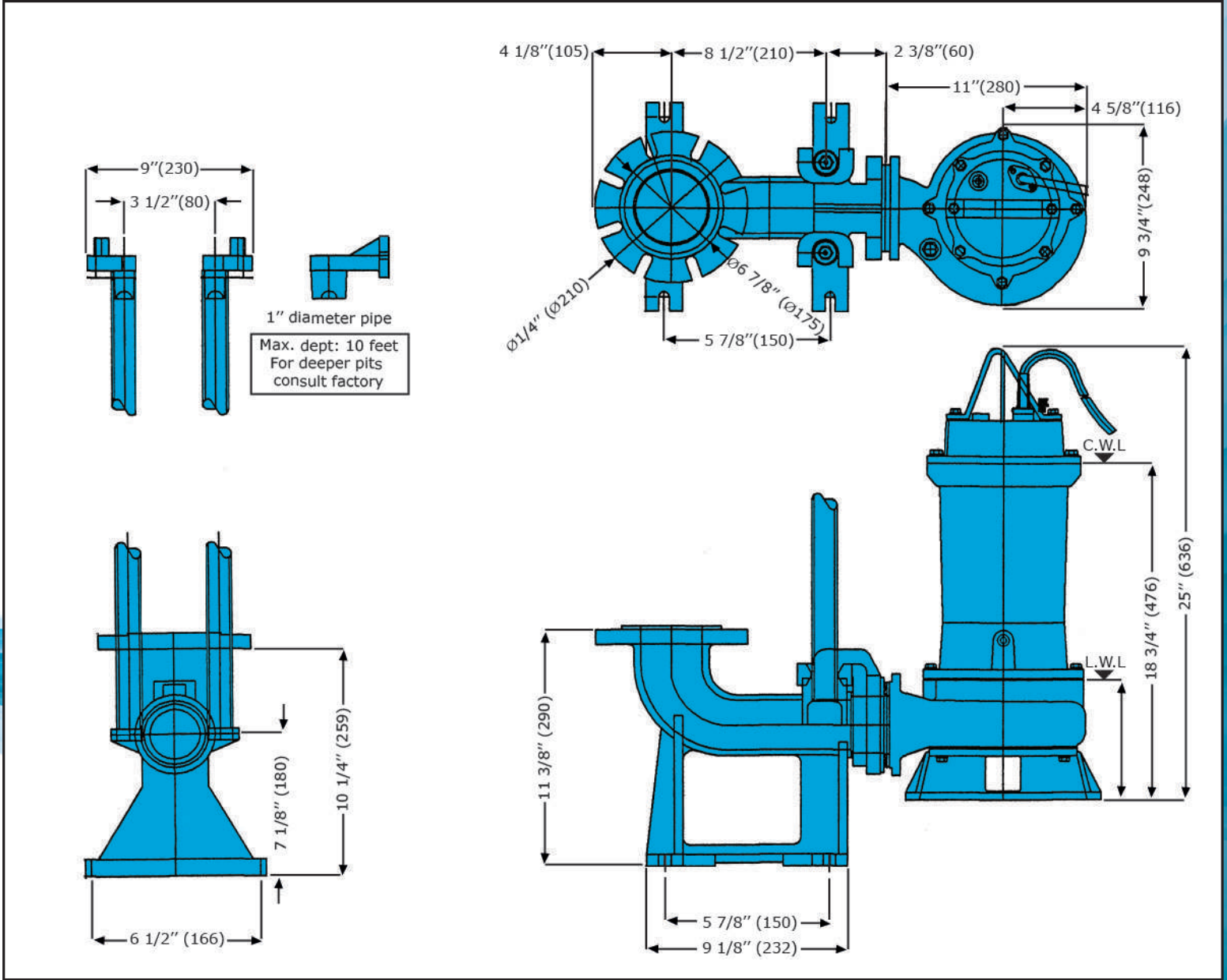


Type CBO300-CBO400

✓	Models	A	B		C		Pressure Test lb/po/ca
			mm	in	mm	in	
	CVP0125	1 1/4" NPT	132	5 1/4	28	1 1/8	
	CVP0150	1 1/2" NPT	132	5 1/4	28	1 1/8	
	CVP0200	2" NPT	245	9 3/4	70	2 3/4	
	CVP0300	3" NPT	350	14	100	4	
	CB0125	1 1/4" NPT	119	4 11/16	135	5 5/16	150
	CB0150	1 1/2" NPT	119	4 11/16	135	5 5/16	150
	CB0200	2" NPT	157	6 3/16	175	6 7/8	150
	CB0300	3" Flanged	214	8 7/16	246	9 1/16	150
	CB0400	4" Flanged	282	11 1/8	300	11 3/16	150



● Slide Away Coupling :
LBV 25/40/75 c/w 2"



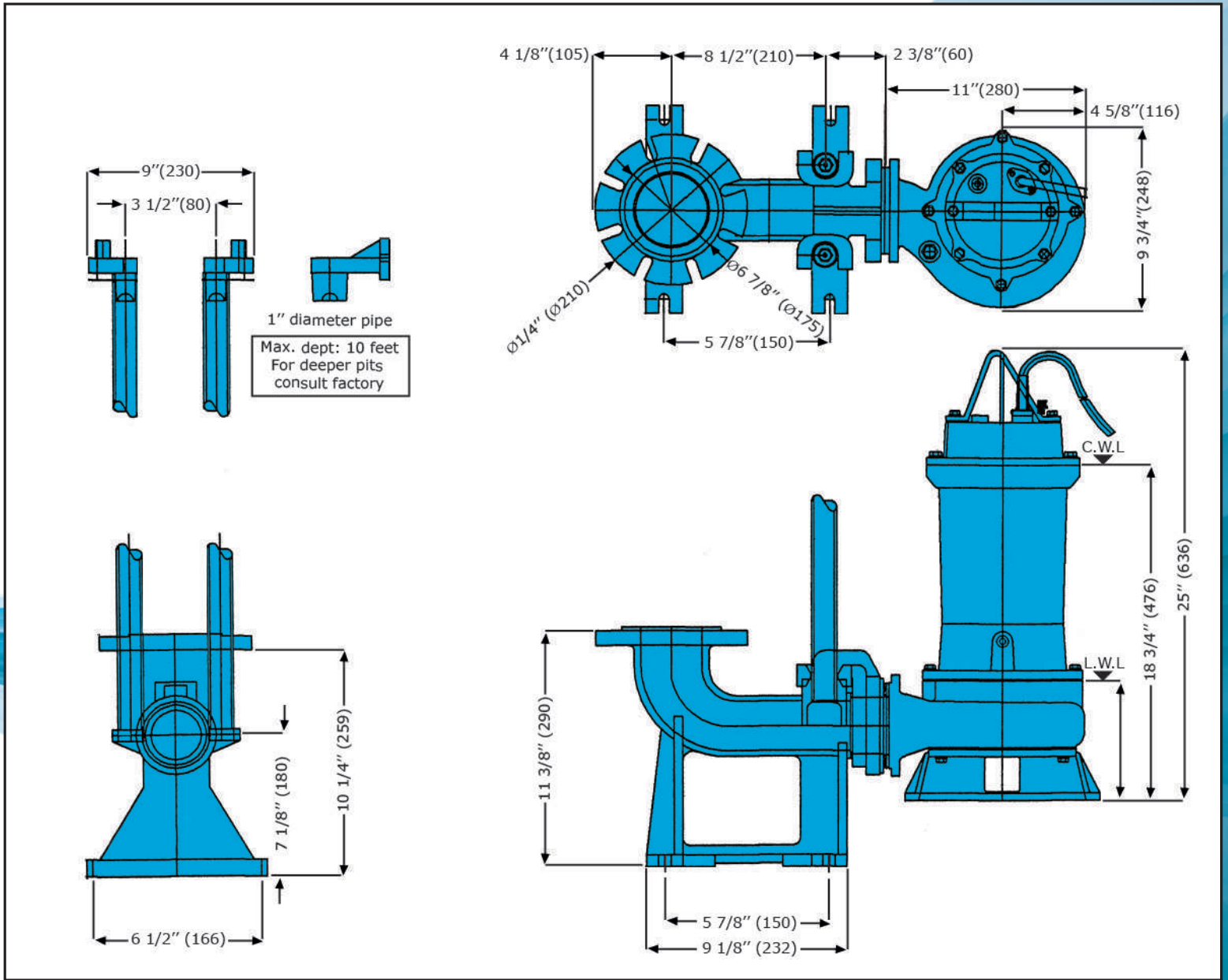
LBV - 2" Model BAF 0200



SUBMERSIBLES PUMPS

● Slide Away Coupling :

FBV - 3" & 4"



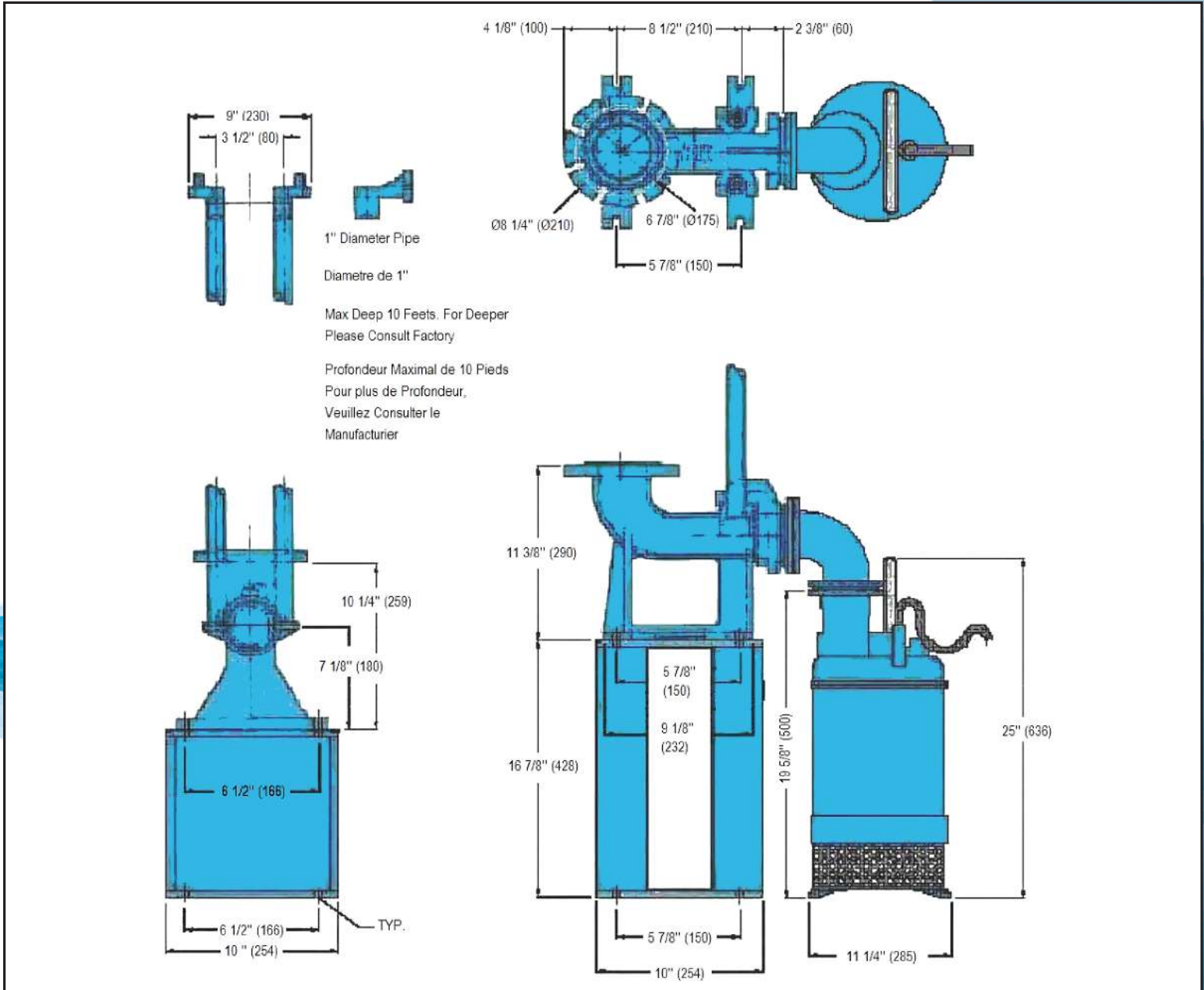
- FBV - 3" Model BAF O300
- FBV - 4" Model BAF O400



SUBMERSIBLE PUMPS

● Slide Away Coupling :

FS 3" & 4"



FS - 3" Model BAFFS0300

FS - 4" Model BAFFS0400



FIBERGLASS BASINS

18" Fiberglass Basins



√	Models	DIA X DEPTH	CAPACITY	WEIGHT
	1822FB-LC	18 X 22	24	12
	1830FB-LC	18 X 30	33	15
	1836FB-LC	18 X 36	40	18
	1842FB-LC	18 X 42	46	21
	1848FB-LC	18 X 48	53	24
	1854FB-LC	18 X 54	59	27
	1860FB-LC	18 X 60	66	30
	1866FB-LC	18 X 66	73	33
	1872FB-LC	18 X 72	79	36
	1878FB-LC	18 X 78	86	39
	1884FB-LC	18 X 84	93	42
	1890FB-LC	18 X 90	99	45
	1896FB-LC	18 X 96	106	48

Suitable for liquids up to 140°F
 Cover not included in basin price See below
 Adapt-a-flex and cast iron hubs sold separately

Longer Depths Available
Basins 48" and Deeper c/w Anti-Float
If Anti-Float not required please call for P & D

Covers for 18" Dia. Basins

BLANK
Steel / S. foam



BLANK / steel
Checker Plated



SIMPLEX
Steel / SF (1pc)



SIMPLEX 2 PC
Structural foam



√	Models	MATERIAL	WEIGHT
	18B	BLANK STEEL 3/16" THICK	14
	18BCP	BLANK STEEL checker plated	14
	18BSF	BLANK STRUCTURAL FOAM	5

√	Models	MATERIAL	WEIGHT
	18SSF*	SIMPLEX SF (1pc)	7
	SF114-2PC*	SIMPLEX SPLIT 2 PC FOAM	10
	18S*	SIMPLEX STEEL 3/16" THICK	10

*c/w 2" discharge & 3" vent flanges



24" Fiberglass Basins



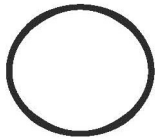
√	Models	DIA X DEPTH	CAPACITY	WEIGHT
	2424FB-LC	24 X 24	47	30
	2430FB-LC	24 X 30	59	35
	2436FB-LC	24 X 36	70	40
	2442FB-LC	24 X 42	82	45
	2448FB-LC	24 X 48	94	50
	2454FB-LC	24 X 54	106	54
	2460FB-LC	24 X 60	117	59
	2466FB-LC	24 X 66	129	64
	2472FB-LC	24 X 72	141	69
	2478FB-LC	24 X 78	153	92
	2484FB-LC	24 X 84	164	96
	2490FB-LC	24 X 90	176	100
	2496FB-LC	24 X 96	188	105

Suitable for liquids up to 140°F
 Cover not included in basin price See below
 Adapt-a-flex and cast iron hubs sold separately

Longer Depths Available
Basins 48" and Deeper c/w Anti-Float
If Anti-Float not required please call for P & D

Covers for 24" Dia. Basins

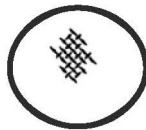
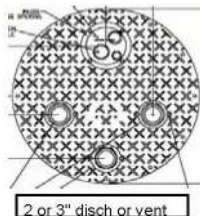
Steel / F/ S Foam



SLIMPLEX SF



SIMPLEX / steel

BLANK / steel
Checker PlatedDUPLEX
Structural foam

2 or 3" disch or vent

√	Models	MATERIAL	WEIGHT
	24B	BLANK STEEL 3/16" THICK	48
	24BCP	BLANK STEEL checker plated	48
	24BF	BLANK FIBERGLASS	18
	SF24B-BL	BLANK STRUCTURAL FOAM	20
	SF24S-BL*	SIMPLEX STRUCTURAL FOAM	22
	LB-10-S2401-1	SIMPLEX STEEL 10 gauge	
	24SI	SIMPLEX STEEL 3/16" THICK	50
	SF24D-BL*	DUPLEX STRUCTURAL FOAM	24
	JC24H	3/16" STEEL HINGED DOOR COVER	

*c/w 2" discharge & 3" vent flanges



FIBERGLASS BASINS

30" Fiberglass Basins

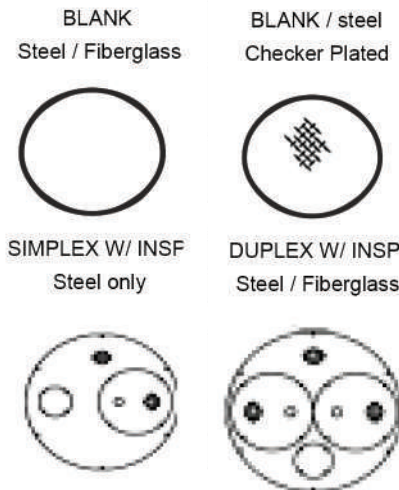


√	Models	DIA X DEPTH	CAPACITY	WEIGHT
	3030FB-LC	30 X 30	92	46
	3036FB-LC	30 X 36	110	52
	3042FB-LC	30 X 42	129	58
	3048FB-LC	30 X 48	147	64
	3054FB-LC	30 X 54	165	70
	3060FB-LC	30 X 60	184	76
	3066FB-LC	30 X 66	202	112
	3072FB-LC	30 X 72	220	118
	3078FB-LC	30 X 78	239	125
	3084FB-LC	30 X 84	257	133
	3090FB-LC	30 X 90	275	141
	3096FB-LC	30 X 96	294	148

Suitable for liquids up to 140°F
 Cover not included in basin price See below
 Adapt-a-flex and cast iron hubs sold separately

Longer Depths Available
Basins 48" and Deeper c/w Anti-Float
If Anti-Float not required please call for P & D

Covers for 30" Dia. Basins



√	Models	MATERIAL	WEIGHT
	30B	BLANK STEEL 3/16" THICK	65
	30BCP	BLANK STEEL checker plated	65
	30BF	BLANK FIBERGLASS	20
	LB-10S3001	SIMPLEX STEEL 10 gauge	
	30SI*	SIMPLEX STEEL 3/16" THICK	69
	30DIF*	DUPLEX FIBERGLASS	30
	LB-10S3002	DUPLEX STEEL 10 gauge	
	30DI*	DUPLEX STEEL 3/16" THICK	75
	JC30H	3/16" STEEL HINGED DOOR COVER	

*c/w 2" discharge & 3" vent flanges



36" Fiberglass Basins



✓	Models	DIA X DEPTH	CAPACITY	WEIGHT
	3636FB-LC	36 X 36	159	65
	3642FB-LC	36 X 42	185	71
	3648FB-LC	36 X 48	211	78
	3654FB-LC	36 X 54	238	86
	3660FB-LC	36 X 60	264	93
	3666FB-LC	36 X 66	291	159
	3672FB-LC	36 X 72	317	168
	3678FB-LC	36 X 78	344	177
	3684FB-LC	36 X 84	370	186
	3690FB-LC	36 X 90	397	196
	3696FB-LC	36 X 96	423	205

Suitable for liquids up to 140°F
 Cover not included in basin price See below
 Adapt-a-flex and cast iron hubs sold separately

Longer Depths Available
Basins 48" and Deeper c/w Anti-Float
If Anti-Float not required please call for P & D

Covers for 36" Dia. Basins

BLANK
Steel / Fiberglass



SIMPLEX W/ INSP
Steel only



BLANK / steel
Checker Plated



DUPLEX W/ INSP
Steel / Fiberglass



✓	Models	MATERIAL	WEIGHT
	36B	BLANK STEEL 3/16" THICK	90
	36BCP	BLANK STEEL checker plated	90
	36BF	BLANK FIBERGLASS	30
	LB-10S3601	SIMPLEX STEEL 10 gauge	
	36SI*	SIMPLEX STEEL 3/16" THICK	95
	LB-10S3602	DUPLEX STEEL 10 gauge	
	36DI*	DUPLEX STEEL 3/16" THICK	110
	JC36H	1/4" STEEL HINGED DOOR COVER	

*c/w 2" discharge & 3" vent flanges



FIBERGLASS BASINS

42" Fiberglass Basins

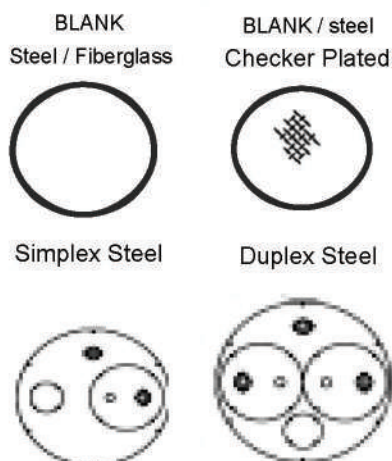


√	Models	DIA X DEPTH	CAPACITY	WEIGHT
	4230FB-LC	42 X 30	180	81
	4236FB-LC	42 X 36	216	94
	4242FB-LC	42 X 42	252	105
	4248FB-LC	42 X 48	288	116
	4254FB-LC	42 X 54	324	128
	4260FB-LC	42 X 60	360	139
	4266FB-LC	42 X 66	396	183
	4272FB-LC	42 X 72	432	194
	4278FB-LC	42 X 78	468	208
	4284FB-LC	42 X 84	504	221
	4290FB-LC	42 X 90	540	235
	4296FB-LC	42 X 96	576	249

Suitable for liquids up to 140°F
 Cover not included in basin price See below
 Adapt-a-flex and cast iron hubs sold separately

Longer Depths Available
Basins 48" and Deeper c/w Anti-Float
If Anti-Float not required please call for P & D

Covers for 42" Dia. Basins



√	Models	MATERIAL	WEIGHT
	42B	BLANK STEEL 3/16" THICK	128
	42BCP	BLANK STEEL checker plated	128
	42BF	BLANK FIBERGLASS	40
	42SI*	SIMPLEX STEEL 1/4" THICK	135
	42DI*	DUPLEX STEEL 1/4" THICK	140
	LB-S42HDC	1/4" STEEL HINGED DOOR COVER	

*c/w 2" discharge & 3" vent flanges



48" Fiberglass Basins



√	Models	DIA X DEPTH	CAPACITY	WEIGHT
	4830FB-LC	48 X 30	235	97
	4836FB-LC	48 X 36	282	110
	4842FB-LC	48 X 42	329	123
	4848FB-LC	48 X 48	376	136
	4854FB-LC	48 X 54	423	148
	4860FB-LC	48 X 60	470	161
	4866FB-LC	48 X 66	517	244
	4872FB-LC	48 X 72	564	260
	4878FB-LC	48 X 78	611	280
	4884FB-LC	48 X 84	658	299
	4890FB-LC	48 X 90	705	318
	4896FB-LC	48 X 96	752	338

Suitable for liquids up to 140°F
 Cover not included in basin price See below
 Adapt-a-flex and cast iron hubs sold separately

Longer Depths Available
Basins 48" and Deeper c/w Anti-Float
If Anti-Float not required please call for P & D

Covers for 48" Dia. Basins

BLANK
Steel / Fiberglass



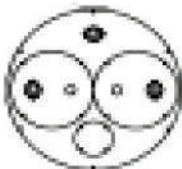
SIMPLEX W/ INSP
Steel only



BLANK / steel
Checker Plated



DUPLEX W/ INSP
Steel / Fiberglass



√	Models	MATERIAL	WEIGHT
	48B	BLANK STEEL 1/4" THICK	165
	48BCP	BLANK STEEL checker plated	165
	48BF	BLANK FIBERGLASS	65
	48SI*	SIMPLEX STEEL 1/4" THICK	170
	48DI*	DUPLEX STEEL 1/4" THICK	180
	JC48H	1/4" STEEL HINGED DOOR COVER	

*c/w 2" discharge & 3" vent flanges



FIBERGLASS BASINS

60" Fiberglass Basins

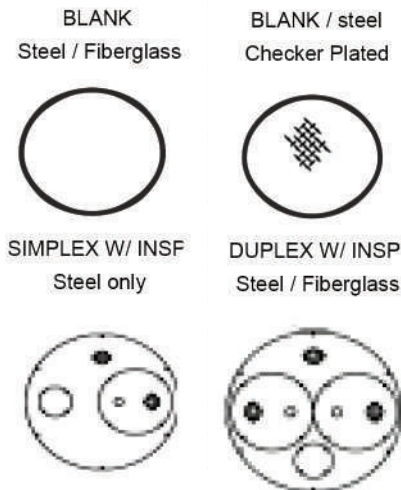


√	Models	DIA X DEPTH	CAPACITY	WEIGHT
	6036FB-LC	60 X 36	440	309
	6042FB-LC	60 X 42	514	334
	6048FB-LC	60 X 48	587	358
	6054FB-LC	60 X 54	661	382
	6060FB-LC	60 X 60	734	406
	6066FB-LC	60 X 66	808	430
	6072FB-LC	60 X 72	881	454
	6078FB-LC	60 X 78	955	483
	6084FB-LC	60 X 84	1028	512
	6090FB-LC	60 X 90	1102	540
	6096FB-LC	60 X 96	1175	569

Suitable for liquids up to 140°F
 Cover not included in basin price See below
 Adapt-a-flex and cast iron hubs sold separately

Longer Depths Available
Basins 48" and Deeper c/w Anti-Float
If Anti-Float not required please call for P & D

Covers for 60" Dia. Basins



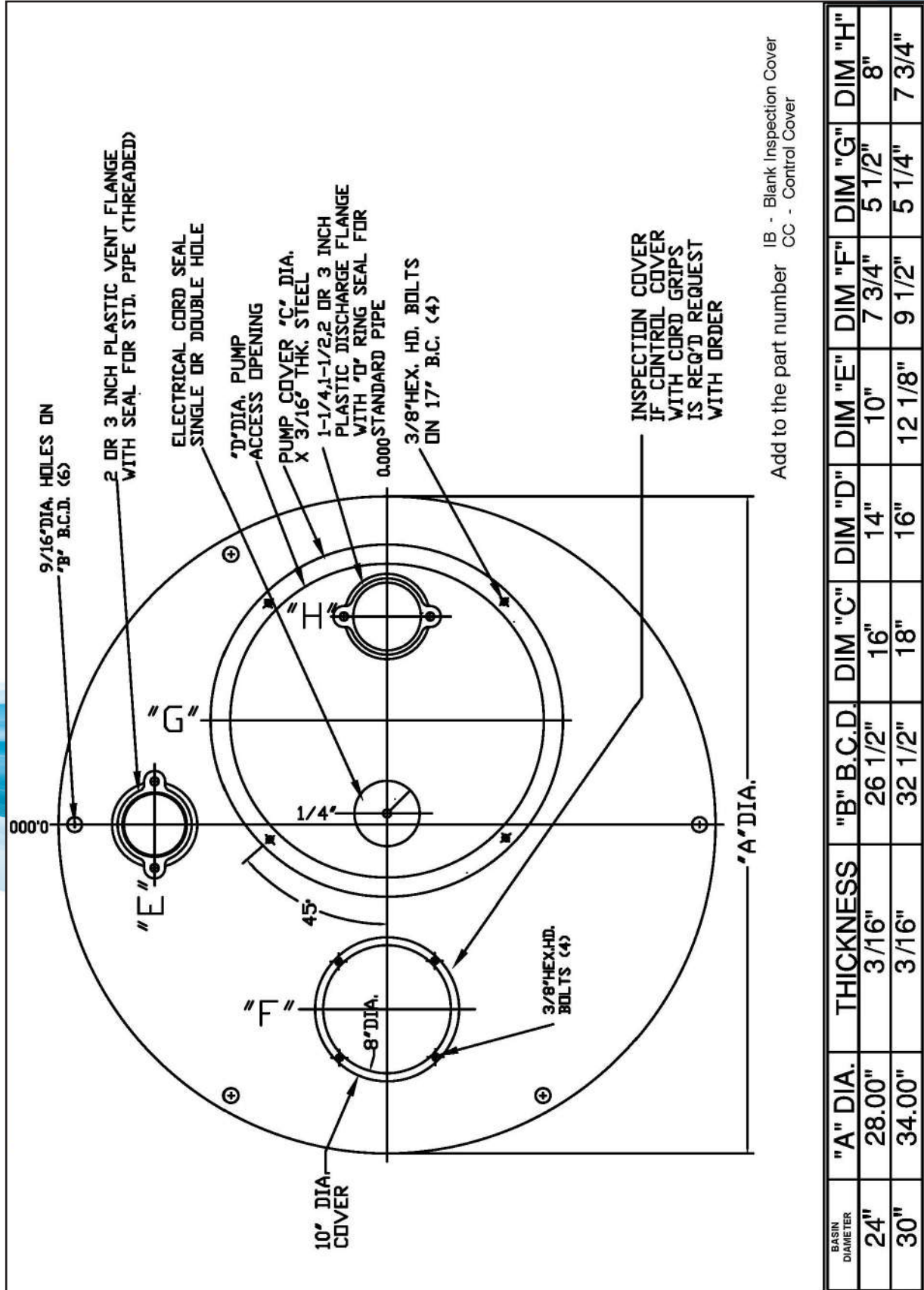
√	Models	MATERIAL	WEIGHT
	60B	BLANK STEEL 1/4" THICK	365
	60BCP	BLANK STEEL checker plated	365
	60BF	BLANK FIBERGLASS	75
	60SI*	SIMPLEX STEEL 1/4" THICK	380
	60DI*	DUPLEX STEEL 1/4" THICK	395
	LB-S60HDC	3/8" STEEL HINGED DOOR COVER	

*c/w 2" discharge & 3" vent flanges



SIMPLEX METAL COVER

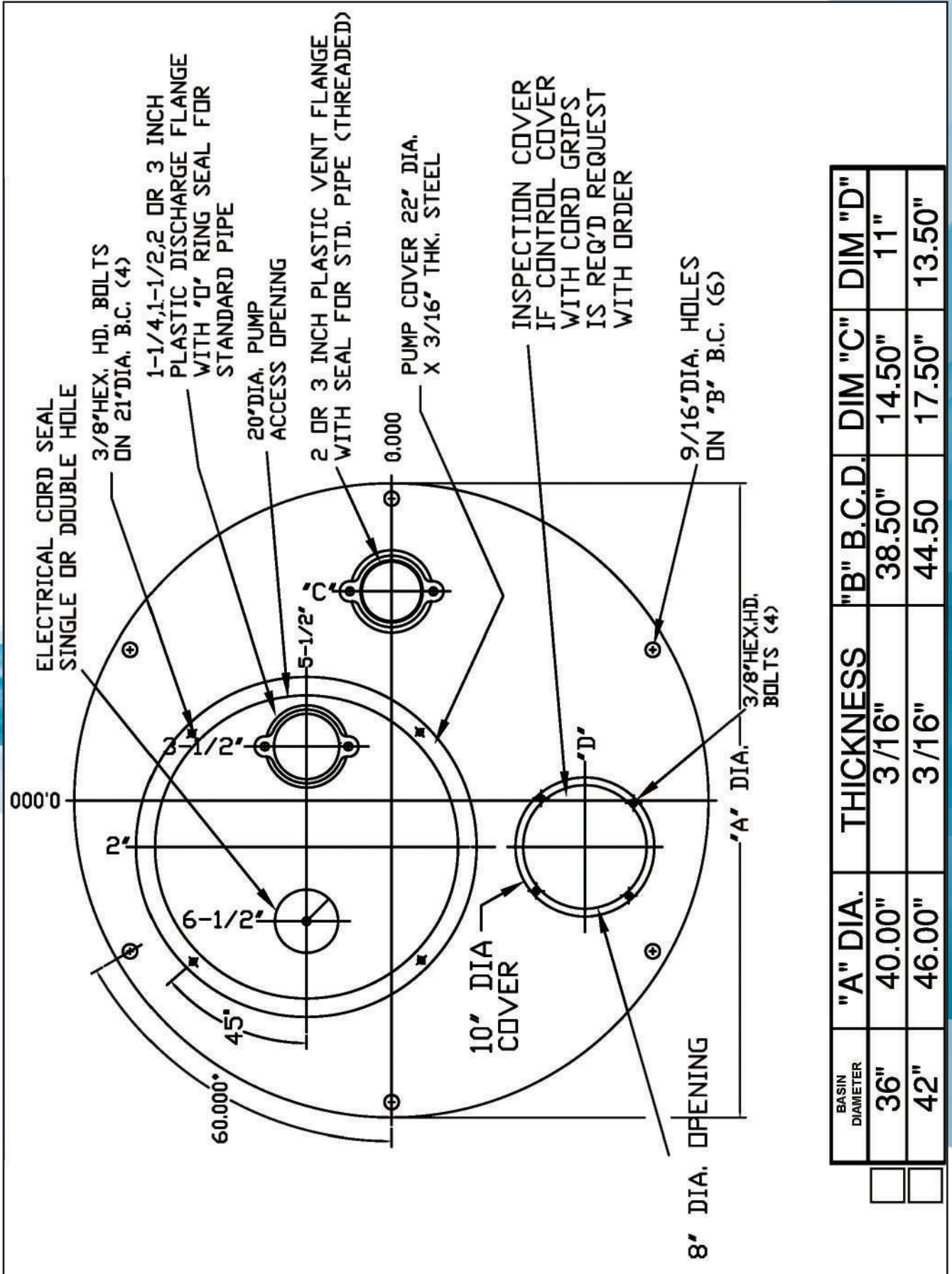
Simplex Metal Covers





SIMPLEX METAL COVER

Simplex Metal Covers



BASIN DIAMETER	"A" DIA.	THICKNESS	"B" B.C.D.	DIM "C"	DIM "D"
36"	40.00"	3/16"	38.50"	14.50"	11"
42"	46.00"	3/16"	44.50"	17.50"	13.50"

Go to www.flofab.com in Our Products Section to see the Master Spec - <http://www.arcomnet.com/masterspec/>



SIMPLEX METAL COVER

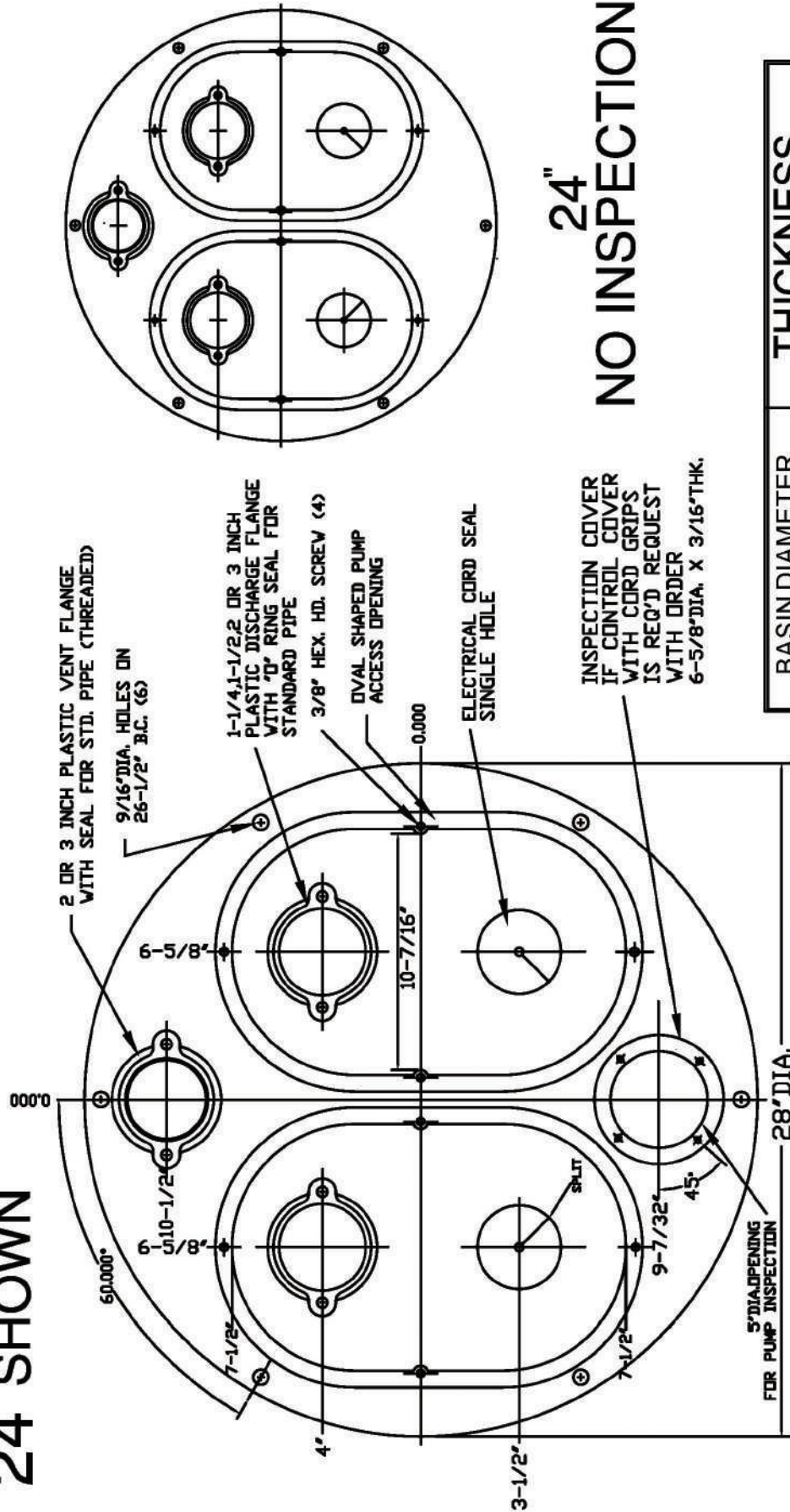
Simplex Metal Covers

2" OR 3" PLASTIC VENT FLANGE WITH "O" RING SEAL FOR STD. PIPE (THREADED)
 1-1/4", 1-1/2", 2" OR 3" PLASTIC DISCHARGE FLANGE WITH "O" RING SEAL FOR STD. PIPE
 "C" DIA. PUMP COVER X 3/16" THK. H.R.P.D. STEEL
 "D" DIA. PUMP ACCESS OPENING
 0.000
 9/16" DIA. HOLES ON 51" BOLT CIRCLE (6) PLACES
 INSPECTION COVER IF CONTROL COVER WITH CORD GRIPS IS REQ'D REQUEST WITH ORDER
 10" DIA. COVER
 8" DIA. OPENING
 "A" DIA.
 "B" B.C.D.
 "C"
 "D"
 "E"
 "F"
 "G"
 "H"
 60 DEG. TYP.
 ELECTRICAL CORD SEAL (SINGLE OR DOUBLE HOLE)
 3/8"-16 HEX. HD. BOLTS (4)
 3/8"-16 HEX. HD. BOLTS
 NO INSPECTION
 48"
 60"
 WITH INSPECTION
 48"
 60"

BASIN DIAMETER	"A" DIA.	THICKNESS	"B" B.C.D.	"C"	"D"	"E"	"F"	"G"	"H"
48"	54"	3/16"	51"	22"	20"	20"	N/A	4 1/2"	5 1/2"
48"	54"	3/16"	51"	22"	20"	20"	17 1/2"	4 1/2"	5 1/2"
60"	66"	3/16"	63"	28"	26"	25 1/2"	N/A	5"	8"
60"	66"	3/16"	63"	28"	26"	25 1/2"	20"	5"	8"

24" Duplex Metal Covers

24" SHOWN



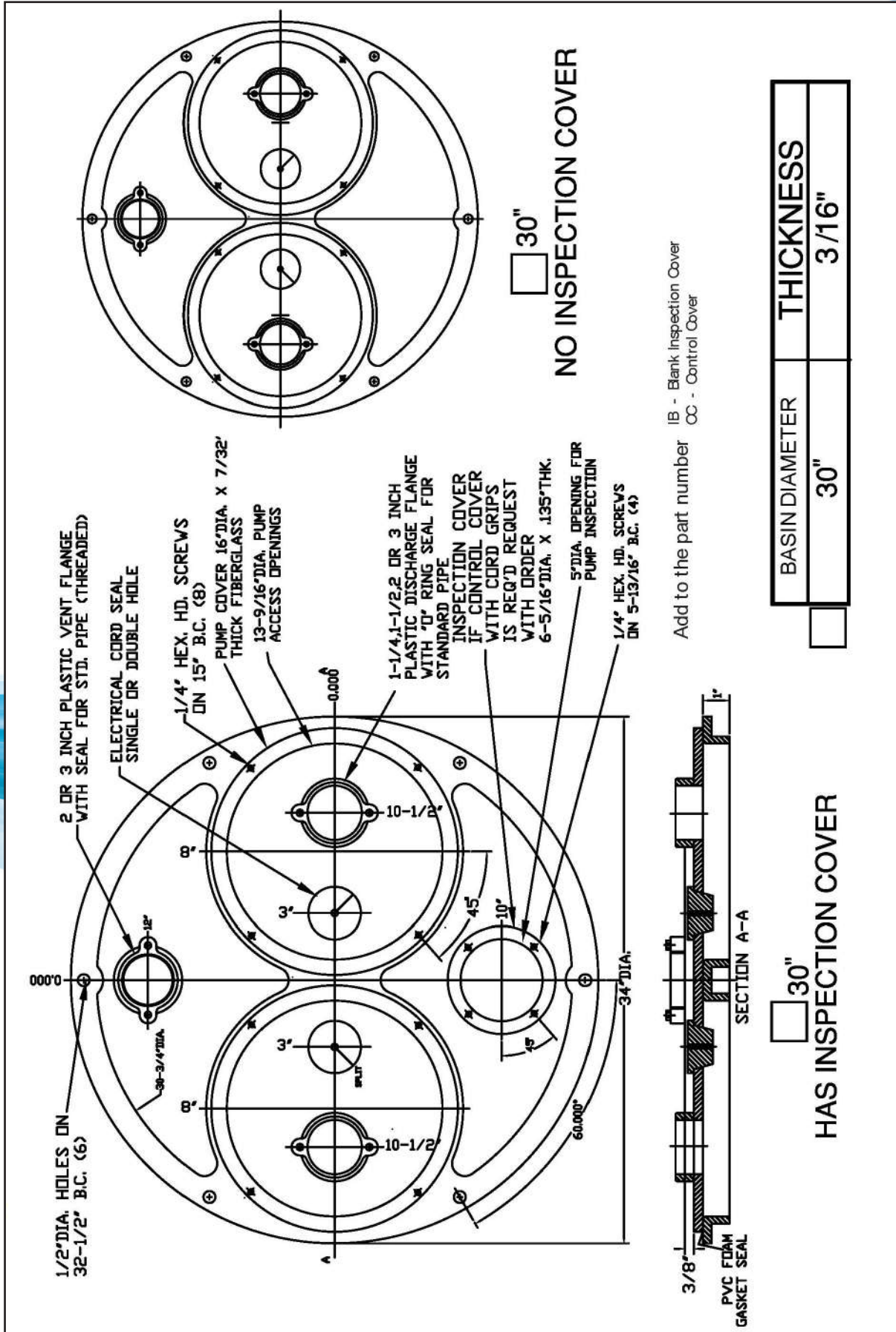
24" NO INSPECTION

BASIN DIAMETER	THICKNESS
24"	3/16"



FIBERGLASS DUPLEX COVER

30" Fiberglass Duplex Covers

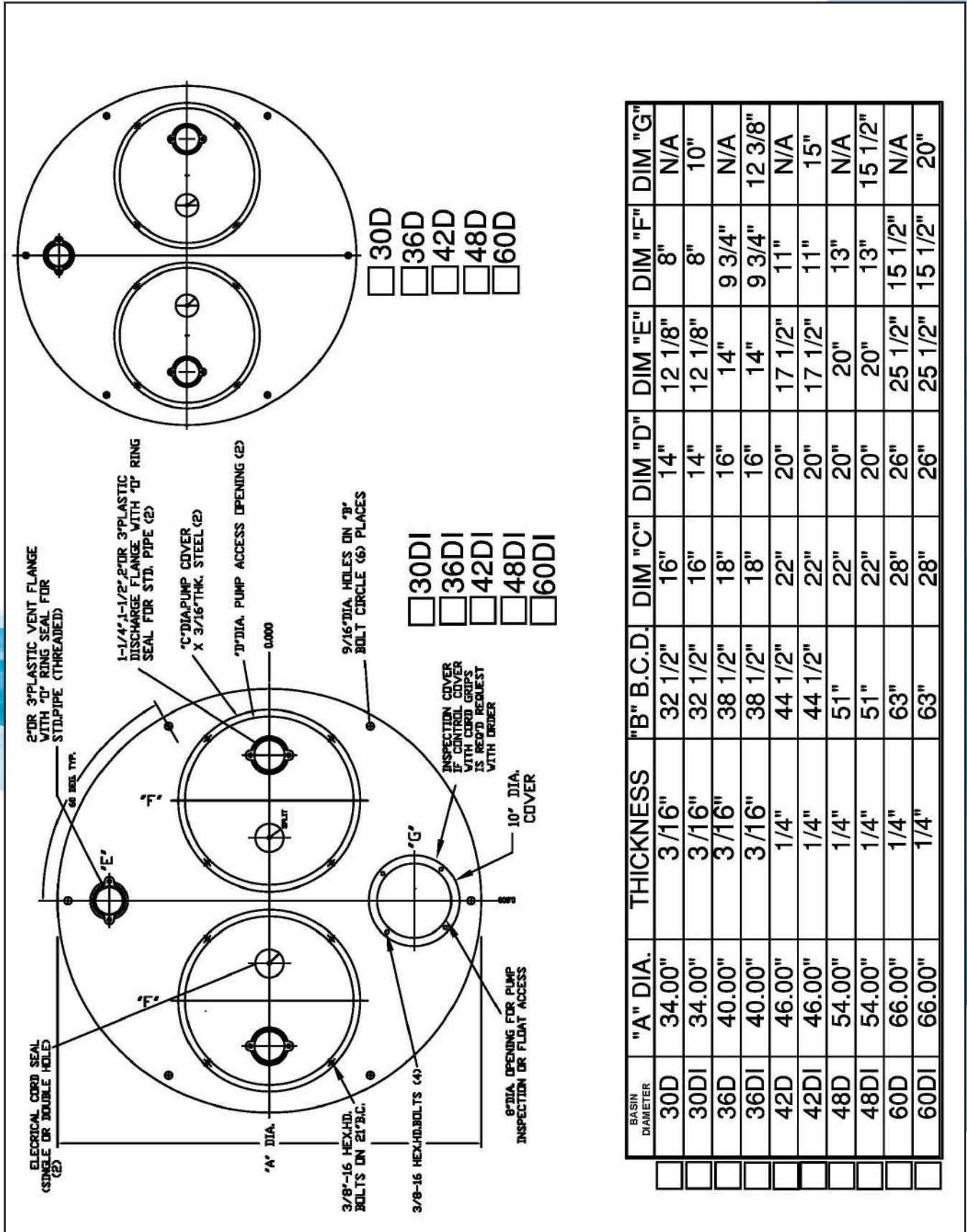


Go to www.flofab.com in Our Products Section to see the Master Spec - <http://www.arcomnet.com/masterspec/>



DUPLEX METAL COVER

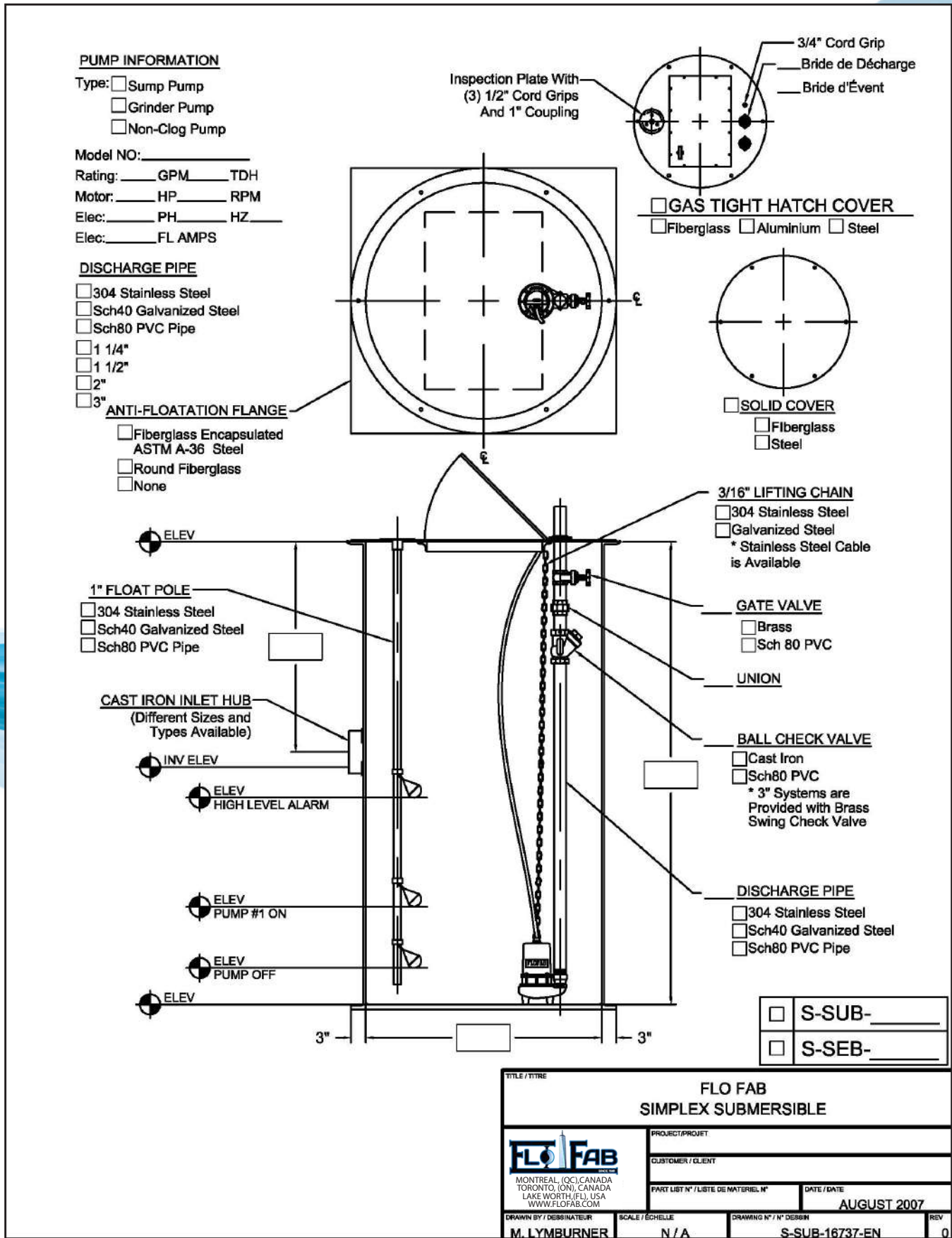
Duplex Metal Covers



BASIN DIAMETER	"A" DIA.	THICKNESS	"B" B.C.D.	DIM "C"	DIM "D"	DIM "E"	DIM "F"	DIM "G"
30D	34.00"	3/16"	32 1/2"	16"	14"	12 1/8"	8"	N/A
30DI	34.00"	3/16"	32 1/2"	16"	14"	12 1/8"	8"	10"
36D	40.00"	3/16"	38 1/2"	18"	16"	14"	9 3/4"	N/A
36DI	40.00"	3/16"	38 1/2"	18"	16"	14"	9 3/4"	12 3/8"
42D	46.00"	1/4"	44 1/2"	22"	20"	17 1/2"	11"	N/A
42DI	46.00"	1/4"	44 1/2"	22"	20"	17 1/2"	11"	15"
48D	54.00"	1/4"	51"	22"	20"	20"	13"	N/A
48DI	54.00"	1/4"	51"	22"	20"	20"	13"	15 1/2"
60D	66.00"	1/4"	63"	28"	26"	25 1/2"	15 1/2"	N/A
60DI	66.00"	1/4"	63"	28"	26"	25 1/2"	15 1/2"	20"

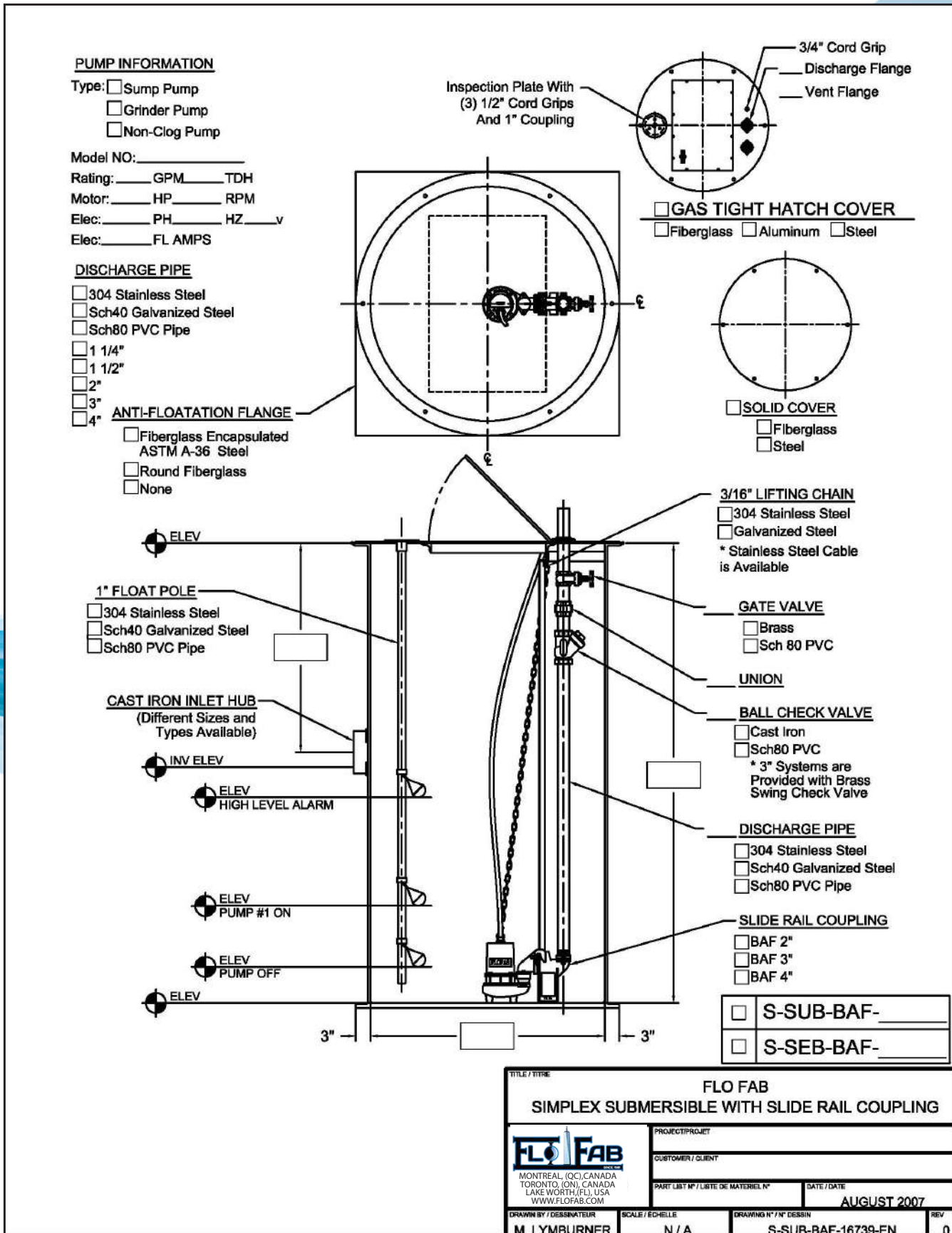


SIMPLEX SUBMERSIBLE





SIMPLEX SUBMERSIBLE





SIMPLEX SUBMERSIBLE

PUMP INFORMATION

- Type: Sump Pump
 Grinder Pump
 Non-Clog Pump

Model NO: _____
 Rating: _____ GPM _____ TDH
 Motor: _____ HP _____ RPM
 Elec: _____ PH _____ HZ _____ v
 Elec: _____ FL AMPS

DISCHARGE PIPE

- 304 Stainless Steel
 Sch40 Galvanized Steel
 Sch80 PVC Pipe
 1 1/4"
 1 1/2"
 2"
 3"

ANTI-FLOATATION FLANGE

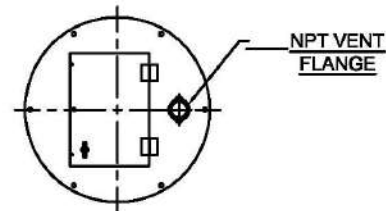
- Fiberglass Encapsulated
 ASTM A-36 Steel
 Round Fiberglass
 None

**304 STAINLESS STEEL
 FLOAT BRACKET WITH
 (3) CORD GRIPS**
 Floats

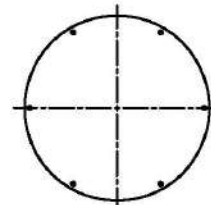
NPT ELECTRICAL COUPLING
 Enameled Steel
 Stainless Steel

INLET GROMMET
 (Different Sizes and
 Types Available)

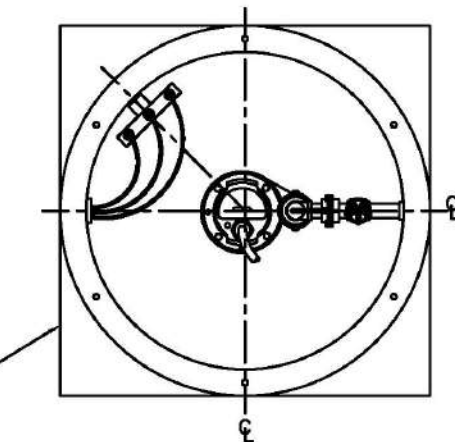
- INV ELEV
- ELEV HIGH LEVEL ALARM
- ELEV PUMP #1 ON
- ELEV PUMP OFF
- ELEV



HINGED AND LOCKABLE COVER
 Fiberglass Aluminum Steel



SOLID COVER
 Fiberglass
 Steel



**3/8" 304 STAINLESS STEEL VALVE
 EXTENSION HANDLE**

3/16" LIFTING CHAIN
 304 Stainless Steel
 Galvanized Steel
 * Stainless Steel Cable
 is Available

GATE VALVE
 Brass
 Sch 80 PVC

NPT DISCHARGE COUPLING
 Enameled Steel
 Stainless Steel

UNION

BALL CHECK VALVE
 Cast Iron
 Sch80 PVC
 * 3" Systems are
 Provided with Brass
 Swing Check Valve

DISCHARGE PIPE
 304 Stainless Steel
 Sch40 Galvanized Steel
 Sch80 PVC Pipe

3" ————— 3"

TITLE / TITRE			
FLO FAB SIMPLEX SUBMERSIBLE			
PROJECT / PROJET			
CUSTOMER / CLIENT			
PART LIST N° / LISTE DE MATERIEL N°		DATE / DATE	
		AUGUST 2007	
DRAWN BY / DESIGNATEUR		SCALE / ECHELLE	
M. LYMBURNER		N/A	
DRAWING N° / N° DESSIN		REV	
S-SUB-10148-EN		0	

- S-SUB- _____
 S-SEB- _____



SIMPLEX SUBMERSIBLE

PUMP INFORMATION

- Type: Sump Pump
 Grinder Pump
 Non-Clog Pump

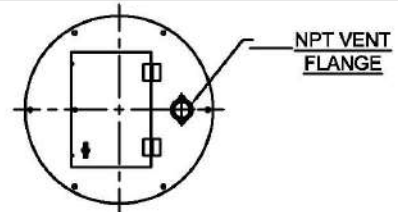
Model NO: _____
 Rating: _____ GPM _____ TDH
 Motor: _____ HP _____ RPM
 Elec: _____ PH _____ HZ _____ v
 Elec: _____ FL AMPS

DISCHARGE PIPE

- 304 Stainless Steel
 Sch40 Galvanized Steel
 Sch80 PVC Pipe
 1 1/4"
 1 1/2"
 2"
 3"
 4"

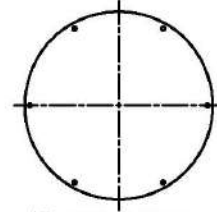
ANTI-FLOATATION FLANGE

- Fiberglass Encapsulated
 ASTM A-36 Steel
 Round Fiberglass
 None

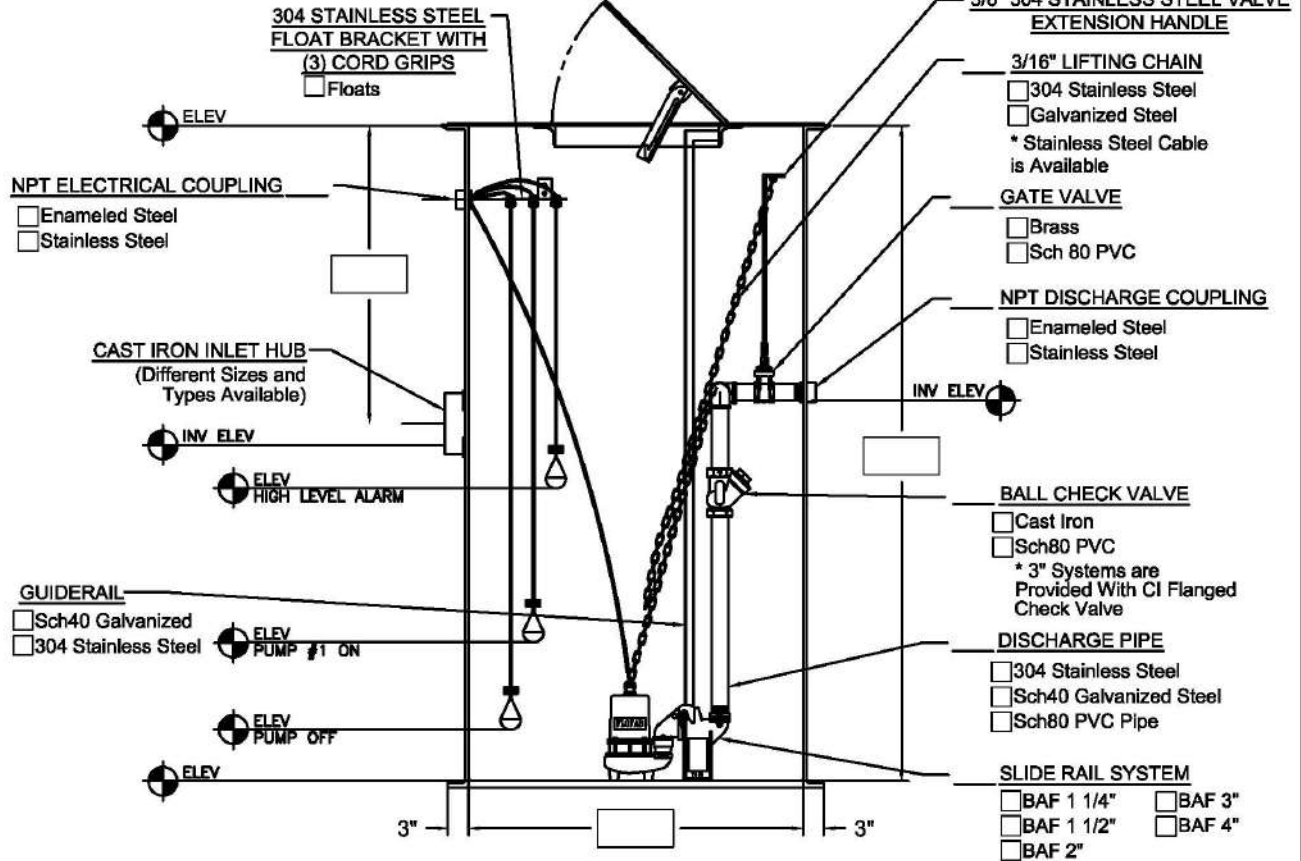


- GAS TIGHT HATCH COVER
 HINGED AND LOCKABLE COVER

- Fiberglass Aluminum Steel



- SOLID COVER
 Fiberglass
 Steel



- S-SUB-BAF- _____
 S-SEB-BAF- _____

<p>TITLE / TITRE FLO FAB SIMPLEX SUBMERSIBLE WITH SLIDE RAIL COUPLING</p>			
<p>PROJECT/PROJET</p>		<p>CUSTOMER / CLIENT</p>	
<p>PART LIST N° / LISTE DE MATERIEL N°</p>		<p>DATE / DATE</p>	
<p>MONTREAL, (QC), CANADA TORONTO, (ON), CANADA LAKE WORTH, (FL), USA WWW.FLOFAB.COM</p>		<p>AUGUST 2007</p>	
<p>DRAWN BY / DESSINATEUR M. LYMBURNER</p>	<p>SCALE / ECHILLE N / A</p>	<p>DRAWING N° / N° DESSIN S-SUB-BAF-16736-EN</p>	<p>REV 0</p>



SIMPLEX SUBMERSIBLE

PUMP INFORMATION

- Type: Sump Pump
 Grinder Pump
 Non-Clog Pump

Model NO: _____
 Rating: _____ GPM _____ TDH
 Motor: _____ HP _____ RPM
 Elec: _____ PH _____ HZ _____ V
 Elec: _____ FL AMPS

DISCHARGE PIPE

- 304 Stainless Steel
 Sch40 Galvanized Steel
 Sch80 PVC Pipe
 1 1/4"
 1 1/2"
 2"
 3"

ANTI-FLOATATION FLANGE

- Fiberglass Encapsulated
 ASTM A-36 Steel
 Round Fiberglass
 None

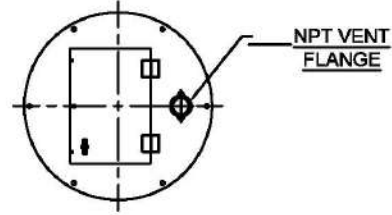
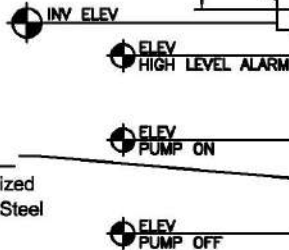
**304 STAINLESS STEEL
 FLOAT BRACKET WITH
 (3) CORD GRIPS**
 Floats

NPT ELECTRICAL COUPLING

- Enameled Steel
 Stainless Steel

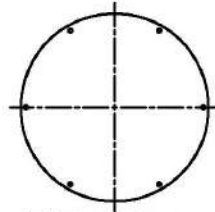
INLET GROMMET
 (Different Sizes and
 Types Available)

GUIDERAIL
 Sch40 Galvanized
 304 Stainless Steel



HINGED AND LOCKABLE COVER

- Fiberglass Aluminum Steel



- SOLID COVER**
 Fiberglass
 Steel

**3/8" 304 STAINLESS STEEL VALVE
 EXTENSION HANDLE**

- 3/16" LIFTING CHAIN**
 304 Stainless Steel
 Galvanized Steel
 * Stainless Steel Cable
 is Available

GATE VALVE

- Brass
 Sch 80 PVC

UNION

NPT DISCHARGE COUPLING

- Enameled Steel
 Stainless Steel

BALL CHECK VALVE

- Cast Iron
 Sch80 PVC
 * 3" Systems are
 Provided with Brass
 Swing Check Valve

DISCHARGE PIPE

- 304 Stainless Steel
 Sch40 Galvanized Steel
 Sch80 PVC Pipe

SLIDE RAIL SYSTEM

- BAF 3"
 BAF 4"

3" ——— 3"

TITLE / TITRE			
FLO FAB SIMPLEX SUBMERSIBLE			
PROJECT/PROJET			
CUSTOMER / CLIENT			
PART LIST N° / LISTE DE MATERIEL N°		DATE / DATE	
		AUGUST 2007	
DRAWN BY / DESSINATEUR		SCALE / ÉCHELLE	
M. LYMBURNER		N/A	
DRAWING N° / N° DESSIN		REV	
S-SUB-10144-EN			

- S-SUB-BAF- _____
 S-SEB-BAF- _____



SIMPLEX SUBMERSIBLE

PUMP INFORMATION

- Type: Sump Pump
 Grinder Pump
 Non-Clog Pump

Model NO: _____
 Rating: _____ GPM _____ TDH
 Motor: _____ HP _____ RPM
 Elec: _____ PH _____ HZ _____ V
 Elec: _____ FL AMPS

DISCHARGE PIPE

- 304 Stainless Steel
 Sch40 Galvanized Steel
 Sch80 PVC Pipe
 3"
 4"

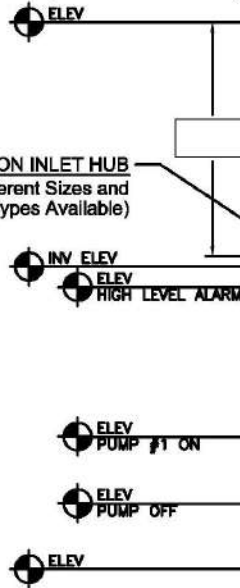
ANTI-FLOATATION FLANGE

- Fiberglass Encapsulated
 ASTM A-36 Steel
 Round Fiberglass
 None

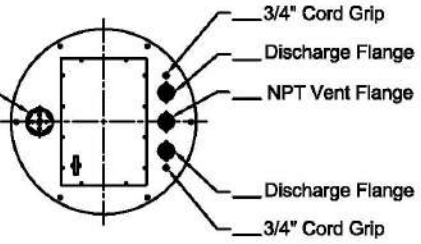
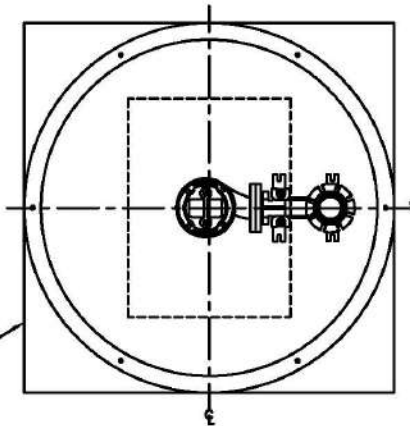
1" FLOAT POLE

- 304 Stainless Steel
 Sch40 Galvanized Steel
 Sch80 PVC Pipe

CAST IRON INLET HUB
 (Different Sizes and
 Types Available)

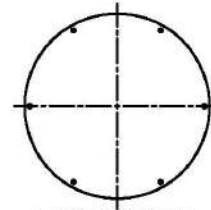


Inspection Plate With
 (4) 1/2" Cord Grips
 And 1" Coupling



GAS TIGHT HATCH COVER

- Fiberglass Aluminum Steel



SOLID COVER

- Fiberglass
 Steel

DISCHARGE PIPE

- 304 Stainless Steel
 Sch40 Galvanized Steel
 Sch80 PVC Pipe

3/16" LIFTING CHAIN

- 304 Stainless Steel
 Galvanized Steel
 * Stainless Steel Cable
 is Available

PLUG VALVE

- * Gate Valves Also Available
 3"
 4"

**CAST IRON
 SWING CHECK VALVE**

- 3"
 4"

GUIDERAIL

- Sch40 Galvanized
 304 Stainless Steel

SLIDE RAIL FLANGE

- BAF 3"
 BAF 4"

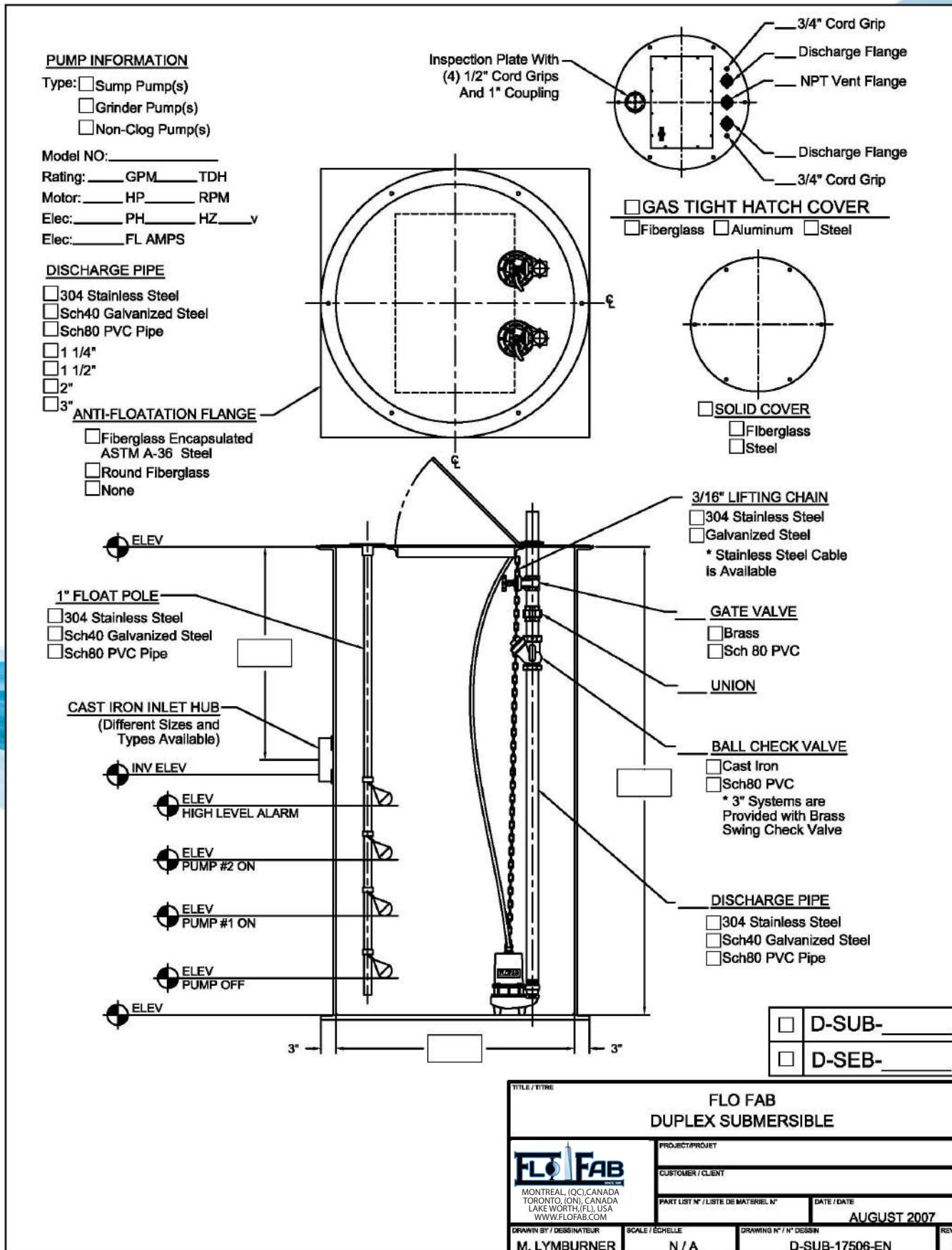
S-SUB-BAF-_____

S-SEB-BAF-_____

TITLE / TITRE FLO FAB SIMPLEX SUBMERSIBLE WITH SLIDE RAIL COUPLING			
PROJECT/PROJET			
CUSTOMER / CLIENT			
PART LIST N° / LISTE DE MATERIEL N°		DATE / DATE AUGUST 2007	
DRAWN BY / DESSINATEUR M. LYMBURNER		SCALE / ECHELLE N/A	
DRAWING N° / N° DESSIN D-SUB-BAF-16845-EN		REV 0	

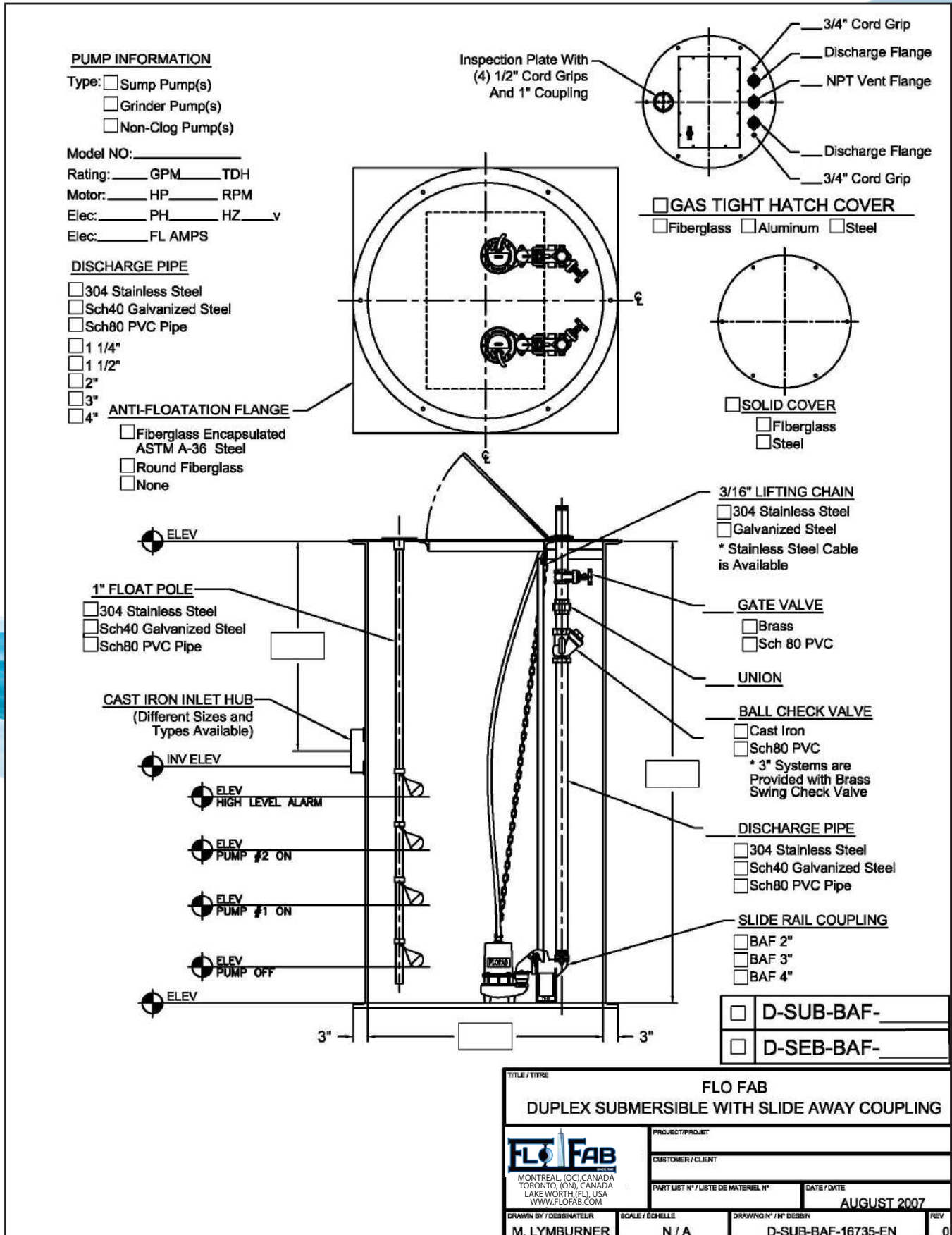


DUPLEX SUBMERSIBLE



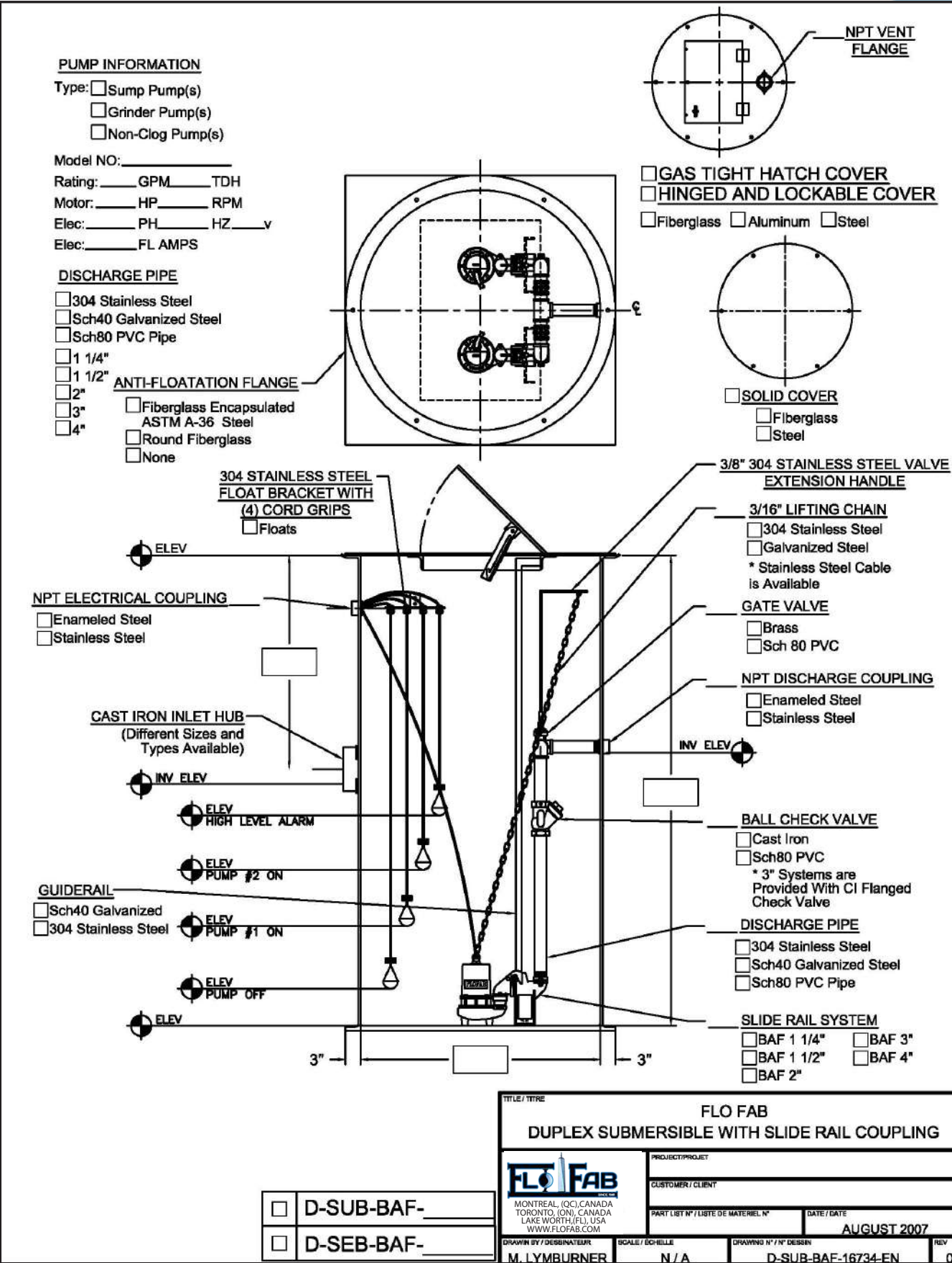


DUPLEX SUBMERSIBLE



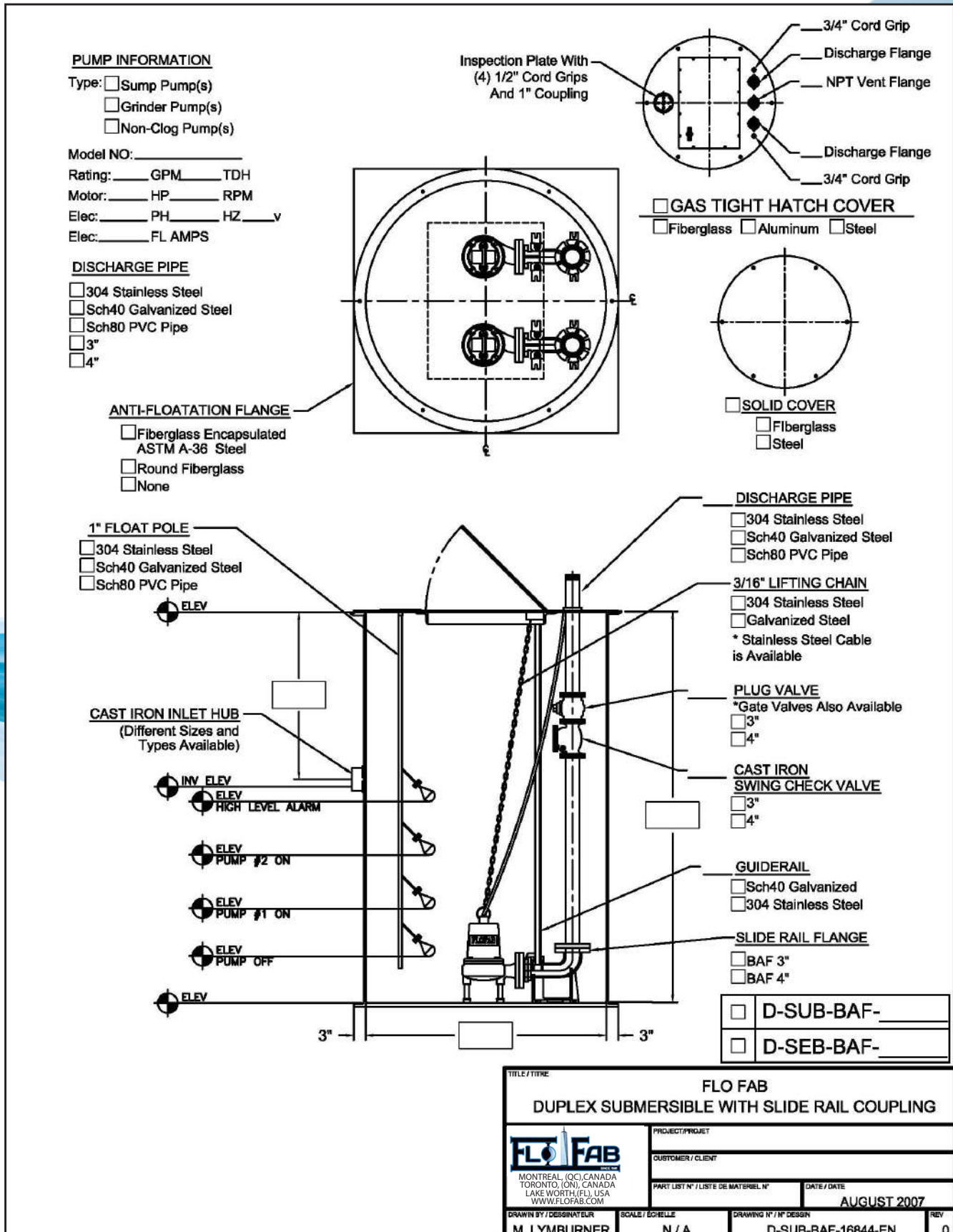


DUPLEX SUBMERSIBLE



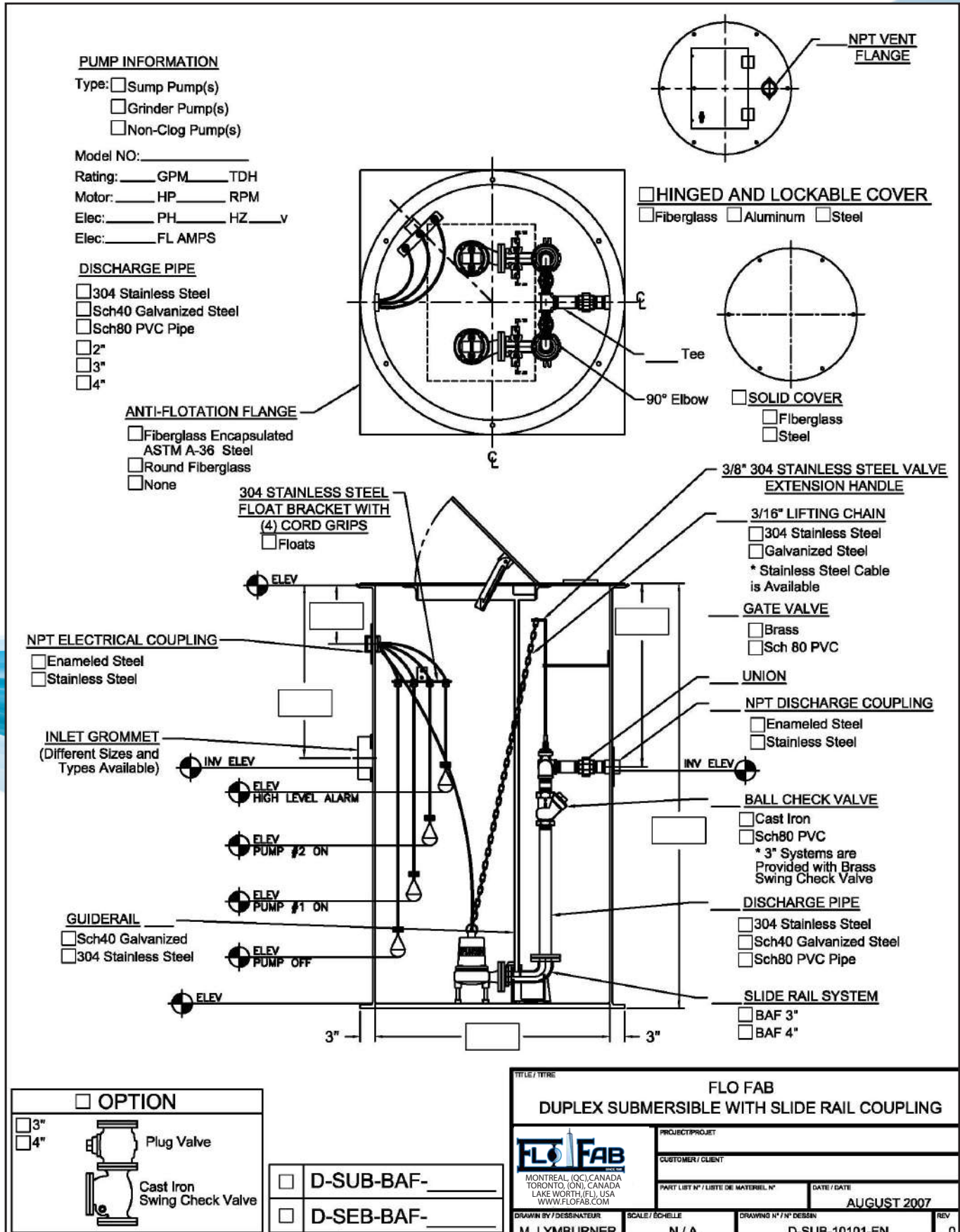


DUPLEX SUBMERSIBLE





DUPLEX SUBMERSIBLE





Standard for Simplex Submersible Panels

A NEMA 1 enclosure, including a main disconnect switch, one set of HRC fuses for short-circuit protection, one magnetic starter, one transformer with primary and secondary fuses (for system other than 120v), 120v control circuit, provision to connect three N.O. floats (FL1: stop float, FL2: pump start, FL3: high water level), one "Hand Off Auto" selector switch, "Power on", "Pump run", "High water level" pilot lights, audible alarm with silencer and test and dry contact for remote alarm.

NEMA Type 1
General Purpose

To prevent accidental contact with enclosed apparatus. Suitable for application Indoors, where not exposed to unusual service conditions.

NEMA Type 2
Driptight

To prevent accidental contact with enclosed apparatus. Excludes falling moisture or dirt.

NEMA Type 4
Watertight

Designed to exclude water applied in form of hose stream. To protect against steam of water during cleaning operations, etc.

NEMA Type 4X
Corrosion
Resistant

Designed to exclude water supplied in form of hose stream and used in areas where serious corrosion problem exists.

NEMA Type 12
Industrial Use

Excludes dust, lint, fibers and flyings or oil or coolant seepage.



SUBMERSIBLES

Standard for Simplex Submersible Panels

OPT#	DESCRIPTION
1	Enclosure Eemac/Nema 2 – Indoor – Falling water & light splashing
2	Inner door for tamper proofing any enclosure
3	Enclosure Eemac/Nema 12 – Dust tight
4	Enclosure Eemac/Nema 4 – Outdoor – Protection against hose directed water
4A	Enclosure Eemac/Nema 4X – Same as Item 4 but fiberglass corrosion proof
4B	Enclosure Eemac/Nema 4X – Same as item 4 but stainless steel painted corrosion proof (brushed finish available)
5	Alarm relay for remote indication
6	Alarm block (buzzer-silence selector-pilot light)
6A	Alarm block – as above but with silence push button
7	Motor overload (over current) indication per pump (pilot light)
7A	As above but with dry contact for remote indication
8	Seal leak fault per pump (conductivity relay with pilot light)
8A	As above but with dry contact for remote indication
9	Motor overheat fault indication per pump (pilot light)
9A	As above but with dry contact for remote indication
10	Pilot light for various function
11	Alarm bell
12	Elapsed time meter (Nema 1) per pump
13	Intrinsic safe relay (use when floats or electrodes are located in explosive medium)
14	Pump control using conductivity relay and electrodes
15	Loss of phase fault indication (pilot light) on incoming power (use with 3 phase supply)
17	Globe alarm (25 watt-non flashing-shatter proof)
18	Pump protection with breaker on single phase system - Max. 40 Amps - (branch circuit protection device rated – Type E rating)
19	Heater element + thermostat
22	Installation of capacitor pack in panel (for starting single phase pump)
24	Fault indication (Relay + pilot light)
31	Stop/Start with one float
32	Stop/Start with two floats
35	120V Supply for external load (Specify load)
36	Emergency stop push button
38	Low level indication (pilot light)
38A	Low level indication – shutdown with remote indication
39	Low low level indication (pilot light)
39A	Low low level indication – shut down with remote indication
40	Additional stop-start push button per pump
41	Provision for connection of solenoid
43	Remote start/stop signal
43A	24 Volt start signal
44	Lamp test push button
44A	Push to test push button
46	On delay timer (use to avoid nuisance tripping on certain faults)
47	Off delay timer

Go to www.flofab.com in Our Products Section to see the Master Spec - <http://www.arcomnet.com/masterspec/>



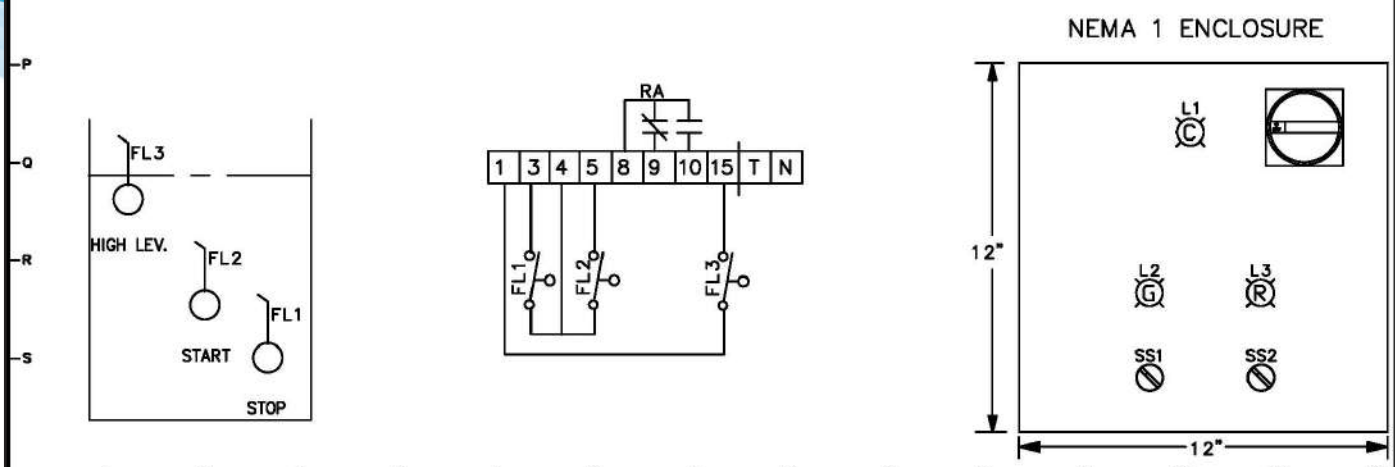
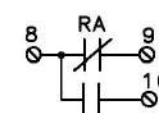
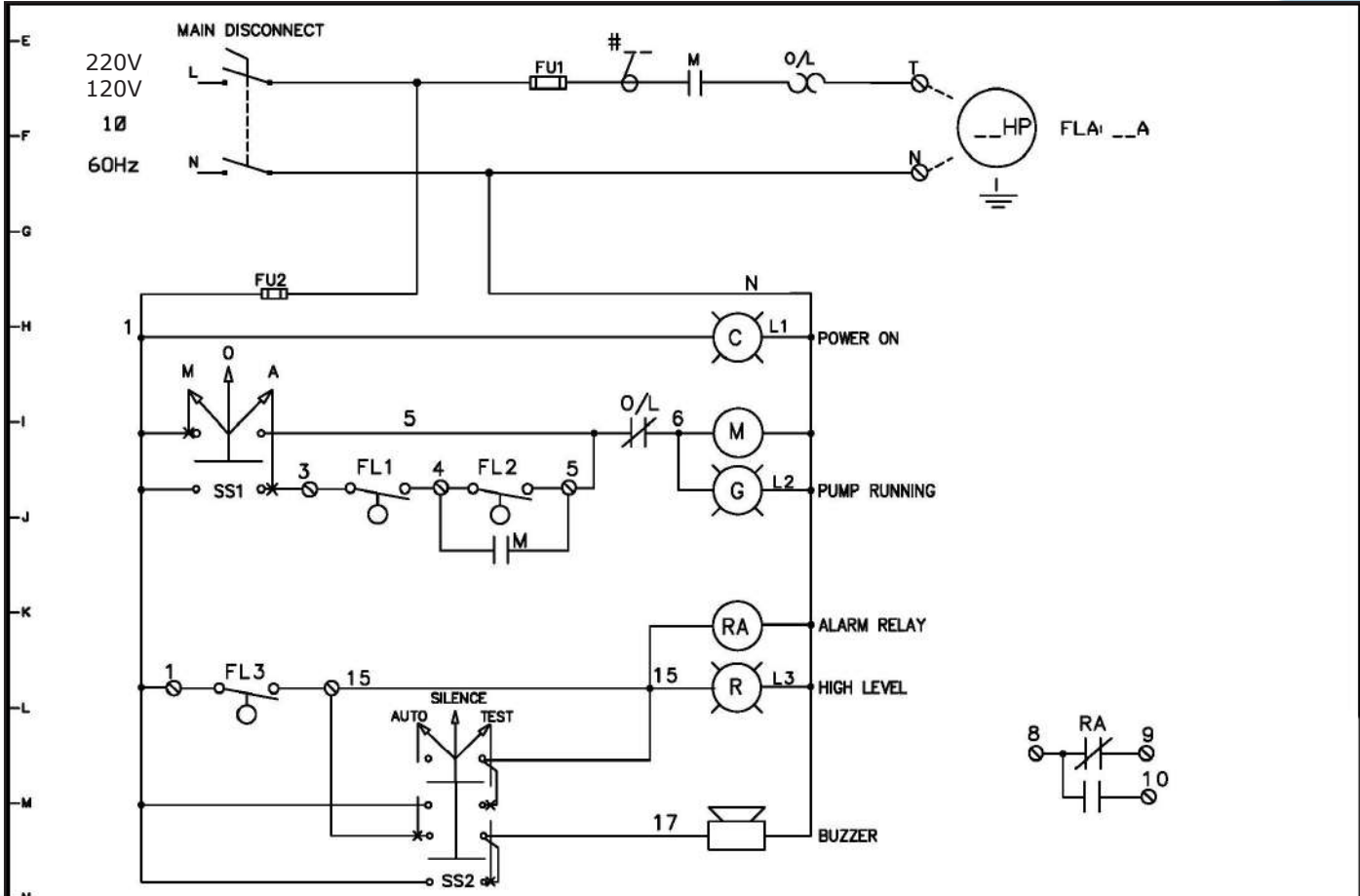
SUBMERSIBLES

Standard for Simplex Submersible Panels

OPT#	DESCRIPTION
48	Two positions selector
55	Indication only of pump failure to start
60	Float failure alarm
63	Ammeter – CT operated – for one pump
64	Voltmeter for system voltage – Direct read
65	Pump stop indication
67	Fault with latching relay and reset button
68	Remote signal for low of power
69	Current detection relay per pump (to confirm pump running)
70	Loss of phase and phase reversal detection and indication (three phase system)
72	Timer for minimum run
73	Timer for maximum run
74	General alarm indication with relay
77	Lightning arrestor
78	Extra for flashing function on pilot light or globe
79	Ground fault indication with pilot light (no stopping of pump)
80	Duplex receptacle – 120 V – 100Watts
81	Motor circuit interrupter (instead of fuses) – Max. 40 Amps – Rated as branch circuit protection device – Type E
81A	Moulded case circuit protector (replaces fuses)
82	Repeat cycle timer
84	Telephone dialler with battery back-up
85	Push button for misc. sequence (describe sequence)
86	Alarm high level
87	Pump start counter
88	Variable freq. drive for variable speed pumps
89	Line or load reactor for above
91	Stop pump on low level in manual mode
93	Horn
95	Auto reset of latched faults on resumption of power
99	Blown fuse indication for single phase system
101A	Circuit breaker protection for primary and secondary of transformer
101B	Circuit breaker protection for secondary of transformer
103	Soft start for reduced voltage starting
105	Forced ventilation (Louvre-Fan-Thermostat)
106	Reversing starter
108	Through the door overload reset buttons
109	Tank alert
112	U/L approval of panel
113	Provision for padlock on enclosure



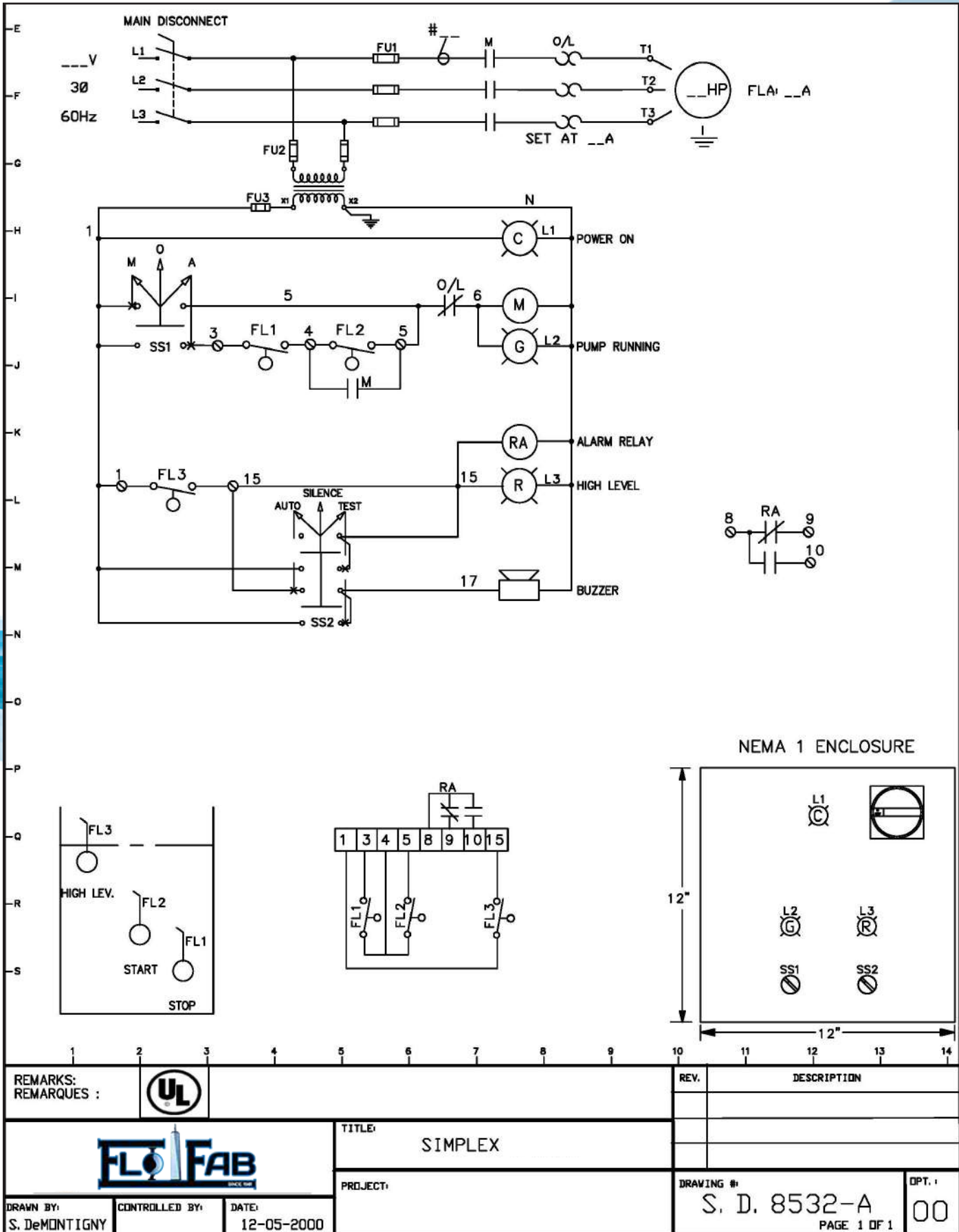
SIMPLEX SUBMERSIBLES



REMARKS: REMARQUES :										REV.		DESCRIPTION	
										TITLE:		SIMPLEX	
DRAWN BY: S. DeMONTIGNY										CONTROLLED BY:		DATE: 12-05-2000	
PROJECT:										DRAWING #:		S. D. 8506-A	
										OPT. #:		00	
												PAGE 1 OF 1	



SIMPLEX SUBMERSIBLES



REMARKS: REMARQUES :						REV.	DESCRIPTION
			TITLE: SIMPLEX				
DRAWN BY: S. DeMONTIGNY			CONTROLLED BY:			DRAWING #: S. D. 8532-A	
DATE: 12-05-2000						OPT. 1: 00	
						PAGE 1 OF 1	



Standard for Duplex Submersible Panels

A NEMA 1 enclosure, including a main disconnect switch, two sets of HRC fuses for short-circuit protection, two magnetic starters, one transformer with primary and secondary fuses (for system other than 120v), 120v control circuit, alternating circuit, provision to connect four N.O. floats (FL1: stop float, FL2: lead pump start, FL3: lag pump start, FL4: high water level), automatic transfer to lag pump in case of lead pump overload, two "Hand Off Auto" selectors switches, "Power on", "Pump 1 run", "Pump 2 run", "High water level", pilot lights, audible alarm with silencer and test and dry contact for remote alarm.

NEMA Type 1
General Purpose

To prevent accidental contact with enclosed apparatus. Suitable for application Indoors, where not exposed to unusual service conditions.

NEMA Type 2
Driptight

To prevent accidental contact with enclosed apparatus. Excludes falling moisture or dirt.

NEMA Type 4
Watertight

Designed to exclude water applied in form of hose stream. To protect against steam of water during cleaning operations, etc.

NEMA Type 4X
Corrosion
Resistant

Designed to exclude water supplied in form of hose stream and used in areas where serious corrosion problem exists.

NEMA Type 12
Industrial Use

Excludes dust, lint, fibers and flyings or oil or coolant seepage.



SUBMERSIBLES

Standard for Duplex Submersible Panels

OPT#	DESCRIPTION
3	Enclosure Eemac/Nema 12 – Dust tight
4	Enclosure Eemac/Nema 4 – Outdoor – Protection against hose directed water
4A	Enclosure Eemac/Nema 4X – Same as Item 4 but fibreglass corrosion proof
4B	Enclosure Eemac/Nema 4X – Same as item 4 but stainless steel painted corrosion proof (brushed finish available)
5	Alarm relay for remote indication
6	Alarm block (buzzer-silence selector-pilot light)
6A	Alarm block – as above but with silence push button
7	Motor overload (over current) indication per pump (pilot light)
7A	As above but with dry contact for remote indication
8	Seal leak fault per pump (conductivity relay with pilot light)
8A	As above but with dry contact for remote indication
9	Motor overheat fault indication per pump (pilot light)
9A	As above but with dry contact for remote indication
10	Pilot light for various function
11	Alarm bell
12	Elapsed time meter (Nema 1) per pump
13	Intrinsic safe relay (use when floats or electrodes are located in explosive medium)
14	Pump control using conductivity relay and electrodes
15	Loss of phase fault indication (pilot light) on incoming power (use with 3 phase supply)
17	Globe alarm (25 watt-non flashing-shatter proof)
18	Pump protection with breaker on single phase system - Max. 40 Amps - (branch circuit protection device rated – Type E rating)
19	Heater element + thermostat
20	Time clock (use for alternating pumps – Specify 12 hours/24 hours/weekly)
21	Main disconnect
21A	Disconnect for each pump controlled by panel
22	Installation of capacitor pack in panel (for starting single phase pumps)
23	Alternating relay (Electro-Mech)
24	Fault indication (Relay + pilot light)
25	Alternating relay - Electronic
26	Alternator - Mechanical
27	Programmable controller
31	Stop/Start with one float
32	Stop/Start with two floats
35	120V Supply for external load (Specify load)
36	Emergency stop push button
38	Low level indication (pilot light)
38A	Low level indication – shutdown with remote indication
39	Low low level indication (pilot light)
39A	Low low level indication – shut down with remote indication
40	Additional stop-start push button per pump
41	Provision for connection of solenoid
43	Remote start/stop signal
43A	24 Volt start signal
44	Lamp test push button
44A	Push to test push button

Go to www.flofab.com in Our Products Section to see the Master Spec - <http://www.arcomnet.com/masterspec/>



SUBMERSIBLES

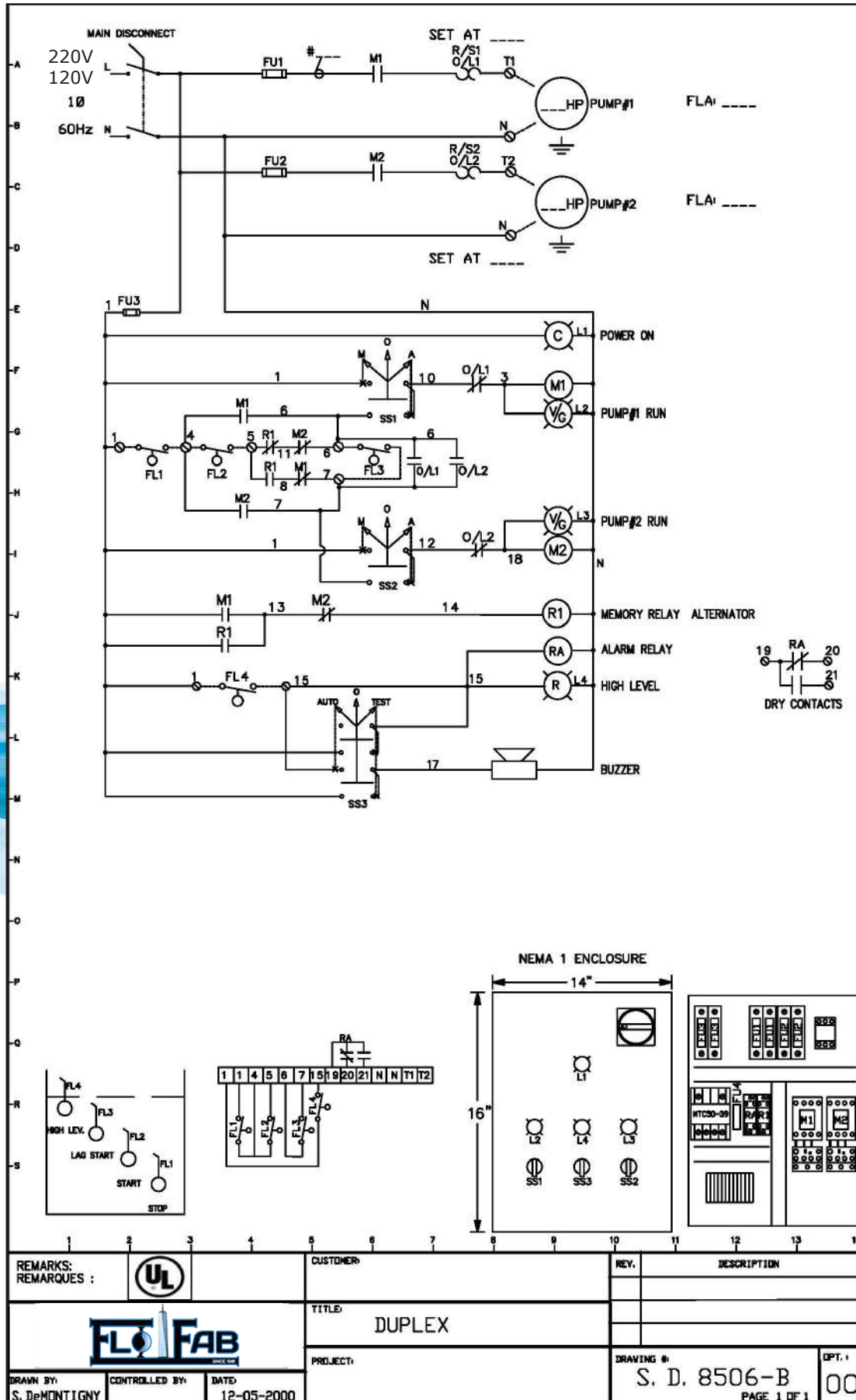
Standard for Duplex Submersible Panels

OPT#	DESCRIPTION
47	Off delay timer
48	Two positions selector
55	Indication only of pump failure to start
60	Float failure alarm
62	Lead pump selector switch
63	Ammeter – CT operated – for two pumps
64	Voltmeter for system voltage – Direct read
65	Pump stop indication
67	Fault with latching relay and reset button
68	Remote signal for low of power
69	Current detection relay per pump (to confirm pump running)
70	Loss of phase and phase reversal detection and indication (three phase system)
72	Timer for minimum run
73	Timer for maximum run
74	General alarm indication with relay
75	Lag pump demand indication (pilot light)
77	Lightning arrestor
78	Extra for flashing function on pilot light or globe
79	Ground fault indication with pilot light (no stopping of pump)
80	Duplex receptacle – 120 V – 100Watts
81	Motor circuit interruptor (instead of fuses) – Max. 40 Amps – Rated as branch circuit protection device – Type E
81A	Moulded case circuit protector (replaces fuses)
82	Repeat cycle timer
84	Telephone dialler with battery back-up
85	Push button for misc. sequence (describe sequence)
86	Alarm high level
86A	Start lag pump on high level
87	Pump start counter
88	Variable freq. drive for variable speed pumps
89	Line or load reactor for above
91	Stop pump on low level in manual mode
93	Horn
95	Auto reset of latched faults on resumption of power
99	Blown fuse indication for single phase system
100	Incoming power from two sources with one control transformer
100A	Incoming power from two sources with two control transformers
101A	Circuit breaker protection for primary and secondary of transformer
101B	Circuit breaker protection for secondary of transformer
103	Soft start for reduced voltage starting
104	Mini-Cas II for seal and temperature fault on Flyght pumps (one per pump)
105	Forced ventilation (Louvre-Fan-Thermostat)
106	Reversing starter
108	Through the door overload reset buttons
109	Tank alert
112	U/L approval of panel
113	Provision for padlock on enclosure

Go to www.flofab.com in Our Products Section to see the Master Spec - <http://www.arcomnet.com/masterspec/>



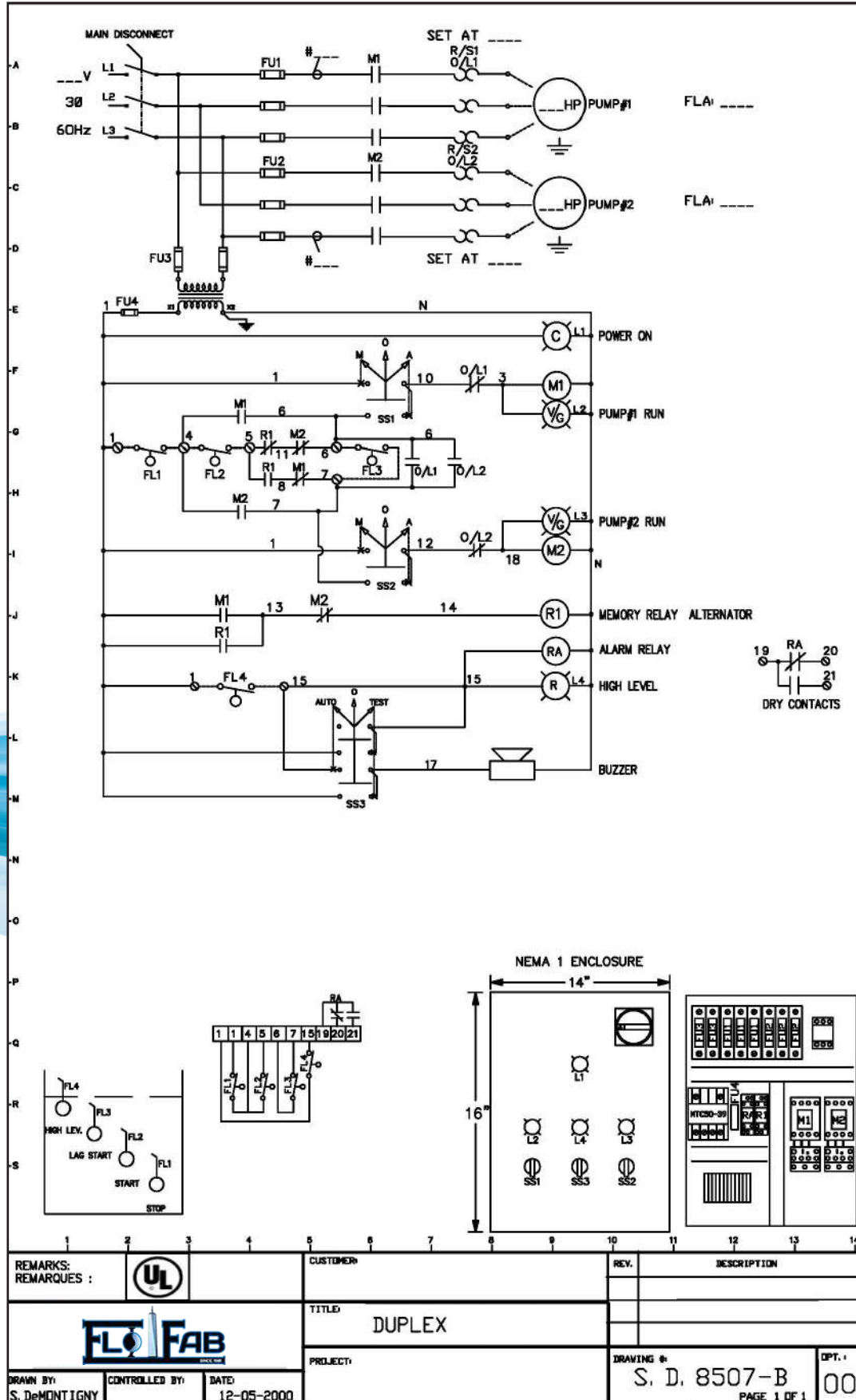
DUPLEX SUBMERSIBLE



Go to www.flofab.com in Our Products Section to see the Master Spec - <http://www.arcomnet.com/masterspec/>

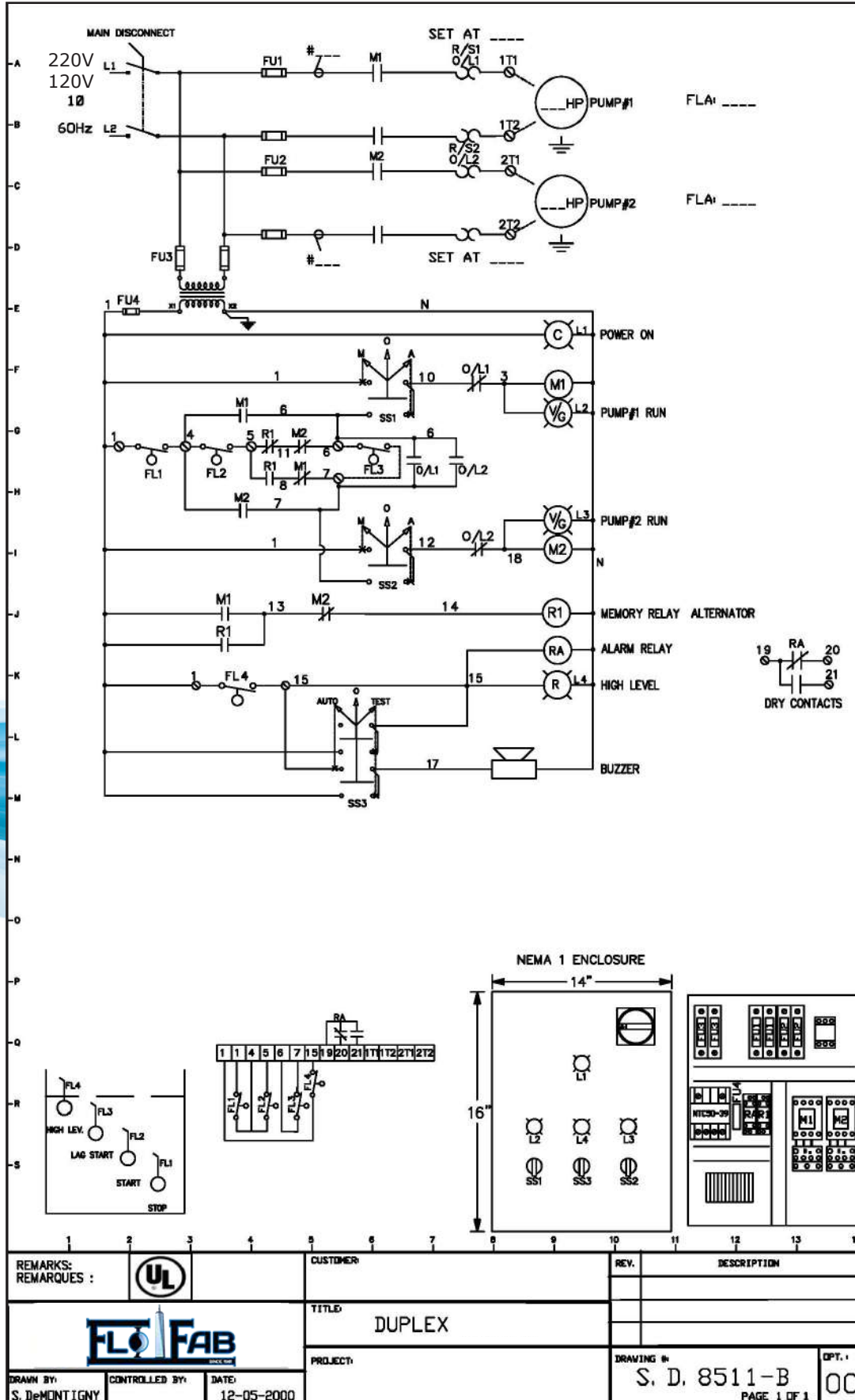


DUPLEX SUBMERSIBLE





DUPLEX SUBMERSIBLE



REMARKS: REMARQUES :	UL	CUSTOMER:	REV.	DESCRIPTION
FLO FAB		TITLE: DUPLIX		
DRAWN BY: S. DeMONTIGNY	CONTROLLED BY:	DATE: 12-05-2000	DRAWING #: S. D. 8511-B	OPT. 1 00
			PAGE 1 OF 1	

We are proud supplier for the following completed and on going projects :



250 N 10th Avenue North
250 N 10th St, Brooklyn,
NY, USA



Allegria Hotel
80 W Broadway,
Long Beach, NY, USA



EvoloS Tower
121 de la Pointe N Road-
Verdun, Québec, Canada



Bogle Vineyards
37783 Co Rd 144,
Clarksburg, CA,

Sales and Service:

Quebec, Canada
Tel. : (450) 621-2995
Fax : (450) 621-4995

Lake Worth
Florida, USA
33467-5749

Toronto, Canada
Tel. : +1 (647) 544-2995

www.flofab.com

SERVICE 24/7 : parts@flofab.com

