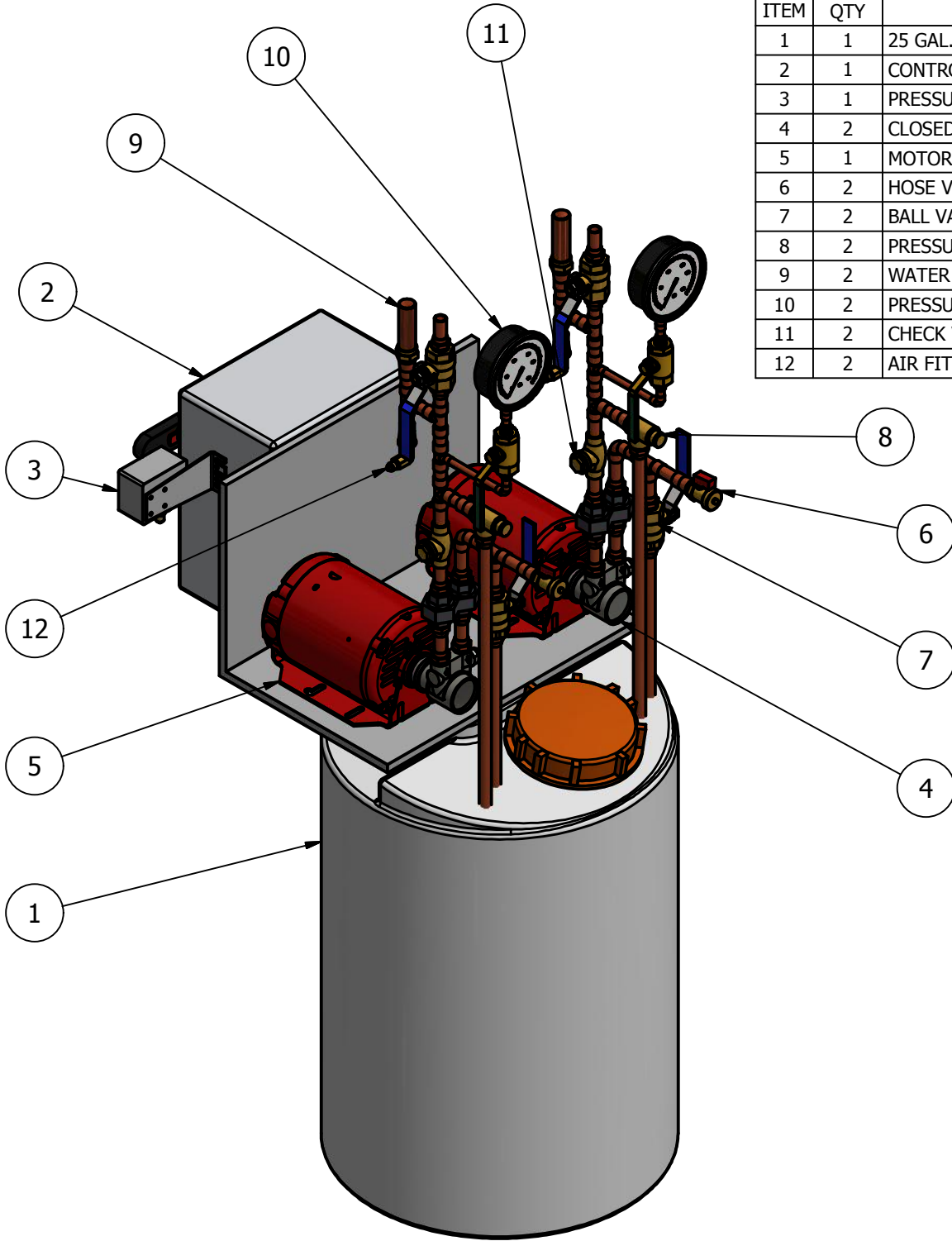



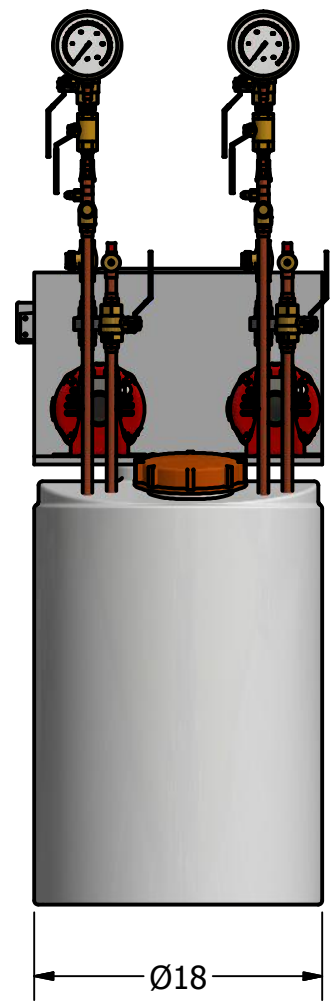
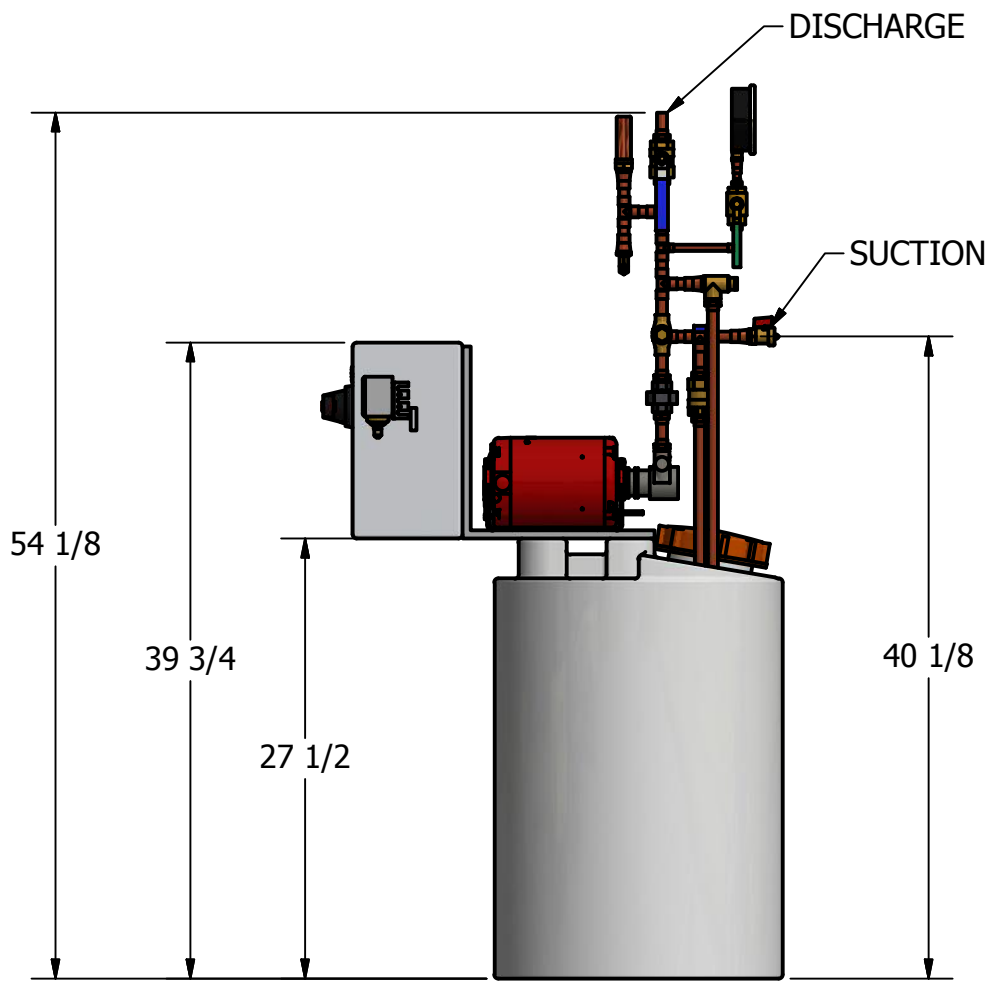
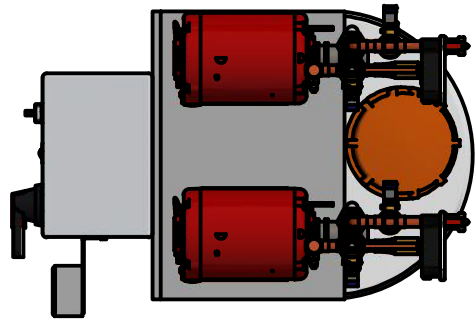
PARTS LIST

ITEM	QTY	DESCRIPTION
1	1	25 GAL. POLYETHYLENE TANK
2	1	CONTROL PANEL
3	1	PRESSURE SWITCH
4	2	CLOSED-COUPLED ROTARY VANE
5	1	MOTOR
6	2	HOSE VALVE
7	2	BALL VALVE
8	2	PRESSURE RELIEF VALVE
9	2	WATER HAMMER ARRESTER
10	2	PRESSURE GAUGE
11	2	CHECK VALVE
12	2	AIR FITTING



THIS DRAWING MUST BE SENT WITH PURCHASE ORDER

DESIGNER G. BOLDUC	DATE 06/08/2016	TITLE / TITRE DUPLIX GLYCOL SYSTEM 25 GAL.	
		PROJECT / PROJET	
		CUSTOMER / CLIENT	
MONTREAL, (QC), CANADA TORONTO, (ON), CANADA LAKE WORTH, (FL), USA WWW.FLOFAB.COM		QUOTE	TAG
DWG NO.		REV	
SCALE / ECHELLE 1/8		JOB NO.	
		SHEET 1 OF 2	



THIS DRAWING MUST BE SENT WITH PURCHASE ORDER

DESIGNER
G. BOLDUC

DATE
06/08/2016

TITLE / TITRE
DUPLIX GLYCOL SYSTEM 25 GAL.



PROJECT / PROJET

CUSTOMER / CLIENT

MONTREAL, (QC), CANADA
TORONTO, (ON), CANADA
LAKE WORTH, (FL), USA
WWW.FLOFAB.COM

QUOTE TAG

DWG NO. DUPLEX GLYCOL SYSTEM 25 GAL. REV 1

SCALE / ECHELLE 1/12 JOB NO. SHEET 2 OF 2