
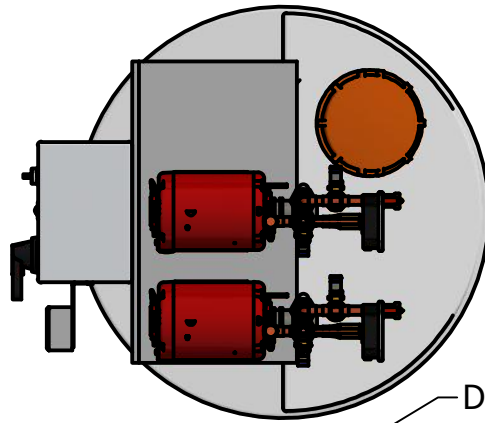


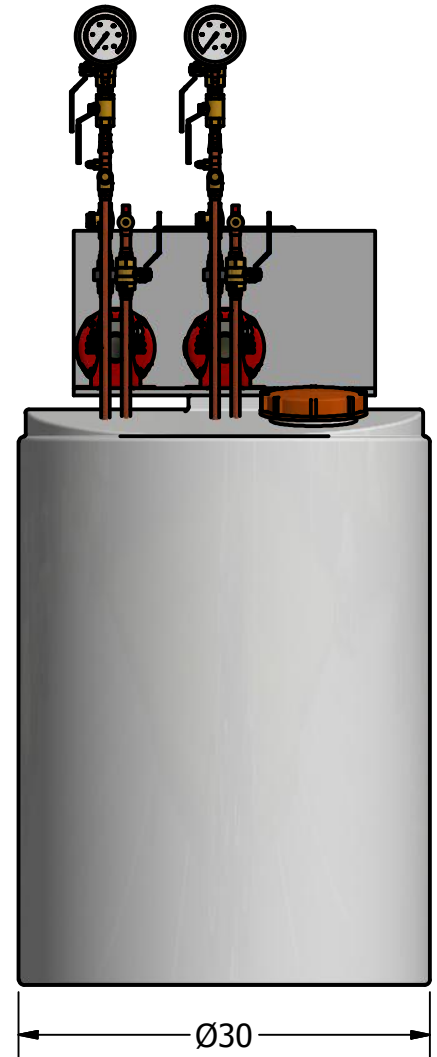
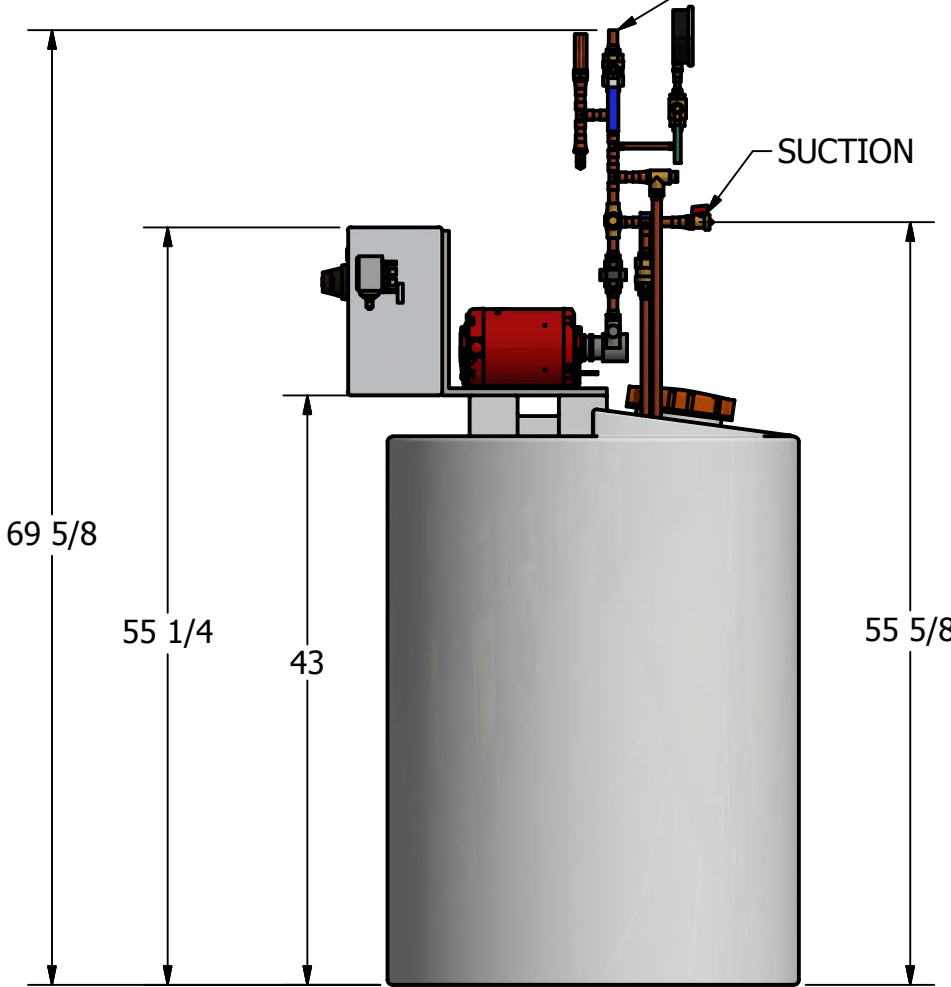
PARTS LIST		
ITEM	QTY	DESCRIPTION
1	1	200 GAL. POLYETHYLENE TANK
2	1	CONTROL PANEL
3	1	PRESSURE SWITCH
4	2	CLOSED-COUPLED ROTARY VANE
5	1	MOTOR
6	2	HOSE VALVE
7	2	BALL VALVE
8	2	PRESSURE RELIEF VALVE
9	2	WATER HAMMER ARRESTER
10	2	PRESSURE GAUGE
11	2	CHECK VALVE
12	2	AIR FITTING

THIS DRAWING MUST BE SENT WITH PURCHASE ORDER


DESIGNER G. BOLDUC	DATE 06/08/2016	TITLE / TITRE DUPLIX GLYCOL SYSTEM 200 GAL.	
		PROJECT / PROJET	
		CUSTOMER / CLIENT	
MONTREAL, (QC), CANADA TORONTO, (ON), CANADA LAKE WORTH, (FL), USA WWW.FLOFAB.COM		QUOTE	TAG
DWG NO.		REV	
SCALE / ECHELLE		JOB NO.	
1/10		1	
			SHEET 1 OF 2



DISCHARGE



THIS DRAWING MUST BE SENT WITH PURCHASE ORDER

DESIGNER G. BOLDUC	DATE 06/08/2016	TITLE / TITRE DUPLIX GLYCOL SYSTEM 100 GAL.	
		PROJECT / PROJET	
		CUSTOMER / CLIENT	
MONTREAL, (QC), CANADA TORONTO, (ON), CANADA LAKE WORTH, (FL), USA WWW.FLOFAB.COM		QUOTE	TAG
DWG NO.		DUPLEX GLYCOL SYSTEM 100 GAL.	REV 1
SCALE / ECHELLE 1/14		JOB NO.	SHEET 2 OF 2