
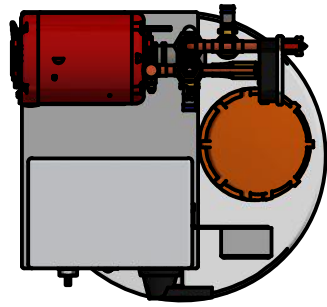


PARTS LIST		
ITEM	QTY	DESCRIPTION
1	1	25 GAL. POLYETHYLENE TANK
2	1	CONTROL PANEL
3	1	PRESSURE SWITCH
4	1	CLOSED-COUPLED ROTARY VANE
5	1	MOTOR
6	1	BALL VALVE
7	1	HOSE VALVE
8	1	PRESSURE RELIEF VALVE
9	1	PRESSURE GAUGE
10	1	WATER HAMMER ARRESTER
11	1	AIR FITTING
12	1	CHECK VALVE

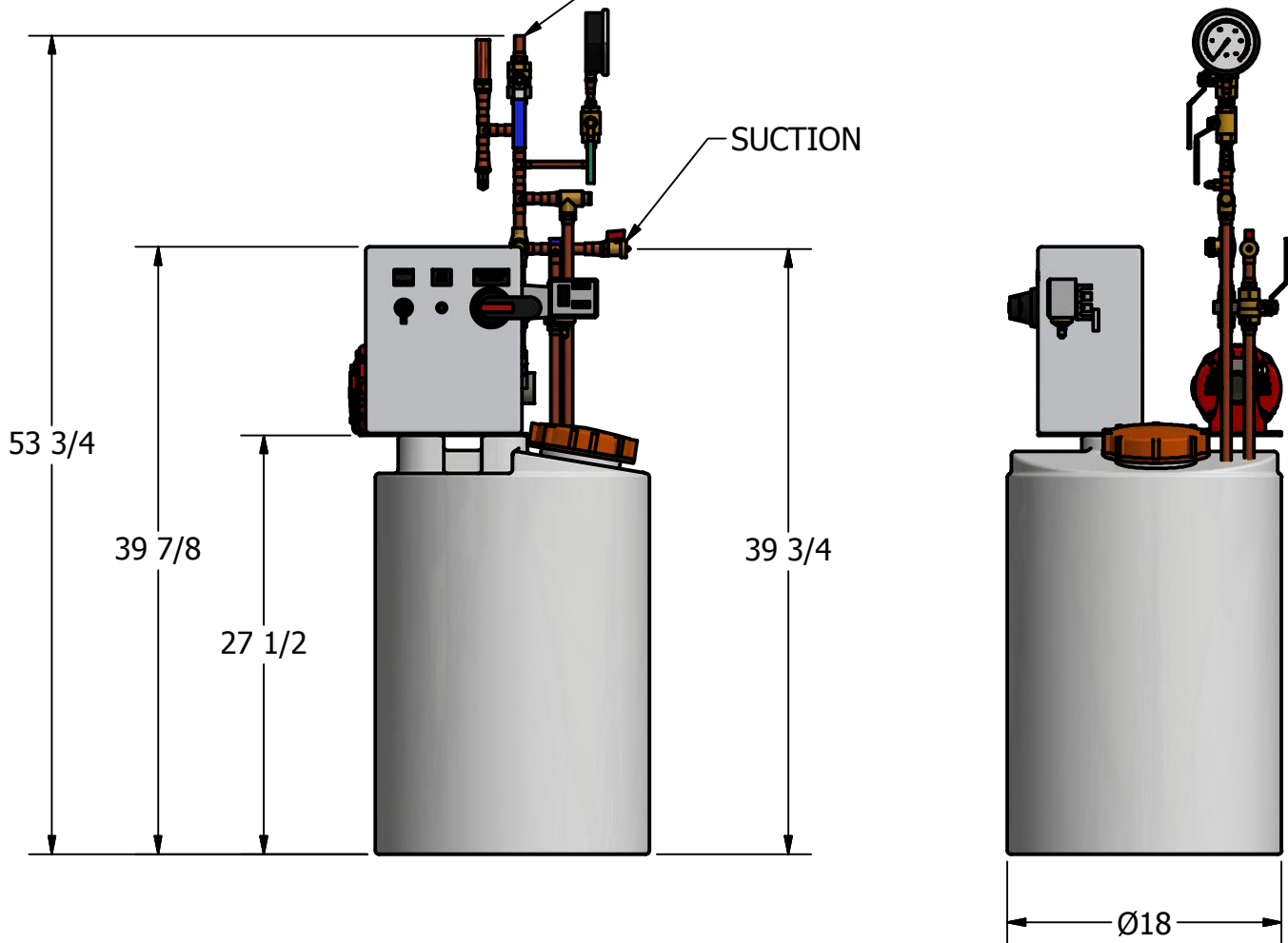
**THIS DRAWING MUST BE SENT WITH PURCHASE ORDER**

DESIGNER G. BOLDUC	DATE 06/08/2016	TITLE / TITRE <b>SIMPLEX GLYCOL SYSTEM 25 GAL.</b>	
		PROJECT / PROJET	
		CUSTOMER / CLIENT	
MONTREAL, (QC), CANADA TORONTO, (ON), CANADA LAKE WORTH, (FL), USA WWW.FLOFAB.COM		QUOTE	TAG
		DWG NO. SIMPLEX GLYCOL SYSTEM 25 GAL.	REV 1
		SCALE / ECHELLE 1/8	JOB NO. SHEET 1 OF 2



DISCHARGE

SUCTION



**THIS DRAWING MUST BE SENT WITH PURCHASE ORDER**

DESIGNER  
G. BOLDUC

DATE  
06/08/2016

TITLE / TITRE  
**SIMPLEX GLYCOL SYSTEM 25 GAL.**



PROJECT / PROJET

CUSTOMER / CLIENT

QUOTE

TAG

MONTREAL, (QC), CANADA  
TORONTO, (ON), CANADA  
LAKE WORTH, (FL), USA  
WWW.FLOFAB.COM

DWG NO. **SIMPLEX GLYCOL SYSTEM 25 GAL.**

REV  
**1**

SCALE / ECHELLE  
1/12

JOB NO.

SHEET 2 OF 2