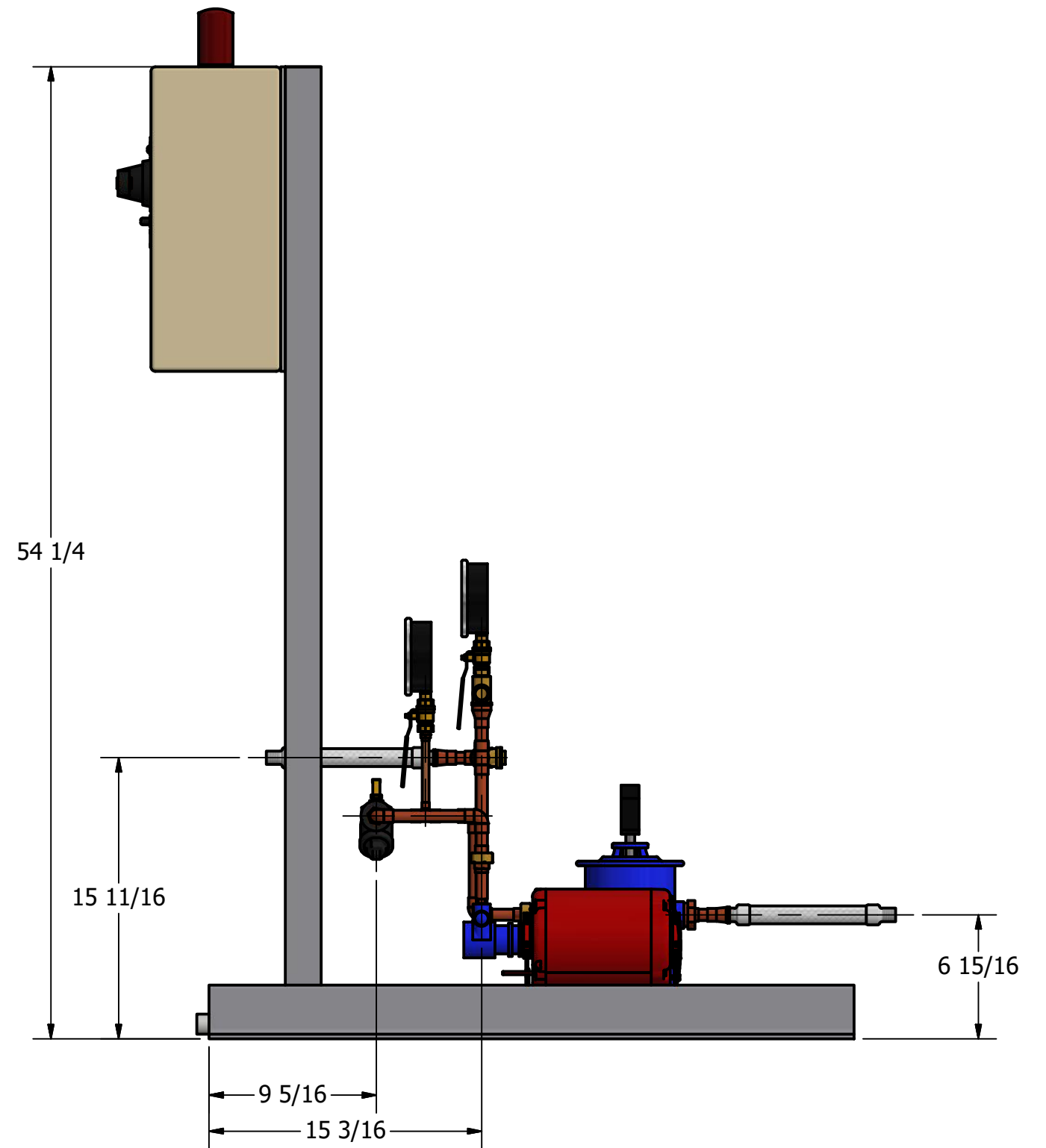
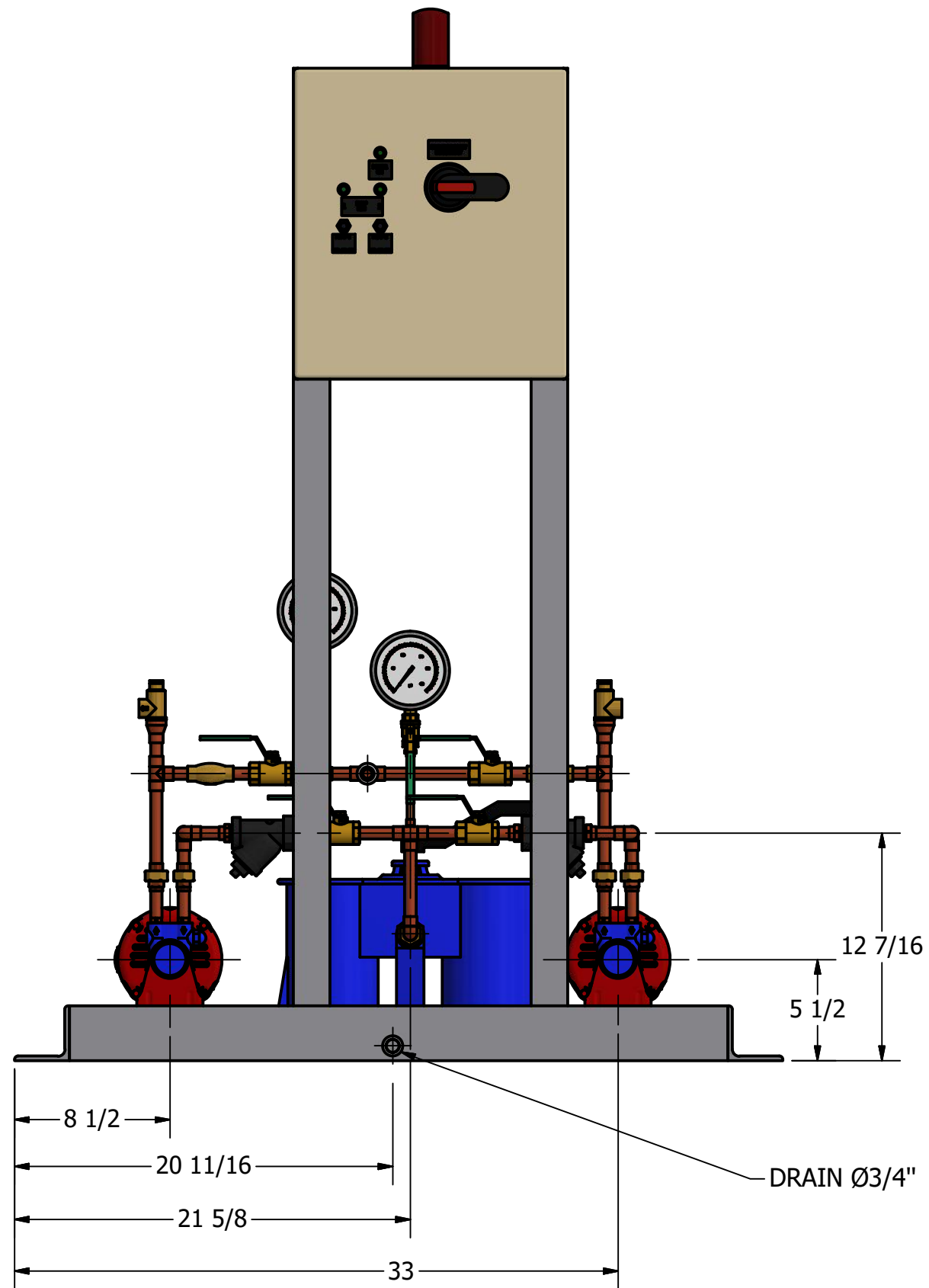



PARTS LIST		
ITEM	ITEM QTY	DESCRIPTION
1	1	OIL BASE 36 x 39
2.1	2	MOTOR - .33HP/1750RPM/115V
2.2	2	PUMP CYB16-377
3	1	DUPLEX BASKET STRAINER 1" NPT
4	1	DUPLEX CONTROL PANEL MODEL DP-1-60-115-122
5	1	PRESSURE GAUGE - 0-160 PSI - RFF0400LF1-425
6	1	PRESSURE GAUGE
7.2	2	PRESSURE RELIEF VALVE
7.3	2	SILENT CHECK VALVE
7.5	2	1/4" BALL VALVE
8.2	2	1/2" Y STRAINER
8.3	4	1/2" BALL VALVE
8.5	3	UNION
9	2	FLEXIBLE 1/2" NPT
10	1	CAST COPPER ALLOY SOLDER JOINT PRESSURE FITTINGS - ADAPTER C X M
11	1	CONTROL PANEL FRAME
12	1	BASKET STRAINER BASE
13	2	MOTOR BASE
14	2	CAST COPPER ALLOY SOLDER JOINT PRESSURE FITTINGS - ADAPTER C X F

DRAWING %	
FABRICATION	X
100%	
90%	
75%	
50%	
PRELIMINARY	

REVISION HISTORY		
REV	DESCRIPTION	DATE
1	PRELIMINARY DRAWINGS	19-MAY-2016
2	MODIFIED CONTROL PANEL	24-MAY-2016

THIS DRAWING MUST BE SENT WITH PURCHASE ORDER		
DESIGNER T. LALONDE	DATE 5/19/2016	TITLE / TITRE FUEL OIL PUMP FEEDING SYSTEM
PROJECT / PROJET Provincetown High School VAC		CUSTOMER / CLIENT FRANK I ROUNDS
QUOTE 107604	TAG FOP 1-2	
MONTREAL, (QC), CANADA TORONTO, (ON), CANADA LAKE WORTH, (FL), USA WWW.FLOFAB.COM		DWG NO. 107 604_FOP 1-2 SCALE / ECHELLE 1/7 JOB NO. 53817-4
		REV 2 SHEET 1 OF 8



THIS DRAWING MUST BE SENT WITH PURCHASE ORDER			
DESIGNER T. LALONDE	DATE 5/19/2016	TITLE / TITRE FUEL OIL PUMP FEEDING SYSTEM	
		PROJECT / PROJET Provincetown High School VAC	
		CUSTOMER / CLIENT FRANK I ROUNDS	
MONTREAL, (QC), CANADA TORONTO, (ON), CANADA LAKE WORTH, (FL), USA WWW.FLOFAB.COM		QUOTE 107604	TAG FOP 1-2
DWG NO. 107604_FOP 1-2		REV 2	
SCALE / ECHELLE 1/8	JOB NO. 53817-4	SHEET 2 OF 8	