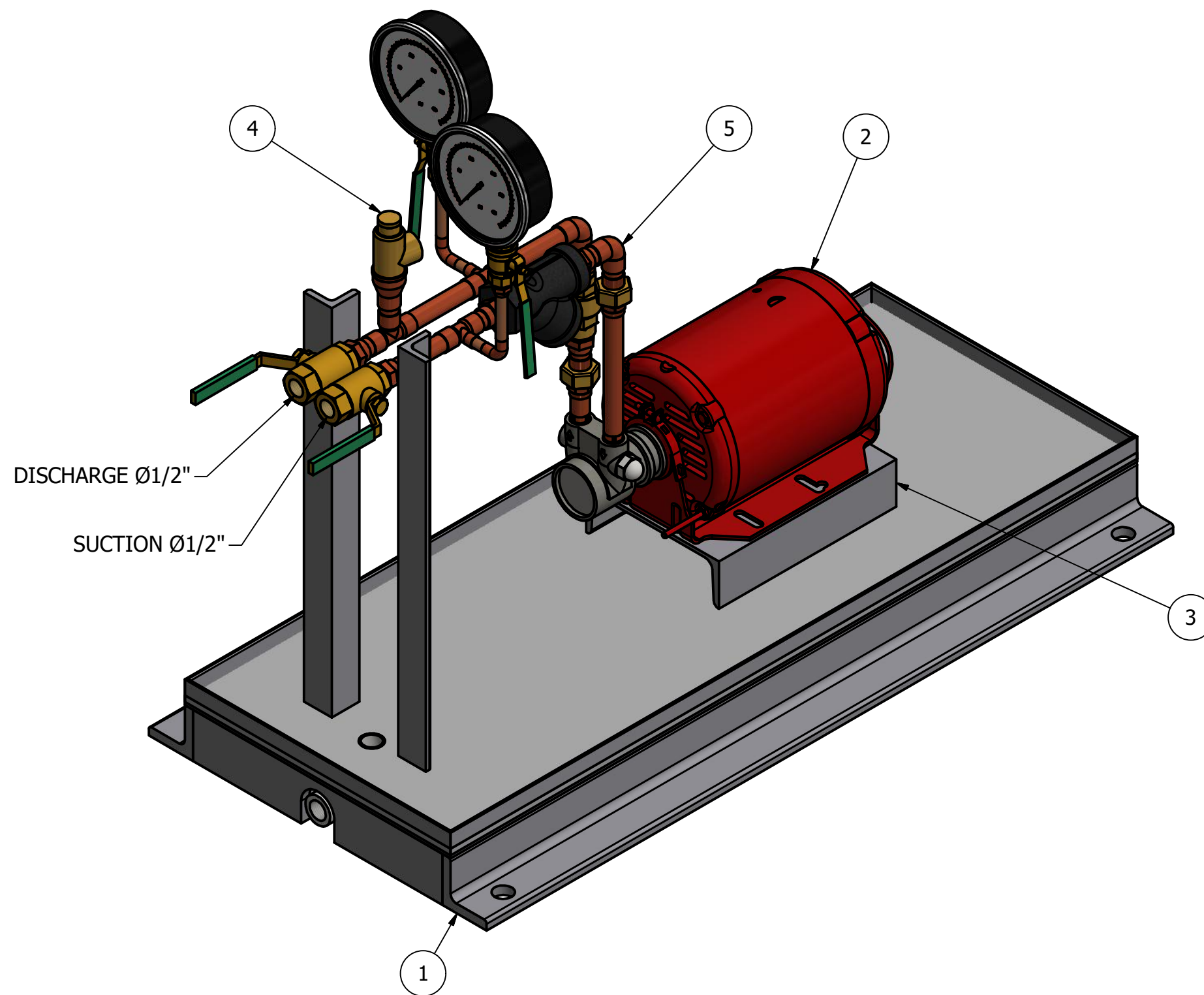


PARTS LIST		
ITEM	ITEM QTY	DESCRIPTION
1	1	OIL BASE 16 X 31 X 1/4
2	1	PUMP ASSEMBLY
3	1	MOTOR RAISER
4	1	DISCHARGE LINE
5	1	SUCTION LINE



DRAWING %	
FABRICATION	X
100%	
90%	
75%	
50%	
PRELIMINARY	

**NOTE:**  
**- ALL IN COOPER PIPING Ø1/2"**

REVISION HISTORY		
REV	DESCRIPTION	DATE
1	PRELIMINARY DRAWINGS	27-APR-2016
<b>THIS DRAWING MUST BE SENT WITH PURCHASE ORDER</b>		
DESIGNER G. BOLDUC	DATE 4/27/2016	TITLE / TITRE SIMPLEX OIL PUMP SYSTEM
PROJECT / PROJET SUPER C RIVIERE DU LOUP		CUSTOMER / CLIENT RAY CHAUD INC.
QUOTE 106225	TAG 14	
DWG NO. 106225_SIMPLEX OIL PUMP SYSTEM		REV 1
SCALE / ECHELLE 1/4	JOB NO. 53179-1	SHEET 1 OF 7



MONTREAL, (QC), CANADA  
TORONTO, (ON), CANADA  
LAKE WORTH, (FL), USA  
WWW.FLOFAB.COM