



PACKAGE CATALOG

Manufacturer of Pumps, Tanks, Heat Exchangers & Accessories

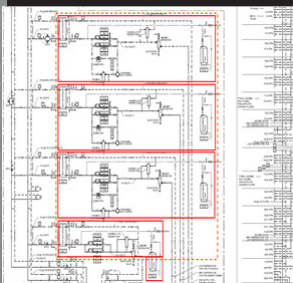
DOMESTIC PUMP SYSTEM

HYDRONIC COOLING PUMP SYSTEM

HYDRONIC HEATING PUMP SYSTEM

How to price a package?

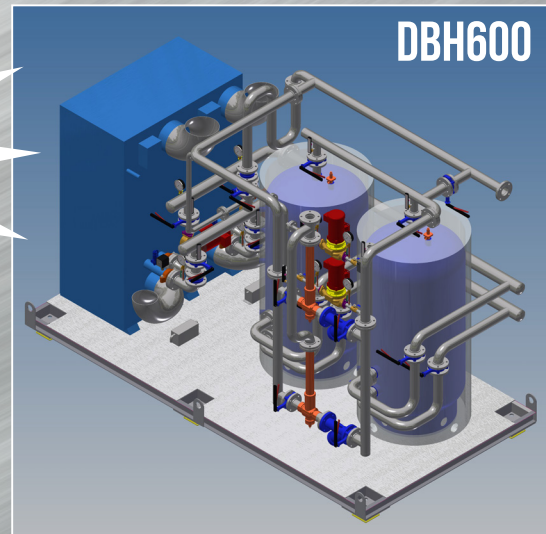
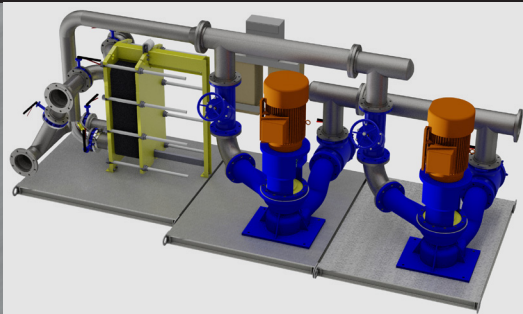
Mechanical Room PID:



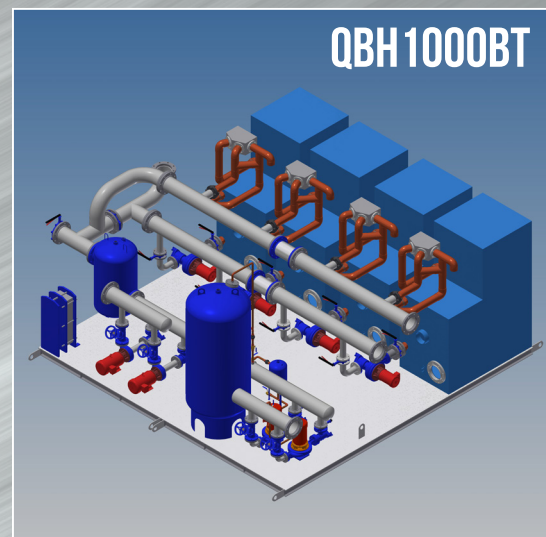
Production:



PreFabs Skids Package:



DBH600



QBH1000BT

www.flofab.com

How to Price a Package ?

What we need ?

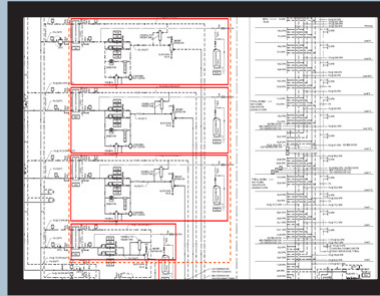
- 1.1 System PID
- 1.2 Pumps, Tanks and Heat Exchangers Schedule
- 1.3 Cut sheets for non Flo Fab parts like
ex. Boilers, Chillers, etc...
- 1.4 Skids footprint
- 1.5 Mechanical room footprint

Quality Control

All pumps are factory tested and certified performance test is available when requested by the consultant. Test facilities up to 400 HP with 27,000 gallon test bench with calibrated instruments ...



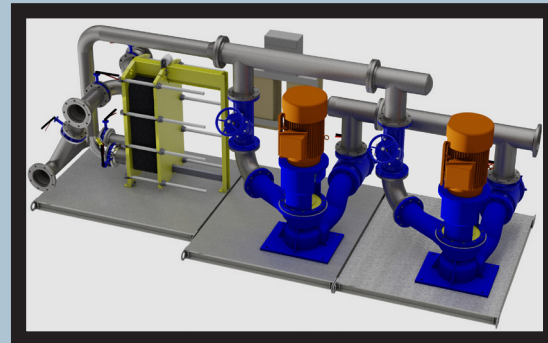
PID:



Production:



Package:



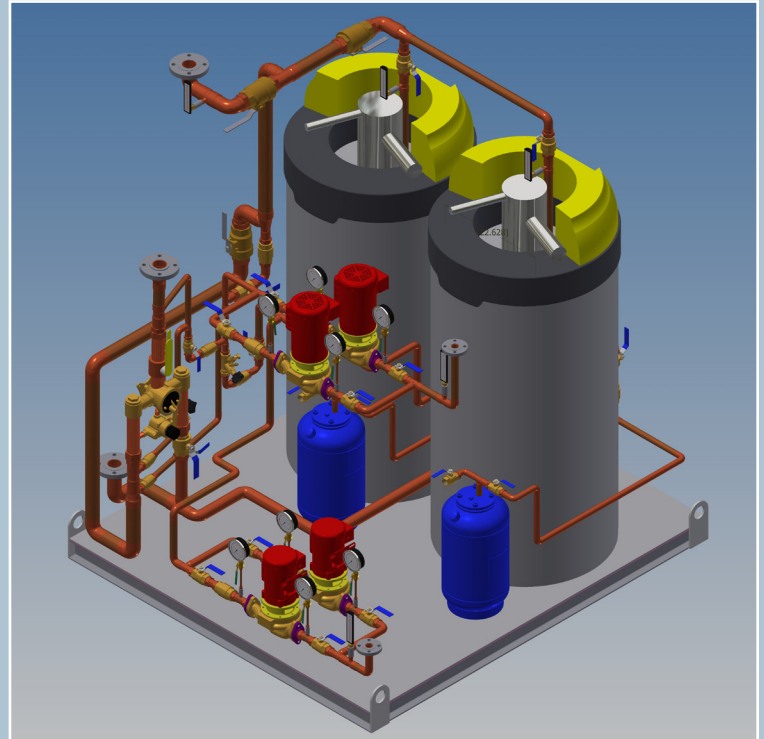
2.1 Heating and Cooling Systems

2.2 Module HC will be composed of two pumps, control panel VFD, expansion tank, air separator, chemical pot Feeder, and glycol fill system (optional), balancing valves, isolation valves, air vents and drain connections, multifunction valves, suction diffusers or Y strainers, interconnecting black steel schedule 40 piping. All package components are mounted on a structural steel base with lifting lugs...

SPECS example :

Product	Product Type	Section(s)	Date Submitted	Status	
XRI	Separately Coupled, Horizontally Mounted, In-Line Centrifugal Pumps	232123-HYDRONIC PUMPS	1/5/2016	Submitted	View Details
880RI	Separately Coupled, Vertically Mounted, In-Line Centrifugal Pumps	232123-HYDRONIC PUMPS	1/5/2016	Submitted	View Details
2000	Separately Coupled, Base-Mounted, End-Suction Centrifugal Pumps	232123-HYDRONIC PUMPS	1/5/2016	Submitted	View Details

HWC600



DOMESTIC HOT WATER
TECHNICAL DATA

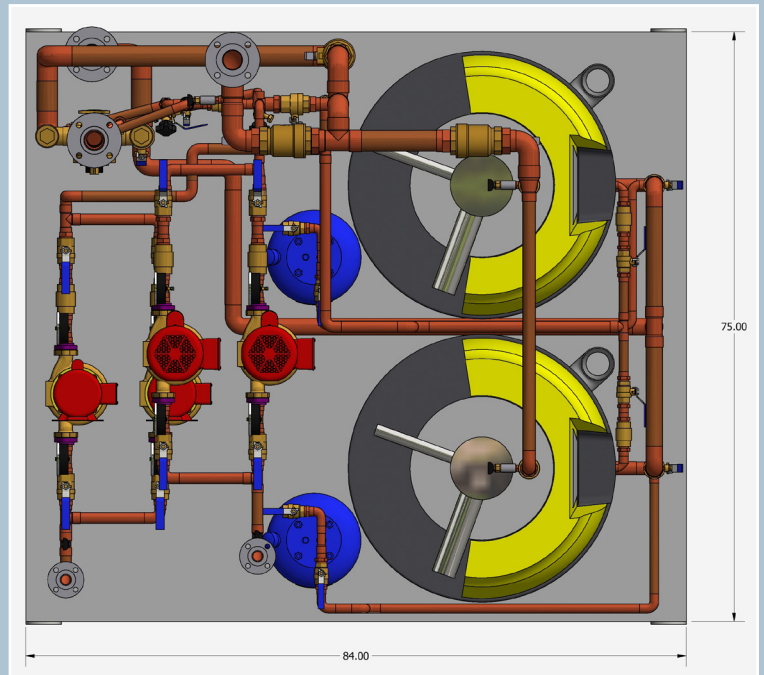
Two Water Gas Heaters

Capacity
119 GAL.

Input
500 KBTU/hr
each

Quadruplex Pumps
Model 600

Mixing Valves



BUILT WITH :

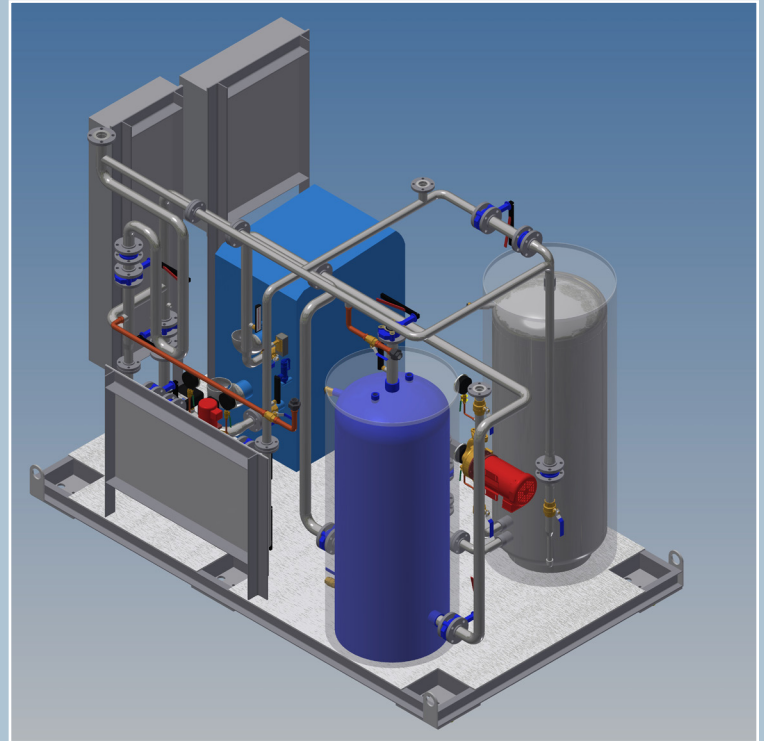
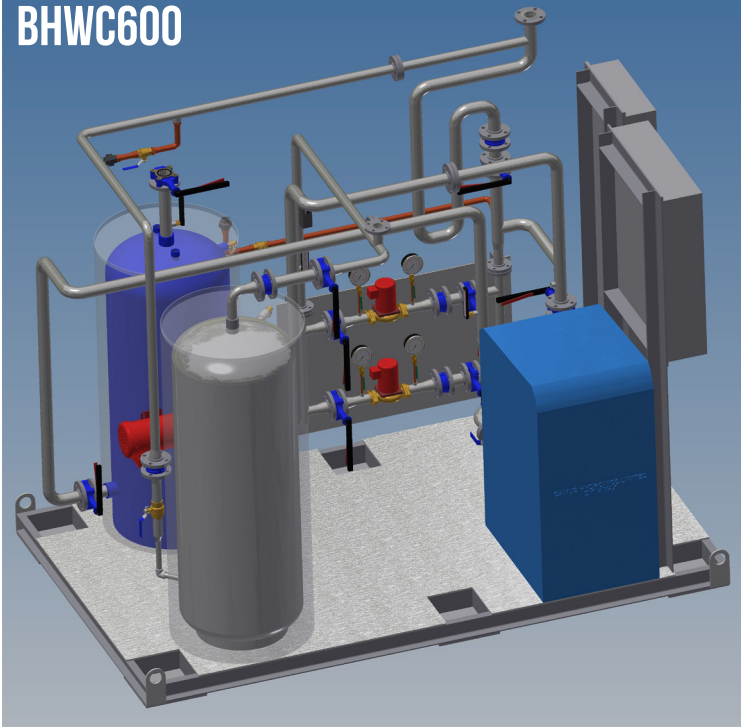


AUTODESK
REVIT

POD HOTEL
CASE STUDIES PROJECTS

DOMESTIC
PUMP SYSTEM

BHWC600



DOMESTIC HOT WATER FOR KITCHEN HOTEL
TECHNICAL DATA

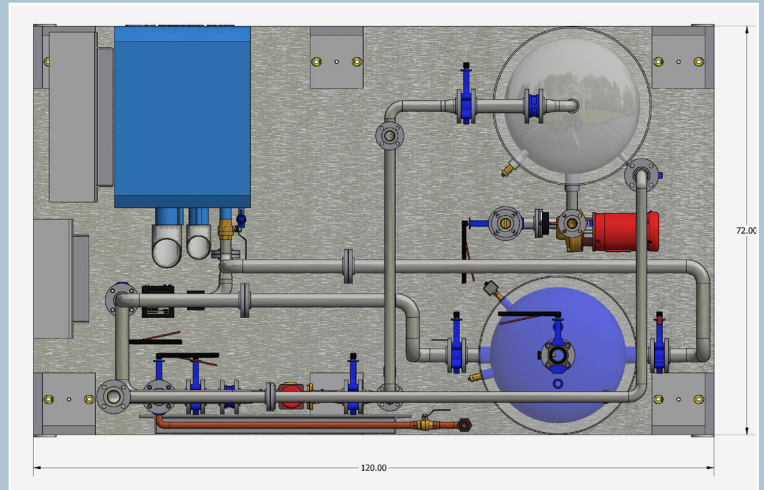
Heating Boiler

Output
470 MBTU/hr

Storage Tank
Capacity
120 GAL.

Circulating Pumps
Model 600

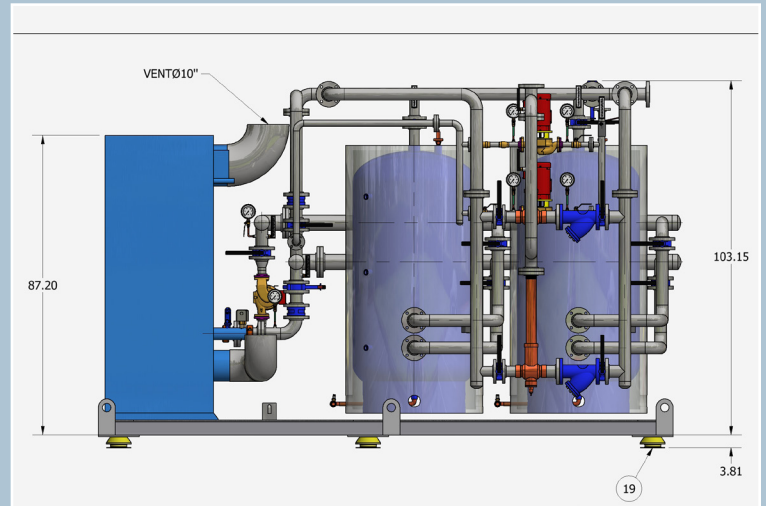
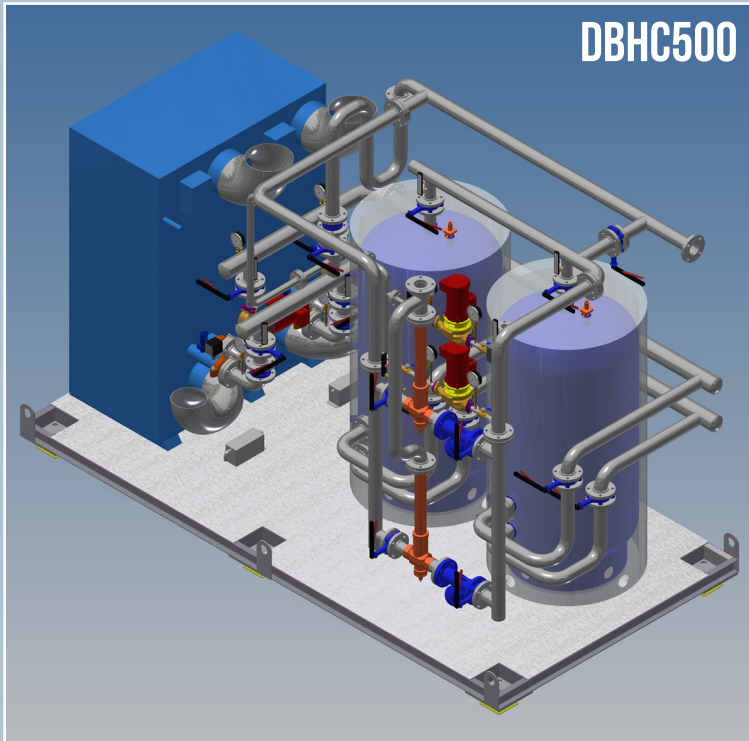
Heating Tank
for return water
Capacity
120 GAL



BUILT WITH :



AUTODESK
REVIT



DOMESTIC HOT WATER SUPPLY
TECHNICAL DATA

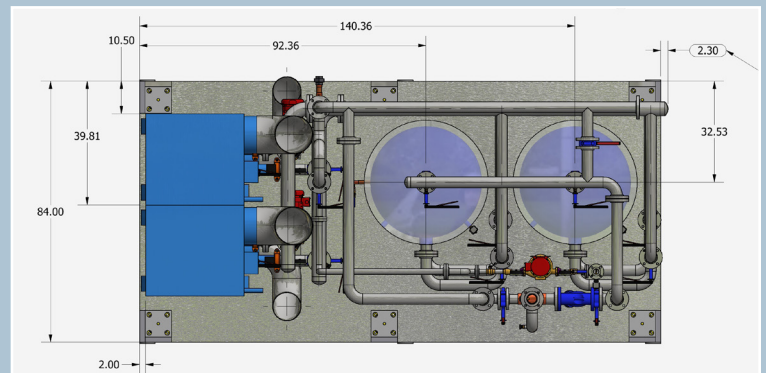
Two Storage Tanks

Capacity
300 GAL.
each

Two Gas Fired Boilers
2500 MBTU/hr
Output each.

Circulating Pumps
Model 600

Mixing Valve



BUILT WITH :

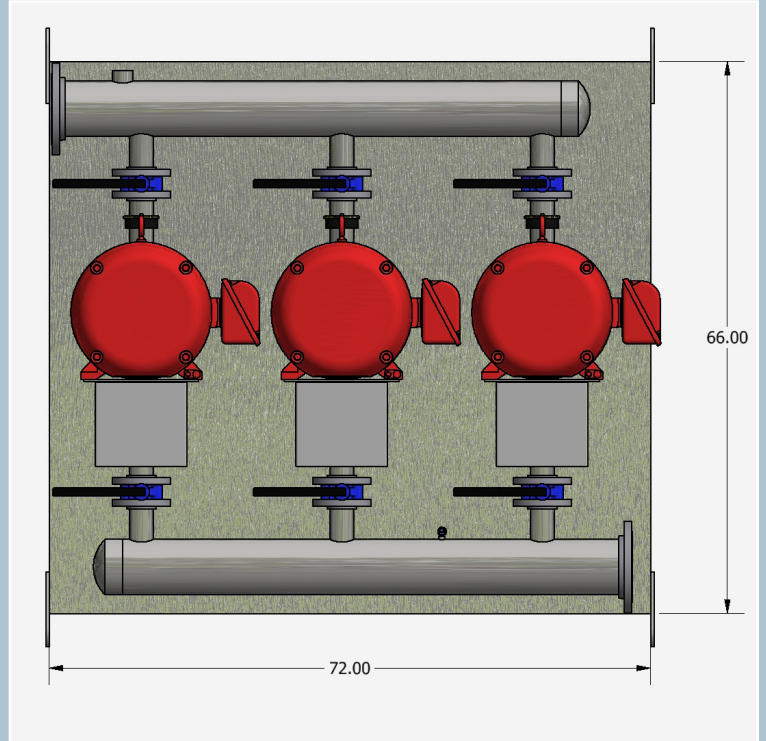
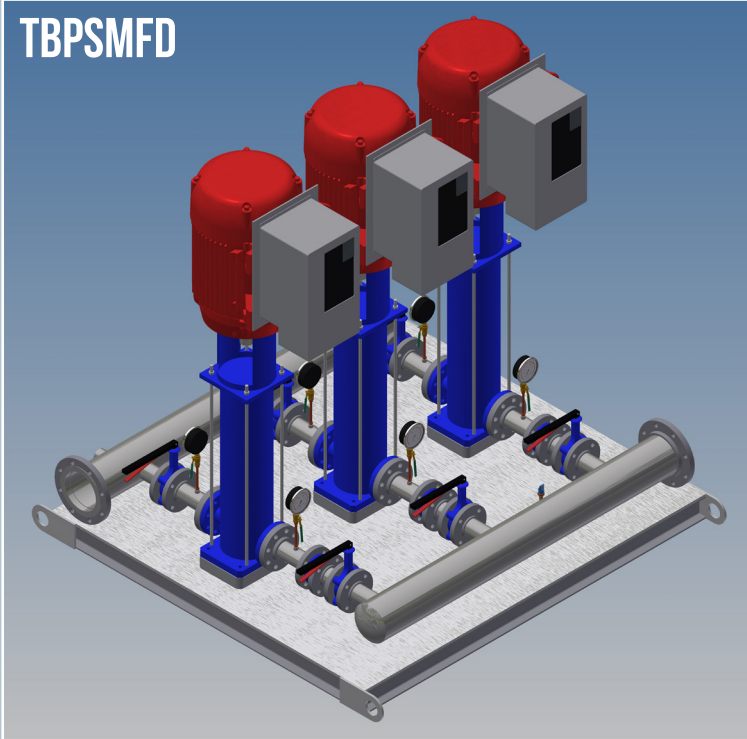


AUTODESK
REVIT

THE EXCHANGE TOWER CASE STUDIES PROJECTS

DOMESTIC PUMP SYSTEM

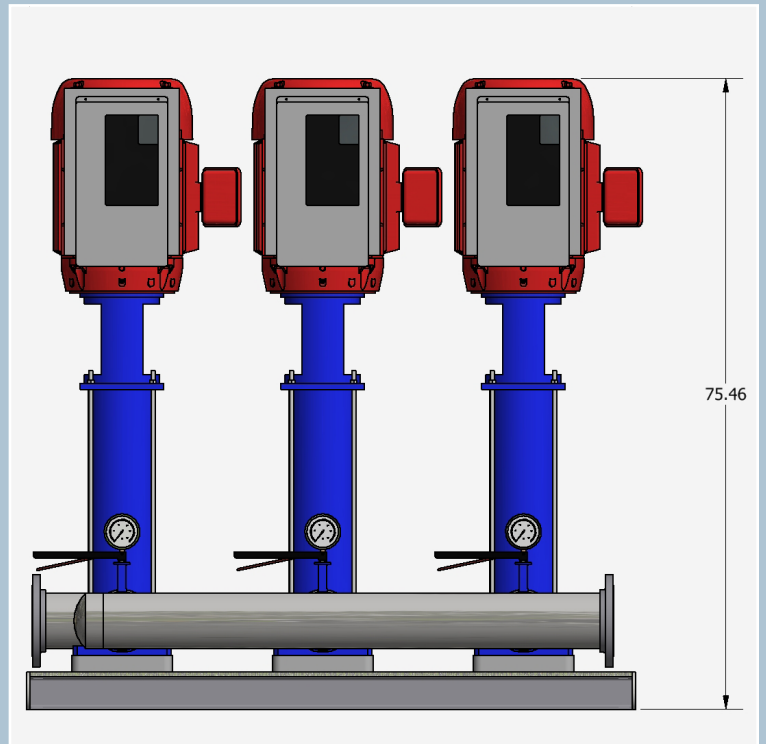
TBPSMFD



TRIPLEX PUMPS BOOSTER TECHNICAL DATA

Multi-stage Pump with VFD
Model PSM32-801

Capacity
121 GPM
570 Ft. head
each

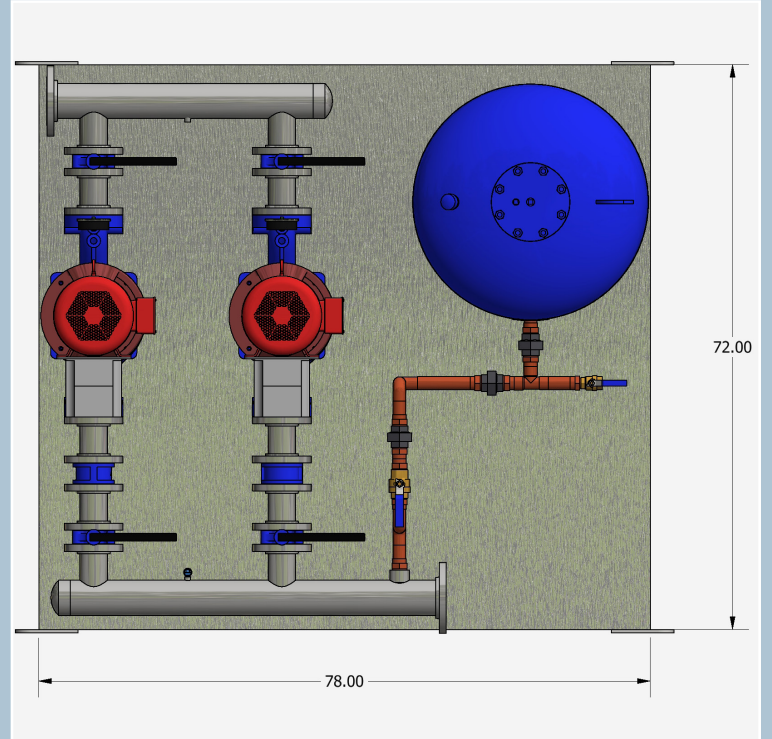
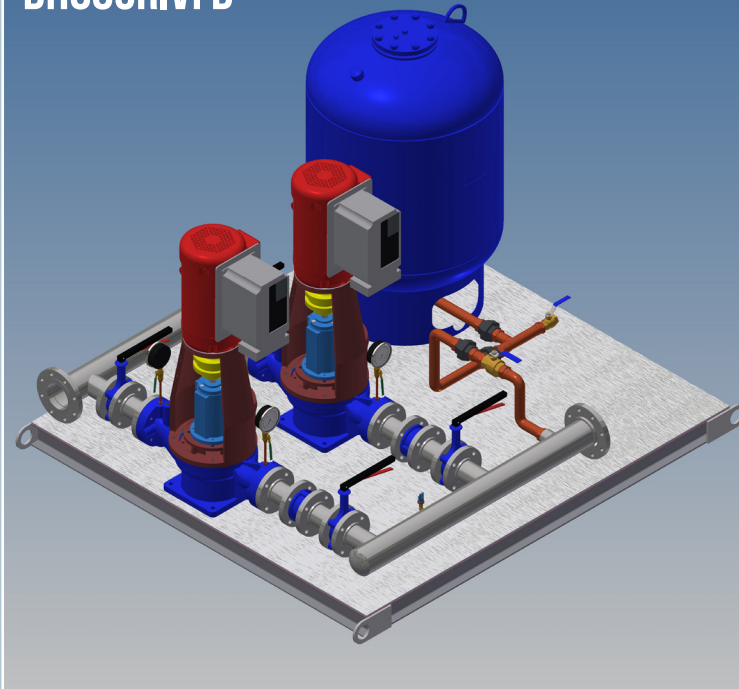


BUILT WITH :



AUTODESK
REVIT

DH880RIVFD



DUPLEX PUMPS BOOSTER

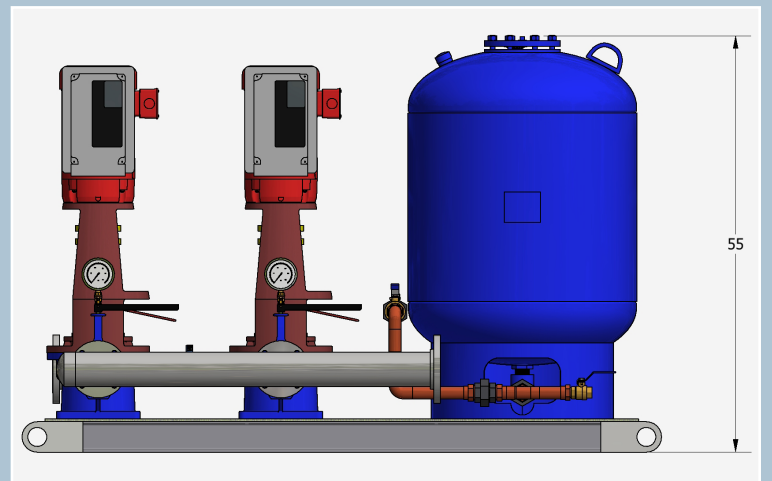
TECHNICAL DATA

Duplex Pumps with VFD
Model 880RI

Capacity
250 GPM
115 Ft. head
each

Expansion Bladder Tank

Capacity
106 GAL



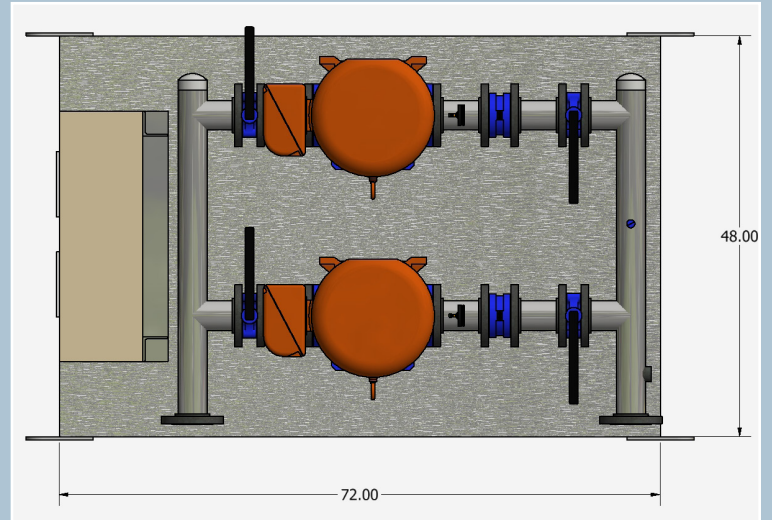
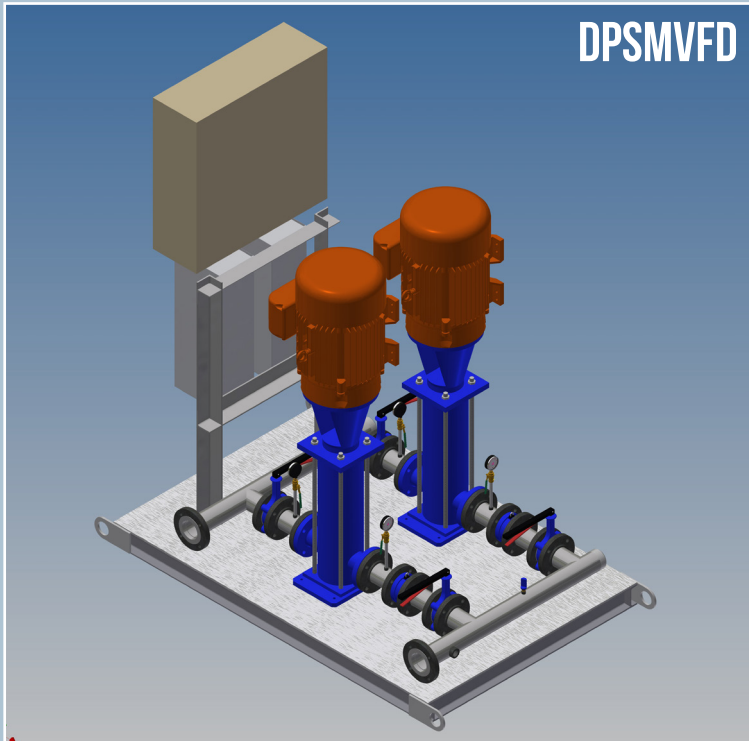
BUILT WITH :



AUTODESK
REVIT

THE KIMBERLY CASE STUDIES PROJECTS

DOMESTIC PUMP SYSTEM

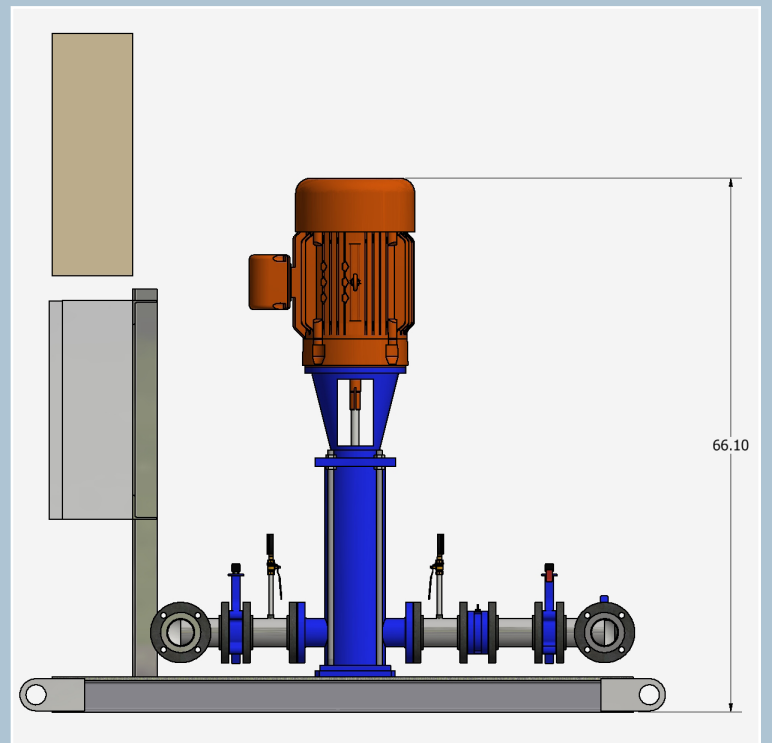


DUPLEX PUMPS BOOSTER TECHNICAL DATA

Duplex Multi-Stage Pumps
with VFD
Model PSM42-40-2

Capacity
190 GPM
370 Ft. head
each

Single Point Power
Connection Panel



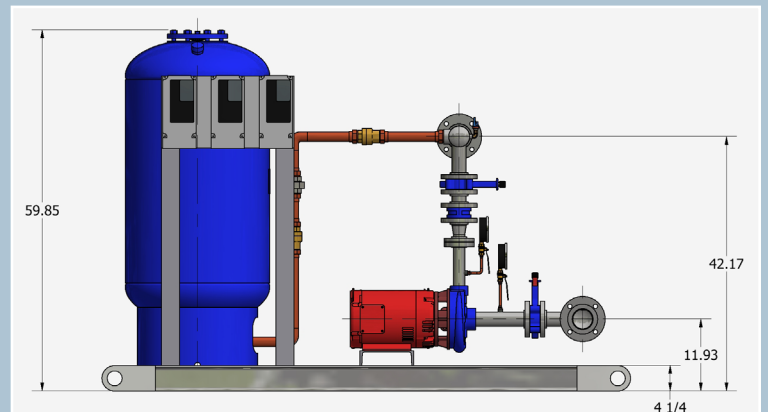
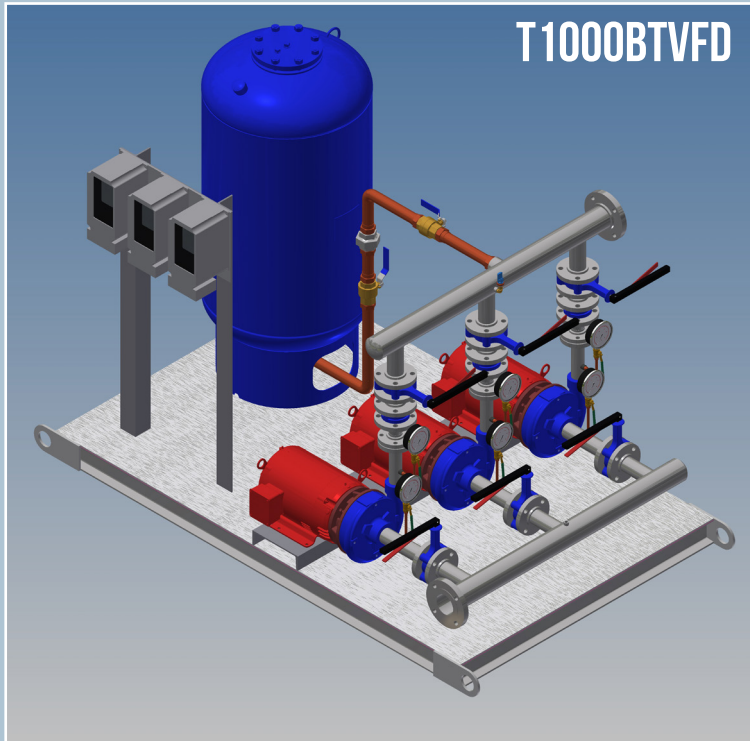
BUILT WITH :



AUTODESK
REVIT

RESIDENTIAL TOWER CASE STUDIES PROJECTS

DOMESTIC PUMP SYSTEM



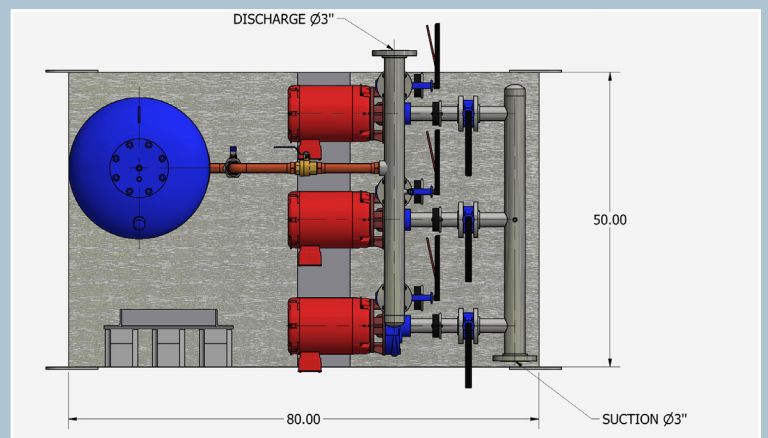
TRIPLEX PUMPS BOOSTER TECHNICAL DATA

Triplex End-Suction Pumps
with VFD
Model 1000-c815G

Capacity
140 GPM
210 Ft. head
each

Expansion Bladder Tank

Capacity
79 GAL.



BUILT WITH :

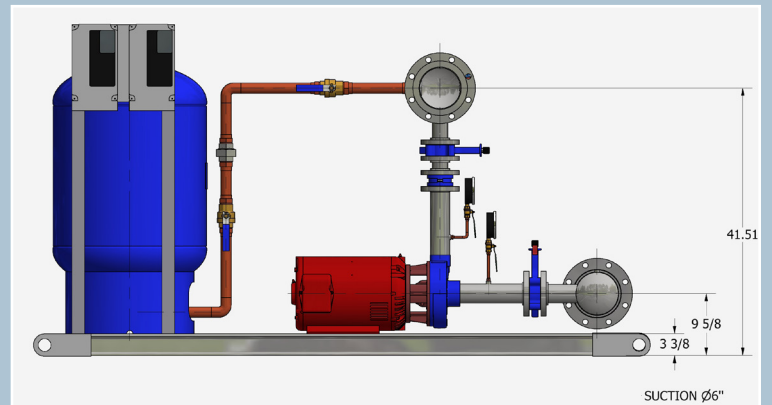
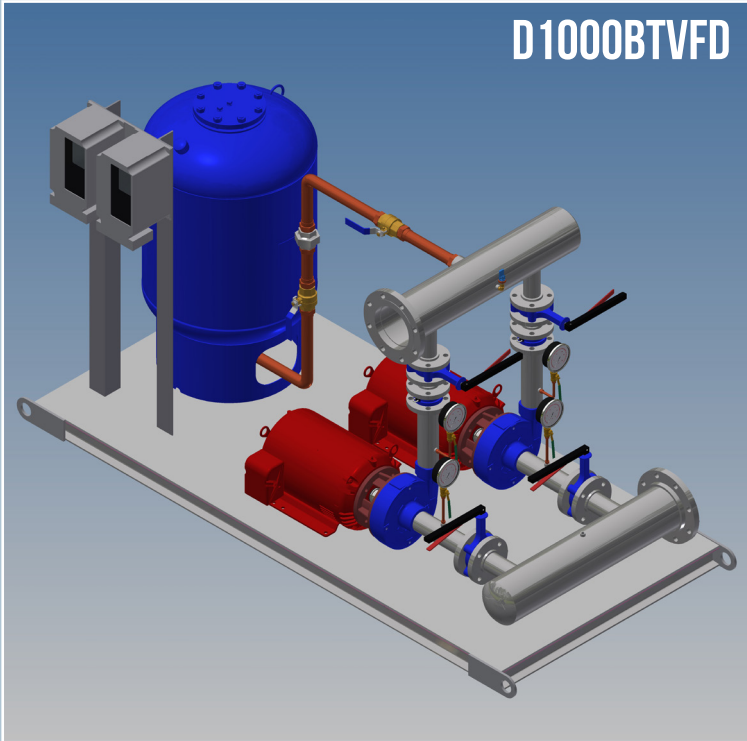


AUTODESK
REVIT

LOWNEY TOWER
CASE STUDIES PROJECTS

DOMESTIC
PUMP SYSTEM

D1000BTVFD



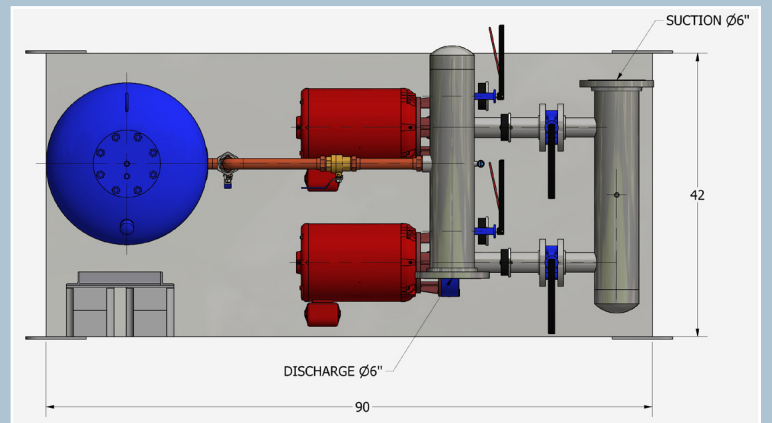
DUPLEX PUMPS BOOSTER
TECHNICAL DATA

Duplex End-Suction Pumps
with VFD
Model 1000-c820A

Capacity
275 GPM
173 Ft. head
each

Expansion Bladder Tank

Capacity
53 GAL.



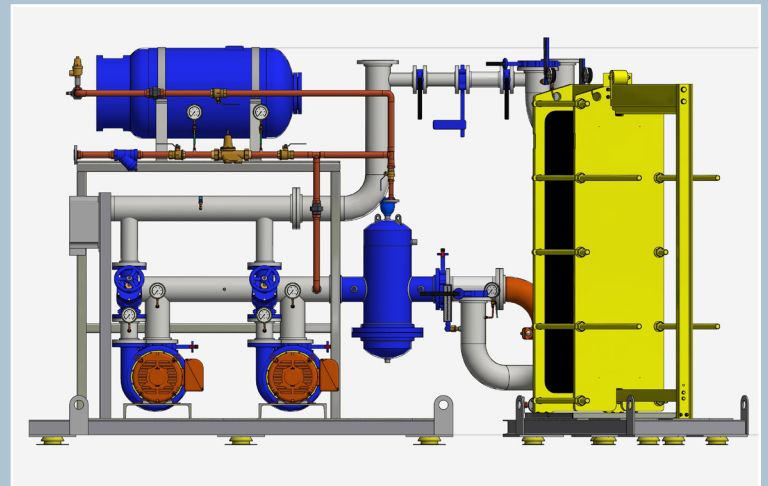
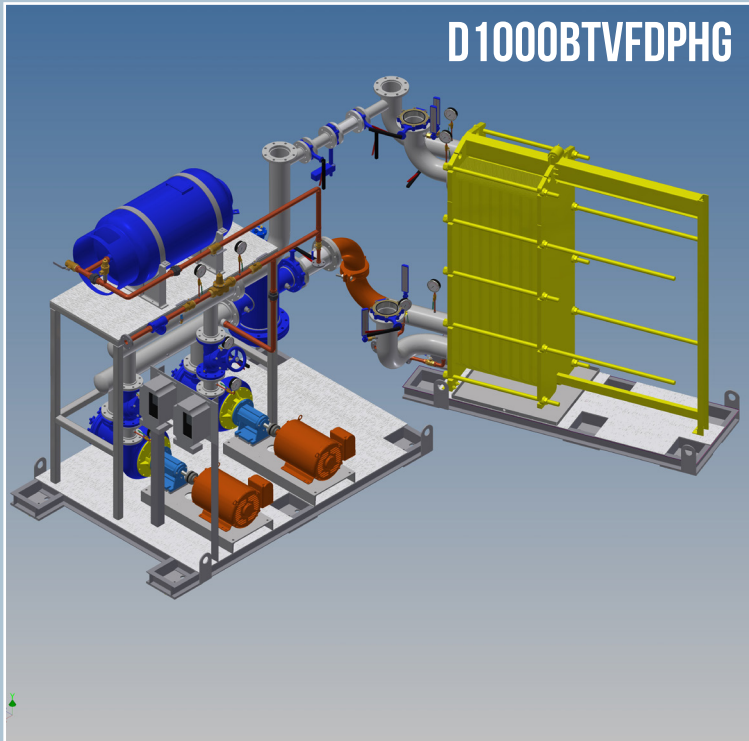
BUILT WITH :



AUTODESK
REVIT

POD HOTEL
CASE STUDIES PROJECTS

HYDRONIC
COOLING PUMP SYSTEM



CHILLED WATER DUPLEX PUMPS SYSTEM
TECHNICAL DATA

Duplex End-Suction Pumps
with VFD

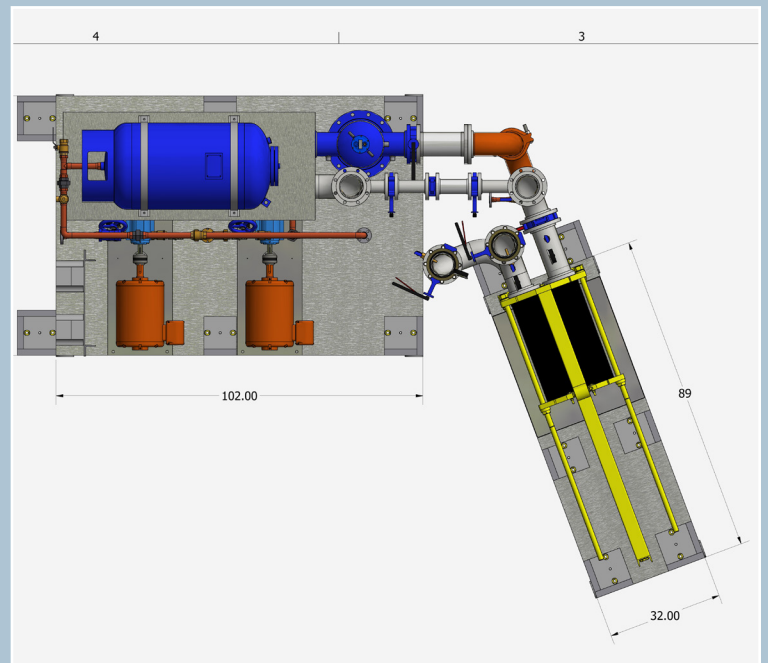
Capacity
750 GPM
100 Ft. head
each

Expansion Bladder Tank

Capacity
79 GAL.

Air & Dirt Separator

Heat Exchanger
Plate & Frame

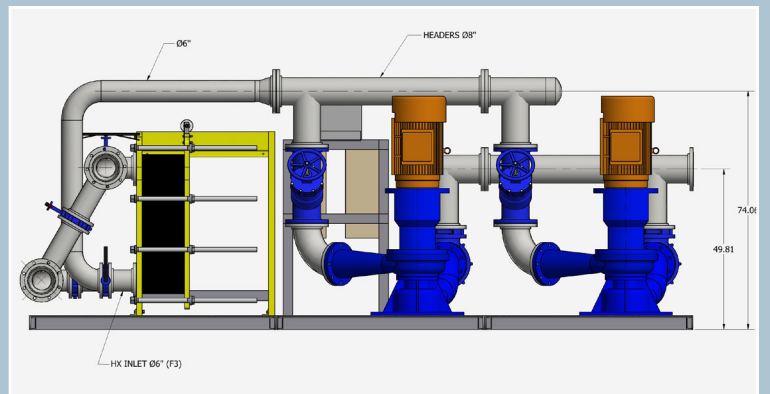
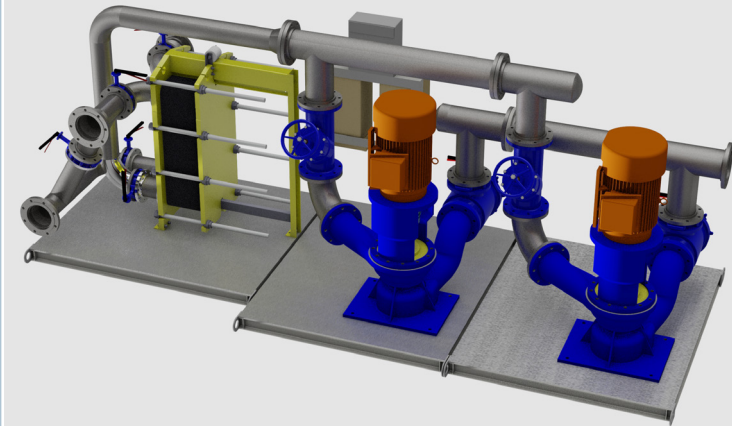


BUILT WITH :



AUTODESK
REVIT

S880VFDBTPHG

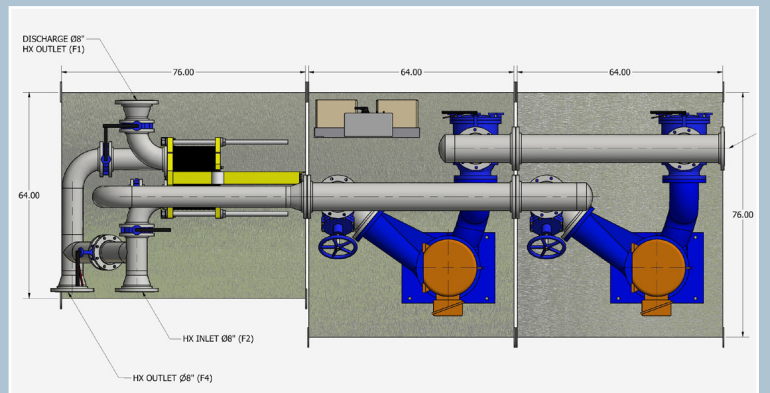


CHILLED WATER PUMPS SYSTEM
TECHNICAL DATA

Duplex Pumps
with VFD
Model XRI
with 45 degree layout
arrangement

Capacity
1000 GPM
100 Ft. head
each

Heat Exchanger
Plates & Frame

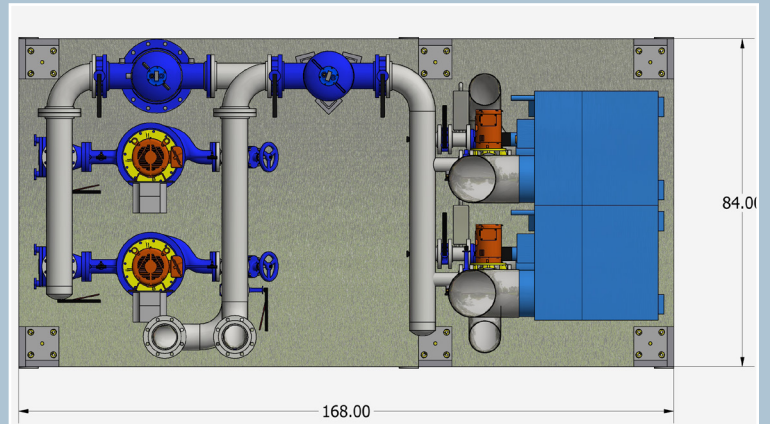
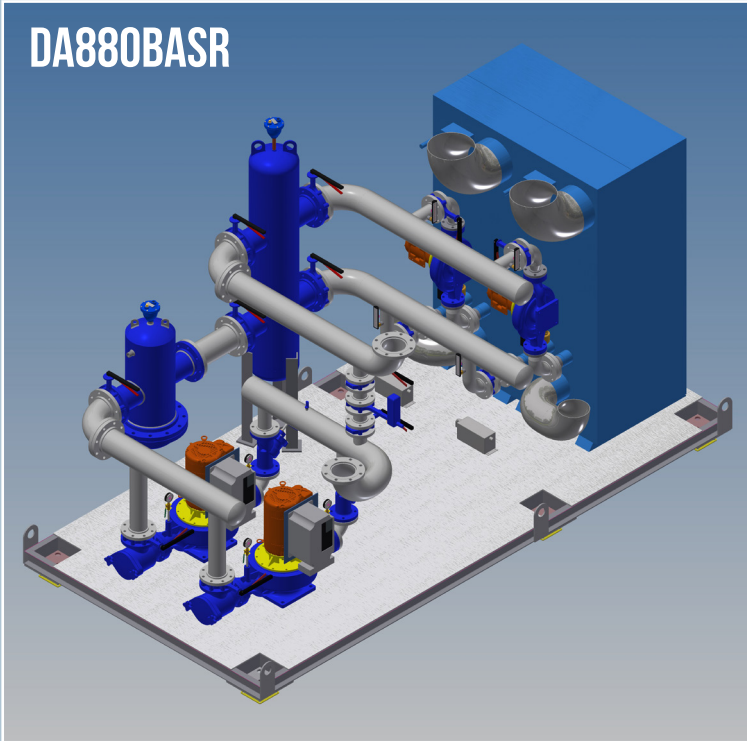


BUILT WITH :



AUTODESK
REVIT

DA880BASR



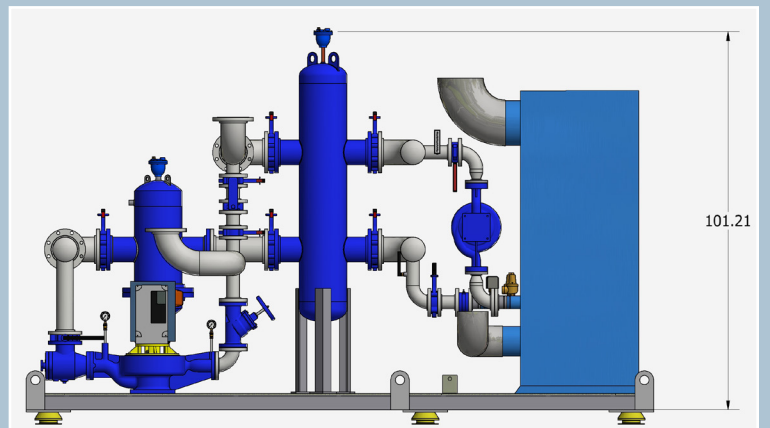
HEATING PUMPS SKID
TECHNICAL DATA

Duplex Gas Fired Boilers
2500 MBTU/hr
Output each

Duplex Inline Pumps
Model 880

Capacity
400 GPM
100 Ft. head

Hydraulic Air Separator

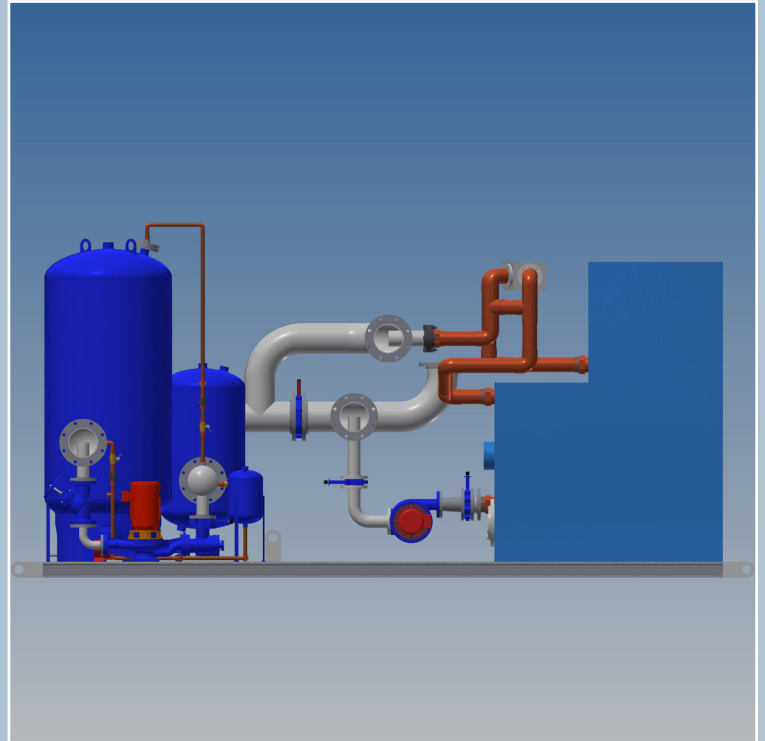
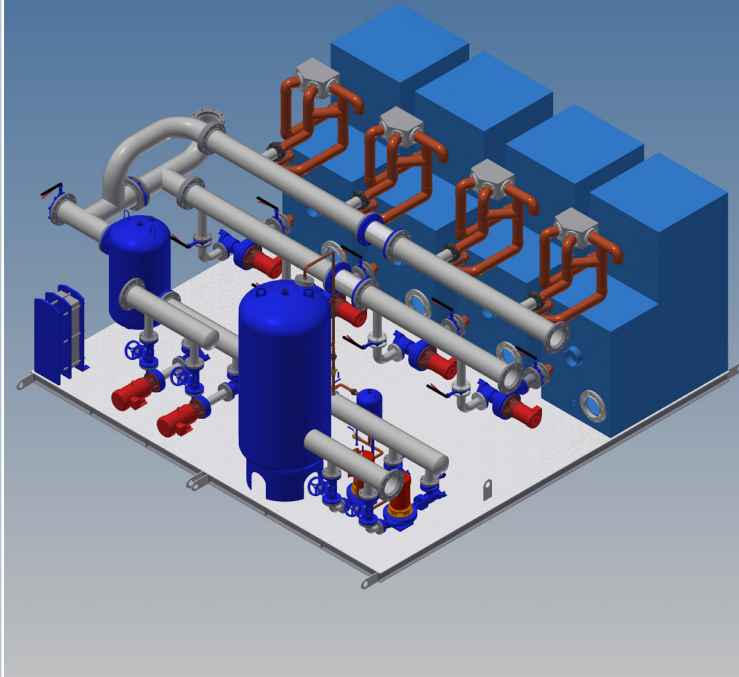


BUILT WITH :



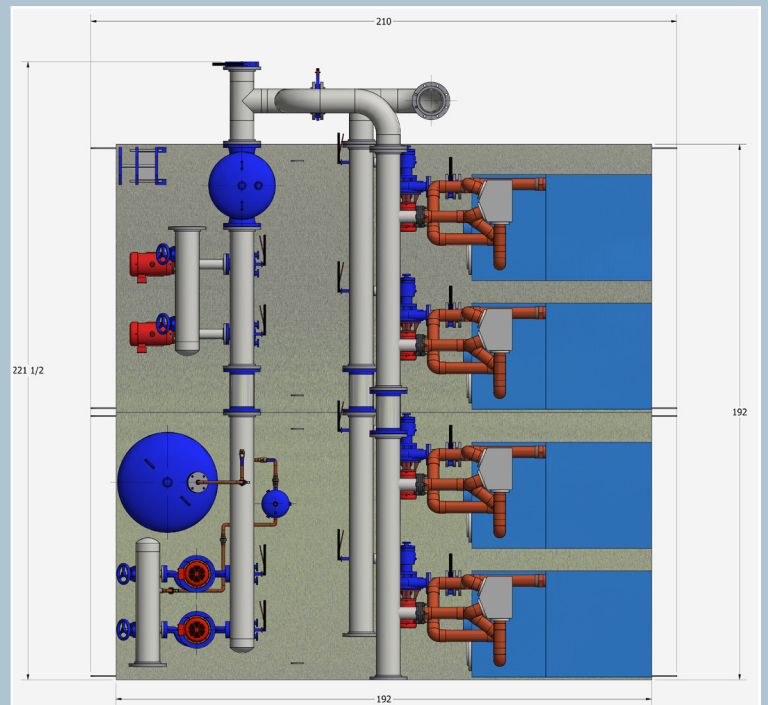
AUTODESK
REVIT

QB 1000BT



HEATING PUMP SYSTEM
TECHNICAL DATA

- Quadruplex Boilers
- Quadruplex Pumps
- Duplex Inline 880
- Duplex End-Suction

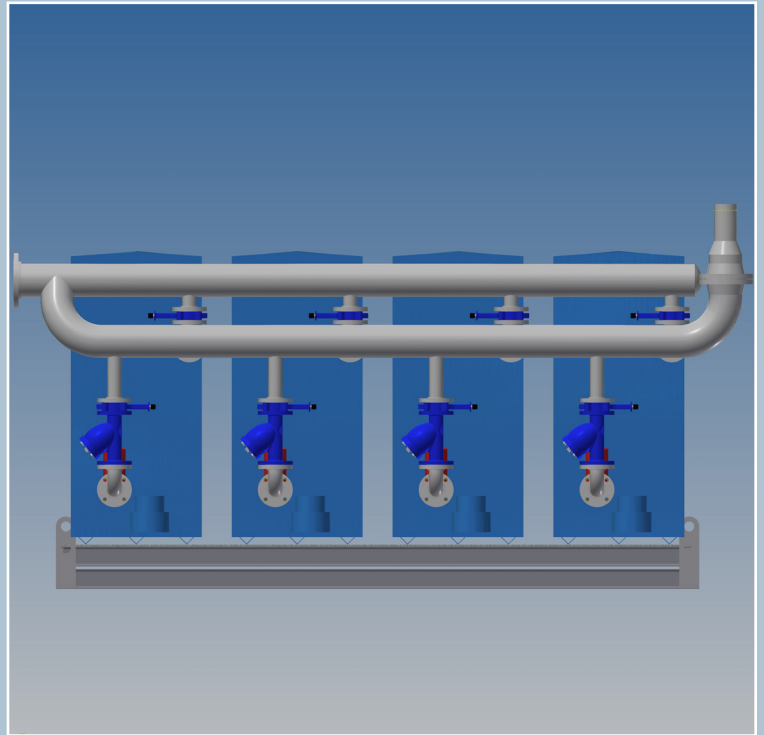
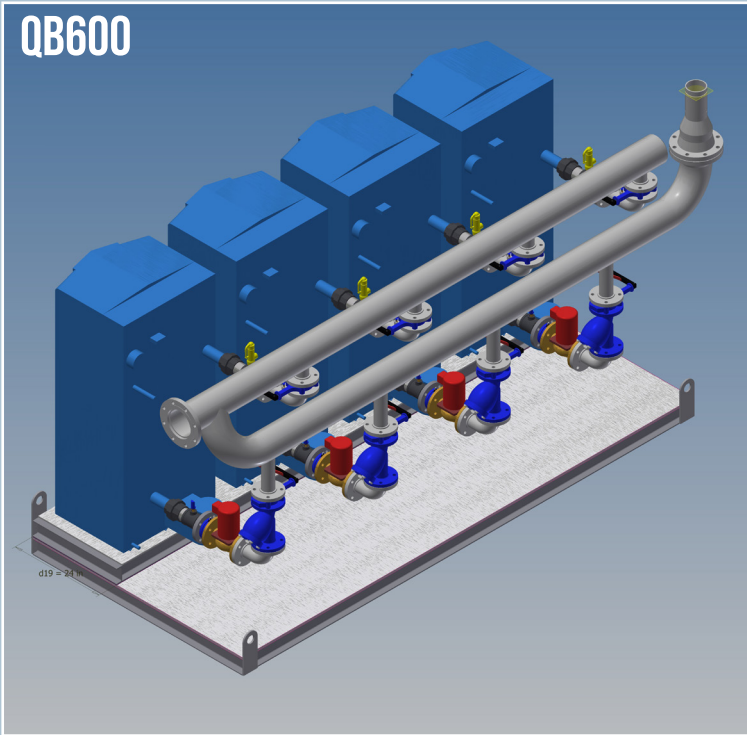


BUILT WITH :



AUTODESK
REVIT

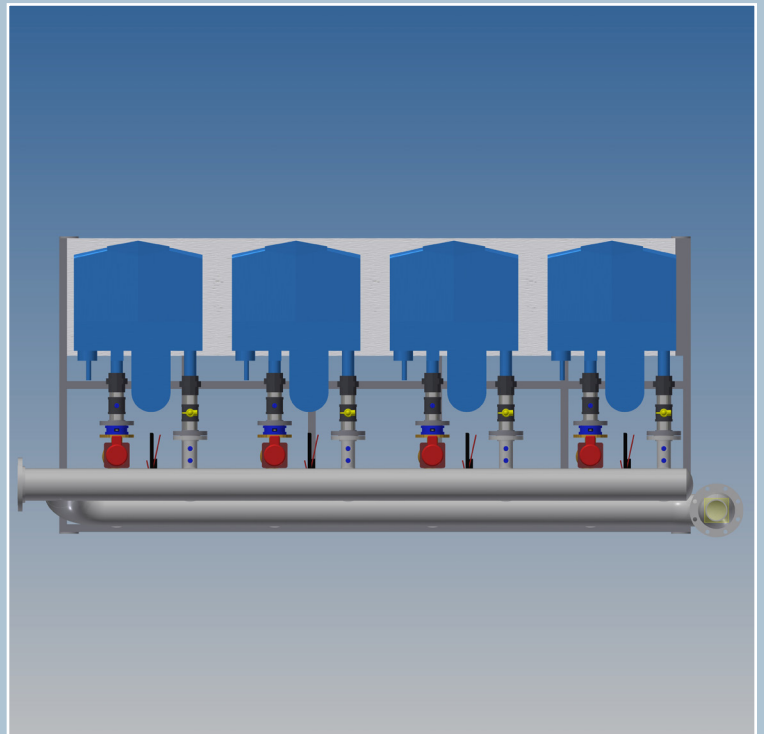
QB600



HEATING PUMP SYSTEM
TECHNICAL DATA

Quadruplex Boilers
825 MBTU/hr
each

Circulating Pumps
Model 600



BUILT WITH :

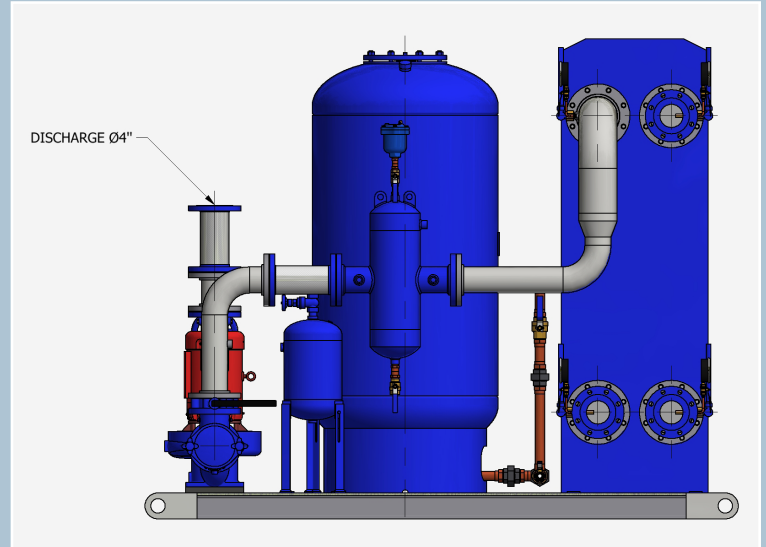
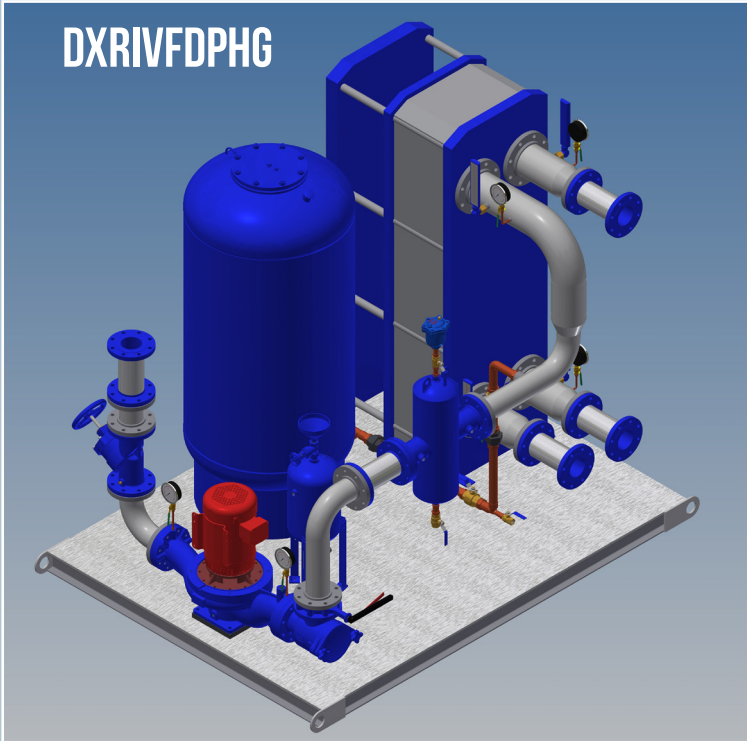


AUTODESK
REVIT

THE EXCHANGE TOWER
CASE STUDIES PROJECTS

HYDRONIC
HEATING PUMP SYSTEM

DXRIVFDPHG



HYDRONIC HEATING PUMP SYSTEM
TECHNICAL DATA

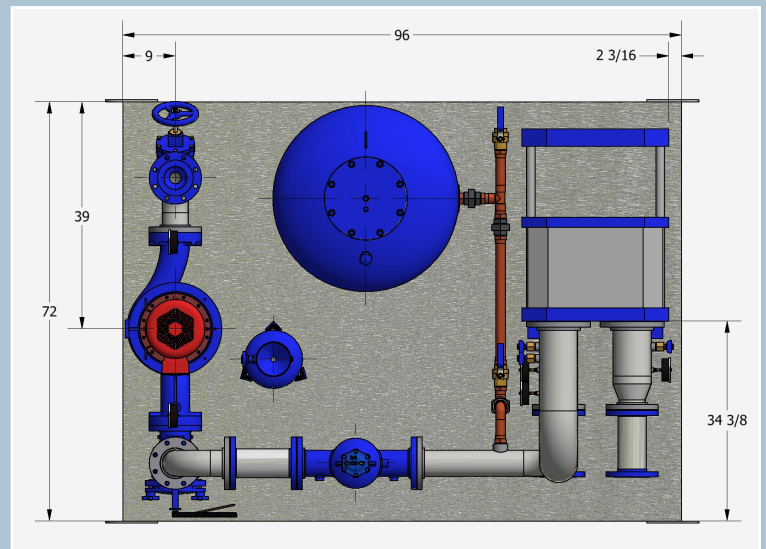
Simplex Pump
Inline Model 880

Capacity
252GPM
60 Ft. head
each

Heat Exchanger
Plates & Frame

Expansion Tank

Capacity
211 GAL.

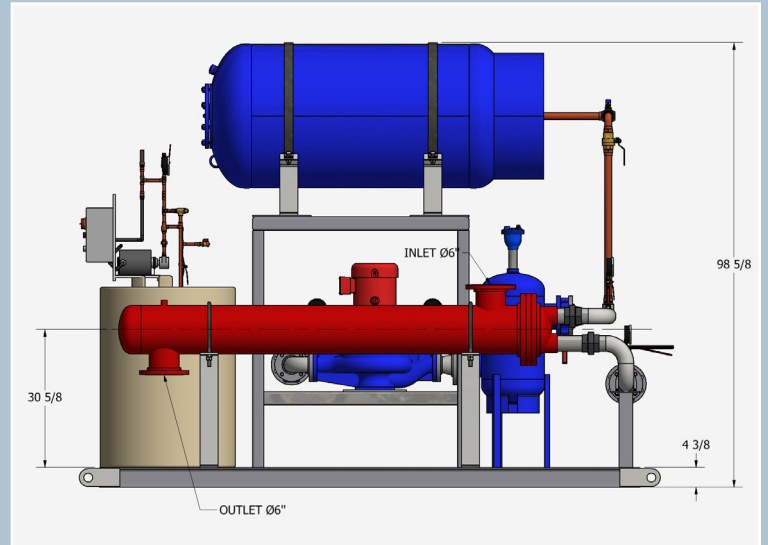
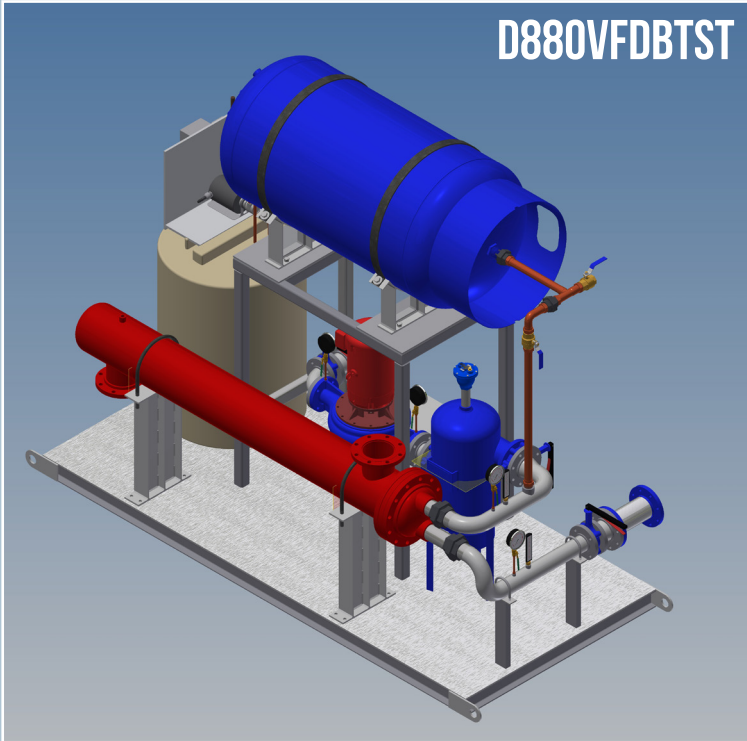


BUILT WITH :



AUTODESK
REVIT

D880VFD BTST



HYDRONIC HEATING PUMP SYSTEM TECHNICAL DATA

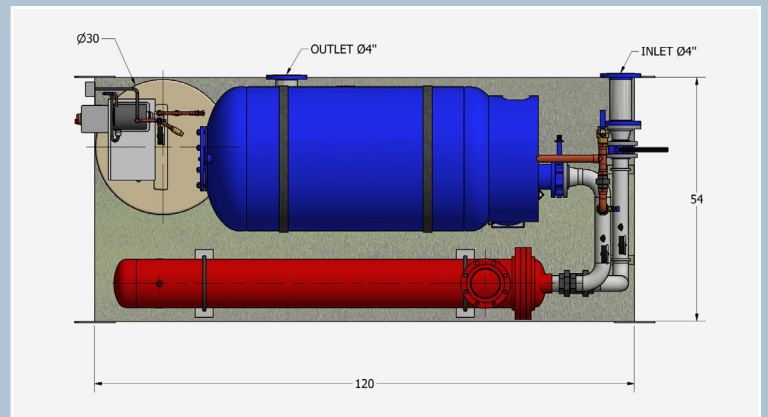
Simplex Inline Pump
Model 880

Capacity
195 GPM
55 Ft. head
each

Expansion Bladder Tank
Capacity
211 GAL.

Heat Exchanger
Shell & Tubes

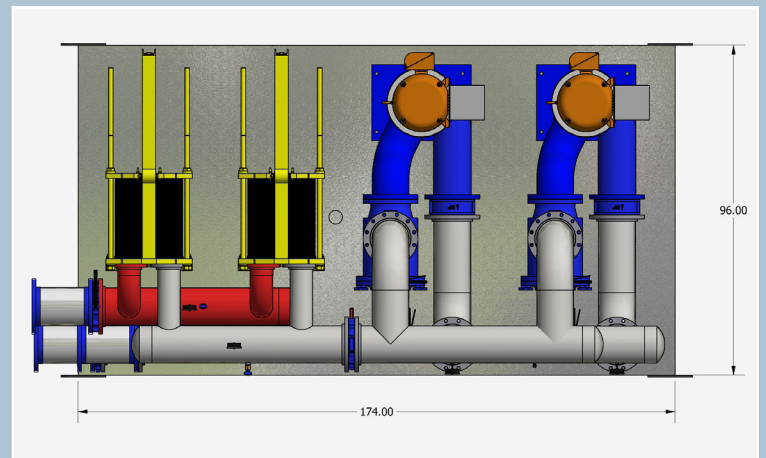
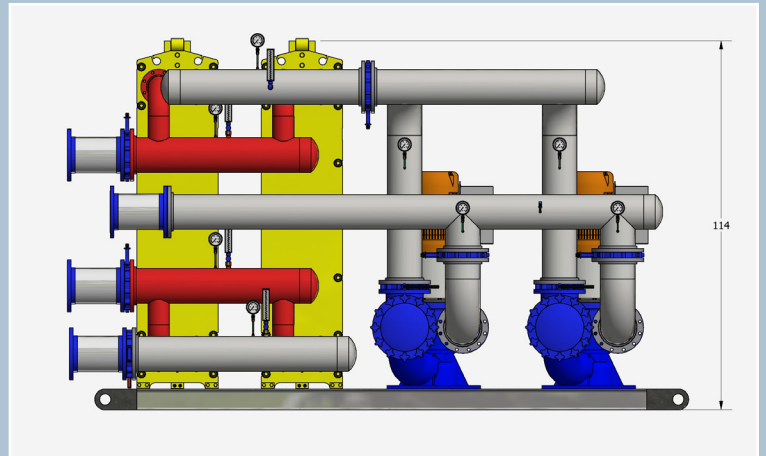
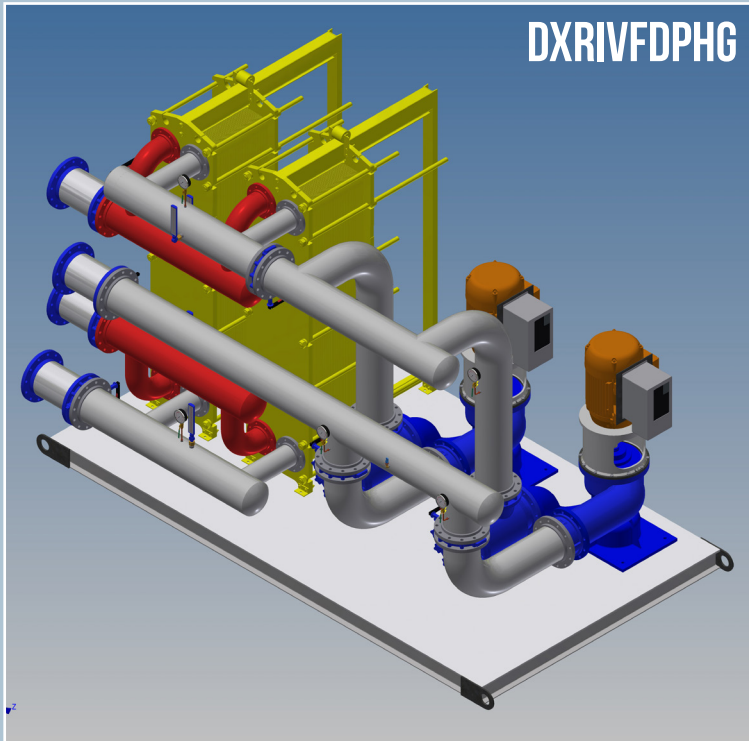
Simplex Glycol Feed
Capacity
52 GAL.



BUILT WITH :



AUTODESK
REVIT



HYDRONIC HEATING DUPLEX PUMPS SYSTEM TECHNICAL DATA

Duplex Pumps
Model XRI

Capacity
2550 GPM
40 Ft. head
each

Two Heat Exchangers
Plates & Frame



BUILT WITH :

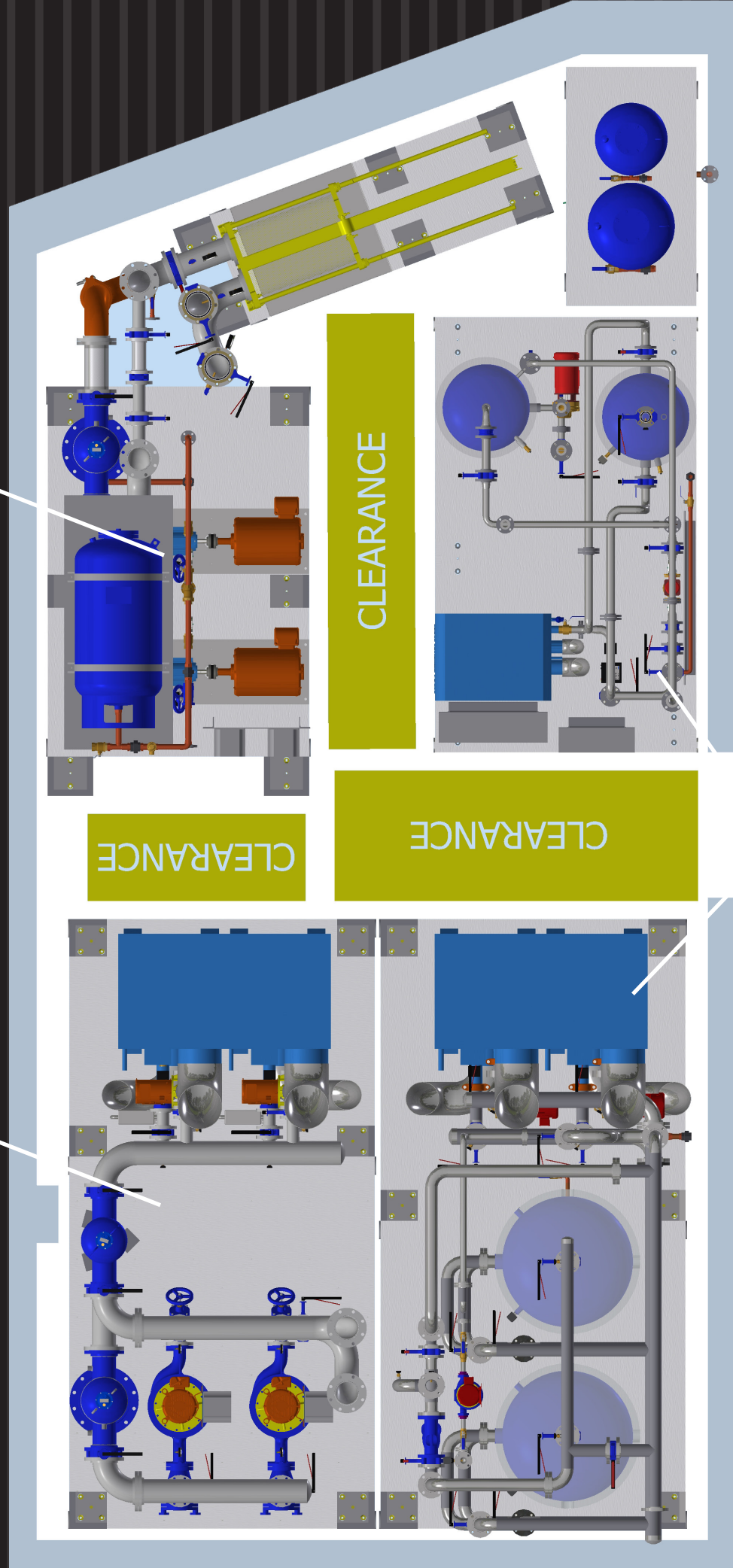


AUTODESK
REVIT

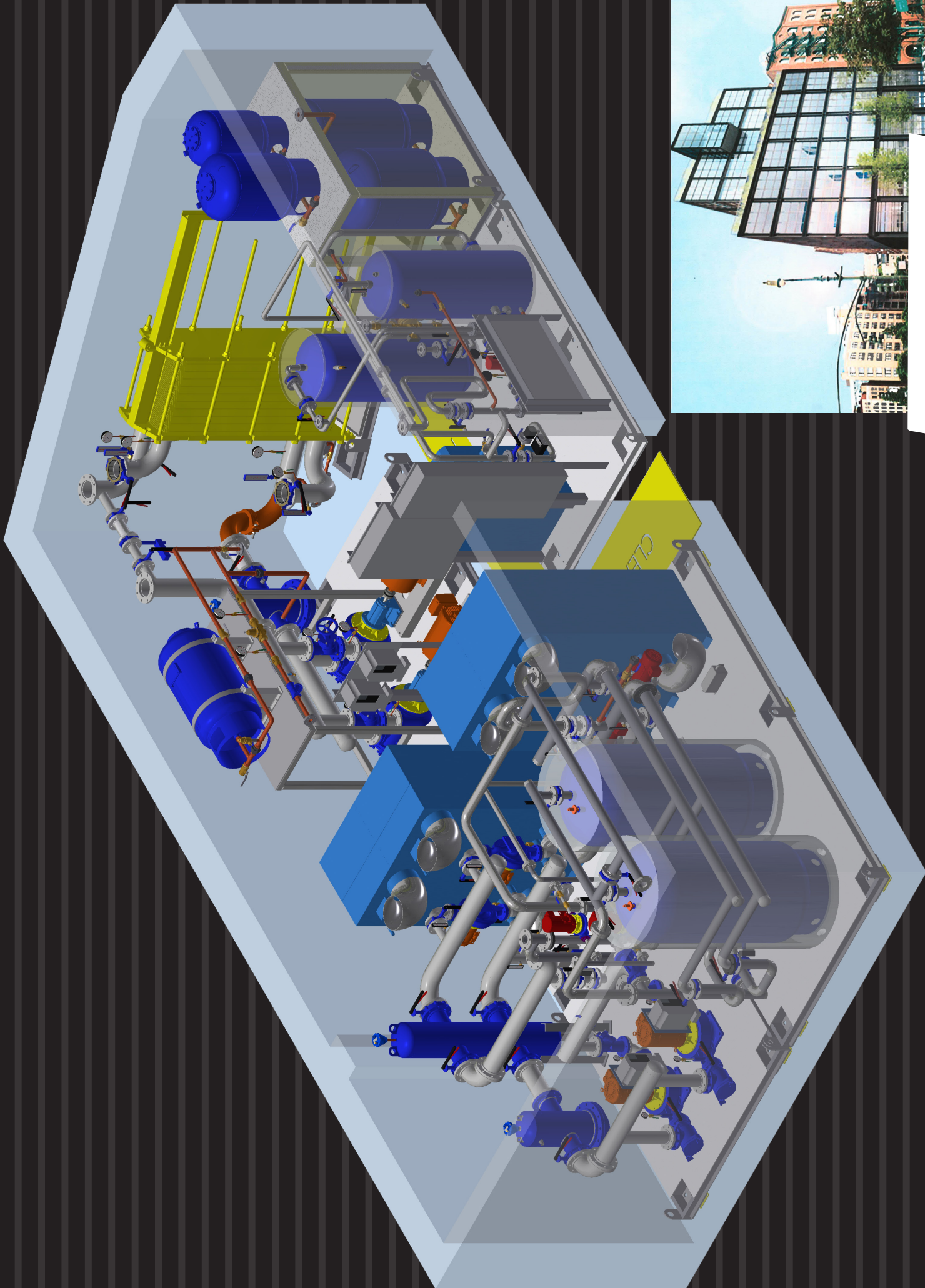
Typical Mechanical Room

Hydronic Heating System Skid

Hydronic Cooling System Skid



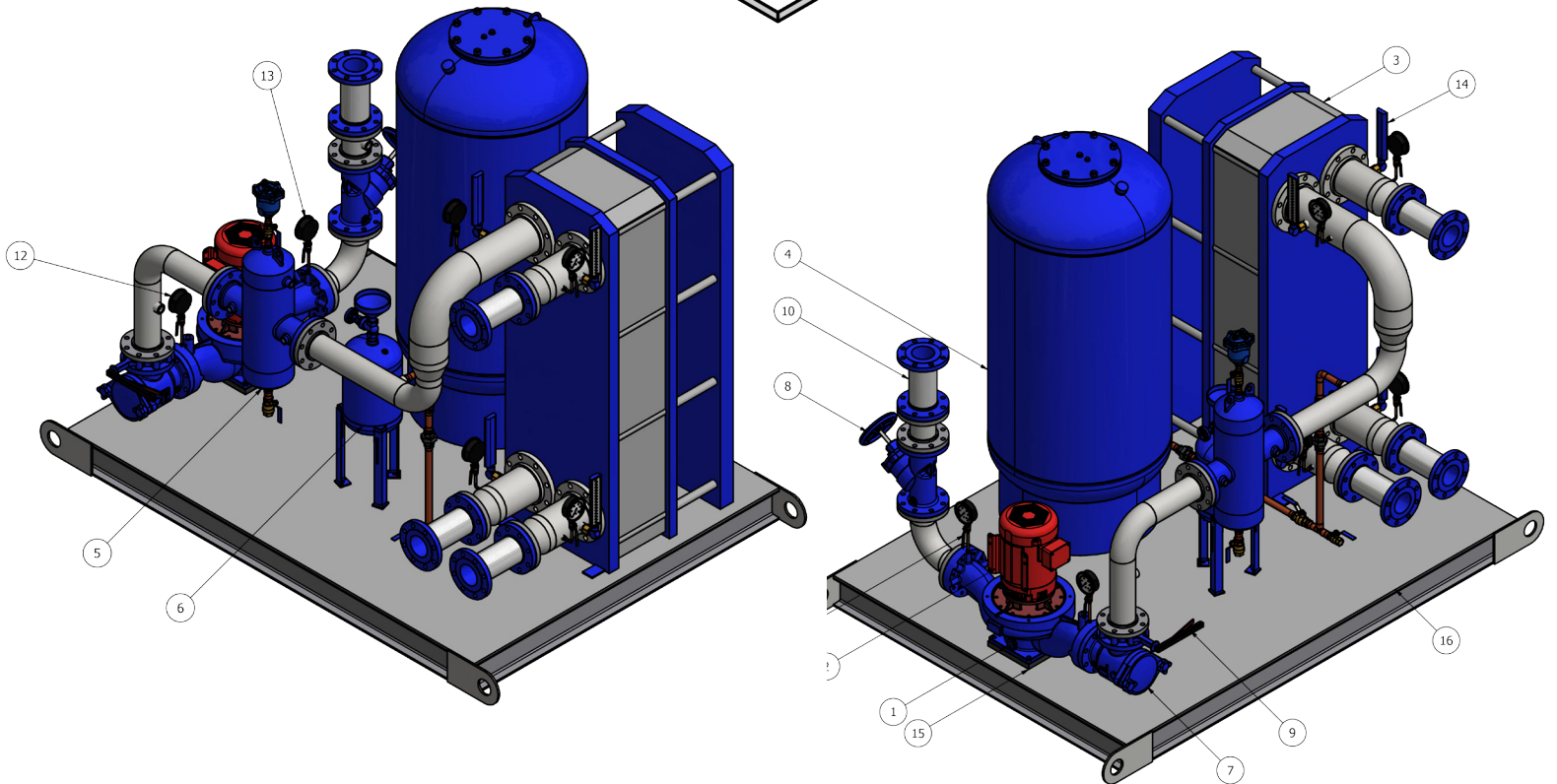
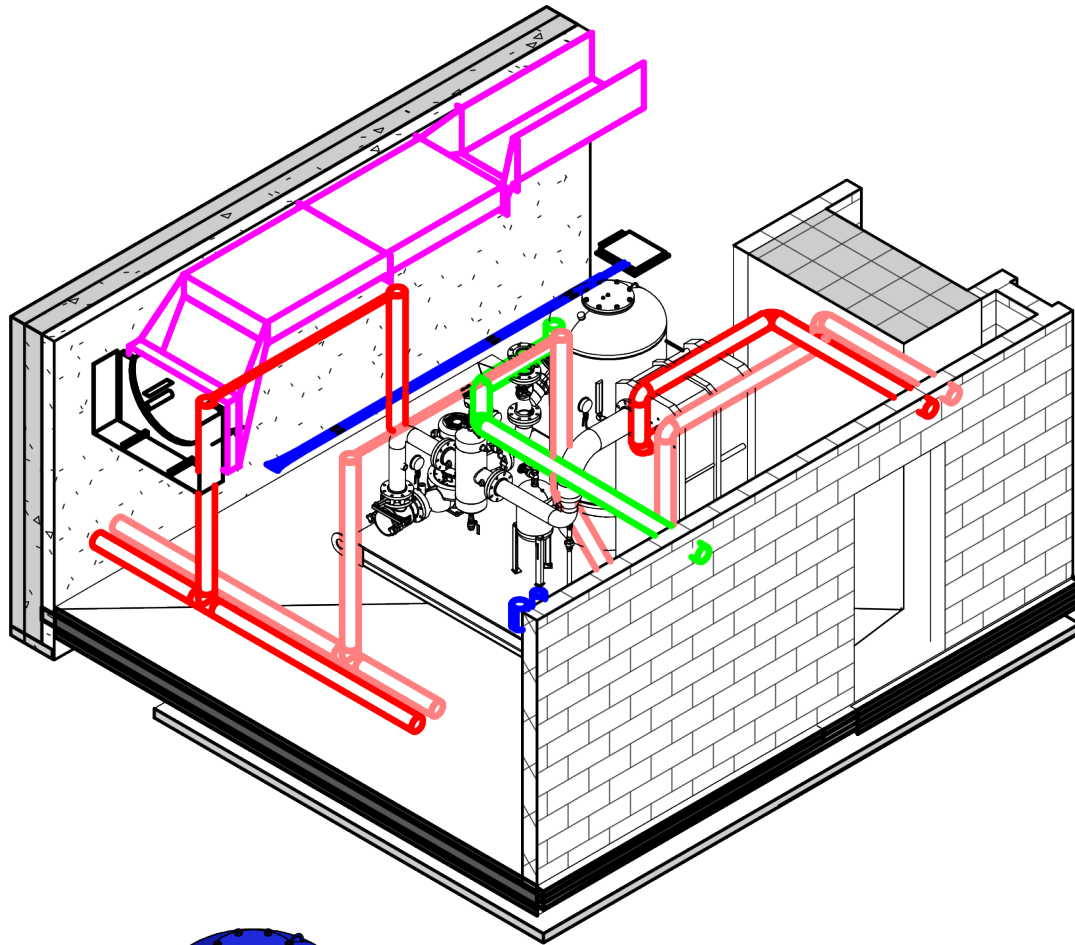
Hot Water Domestic Skids



**POD HOTEL, NEW YORK,
UNITED-STATES**



How it looks in the field inside the building ?





How it looks in the field outside the building ?

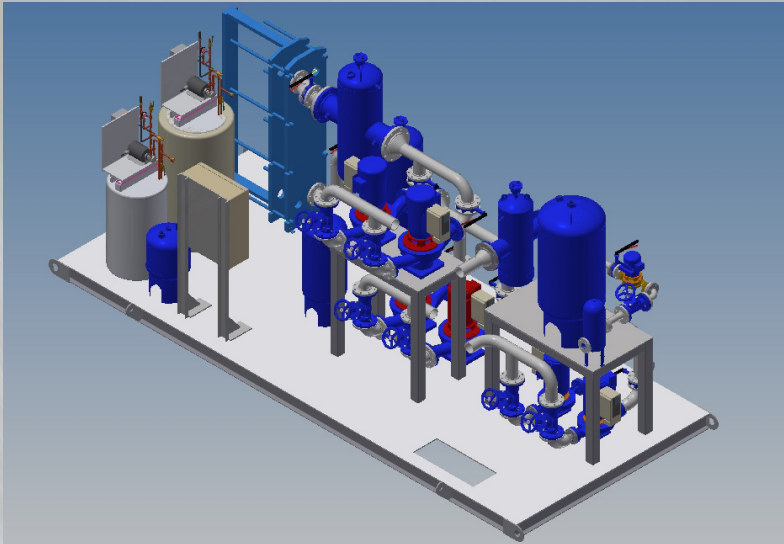




HYDRONICS COOLING/HEATING/DOMESTIC PACKAGES



How it looks inside a shelter ?



We are proud supplier for the following completed and on going case studies projects :



Rockefeller Plaza
New York, NY, US
<http://www.rockefellercenter.com>



La Malbaie Hospital
La Malbaie, Quebec, Canada
www.cssscharlevoix.qc.ca



Old Montreal College
Montreal, Quebec, Canada
www.cvm.qc.ca



Wananesa Quebec
Montreal, Quebec, Canada
www.wananesa.com



The Gazette
Montréal, Quebec, Canada
www.montrealgazette.com



Tommy Bahama
New York City, NY, U.S.A.
www.tommybahama.com

Sales and Service:

Quebec, Canada
Tel. : (450) 621-2995
Fax : (450) 621-4995

Toronto, Canada
Tel. : +1 (647) 544-2995

Lake Worth
Florida, USA
33467-5749

www.flofab.com

SERVICE 24/7 : parts@flofab.com

