

PARTS LIST		
ITEM	QTY	DESCRIPTION
1	1	SKID
2	2	P1-P2_PUMP_2000-F1030A
3	2	MOTOR 10HP/1750RPM/215T
4	1	VFD FRAME
5	2	VFD Q1B1A028
12	1	SHELTER

DRAWING %	
FABRICATION	
100%	
90%	
75%	
50%	
PRELIMINARY	X

NOTE:
 - ALL PIPING IN STEEL SA106GRB
 STANDARD SCHEDULE 40

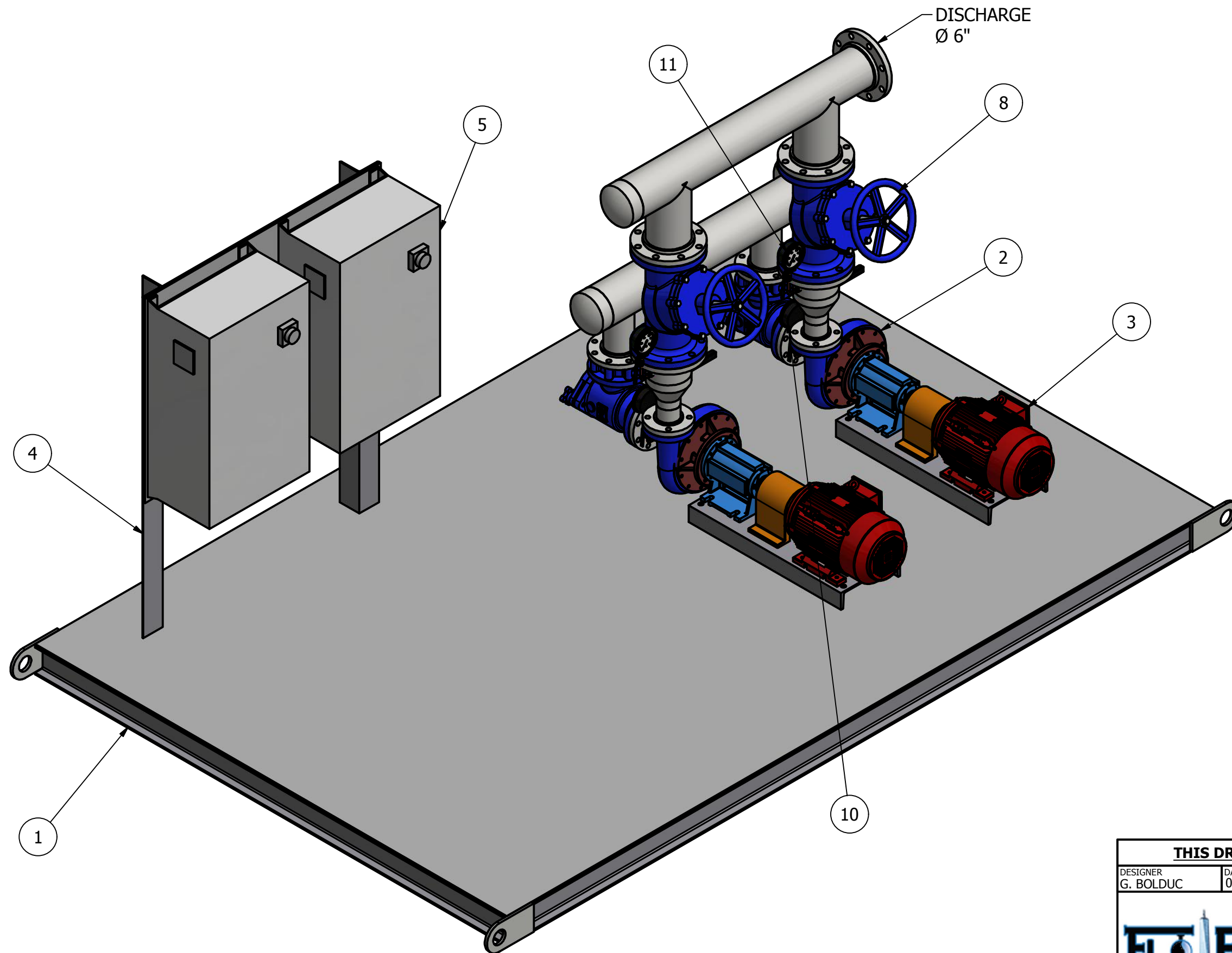
REVISION HISTORY		
REV	DESCRIPTION	DATE
1	PRELIMINARY DRAWINGS (G.B.)	05/27/2016
2	VFD UPDATE (G.B.)	05/30/2016

THIS DRAWING MUST BE SENT WITH PURCHASE ORDER


DESIGNER G. BOLDUC	DATE 05/30/2016	TITLE / TITRE DUPLEX HEAT/COOL 2000 PUMP SYSTEM
PROJECT / PROJET		
CUSTOMER / CLIENT		
QUOTE	TAG	
DWG NO.		REV 2
SCALE / ECHELLE 1/20	JOB NO.	SHEET 1 OF 4

MONTREAL, (QC), CANADA
 TORONTO, (ON), CANADA
 LAKE WORTH, (FL), USA
 WWW.FLOFAB.COM

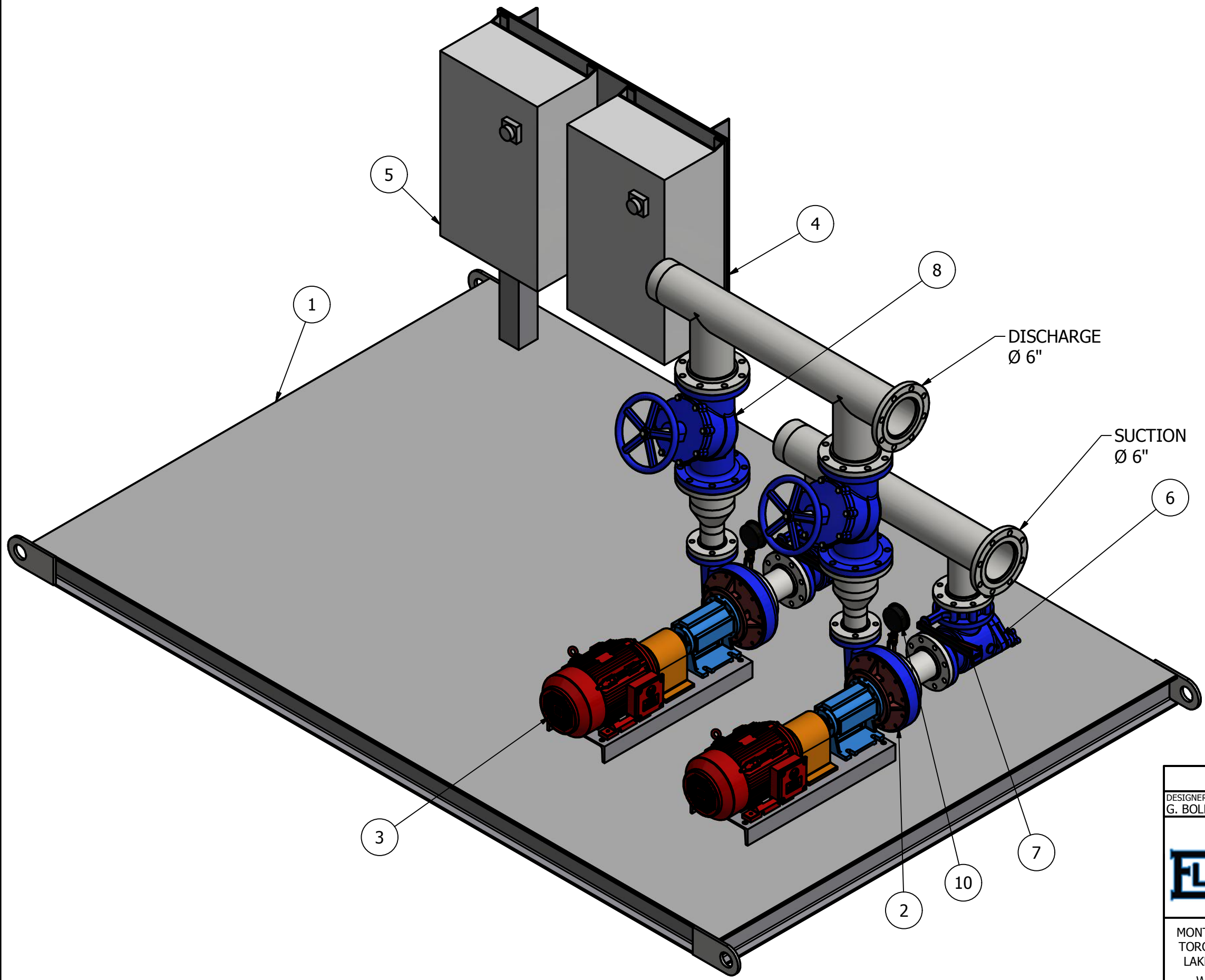





PARTS LIST		
ITEM	QTY	DESCRIPTION
1	1	SKID
2	2	P1-P2_PUMP_2000-F1030A
3	2	MOTOR 10HP/1750RPM/215T
4	1	VFD FRAME
5	2	VFD Q1B1A028
8	2	MULTI-FUNCTION VALVE 6"
10	2	PRESSURE GAUGE - 0-100 PSI - RFF0400LF1-423
11	2	PRESSURE GAUGE - 0-200 PSI - RFF0400LF1-426

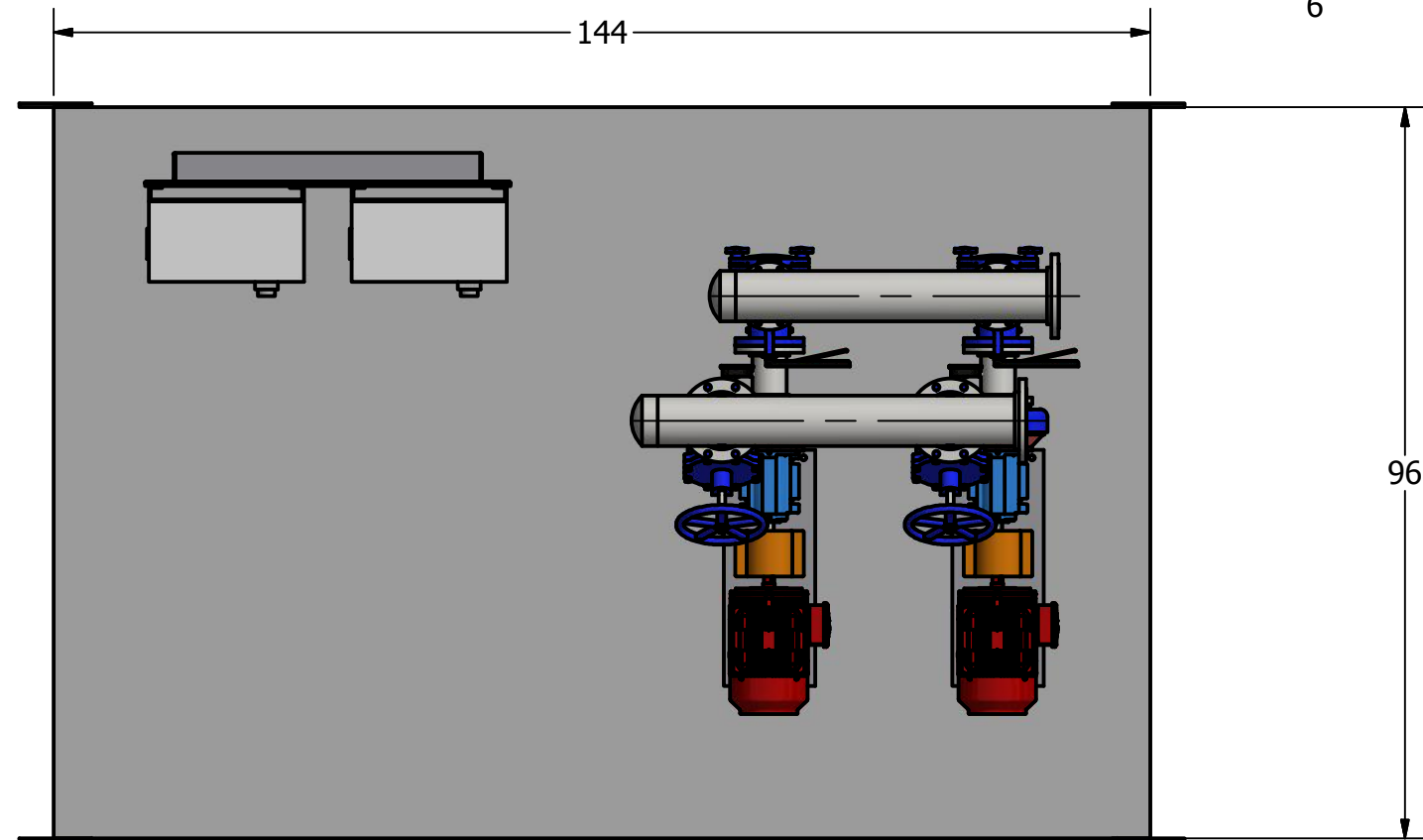
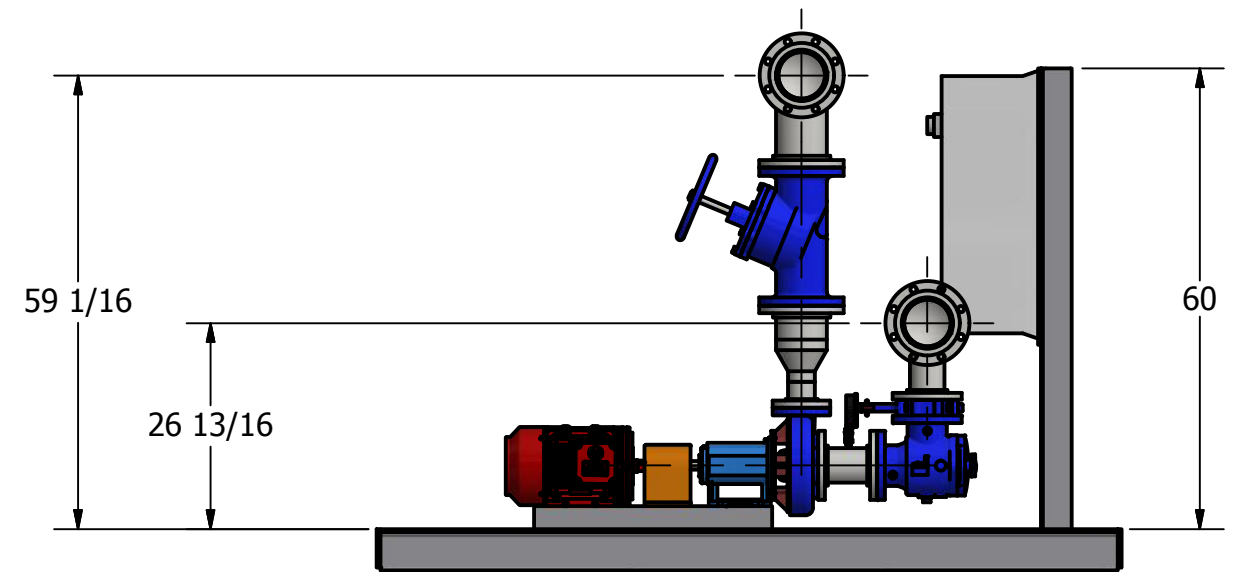
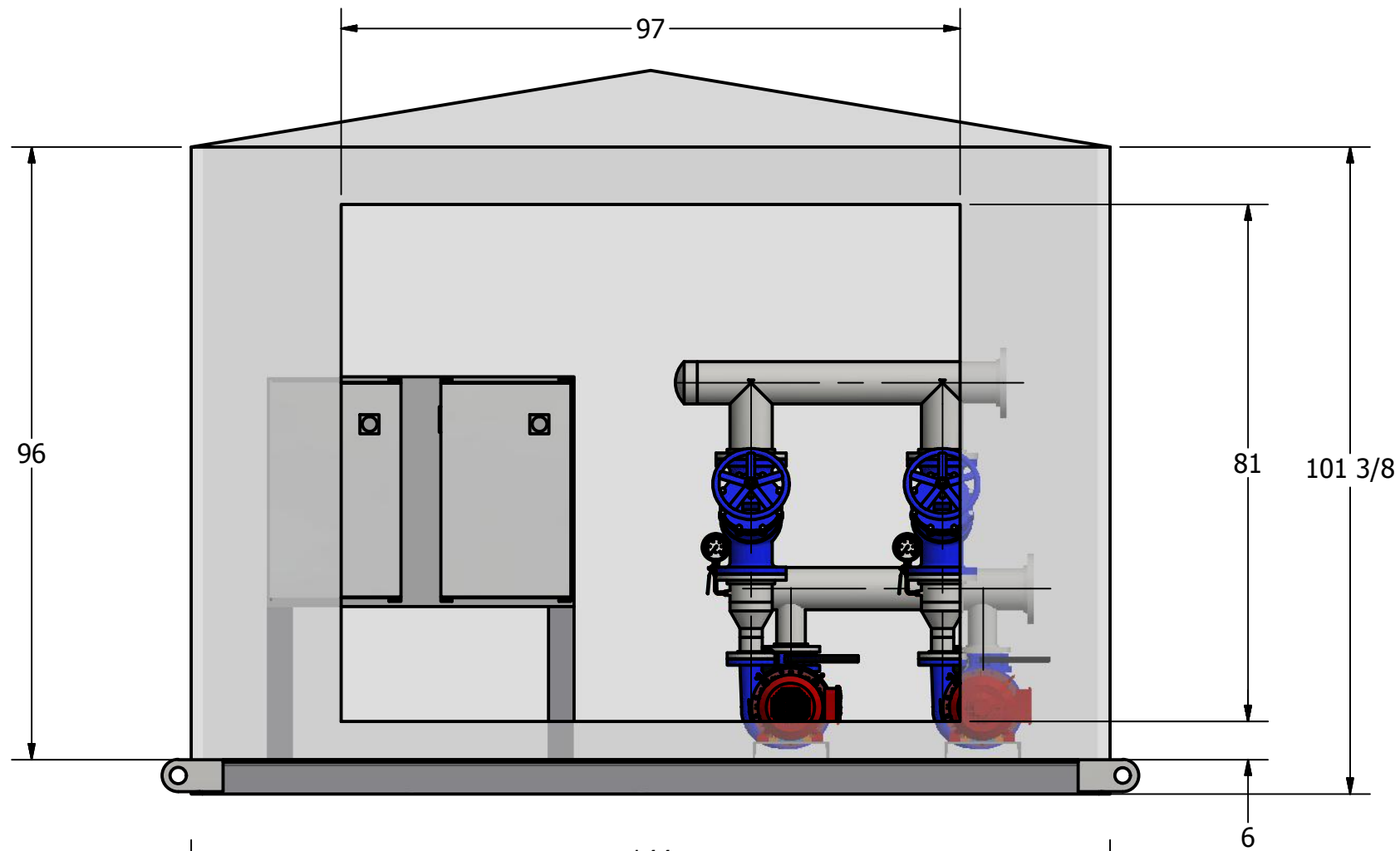
THIS DRAWING MUST BE SENT WITH PURCHASE ORDER			
DESIGNER G. BOLDUC	DATE 05/30/2016	TITLE / TITRE DUPLEX HEAT/COOL 2000 PUMP SYSTEM	
		PROJECT / PROJET	
		CUSTOMER / CLIENT	
MONTREAL, (QC), CANADA TORONTO, (ON), CANADA LAKE WORTH, (FL), USA WWW.FLOFAB.COM		QUOTE	TAG
DWG NO.		REV 2	
SCALE / ECHELLE 1/15	JOB NO.	SHEET 2 OF 4	


PARTS LIST		
ITEM	QTY	DESCRIPTION
1	1	SKID
2	2	P1-P2_PUMP_2000-F1030A
3	2	MOTOR 10HP/1750RPM/215T
4	1	VFD FRAME
5	2	VFD Q1B1A028
6	2	SUCTION DIFFUSER 4" X 4"
7	2	BUTTERFLY VALVE 4"
8	2	MULTI-FUNCTION VALVE 6"
10	2	PRESSURE GAUGE - 0-100 PSI - RFF0400LF1-423



THIS DRAWING MUST BE SENT WITH PURCHASE ORDER

DESIGNER G. BOLDUC	DATE 05/30/2016	TITLE / TITRE DUPLIX HEAT/COOL 2000 PUMP SYSTEM
		PROJECT / PROJET
		CUSTOMER / CLIENT
MONTREAL, (QC), CANADA TORONTO, (ON), CANADA LAKE WORTH, (FL), USA WWW.FLOFAB.COM		QUOTE _____ TAG _____ DWG NO. _____ REV 2 SCALE / ECHELLE 1/15 JOB NO. _____ SHEET 3 OF 4



THIS DRAWING MUST BE SENT WITH PURCHASE ORDER			
DESIGNER G. BOLDUC	DATE 05/30/2016	TITLE / TITRE DUPLEX HEAT/COOL 2000 PUMP SYSTEM	
		PROJECT / PROJET	
		CUSTOMER / CLIENT	
MONTREAL, (QC), CANADA TORONTO, (ON), CANADA LAKE WORTH, (FL), USA WWW.FLOFAB.COM		QUOTE	TAG
SCALE / ECHELLE 1/25		DWG NO.	REV 2
JOB NO.		SHEET 4 OF 4	