

PARTS LIST		
ITEM	QTY	DESCRIPTION
1	1	BT1-CGL-0EN 1000GAL TANK (COLD WATER-GLYCOL)
2	2	PUMP PU1-CGL-0EN
3	2	MOTOR
4	2	SUCTION DIFFUSER 4" X 4"
5	1	CHEMICAL POT FEEDER - 2 GALLON
6	4	BUTTERFLY VALVE 4"
7	2	WAFER CHECK VALVE 4"
8	1	BUTTERFLY VALVE 6"
9	4	BALL VALVE 1/4"
10	2	PRESSURE GAUGE - 0-100 PSI - RFF0400LF1-423
11	2	PRESSURE GAUGE - 0-200 PSI - RFF0400LF1-426
12	2	VFD - IQP1000-5A0009FAANEMA1
13	2	VFD PLATE 800RI
14	1	SUCTION HEADER
15	1	DISCHARGE HEADER
16	1	SPOOL
17	2	SUCTION SPOOL
18	2	DISCHARGE SPOOL
19	1	DISCHARGE ELBOW
20	2	DISCHARGE ELBOW

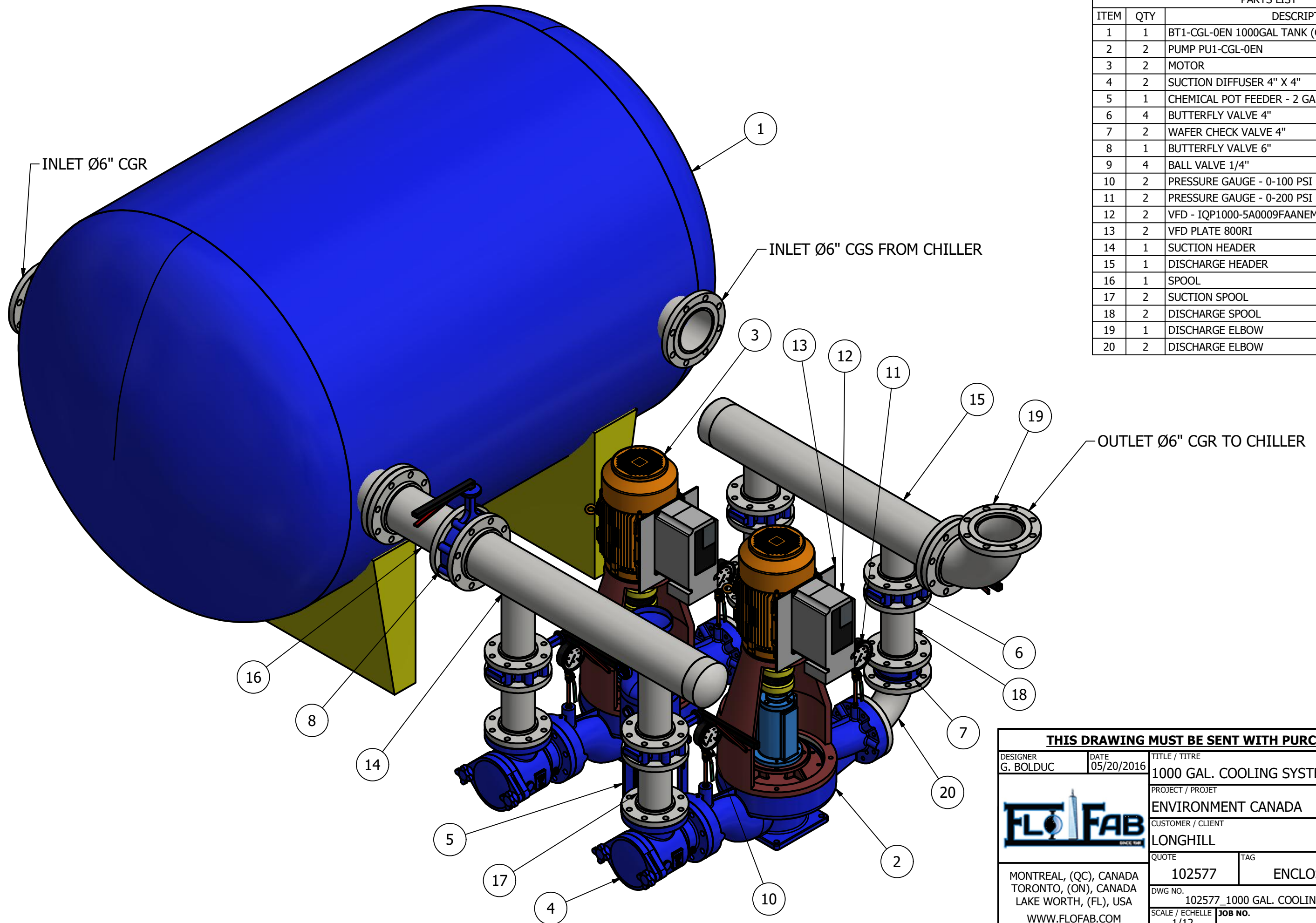
OUTLET Ø6" CGS

INLET Ø6" CGS

OUTLET Ø6" CGS


THIS DRAWING MUST BE SENT WITH PURCHASE ORDER

DESIGNER G. BOLDUC	DATE 05/20/2016	TITLE / TITRE 1000 GAL. COOLING SYSTEM
PROJECT / PROJET ENVIRONMENT CANADA		CUSTOMER / CLIENT LONGHILL
QUOTE 102577	TAG ENCLOSURE PACKAGE	
MONTREAL, (QC), CANADA TORONTO, (ON), CANADA LAKE WORTH, (FL), USA WWW.FLOFAB.COM		DWG NO. 102577_1000 GAL. COOLING SYSTEM SCALE / ECHELLE 1/12
REV 1		JOB NO. SHEET 7 OF 12

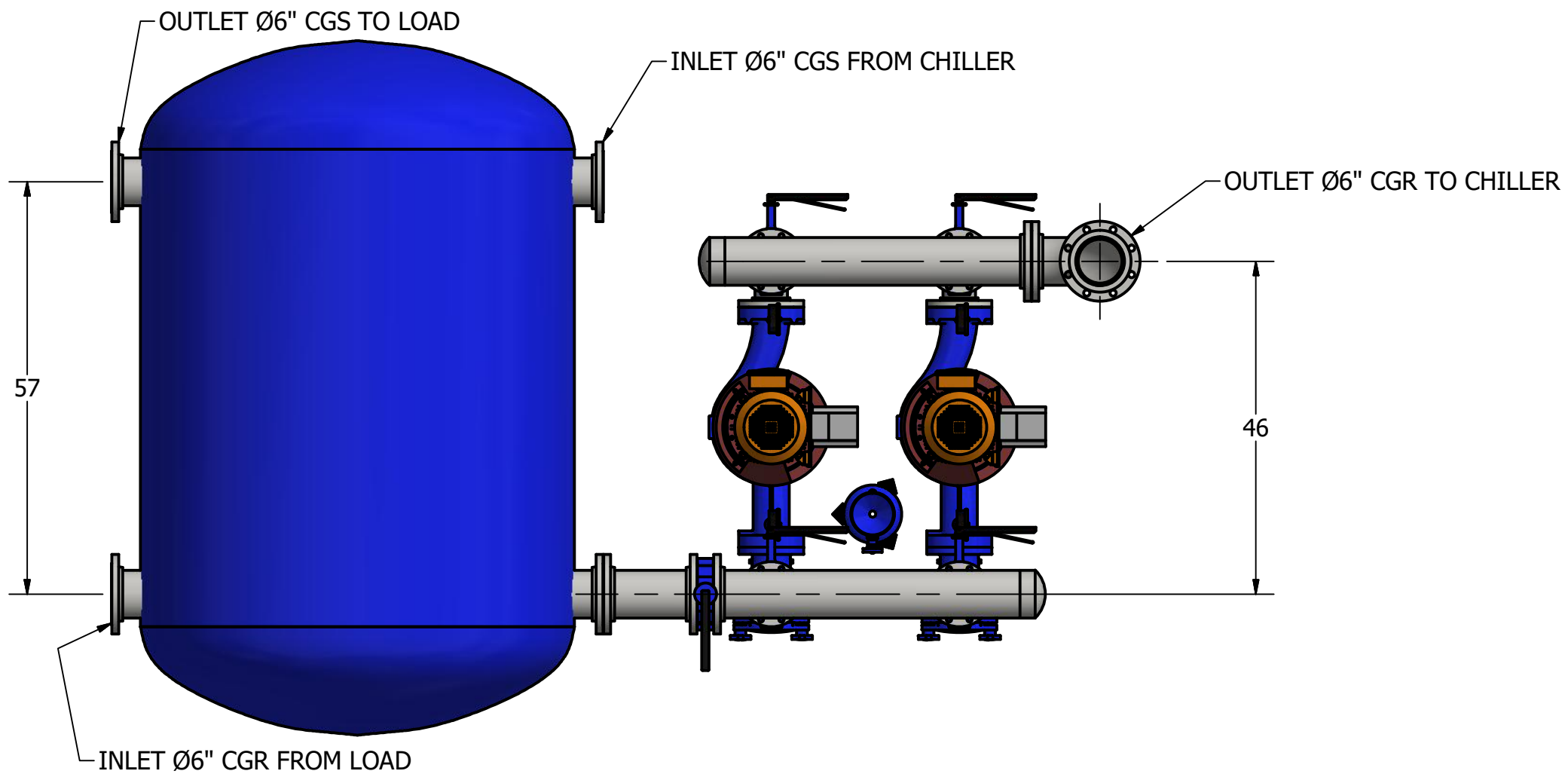
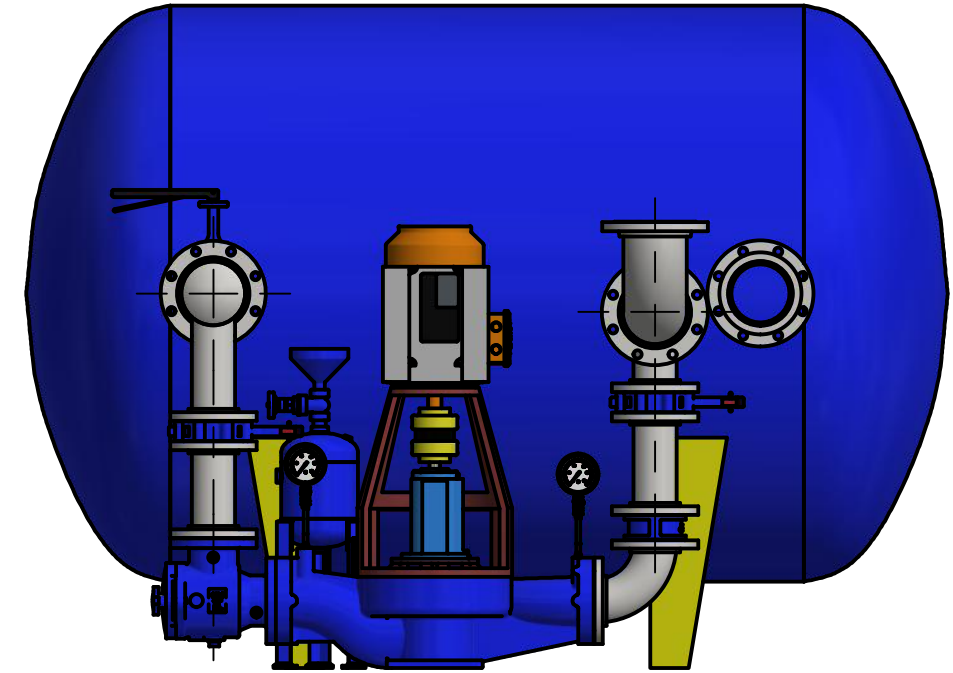
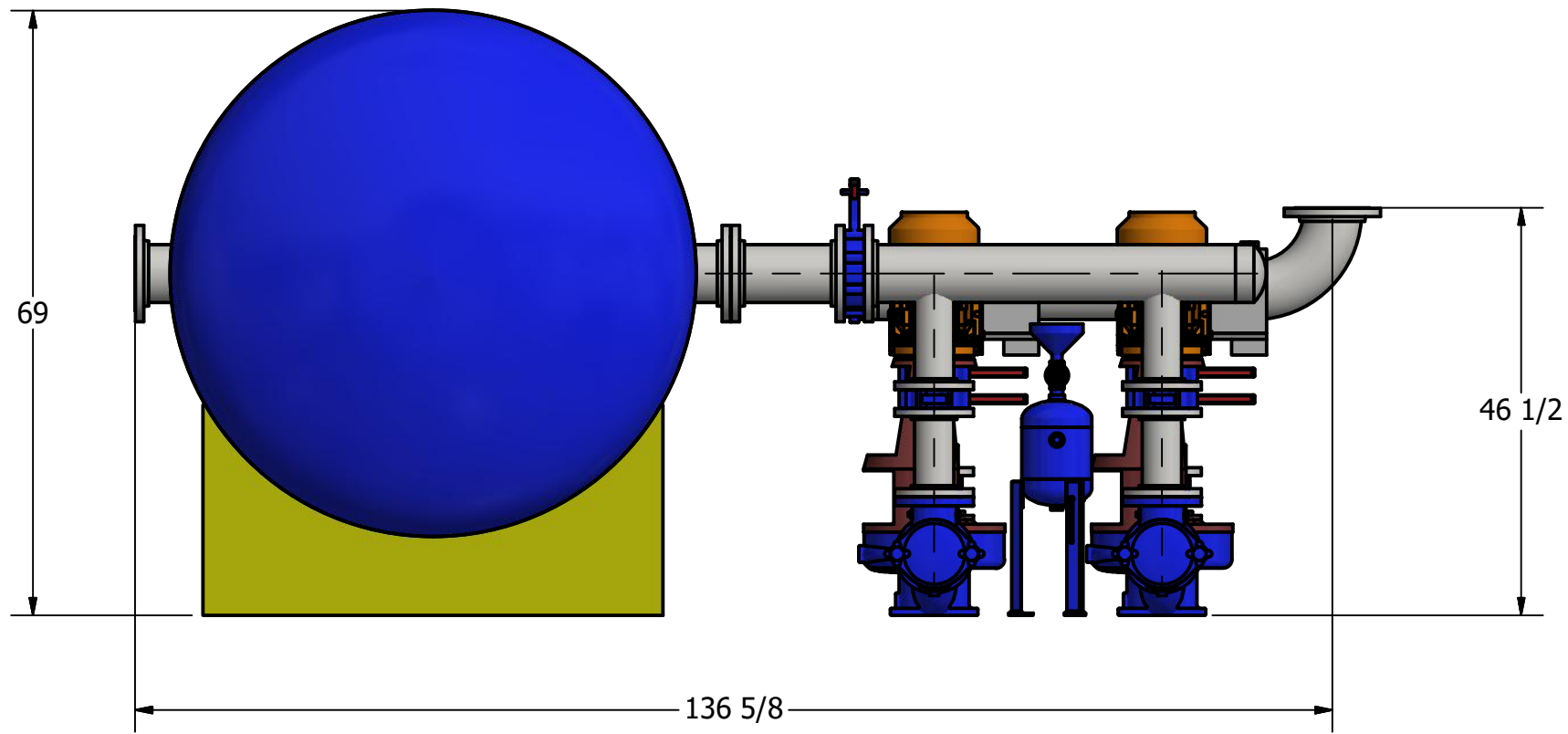



PARTS LIST		
ITEM	QTY	DESCRIPTION
1	1	BT1-CGL-0EN 1000GAL TANK (COLD WATER-GLYCOL)
2	2	PUMP PU1-CGL-0EN
3	2	MOTOR
4	2	SUCTION DIFFUSER 4" X 4"
5	1	CHEMICAL POT FEEDER - 2 GALLON
6	4	BUTTERFLY VALVE 4"
7	2	WAFER CHECK VALVE 4"
8	1	BUTTERFLY VALVE 6"
9	4	BALL VALVE 1/4"
10	2	PRESSURE GAUGE - 0-100 PSI - RFF0400LF1-423
11	2	PRESSURE GAUGE - 0-200 PSI - RFF0400LF1-426
12	2	VFD - IQP1000-5A0009FAANEMA1
13	2	VFD PLATE 800RI
14	1	SUCTION HEADER
15	1	DISCHARGE HEADER
16	1	SPOOL
17	2	SUCTION SPOOL
18	2	DISCHARGE SPOOL
19	1	DISCHARGE ELBOW
20	2	DISCHARGE ELBOW

THIS DRAWING MUST BE SENT WITH PURCHASE ORDER

DESIGNER G. BOLDUC	DATE 05/20/2016	TITLE / TITRE 1000 GAL. COOLING SYSTEM	
		PROJECT / PROJET ENVIRONMENT CANADA	
		CUSTOMER / CLIENT LONGHILL	
MONTREAL, (QC), CANADA TORONTO, (ON), CANADA LAKE WORTH, (FL), USA WWW.FLOFAB.COM		QUOTE 102577	TAG ENCLOSURE PACKAGE
DWG NO. 102577_1000 GAL. COOLING SYSTEM		REV 1	
SCALE / ECHELLE 1/12		JOB NO.	

SHEET 8 OF 12



THIS DRAWING MUST BE SENT WITH PURCHASE ORDER			
DESIGNER G. BOLDUC	DATE 05/20/2016	TITLE / TITRE 1000 GAL. COOLING SYSTEM	
		PROJECT / PROJET ENVIRONMENT CANADA	
		CUSTOMER / CLIENT LONGHILL	
MONTREAL, (QC), CANADA TORONTO, (ON), CANADA LAKE WORTH, (FL), USA WWW.FLOFAB.COM		QUOTE 102577	TAG ENCLOSURE PACKAGE
DWG NO. 102577_1000 GAL. COOLING SYSTEM		REV 1	
SCALE / ECHELLE 1/20		JOB NO.	
			SHEET 9 OF 12