

PARTS LIST		
ITEM	ITEM QTY	DESCRIPTION
1	1	SKID
2	1	SHELTER
3	1	AIR COOLED CHILLER
4	2	1000-C825A PUMP
5	2	BRACKET 8" IRON 143-215 JM F1
6	2	MOTOR 5HP 230V 184JM
7	2	VFD - IQP1000-2A0018FAANEMA1
8	1	SINGLE POINT POWER SUPPLY
9	1	BT-400V EXPANSION TANK
10	1	AIR SEPARATOR, SEP-4
11	1	BUFFER TANK 210 GAL.
12	2	SUCTION DIFFUSER 3" X 3"
13	2	MFV 2.5"
14	2	BUTTERFLY VALVE 3"
15	1	BUTTERFLY VALVE 4"
16	1	STAINLESS STEEL FLEXIBLE CONNECTOR 4"
17	1	AIR VENT - MV .75"
18	2	THERMOMETER
19	4	BALL VALVE 1/4"
20	4	PRESSURE GAUGE - 0-160 PSI - RFF0400LF1-425
21	1	PRESSURE TRANSMITTER
40	2	CONNECTION PIPE CHILLER
42	1	BUTTERFLY VALVE 2-1/2"
43	1	BALL VALVE 2-1/2"

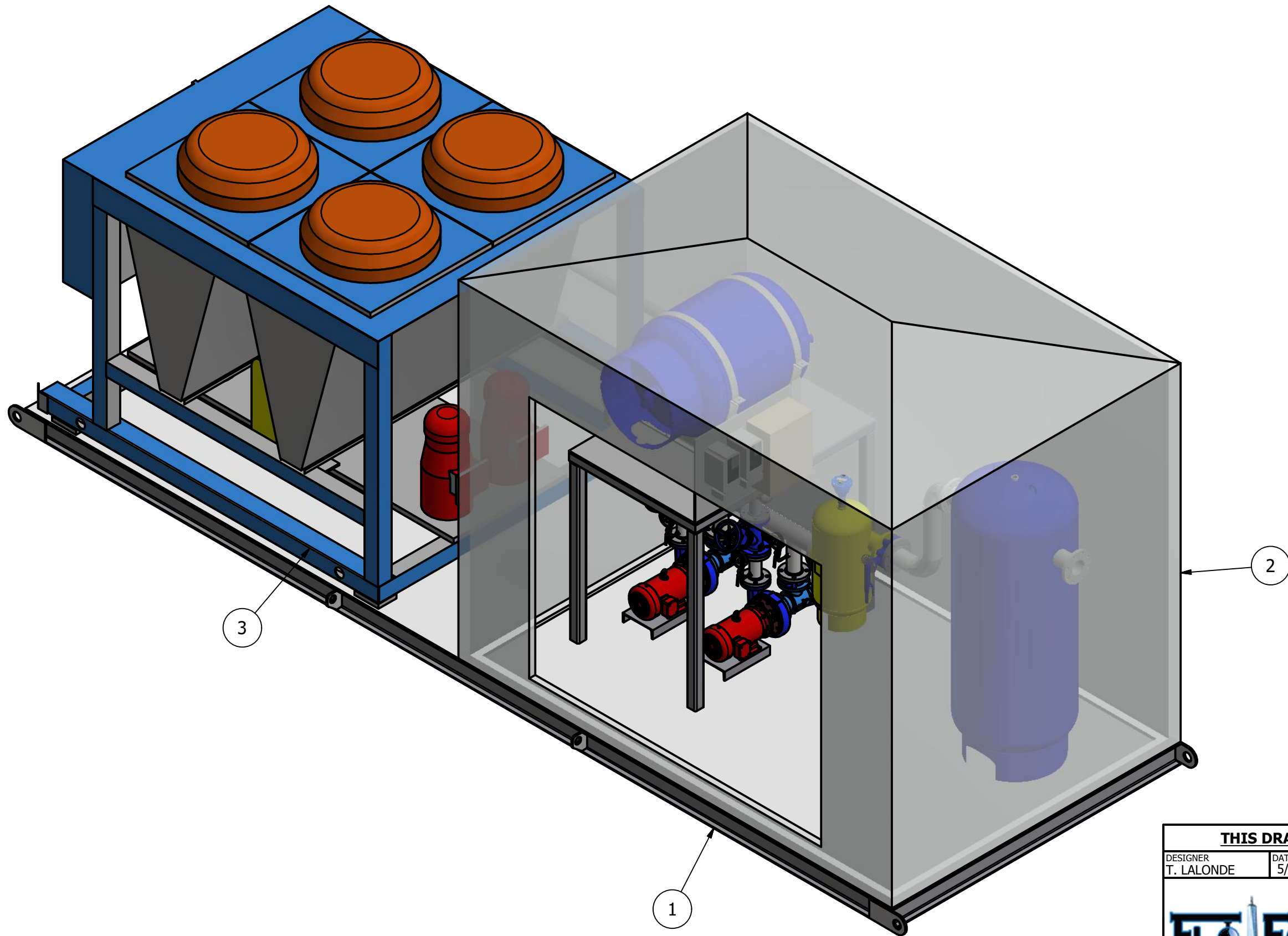
DRAWING %	
FABRICATION	
100%	
90%	X
75%	
50%	
PRELIMINARY	

REVISION HISTORY		
REV	DESCRIPTION	DATE
1	PRELIMINARY DRAWINGS	05/26/2016
2	EXTEND SKID FRAME	05/27/2016

**THIS DRAWING MUST BE SENT WITH PURCHASE ORDER**

DESIGNER T. LALONDE	DATE 5/27/2016	TITLE / TITRE ENCLOSURE-PACK_COOLING-SYSTEM
PROJECT / PROJET Wing Kei		CUSTOMER / CLIENT EXEL SYSTEMS AB
QUOTE 108952	TAG ENCLOSURE-PACK_COOLING PUMP SYSTEM	DWG NO. 108952_ENCLOSURE-PACK_COOLING-SYSTEM
SCALE / ECHELLE 1/25	JOB NO.	REV 2
MONTREAL, (QC), CANADA TORONTO, (ON), CANADA LAKE WORTH, (FL), USA WWW.FLOFAB.COM		SHEET 1 OF 7


**NOTE:**  
- ALL PIPING IN STEEL SA106GRB SCH-40

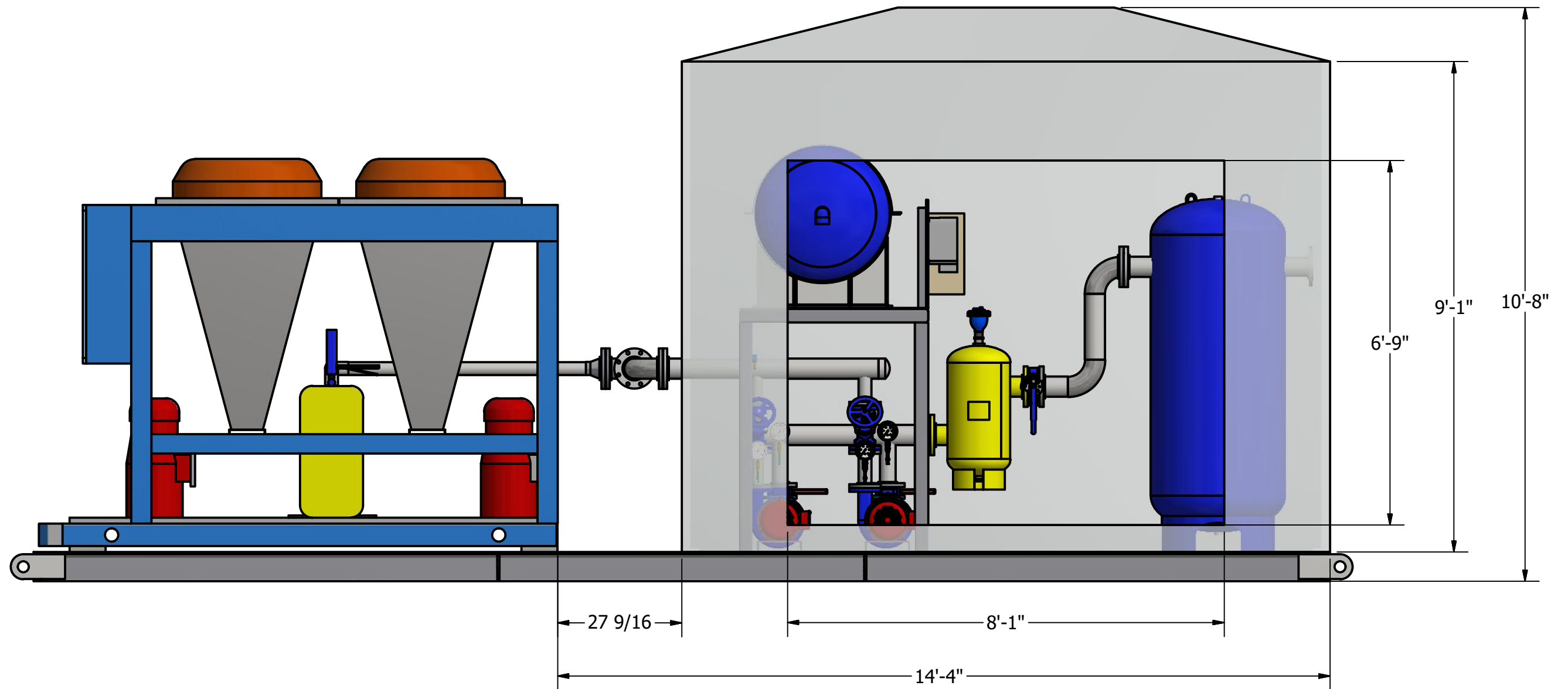


PARTS LIST		
ITEM	ITEM QTY	DESCRIPTION
1	1	SKID
2	1	SHELTER
3	1	AIR COOLED CHILLER
4	2	1000-C825A PUMP
5	2	BRACKET 8" IRON 143-215 JM F1
6	2	MOTOR 5HP 230V 184JM
7	2	VFD - IQP1000-2A0018FAANEMA1
8	1	SINGLE POINT POWER SUPPLY
9	1	BT-400V EXPANSION TANK
10	1	AIR SEPARATOR, SEP-4
11	1	BUFFER TANK 210 GAL.
12	2	SUCTION DIFFUSER 3" X 3"
13	2	MFV 2.5"
14	2	BUTTERFLY VALVE 3"
15	1	BUTTERFLY VALVE 4"
16	1	STAINLESS STEEL FLEXIBLE CONNECTOR 4"
17	1	AIR VENT - MV .75"
18	2	THERMOMETER
19	4	BALL VALVE 1/4"
20	4	PRESSURE GAUGE - 0-160 PSI - RFF0400LF1-425
21	1	PRESSURE TRANSMITTER
40	2	CONNECTION PIPE CHILLER
42	1	BUTTERFLY VALVE 2-1/2"
43	1	BALL VALVE 2-1/2"

**NOTE:**


- ALL PIPING IN STEEL SA106GRB SCH-40

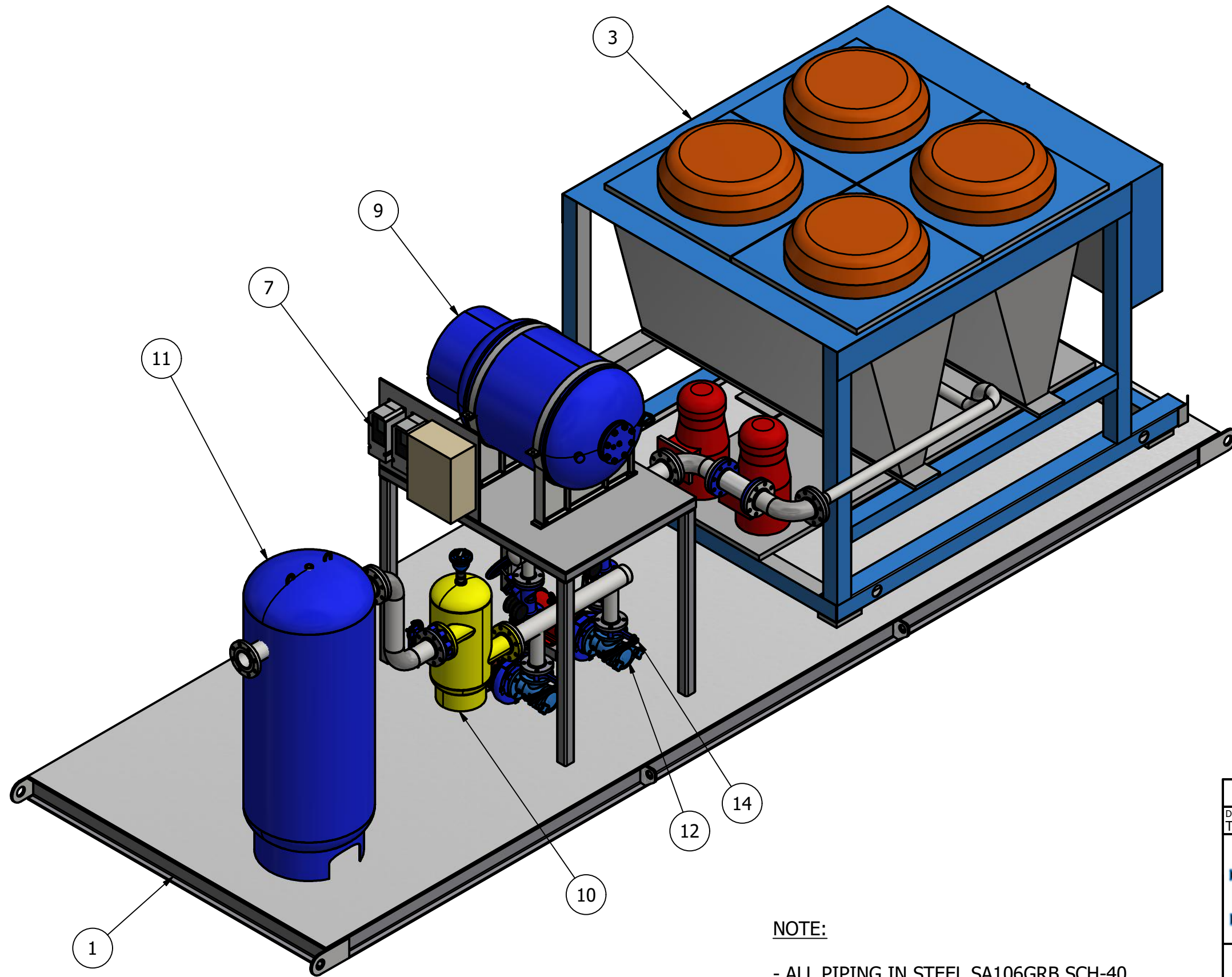
<b>THIS DRAWING MUST BE SENT WITH PURCHASE ORDER</b>			
DESIGNER T. LALONDE	DATE 5/27/2016	TITLE / TITRE ENCLOSURE-PACK_COOLING-SYSTEM	
		PROJECT / PROJET Wing Kei	
		CUSTOMER / CLIENT EXEL SYSTEMS AB	
MONTREAL, (QC), CANADA TORONTO, (ON), CANADA LAKE WORTH, (FL), USA WWW.FLOFAB.COM		QUOTE 108952	TAG ENCLOSURE-PACK_COOLING PUMP SYSTEM
		DWG NO. 108952_ENCLOSURE-PACK_COOLING-SYSTEM	REV 2
SCALE / ECHELLE 1/25		JOB NO.	
			SHEET 2 OF 7



**NOTE:**

- ALL PIPING IN STEEL SA106GRB SCH-40


THIS DRAWING MUST BE SENT WITH PURCHASE ORDER			
DESIGNER T. LALONDE	DATE 5/27/2016	TITLE / TITRE ENCLOSURE-PACK_COOLING-SYSTEM	
		PROJECT / PROJET Wing Kei	
		CUSTOMER / CLIENT EXEL SYSTEMS AB	
MONTREAL, (QC), CANADA TORONTO, (ON), CANADA LAKE WORTH, (FL), USA WWW.FLOFAB.COM		QUOTE 108952	TAG ENCLOSURE-PACK_COOLING PUMP SYSTEM
		DWG NO. 108952_ENCLOSURE-PACK_COOLING-SYSTEM	REV 2
		SCALE / ECHELLE 1/25	JOB NO. SHEET 3 OF 7

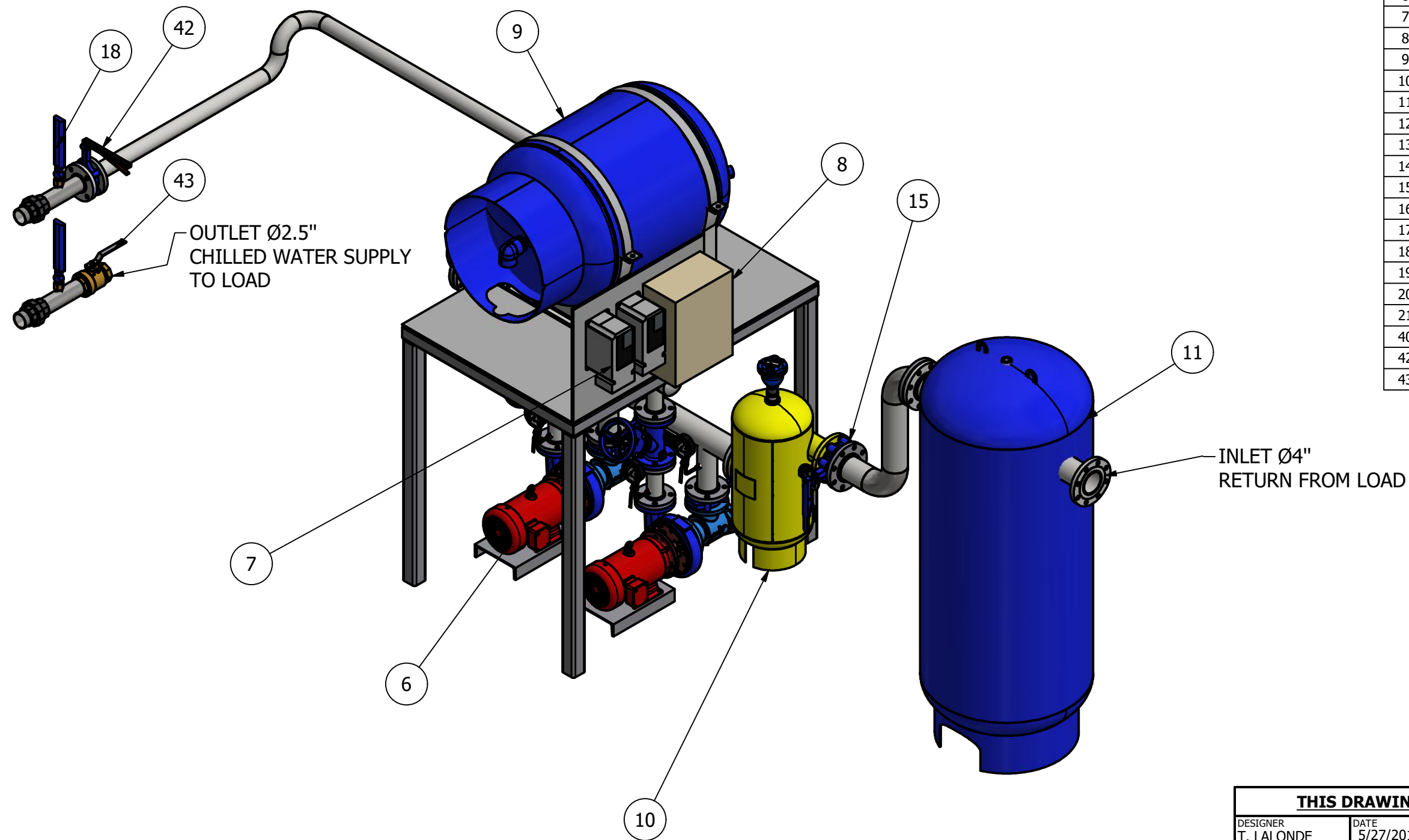


PARTS LIST		
ITEM	ITEM QTY	DESCRIPTION
1	1	SKID
2	1	SHELTER
3	1	AIR COOLED CHILLER
4	2	1000-C825A PUMP
5	2	BRACKET 8" IRON 143-215 JM F1
6	2	MOTOR 5HP 230V 184JM
7	2	VFD - IQP1000-2A0018FAANEMA1
8	1	SINGLE POINT POWER SUPPLY
9	1	BT-400V EXPANSION TANK
10	1	AIR SEPARATOR, SEP-4
11	1	BUFFER TANK 210 GAL.
12	2	SUCTION DIFFUSER 3" X 3"
13	2	MFV 2.5"
14	2	BUTTERFLY VALVE 3"
15	1	BUTTERFLY VALVE 4"
16	1	STAINLESS STEEL FLEXIBLE CONNECTOR 4"
17	1	AIR VENT - MV .75"
18	2	THERMOMETER
19	4	BALL VALVE 1/4"
20	4	PRESSURE GAUGE - 0-160 PSI - RFF0400LF1-425
21	1	PRESSURE TRANSMITTER
40	2	CONNECTION PIPE CHILLER
42	1	BUTTERFLY VALVE 2-1/2"
43	1	BALL VALVE 2-1/2"

**NOTE:**

- ALL PIPING IN STEEL SA106GRB SCH-40


THIS DRAWING MUST BE SENT WITH PURCHASE ORDER			
DESIGNER T. LALONDE	DATE 5/27/2016	TITLE / TITRE ENCLOSURE-PACK_COOLING-SYSTEM	
		PROJECT / PROJET Wing Kei	
		CUSTOMER / CLIENT EXEL SYSTEMS AB	
MONTREAL, (QC), CANADA TORONTO, (ON), CANADA LAKE WORTH, (FL), USA WWW.FLOFAB.COM		QUOTE 108952	TAG ENCLOSURE-PACK_COOLING PUMP SYSTEM
		DWG NO. 108952_ENCLOSURE-PACK_COOLING-SYSTEM	REV 2
		SCALE / ECHELLE .04	JOB NO. SHEET 4 OF 7

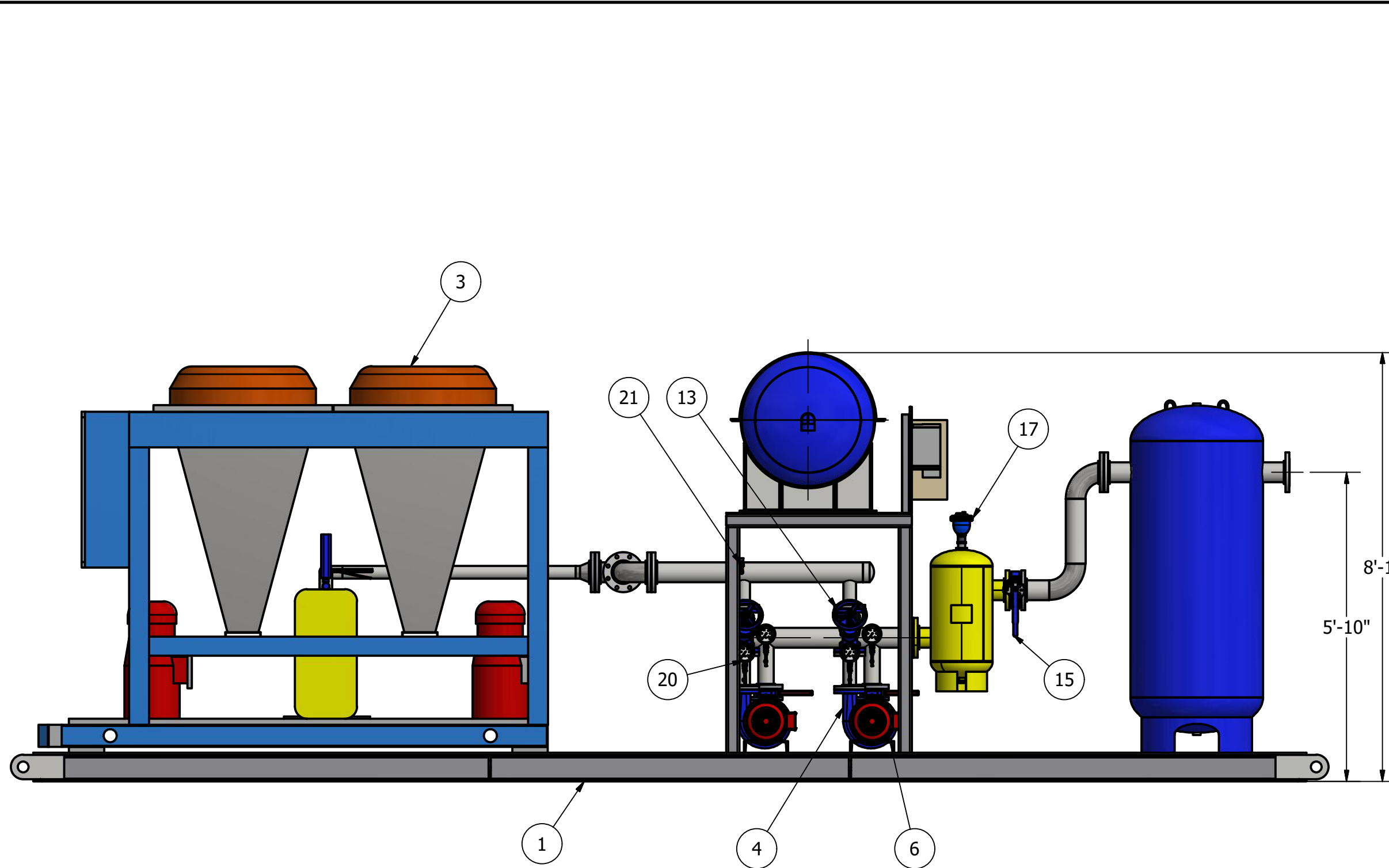


PARTS LIST		
ITEM	ITEM QTY	DESCRIPTION
1	1	SKID
2	1	SHELTER
3	1	AIR COOLED CHILLER
4	2	1000-C825A PUMP
5	2	BRACKET 8" IRON 143-215 JM F1
6	2	MOTOR 5HP 230V 184JM
7	2	VFD - IQP1000-2A0018FAANEMA1
8	1	SINGLE POINT POWER SUPPLY
9	1	BT-400V EXPANSION TANK
10	1	AIR SEPARATOR, SEP-4
11	1	BUFFER TANK 210 GAL.
12	2	SUCTION DIFFUSER 3" X 3"
13	2	MFV 2.5"
14	2	BUTTERFLY VALVE 3"
15	1	BUTTERFLY VALVE 4"
16	1	STAINLESS STEEL FLEXIBLE CONNECTOR 4"
17	1	AIR VENT - MV .75"
18	2	THERMOMETER
19	4	BALL VALVE 1/4"
20	4	PRESSURE GAUGE - 0-160 PSI - RFF0400LF1-425
21	1	PRESSURE TRANSMITTER
40	2	CONNECTION PIPE CHILLER
42	1	BUTTERFLY VALVE 2-1/2"
43	1	BALL VALVE 2-1/2"

**NOTE:**  
 - ALL PIPING IN STEEL SA106GRB SCH-40

**THIS DRAWING MUST BE SENT WITH PURCHASE ORDER**

DESIGNER T. LALONDE	DATE 5/27/2016	TITLE / TITRE ENCLOSURE-PACK_COOLING-SYSTEM
		PROJECT / PROJET Wing Kei
		CUSTOMER / CLIENT EXEL SYSTEMS AB
MONTREAL, (QC), CANADA TORONTO, (ON), CANADA LAKE WORTH, (FL), USA WWW.FLOFAB.COM		QUOTE 108952
		TAG ENCLOSURE-PACK_COOLING PUMP SYSTEM
		DWG NO. 108952_ENCLOSURE-PACK_COOLING-SYSTEM
		SCALE / ECHELLE 0.05
		JOB NO.
		REV 2
		SHEET 5 OF 7

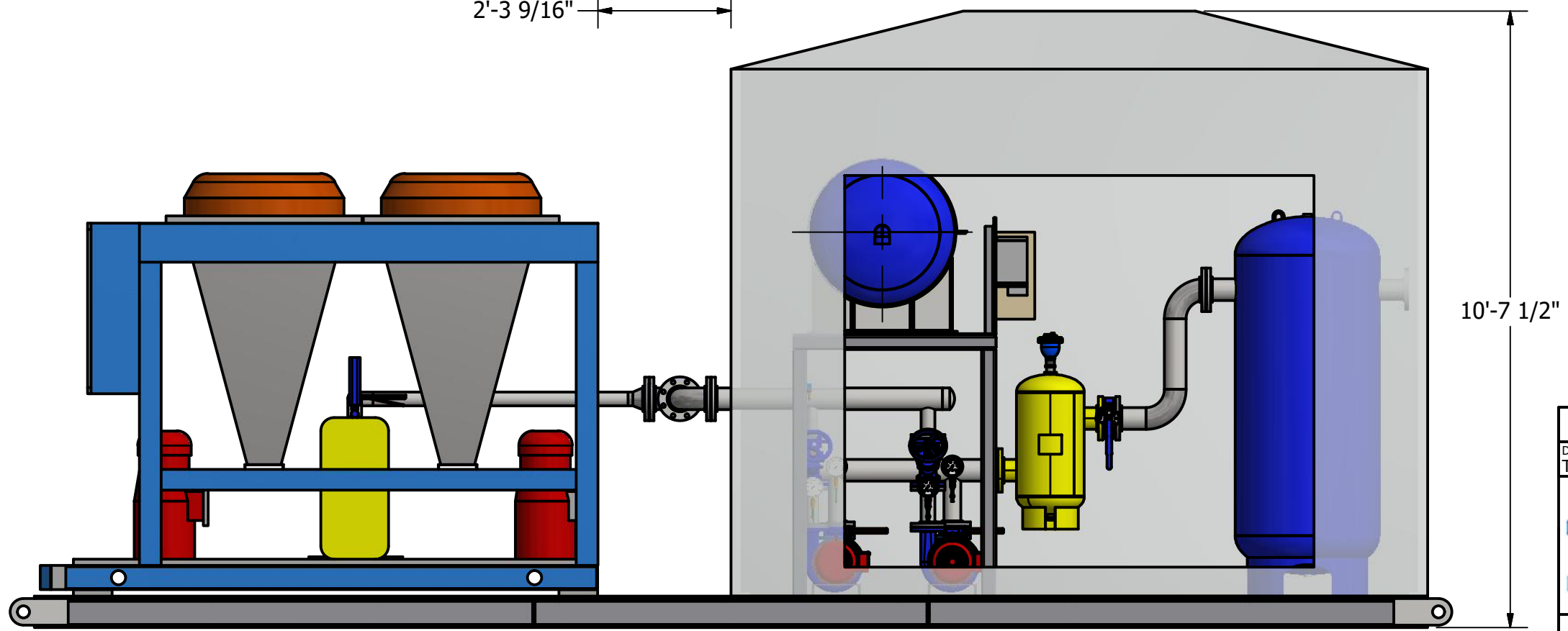
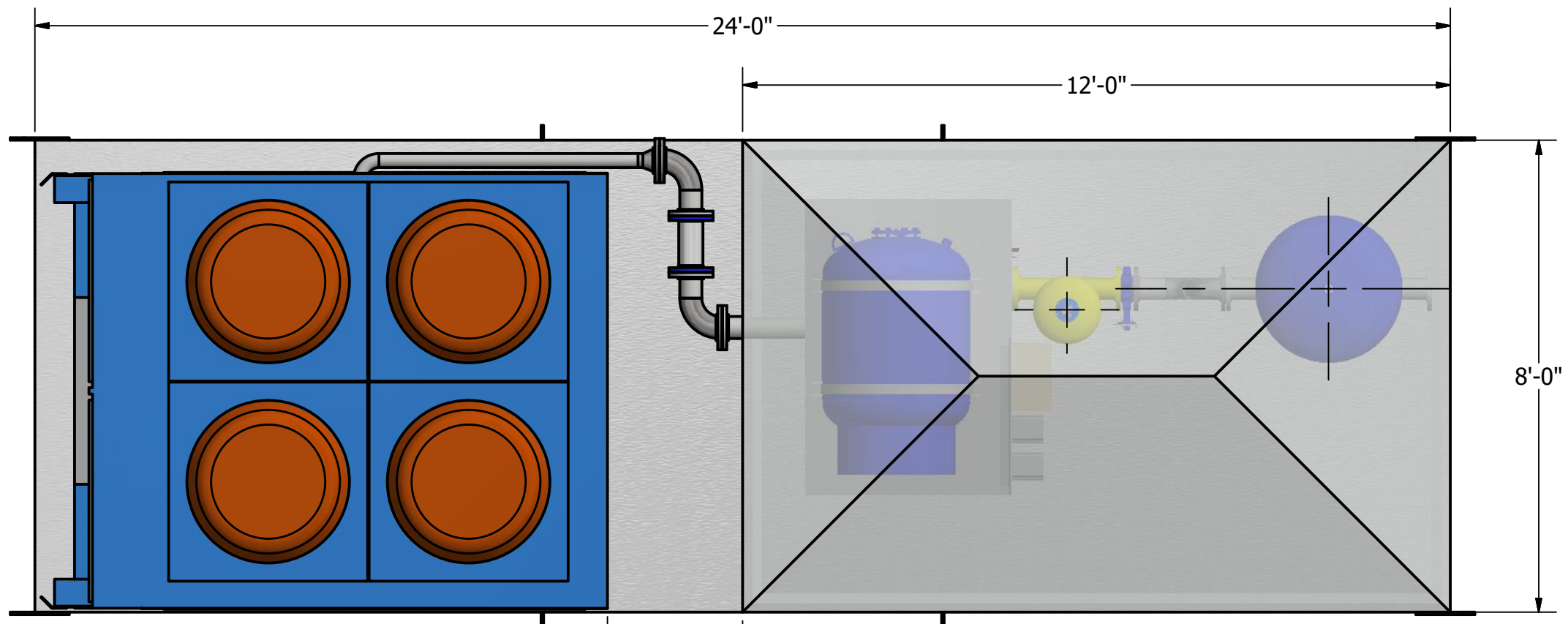


PARTS LIST		
ITEM	ITEM QTY	DESCRIPTION
1	1	SKID
2	1	SHELTER
3	1	AIR COOLED CHILLER
4	2	1000-C825A PUMP
5	2	BRACKET 8" IRON 143-215 JM F1
6	2	MOTOR 5HP 230V 184JM
7	2	VFD - IQP1000-2A0018FAANEMA1
8	1	SINGLE POINT POWER SUPPLY
9	1	BT-400V EXPANSION TANK
10	1	AIR SEPARATOR, SEP-4
11	1	BUFFER TANK 210 GAL.
12	2	SUCTION DIFFUSER 3" X 3"
13	2	MFV 2.5"
14	2	BUTTERFLY VALVE 3"
15	1	BUTTERFLY VALVE 4"
16	1	STAINLESS STEEL FLEXIBLE CONNECTOR 4"
17	1	AIR VENT - MV .75"
18	2	THERMOMETER
19	4	BALL VALVE 1/4"
20	4	PRESSURE GAUGE - 0-160 PSI - RFF0400LF1-425
21	1	PRESSURE TRANSMITTER
40	2	CONNECTION PIPE CHILLER
42	1	BUTTERFLY VALVE 2-1/2"
43	1	BALL VALVE 2-1/2"


**NOTE:**  
 - ALL PIPING IN STEEL SA106GRB SCH-40

**THIS DRAWING MUST BE SENT WITH PURCHASE ORDER**

DESIGNER T. LALONDE	DATE 5/27/2016	TITLE / TITRE ENCLOSURE-PACK_COOLING-SYSTEM
PROJECT / PROJET Wing Kei		CUSTOMER / CLIENT EXEL SYSTEMS AB
QUOTE 108952	TAG ENCLOSURE-PACK_COOLING PUMP SYSTEM	REV 2
MONTREAL, (QC), CANADA TORONTO, (ON), CANADA LAKE WORTH, (FL), USA WWW.FLOFAB.COM	SCALE / ECHELLE 1 / 25	JOB NO. SHEET 6 OF 7



**NOTE:**  
 - ALL PIPING IN STEEL SA106GRB SCH-40

<b>THIS DRAWING MUST BE SENT WITH PURCHASE ORDER</b>			
DESIGNER T. LALONDE	DATE 5/27/2016	TITLE / TITRE ENCLOSURE-PACK_COOLING-SYSTEM	
		PROJECT / PROJET Wing Kei	
		CUSTOMER / CLIENT EXEL SYSTEMS AB	
MONTREAL, (QC), CANADA TORONTO, (ON), CANADA LAKE WORTH, (FL), USA WWW.FLOFAB.COM		QUOTE 108952	TAG ENCLOSURE-PACK_COOLING PUMP SYSTEM
		DWG NO. 108952_ENCLOSURE-PACK_COOLING-SYSTEM	REV 2
		SCALE / ECHELLE .035	JOB NO. SHEET 7 OF 7