


PARTS LIST		
ITEM	QTY	DESCRIPTION
1	2	TAG: SCHWP-1,2 ()
2	1	HEAT EXCHANGE TAG: HX-1
3	1	ADSF-6-F TAG: DAS-2
4	1	NLA-300 TAG: ET-CHW
5	2	VFD - IQP1000-2A0069FAANEMA1
6	2	MULTIFUNCTION VALVE 4"
7	2	SUCTION DIFFUSER 6" TO 5"
8	1	PRV - PRESSURE REDUCING VALVE 1-1/2"
9	2	BUTTERFLY VALVE 3"
10	6	BUTTERFLY VALVE 6"
11	10	BALL VALVE 1/4"
12	3	BALL VALVE 1"
13	4	BALL VALVE 1-1/2"
14	1	Y-STRAINER 1-1/2" NPT
15	10	PRESSURE GAUGE - 0-60 PSI
16	1	PRESSURE TRANSMITTER
18	1	SKID PLATE
22	1	BF 3" ELECTRIC ACTUATED VALVE
46	4	LIFTING-LUG
53	1	HX SKID PLATE
54	1	FLEXIBLE 6" #150
55	1	FLEXIBLE 3" #150
58	2	SADDLE 24"-6"
145	4	THERMOMETER
157	1	PID-2 DISCHARGE HEADER
176	12	ANTI SEISMIC SYSTEM BRB-150-40
224	1	PRESSURE RELIEF VALVE
232	1	SPOOL

NOTE:

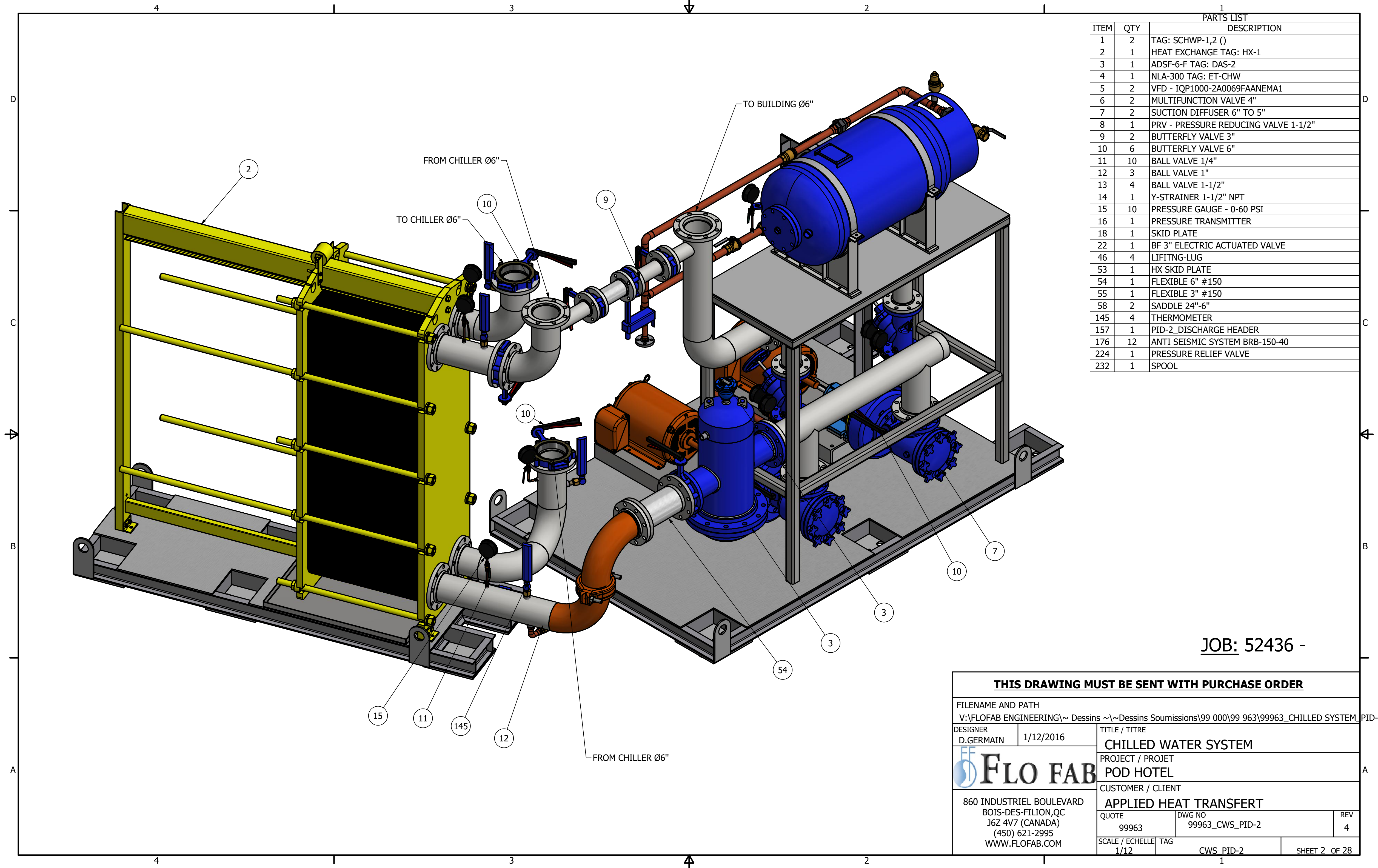
- ALL PIPING MATERIAL: STEEL SCHEDULE 40
- FIBERGLASS PIPES INSULATION 2"
- ESTIMATED DRY TOTAL WEIGHT TO BE DETERMINED
- ESTIMATED SHIPPING WEIGHT FOR HX-SKID : 4000 LBS
- ESTIMATED SHIPPING WEIGHT FOR CHILLED WATER SYSTEM PUMPS : 5000 LBS

DRAWING %	
FABRICATION	X
100	
90	
75	
50	
PRELIMINARY	

THIS DRAWING MUST BE SENT WITH PURCHASE ORDER


FILENAME AND PATH V:\FLOFAB ENGINEERING\~ Dessins ~\~ Dessins Soumissions\99 000\99 963\99963_CHILLED SYSTEM		
DESIGNER D.GERMAIN	1/12/2016	TITLE / TITRE CHILLED WATER PUMPS SYSTEM
		PROJECT / PROJET POD HOTEL
860 INDUSTRIEL BOULEVARD BOIS-DES-FILION, QC J6Z 4V7 (CANADA) (450) 621-2995 WWW.FLOFAB.COM		CUSTOMER / CLIENT APPLIED HEAT TRANSFERT
QUOTE 99963	DWG NO 99963_CWS_PID-2	REV 4
SCALE / ECHELLE 1:12	TAG CHILLER SYSTEM	SHEET 1 OF 28

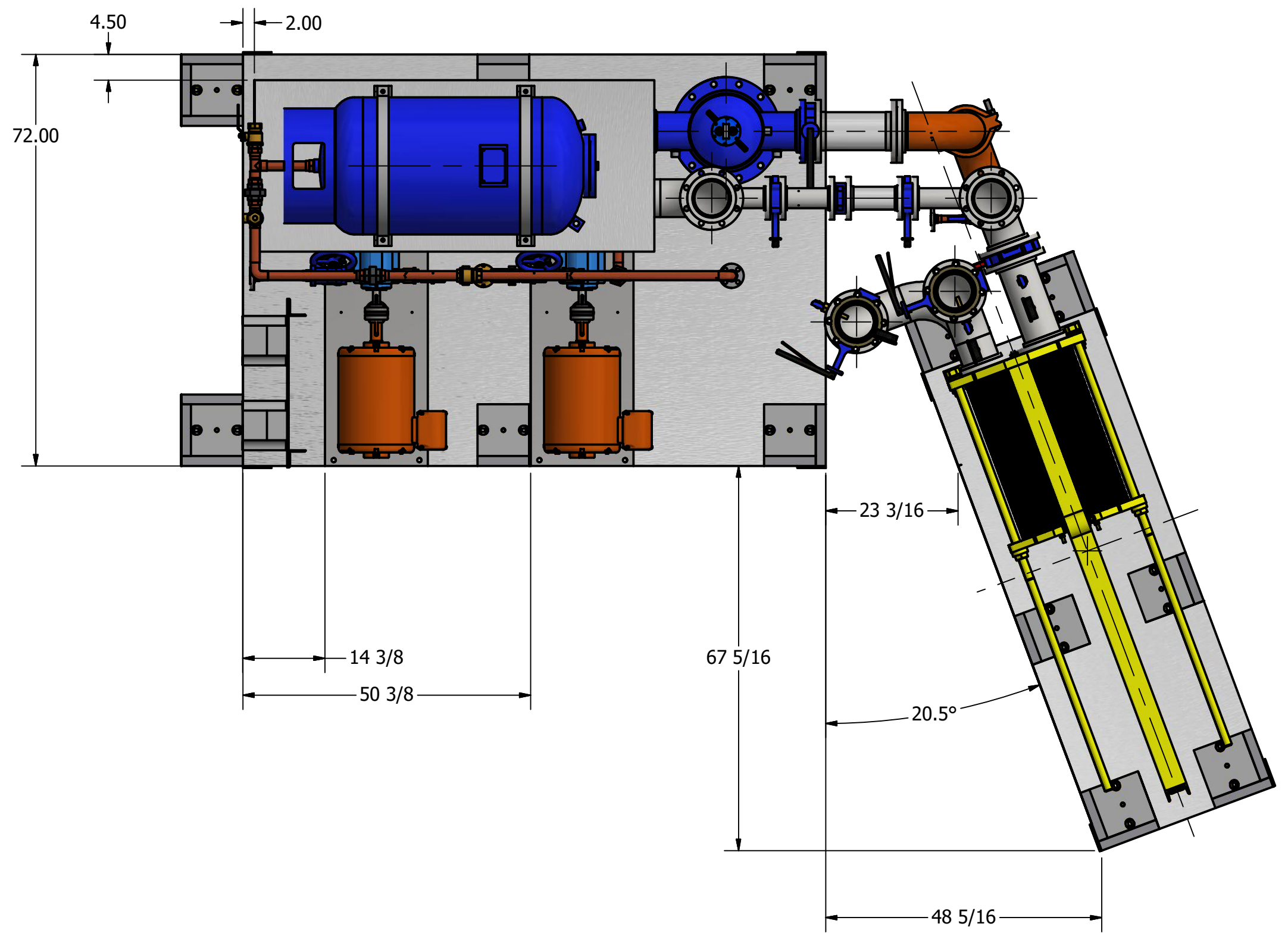
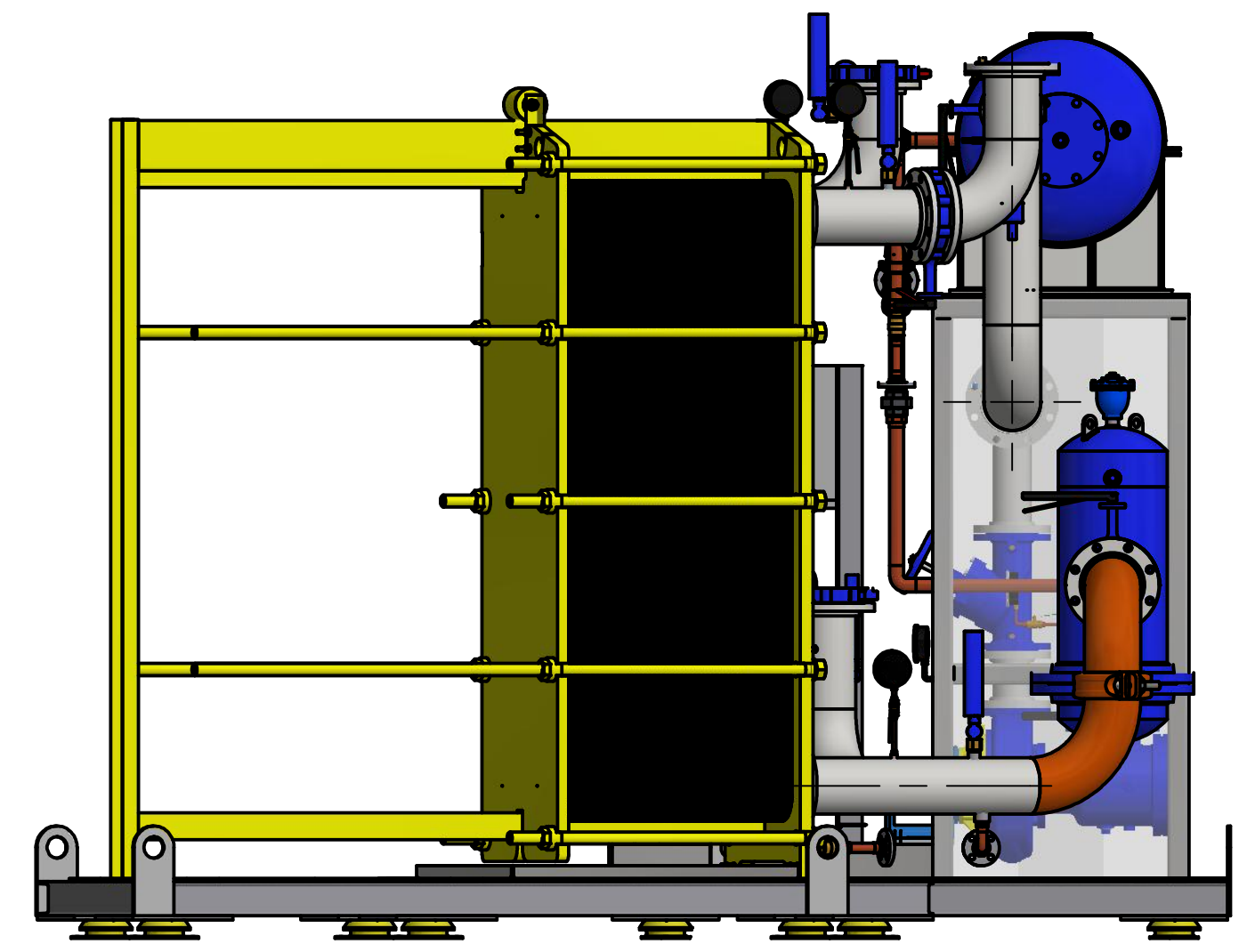
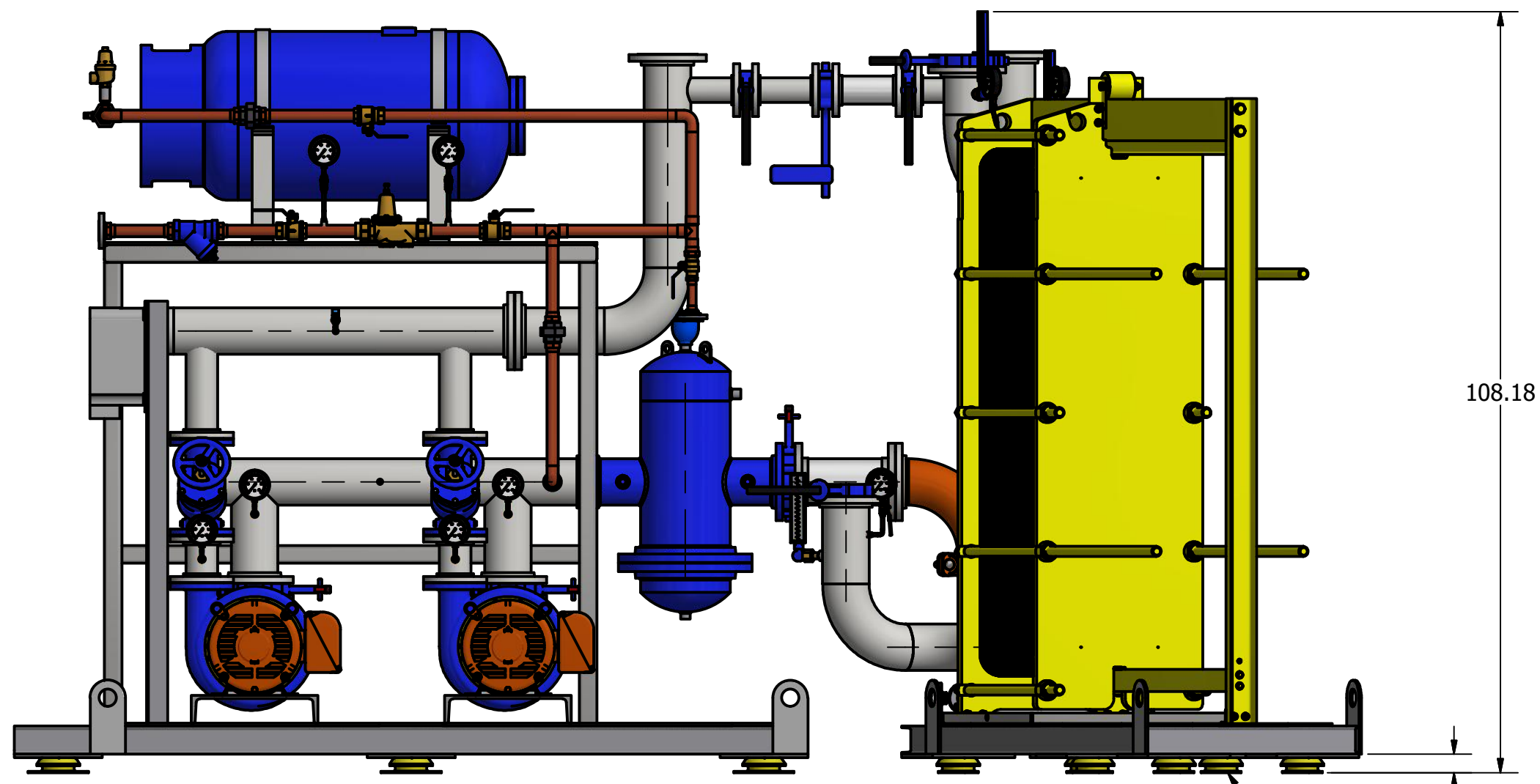
JOB: 52436 -



PARTS LIST		
ITEM	QTY	DESCRIPTION
1	2	TAG: SCHWP-1,2 ()
2	1	HEAT EXCHANGE TAG: HX-1
3	1	ADSF-6-F TAG: DAS-2
4	1	NLA-300 TAG: ET-CHW
5	2	VFD - IQP1000-2A0069FAANEMA1
6	2	MULTIFUNCTION VALVE 4"
7	2	SUCTION DIFFUSER 6" TO 5"
8	1	PRV - PRESSURE REDUCING VALVE 1-1/2"
9	2	BUTTERFLY VALVE 3"
10	6	BUTTERFLY VALVE 6"
11	10	BALL VALVE 1/4"
12	3	BALL VALVE 1"
13	4	BALL VALVE 1-1/2"
14	1	Y-STRAINER 1-1/2" NPT
15	10	PRESSURE GAUGE - 0-60 PSI
16	1	PRESSURE TRANSMITTER
18	1	SKID PLATE
22	1	BF 3" ELECTRIC ACTUATED VALVE
46	4	LIFTING-LUG
53	1	HX SKID PLATE
54	1	FLEXIBLE 6" #150
55	1	FLEXIBLE 3" #150
58	2	SADDLE 24"-6"
145	4	THERMOMETER
157	1	PID-2 DISCHARGE HEADER
176	12	ANTI SEISMIC SYSTEM BRB-150-40
224	1	PRESSURE RELIEF VALVE
232	1	SPOOL

JOB: 52436 -

THIS DRAWING MUST BE SENT WITH PURCHASE ORDER		
FILENAME AND PATH V:\FLOFAB ENGINEERING\~ Dessins ~\~Dessins Soumissions\99 000\99 963\99963_CHILLED SYSTEM		
DESIGNER D.GERMAIN	1/12/2016	TITLE / TITRE CHILLED WATER SYSTEM
		PROJECT / PROJET POD HOTEL
		CUSTOMER / CLIENT APPLIED HEAT TRANSFERT
860 INDUSTRIEL BOULEVARD BOIS-DES-FILION, QC J6Z 4V7 (CANADA) (450) 621-2995 WWW.FLOFAB.COM		QUOTE 99963
SCALE / ECHELLE 1/12		DWG NO 99963_CWS_PID-2
TAG CWS_PID-2		REV 4
SHEET 2 OF 28		



NOTE:

- ALL PIPING MATERIAL: STEEL SCHEDULE 40
- FIBERGLASS PIPES INSULATION 2"
- ESTIMATED SHIPPING WEIGHT FOR HX-SKID : 4000 LBS
- ESTIMATED SHIPPING WEIGHT FOR CHILLED WATER SYSTEM PUMPS : 5000 LBS

THIS DRAWING MUST BE SENT WITH PURCHASE ORDER			
FILENAME AND PATH V:\FLOFAB ENGINEERING\~ Dessins ~\~Dessins Soumissions\99 000\99 963\99963_CHILLED SYSTEM			
DESIGNER D.GERMAIN	1/12/2016	TITLE / TITRE CHILLED WATER SYSTEM	
PROJECT / PROJET POD HOTEL		CUSTOMER / CLIENT APPLIED HEAT TRANSFERT	
860 INDUSTRIEL BOULEVARD BOIS-DES-FILION, QC J6Z 4V7 (CANADA) (450) 621-2995 WWW.FLOFAB.COM		QUOTE 99963	DWG NO 99963_CWS_PID-2
SCALE / ECHELLE 1/12	TAG CWS-PID2	REV 4	SHEET 3 OF 28

JOB: 52436 -