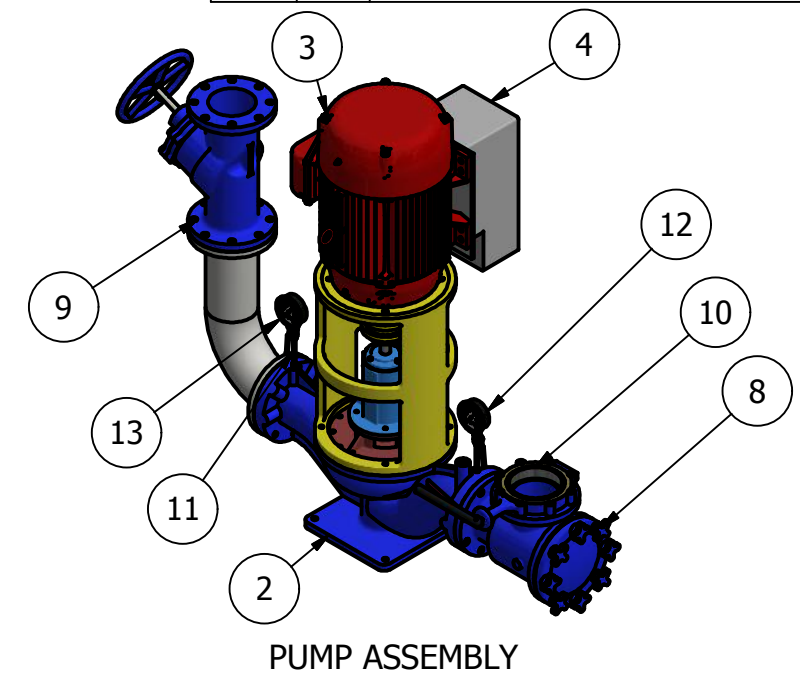
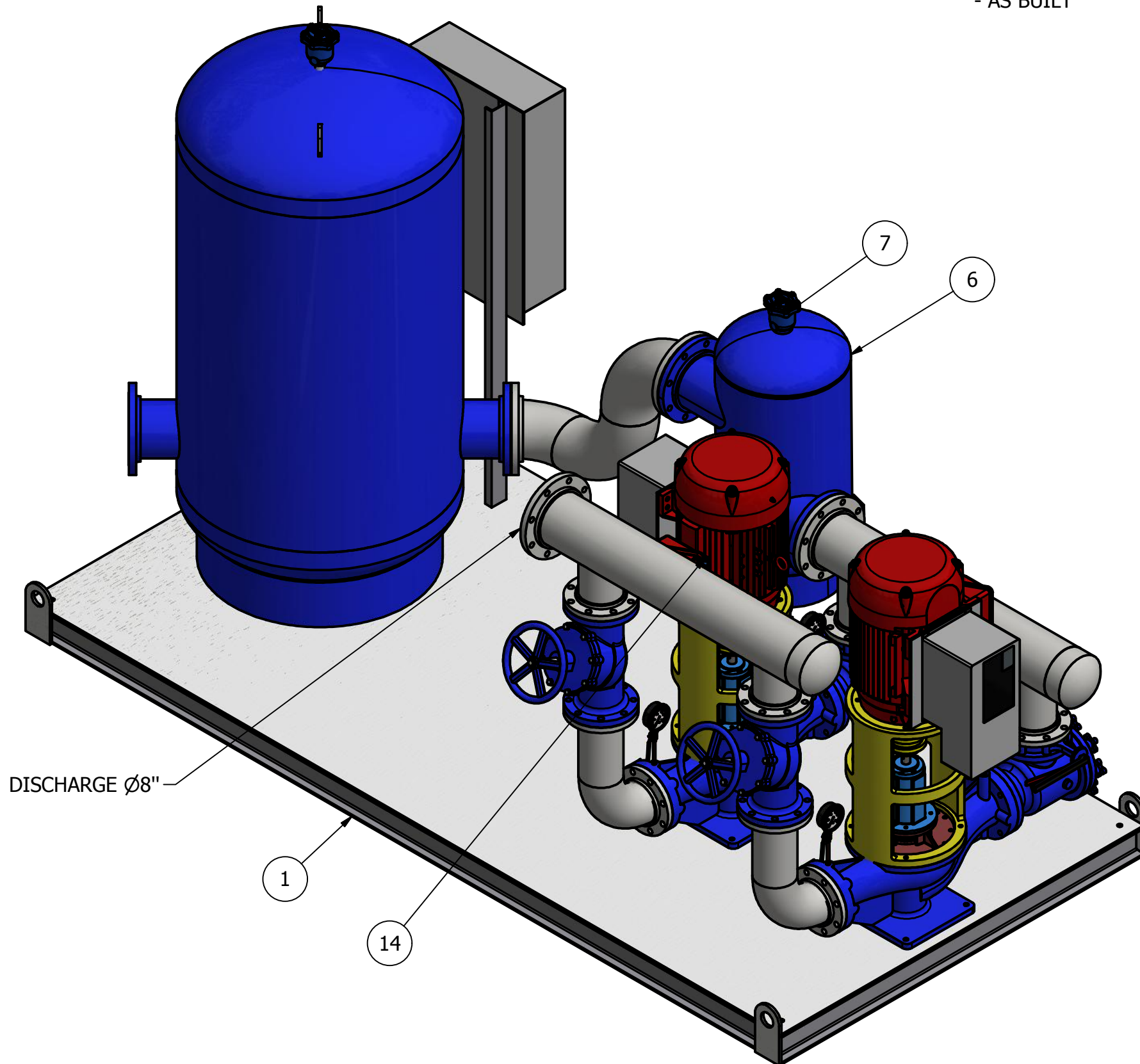


**NOTE:**

- ALL PIPING MATERIAL STEEL SA106GRB STD SCHEDULE 40
- ESTIMATED SHIPPING WEIGHT: 8000 LBS
- TANK AND PIPE INSULATED
- AS BUILT

PARTS LIST		
ITEM	QTY	DESCRIPTION
1	1	SKID
2	2	P1A-P1B (880RI-6X6-12)
3	2	MOTOR 40HP,1750RPM,3PH,60HZ,324TC,TEFC
4	2	VFD - IQP1000-2A0110FAANEMA1
6	1	SEP-8F
7	2	AIR VENT - 3-4" NPT
8	2	SUCTION DIFFUSER 6" X 6"
9	2	MULTI-FUNCTION VALVE 6"
10	2	BUTTERFLY VALVE 6"
11	4	BALL VALVE 1/4"
12	2	PRESSURE GAUGE - 0-60 PSI
13	2	PRESSURE GAUGE - 0-200 PSI
14	1	PRESSURE TRANSMITTER
38	1	BUFFER TANK 500GAL
40	1	SINGLE POINT POWER SUPPLY



PUMP ASSEMBLY

DRAWING %	
FABRICATION	X
100%	
90%	
75%	
50%	
PRELIMINARY	

DISCHARGE Ø8"

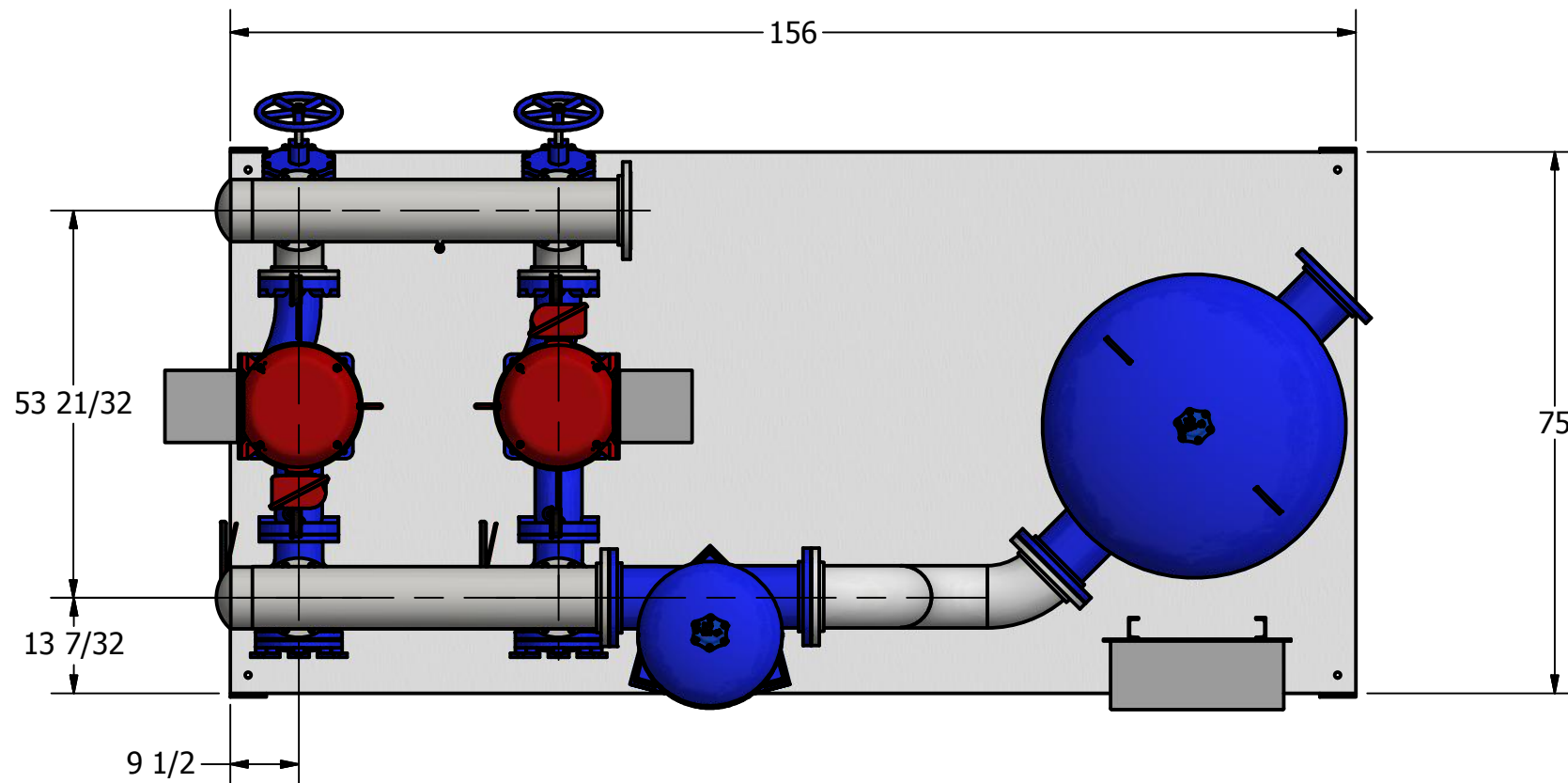
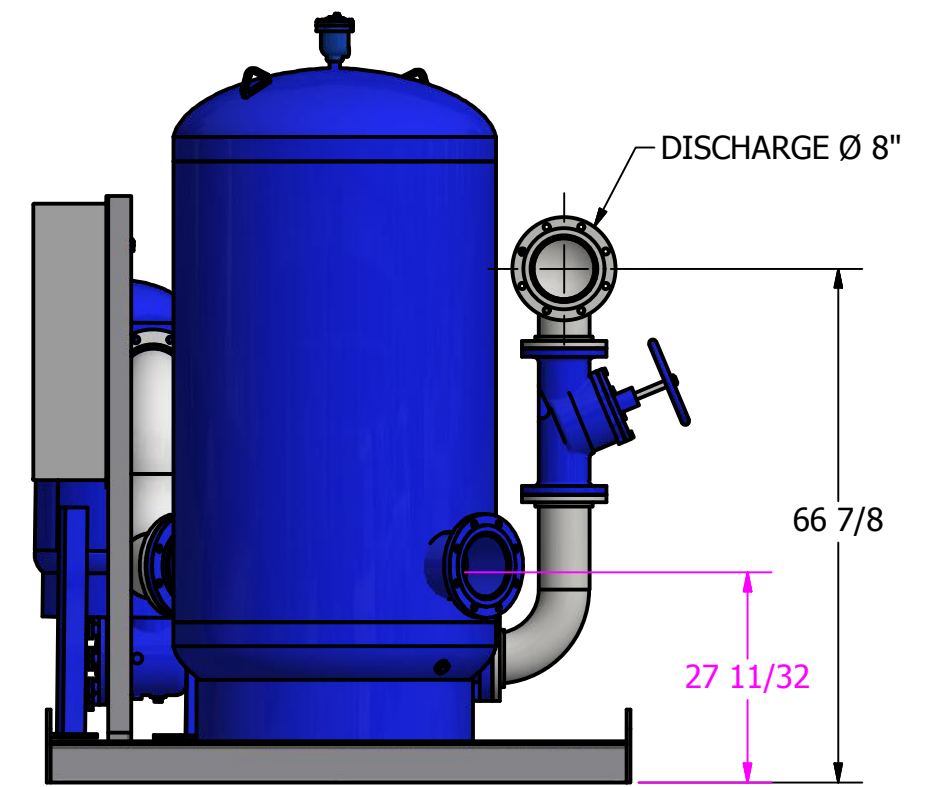
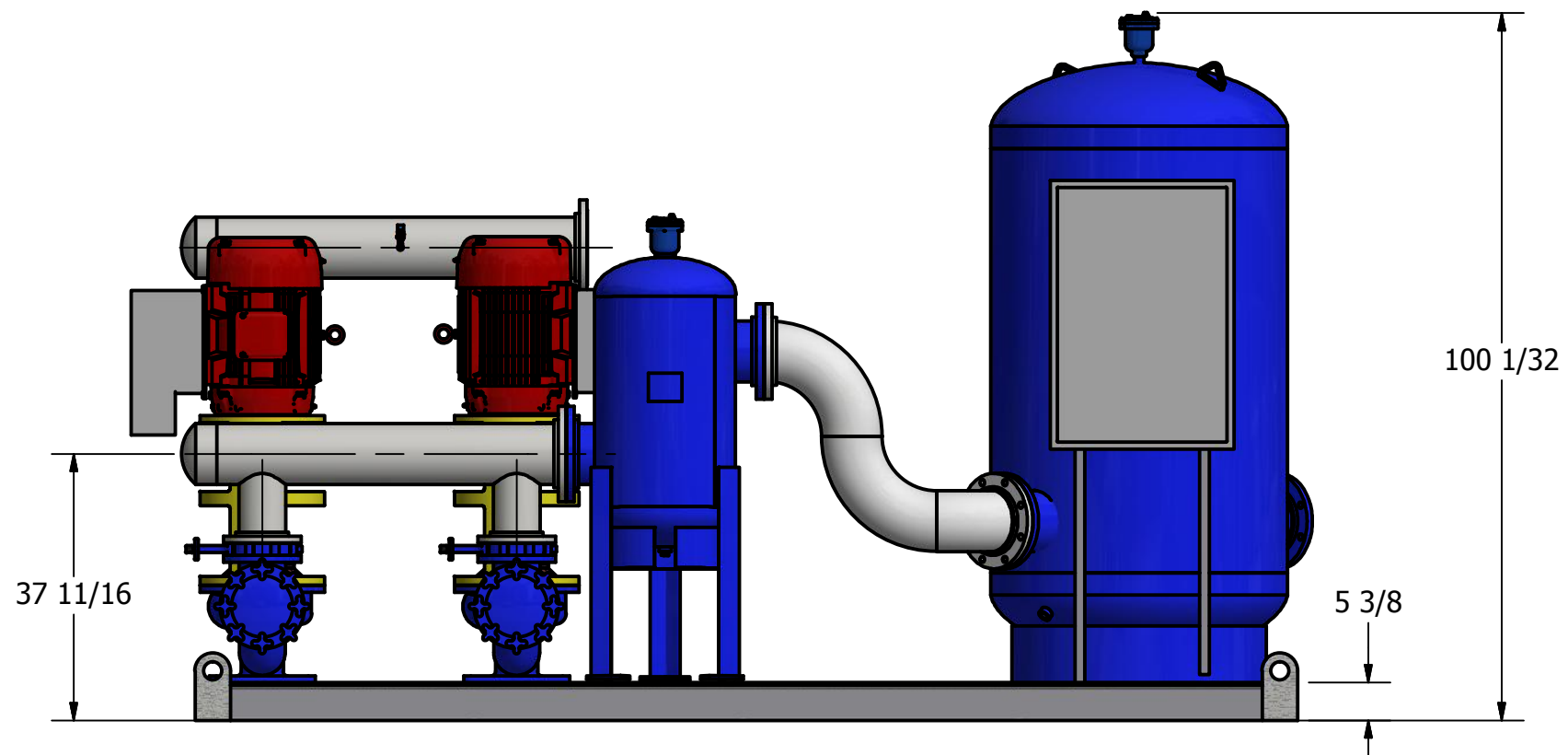
REVISION HISTORY		
REV	DESCRIPTION	DATE
1	PRELIMINARY DRAWINGS (B.F)	01/28/2016
2	CHANGE TANK CONNECTION & PIPING (B.F)	02/03/2016


**THIS DRAWING MUST BE SENT WITH PURCHASE ORDER**

DESIGNER D.GERMAIN	DATE 02/24/2016	TITLE / TITRE DUPLIX HEAT/COOL 800RI PUMP SYSTEM
PROJECT / PROJET		
CUSTOMER / CLIENT		
QUOTE	TAG	
DWG NO.	REV 2	
SCALE / ECHELLE 1:18	JOB NO.	SHEET 1 OF 9

MONTREAL, (QC), CANADA  
TORONTO, (ON), CANADA  
LAKE WORTH, (FL), USA  
WWW.FLOFAB.COM





THIS DRAWING MUST BE SENT WITH PURCHASE ORDER			
DESIGNER D.GERMAIN	DATE 02/24/2016	TITLE / TITRE DUPLEX HEAT/COOL 800RI PUMP SYSTEM	
		PROJECT / PROJET	
		CUSTOMER / CLIENT	
QUOTE	TAG		
MONTREAL, (QC), CANADA TORONTO, (ON), CANADA LAKE WORTH, (FL), USA WWW.FLOFAB.COM		DWG NO.	REV 2
SCALE / ECHELLE 1:25	JOB NO.	SHEET 2 OF 9	