

PARTS LIST		
ITEM	QTY	DESCRIPTION
1	1	SKID
2	4	P1 P2 P3 P4 PUMP 800-4X4-12
3	4	MOTOR 25HP-1750RPM-480V-3PH-60HZ 284TC
4	4	SUCTION DIFFUSER 5" X 4"
5	4	MULTI-FUNCTION VALVE 5" #150
6	4	BUTTERFLY VALVE 5"
7	4	PRESSURE GAUGE - 0-60 PSI
8	4	PRESSURE GAUGE - 0-200 PSI
9	1	THERMOMETER

SUCTION Ø8"

NOTE:
 - ALL PIPING IN STEEL SA106GRB
 STANDARD SCHEDULE 40
 - REQUIRE HIGH TEMPERATURE SEAL
 - PROCESS TEMPERATURE 275°F

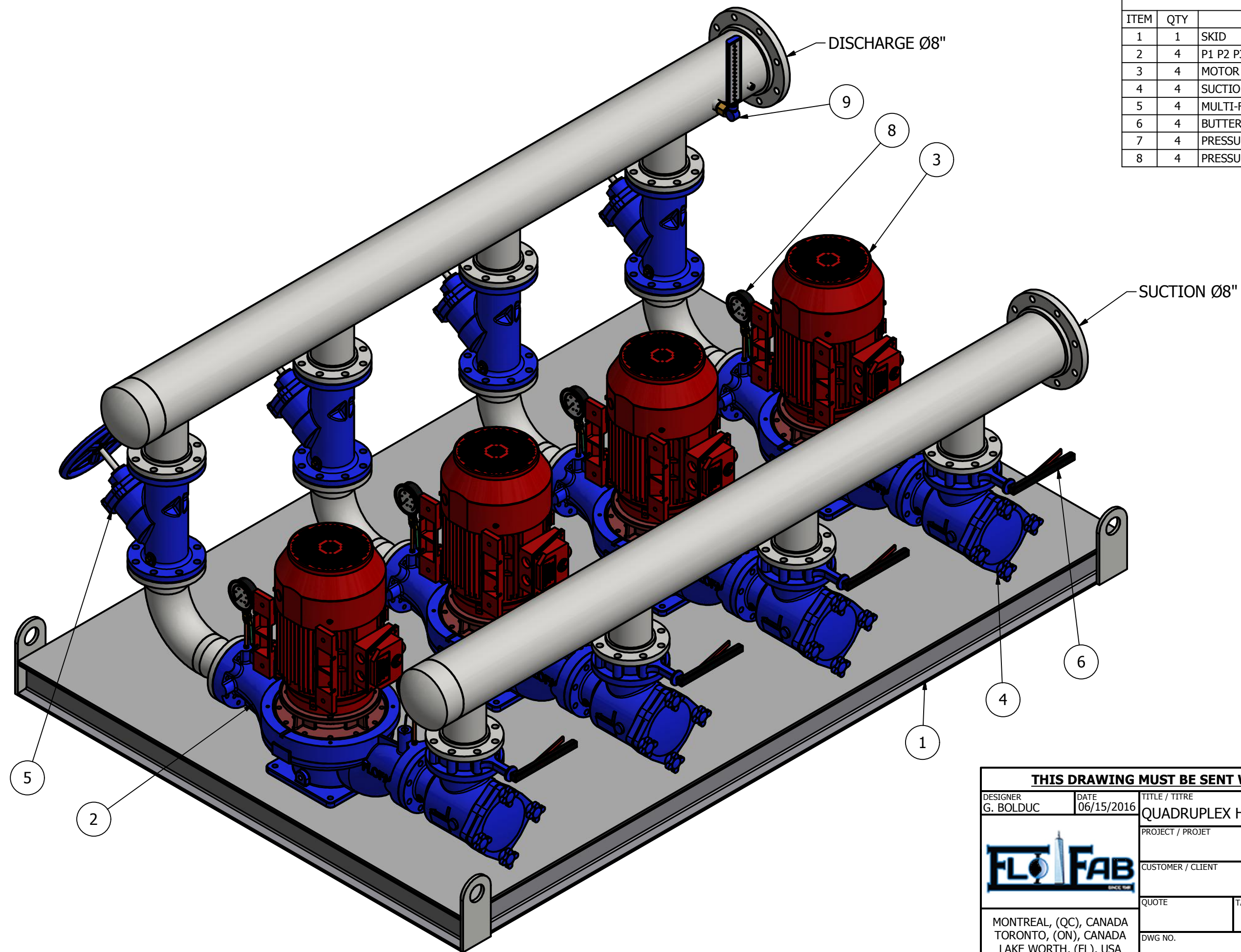
DRAWING %	
FABRICATION	
100%	
90%	X
75%	
50%	
PRELIMINARY	

REVISION HISTORY		
REV	DESCRIPTION	DATE
1	PRELIMINARY DRAWINGS (G.B.)	06/15/2016
THIS DRAWING MUST BE SENT WITH PURCHASE ORDER		
DESIGNER G. BOLDUC	DATE 06/15/2016	TITLE / TITRE QUADRUPLEX HEAT/COOL 880 PUMP SYSTEM
PROJECT / PROJET		
CUSTOMER / CLIENT		
QUOTE	TAG	
DWG NO.		REV 1
SCALE / ECHELLE 1/12	JOB NO.	SHEET 1 OF 3

DISCHARGE Ø8"




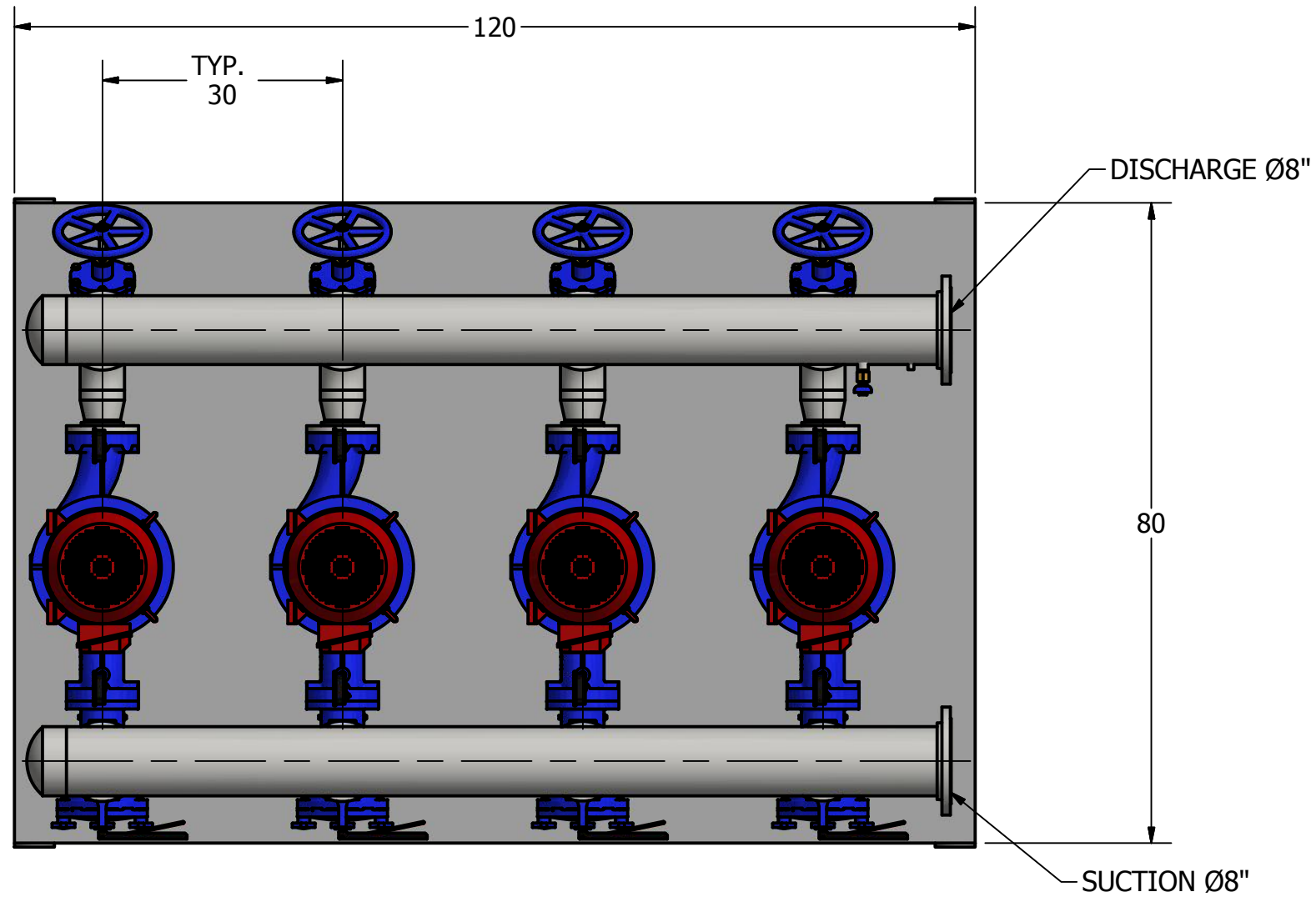
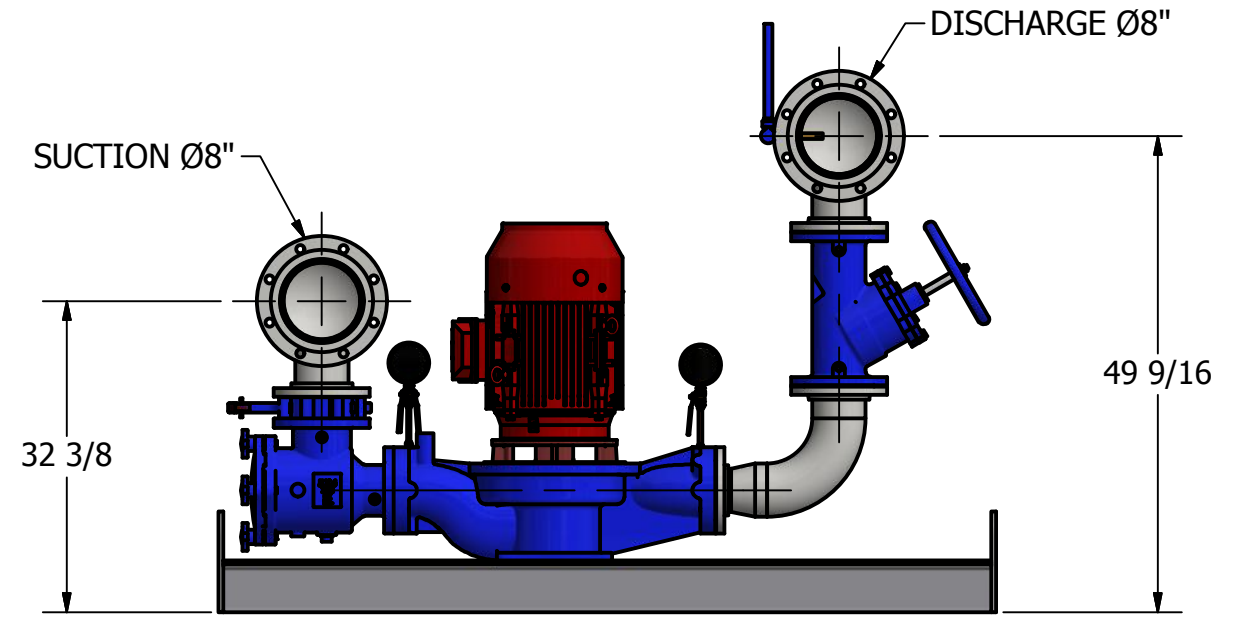
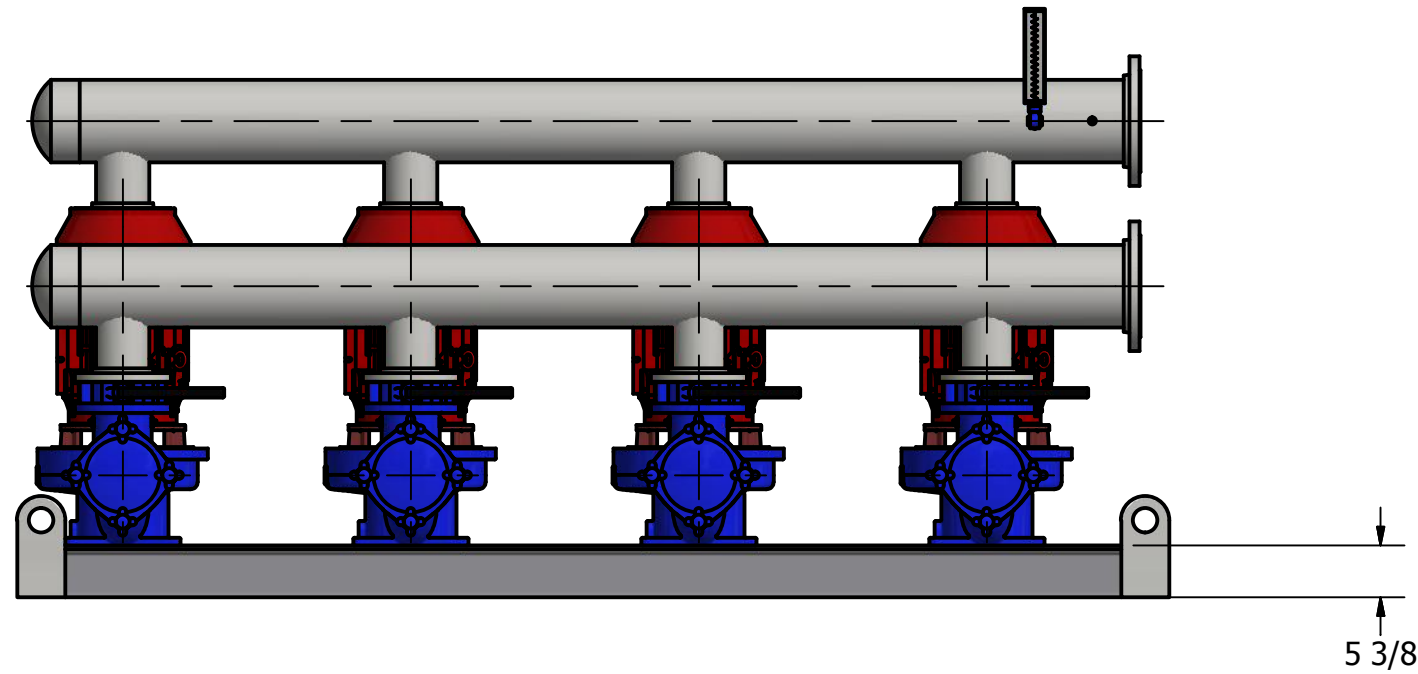
MONTREAL, (QC), CANADA
 TORONTO, (ON), CANADA
 LAKE WORTH, (FL), USA
 WWW.FLOFAB.COM




PARTS LIST		
ITEM	QTY	DESCRIPTION
1	1	SKID
2	4	P1 P2 P3 P4 PUMP 800-4X4-12
3	4	MOTOR 25HP-1750RPM-480V-3PH-60HZ 284TC
4	4	SUCTION DIFFUSER 5" X 4"
5	4	MULTI-FUNCTION VALVE 5" #150
6	4	BUTTERFLY VALVE 5"
7	4	PRESSURE GAUGE - 0-60 PSI
8	4	PRESSURE GAUGE - 0-200 PSI

THIS DRAWING MUST BE SENT WITH PURCHASE ORDER

DESIGNER G. BOLDUC	DATE 06/15/2016	TITLE / TITRE QUADRUPLEX HEAT/COOL 880 PUMP SYSTEM
		PROJECT / PROJET
		CUSTOMER / CLIENT
MONTREAL, (QC), CANADA TORONTO, (ON), CANADA LAKE WORTH, (FL), USA WWW.FLOFAB.COM		QUOTE TAG
DWG NO.		REV 1
SCALE / ECHELLE 1/12	JOB NO.	SHEET 2 OF 3



THIS DRAWING MUST BE SENT WITH PURCHASE ORDER			
DESIGNER G. BOLDUC	DATE 06/15/2016	TITLE / TITRE QUADRUPLEX HEAT/COOL 880 PUMP SYSTEM	
		PROJECT / PROJET	
		CUSTOMER / CLIENT	
MONTREAL, (QC), CANADA TORONTO, (ON), CANADA LAKE WORTH, (FL), USA WWW.FLOFAB.COM		QUOTE	TAG
SCALE / ECHELLE 1/20		DWG NO.	REV 1
JOB NO.		SHEET 3 OF 3	