



# PACKAGE CATALOG

Manufacturer of Pumps, Tanks, Heat Exchangers & Accessories

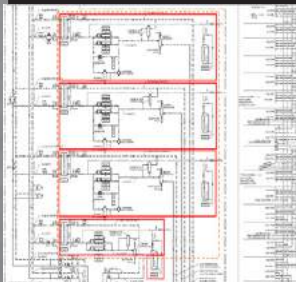
DOMESTIC PUMP SYSTEM

HYDRONIC COOLING PUMP SYSTEM

HYDRONIC HEATING PUMP SYSTEM

How to price a package?

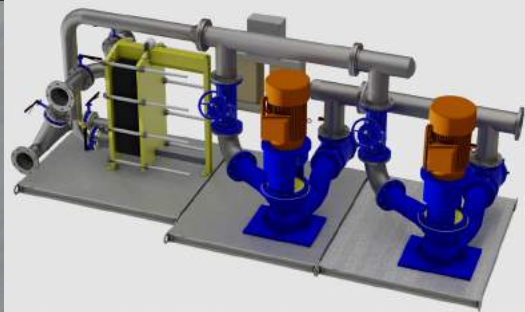
Mechanical Room PID:



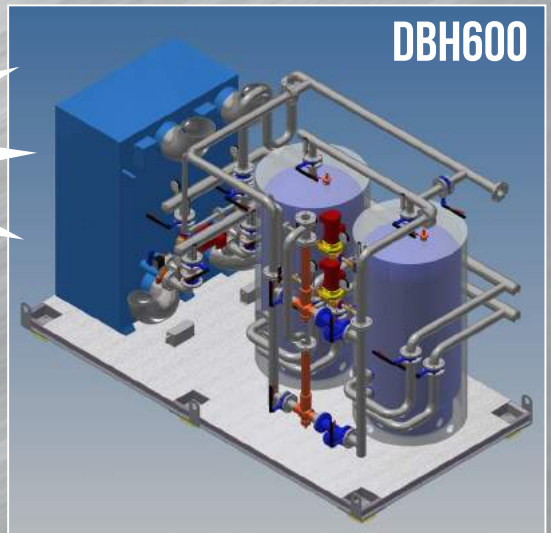
Production:



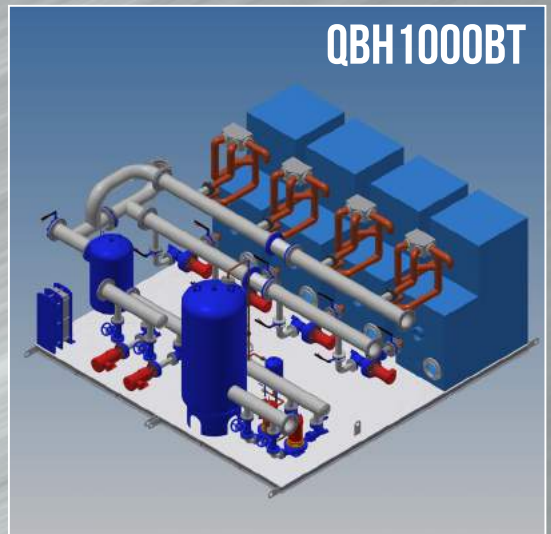
PreFabs Skids Package:



DBH600



QBH1000BT



# How to Price a Package ?

## What we need ?

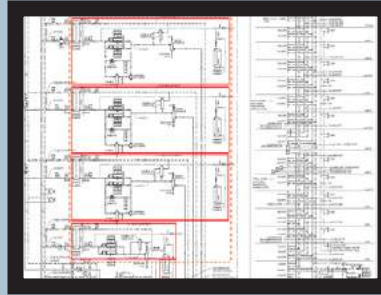
- 1.1 System PID
- 1.2 Pumps, Tanks and Heat Exchangers Schedule
- 1.3 Cut sheets for non Flo Fab parts like  
ex. Boilers, Chillers, etc...
- 1.4 Skids footprint
- 1.5 Mechanical room footprint

## Quality Control

All pumps are factory tested and certified performance test is available when requested by the consultant. Test facilities up to 400 HP with 27,000 gallon test bench with calibrated instruments ...



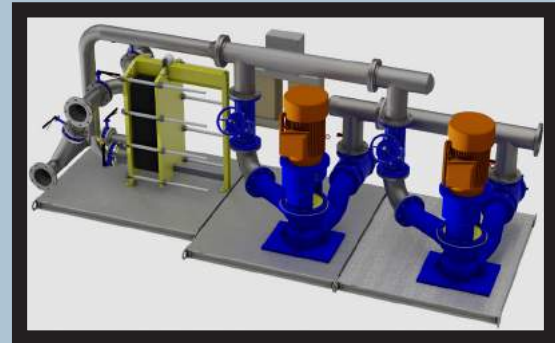
PID:



Production:



Package:



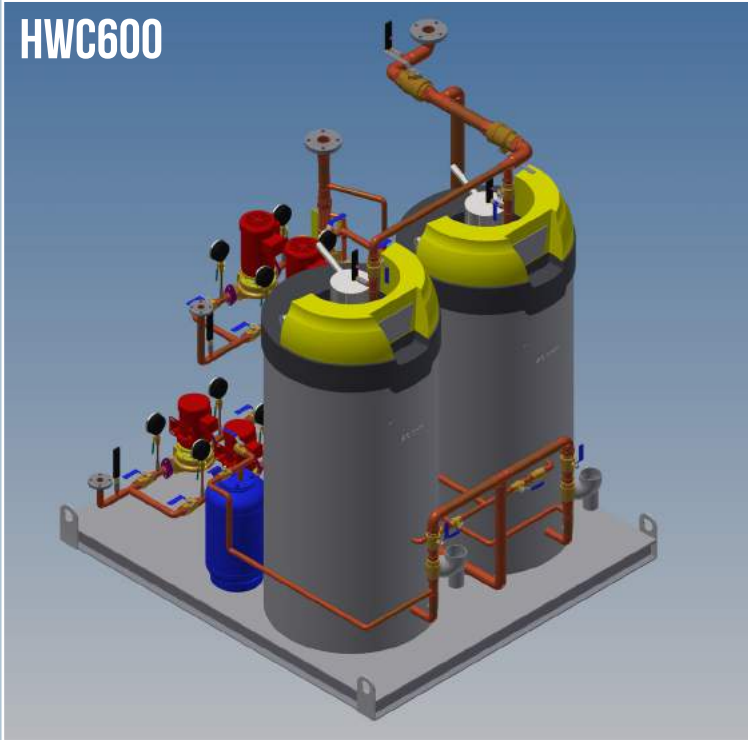
### 2.1 Heating and Cooling Systems

2.2 Module HC will be composed of two pumps, control panel VFD, expansion tank, air separator, chemical pot Feeder, and glycol fill system (optional), balancing valves, isolation valves, air vents and drain connections, multifunction valves, suction diffusers or Y strainers, interconnecting black steel schedule 40 piping. All package components are mounted on a structural steel base with lifting lugs...

### SPECS example :

Product	Product Type	Section(s)	Date Submitted	Status	
XRI	Separately Coupled, Horizontally Mounted, In-Line Centrifugal Pumps	232123-HYDRONIC PUMPS	1/5/2016	Submitted	<a href="#">View Details</a>
880RI	Separately Coupled, Vertically Mounted, In-Line Centrifugal Pumps	232123-HYDRONIC PUMPS	1/5/2016	Submitted	<a href="#">View Details</a>
2000	Separately Coupled, Base-Mounted, End-Suction Centrifugal Pumps	232123-HYDRONIC PUMPS	1/5/2016	Submitted	<a href="#">View Details</a>

HWC600



## DOMESTIC HOT WATER TECHNICAL DATA

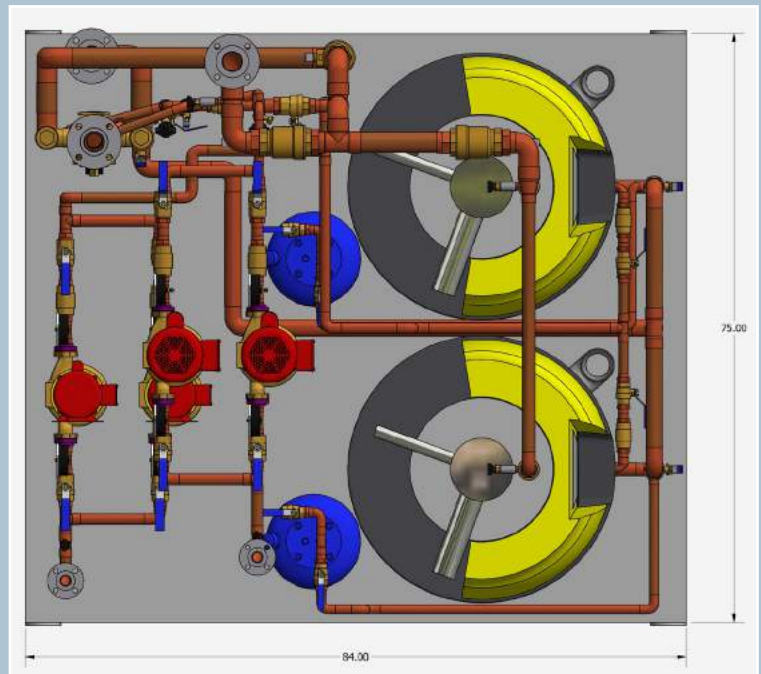
Two Water Gas Heaters

Capacity  
119 GAL.

Input  
500 KBTU/hr  
each

Quadruplex Pumps  
Model 600

Mixing Valves

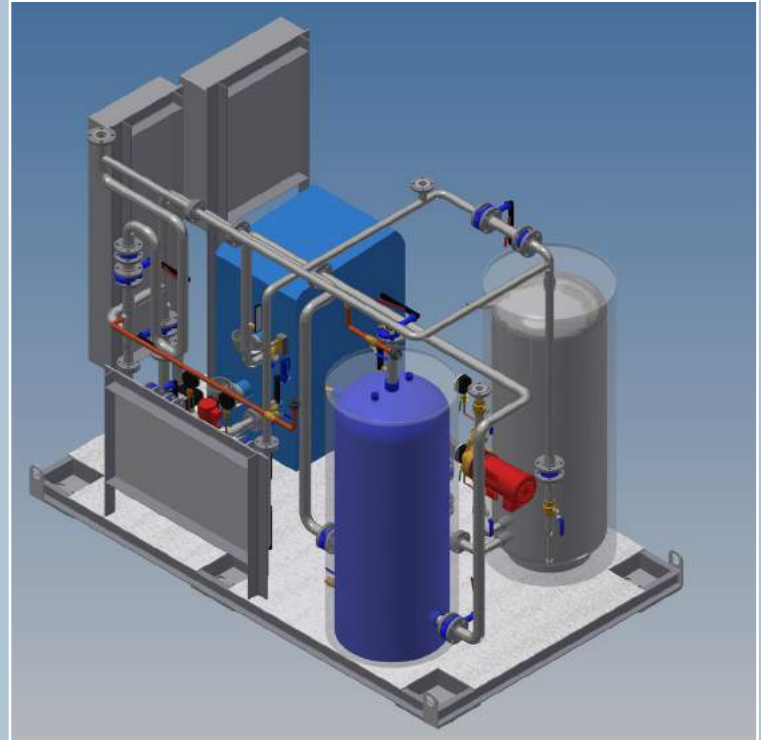
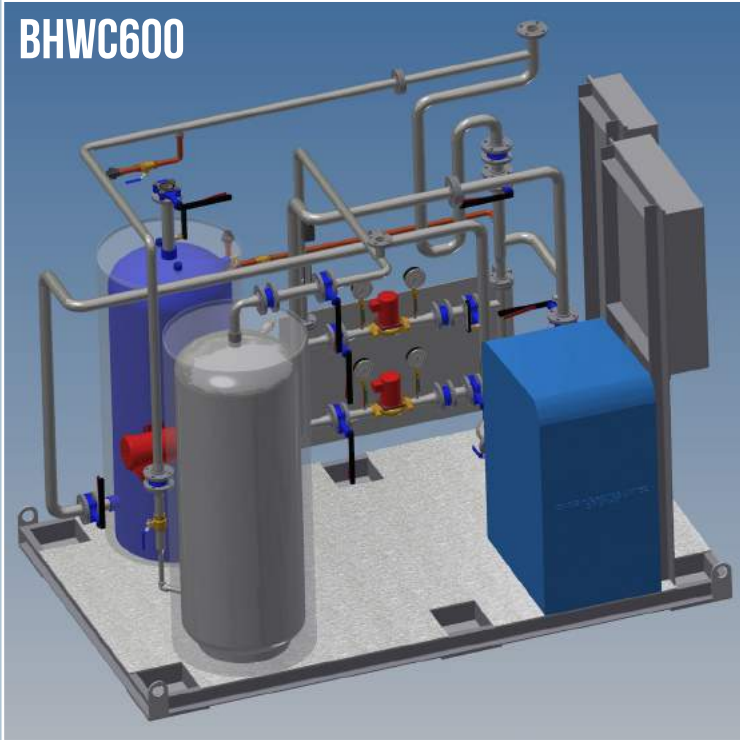


BUILT WITH :



AUTODESK  
REVIT

## BHWC600



## DOMESTIC HOT WATER FOR KITCHEN HOTEL

### TECHNICAL DATA

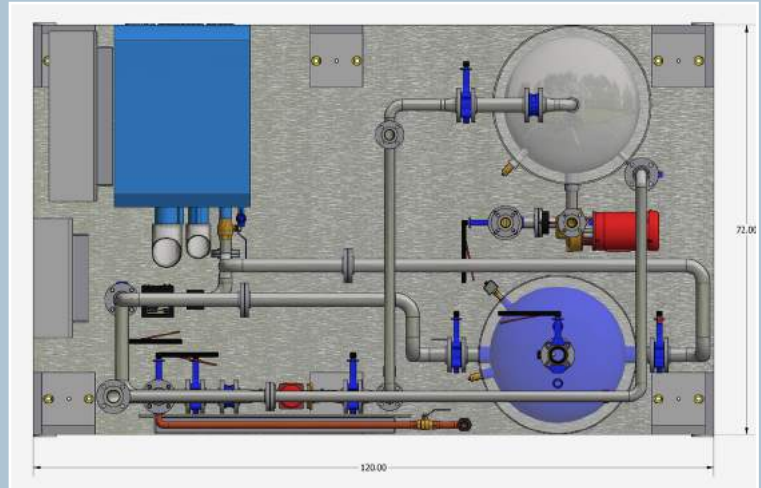
Heating Boiler

Output  
470 MBTU/hr

Storage Tank  
Capacity  
120 GAL.

Circulating Pumps  
Model 600

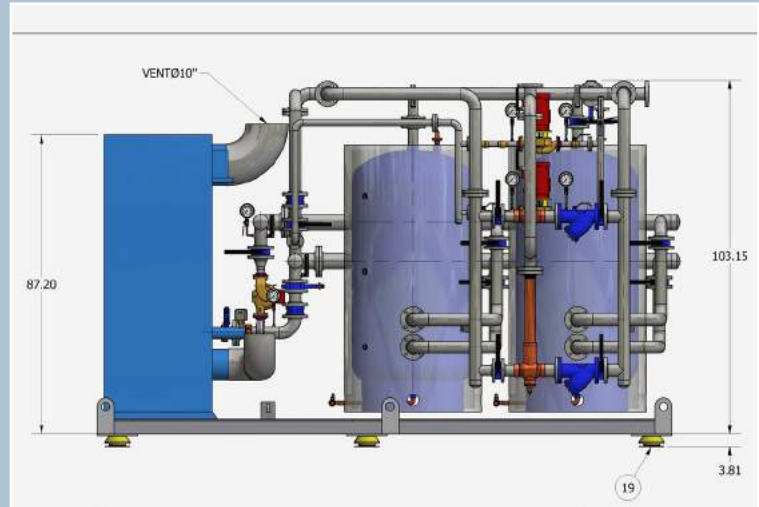
Heating Tank  
for return water  
Capacity  
120 GAL



BUILT WITH :



AUTODESK  
REVIT



## DOMESTIC HOT WATER SUPPLY TECHNICAL DATA

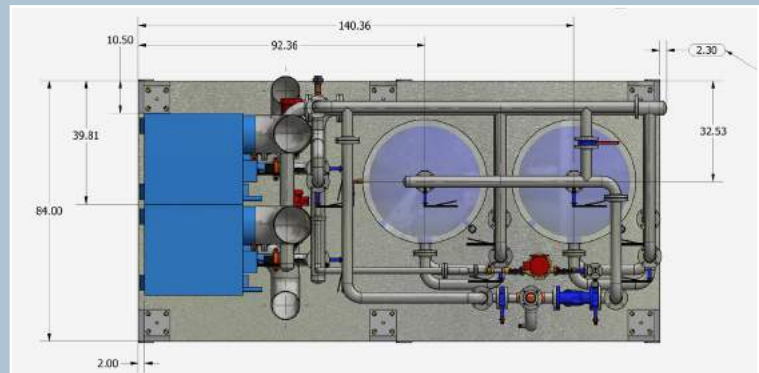
Two Storage Tanks

Capacity  
300 GAL.  
each

Two Gas Fired Boilers  
2500 MBTU/hr  
Output each.

Circulating Pumps  
Model 600

Mixing Valve

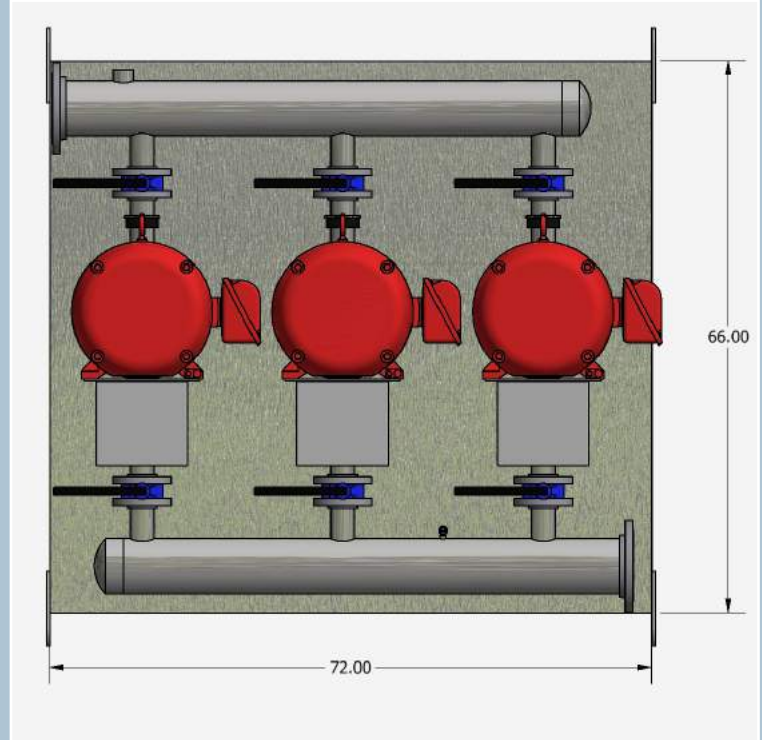
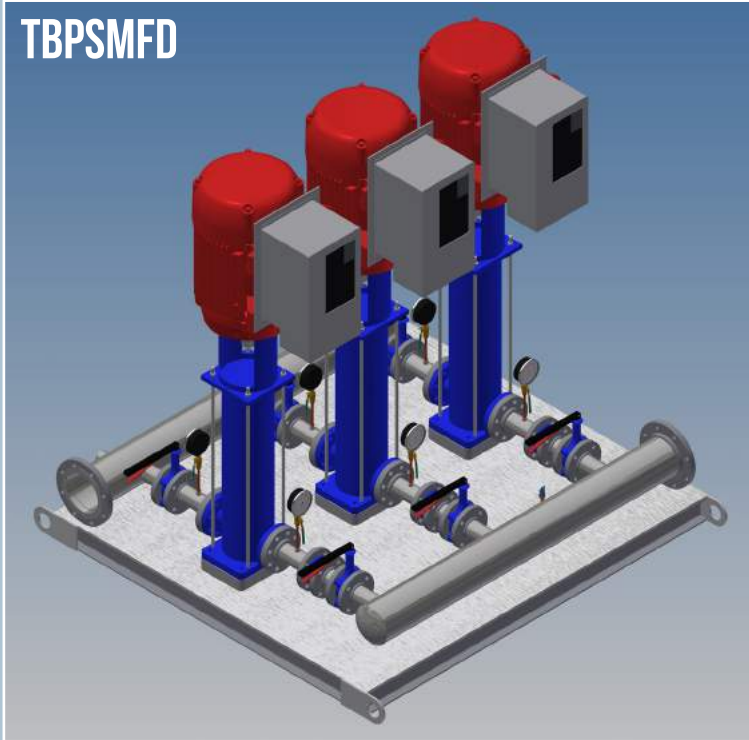


BUILT WITH :



AUTODESK  
REVIT

TBPSMFD

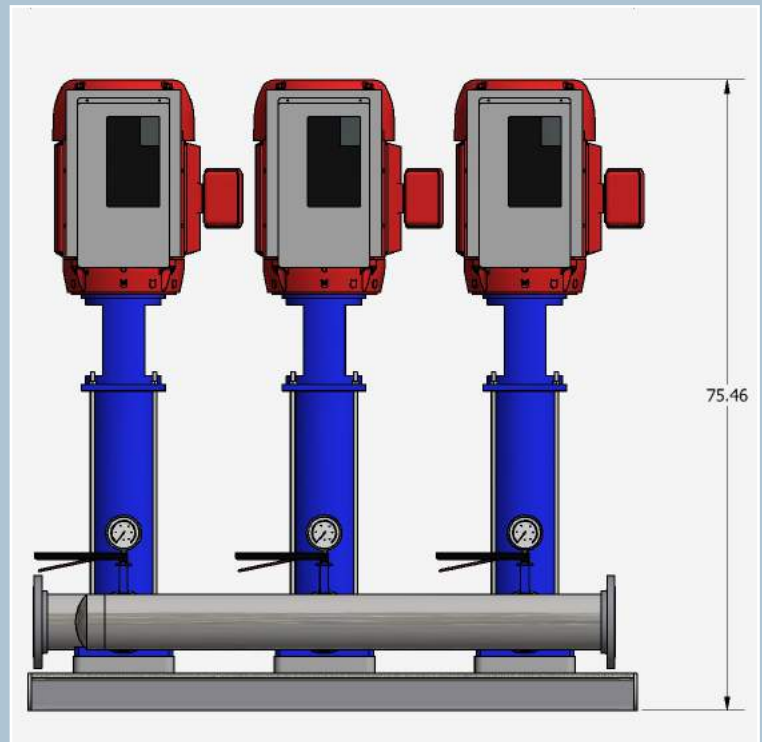


TRIPLEX PUMPS BOOSTER

TECHNICAL DATA

Multi-stage Pump with VFD  
Model PSM32-801

Capacity  
121 GPM  
570 Ft. head  
each

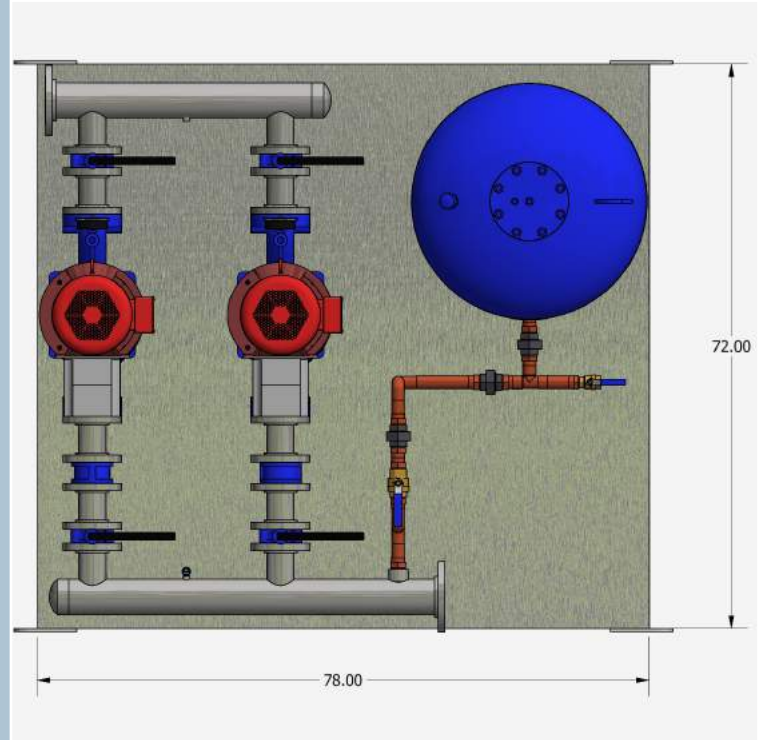
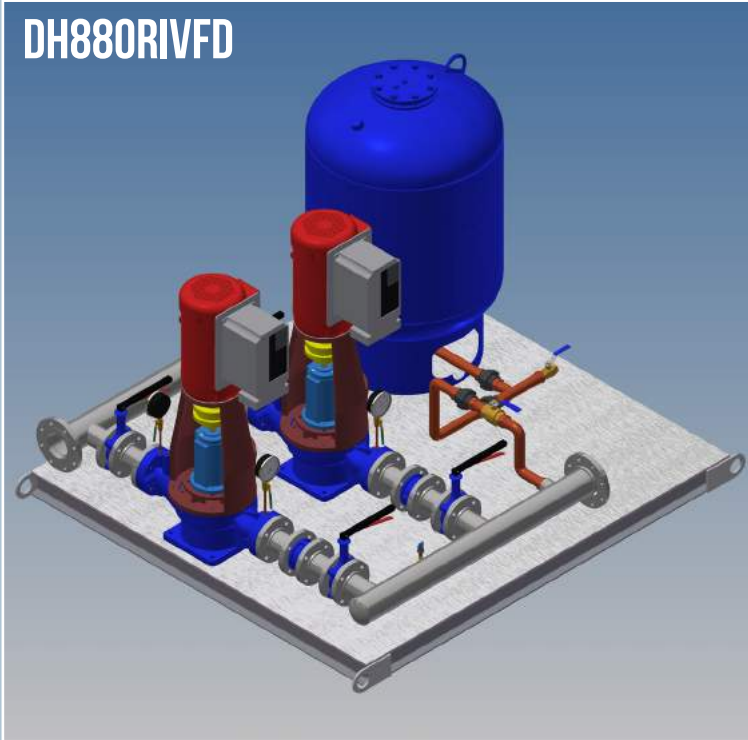


BUILT WITH :



AUTODESK  
REVIT

DH880RIVFD



DUPLEX PUMPS BOOSTER

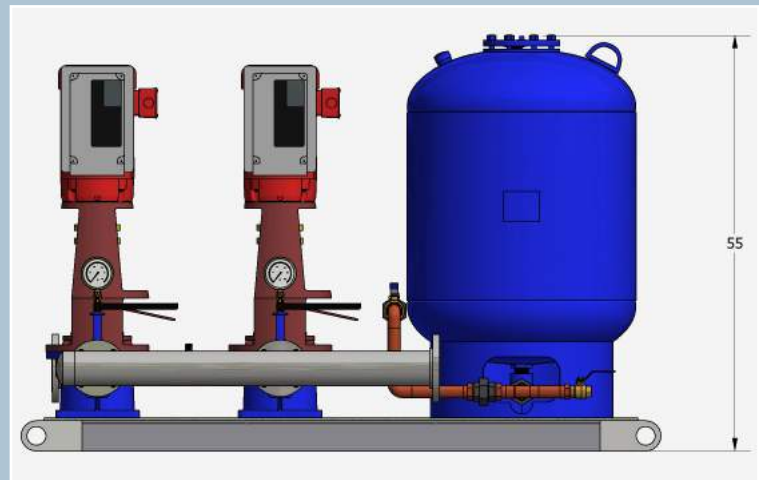
TECHNICAL DATA

Duplex Pumps with VFD  
Model 880RI

Capacity  
250 GPM  
115 Ft. head  
each

Expansion Bladder Tank

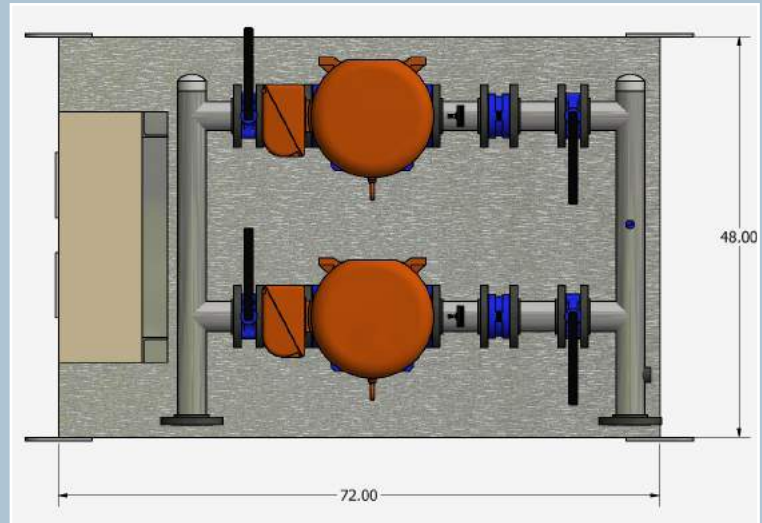
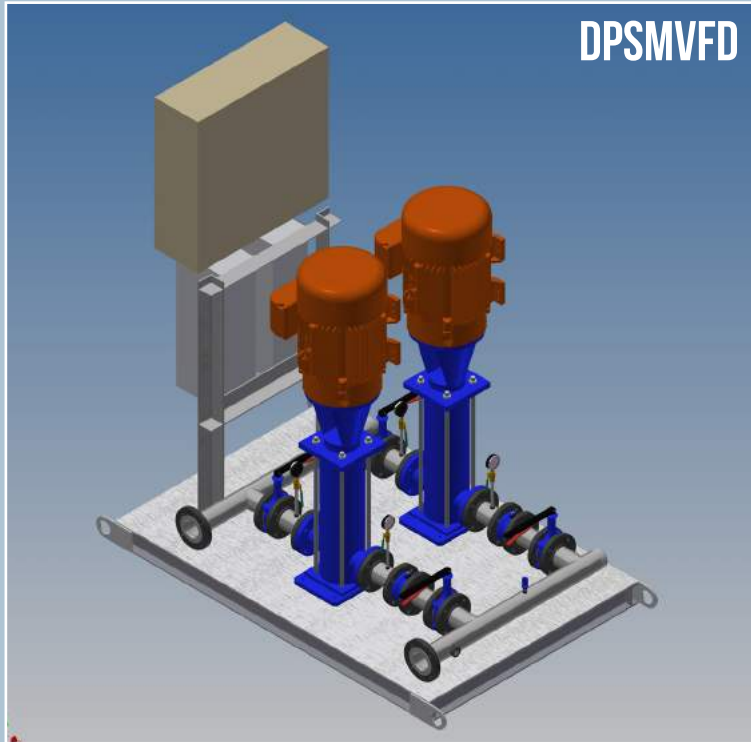
Capacity  
106 GAL



BUILT WITH :



AUTODESK  
REVIT



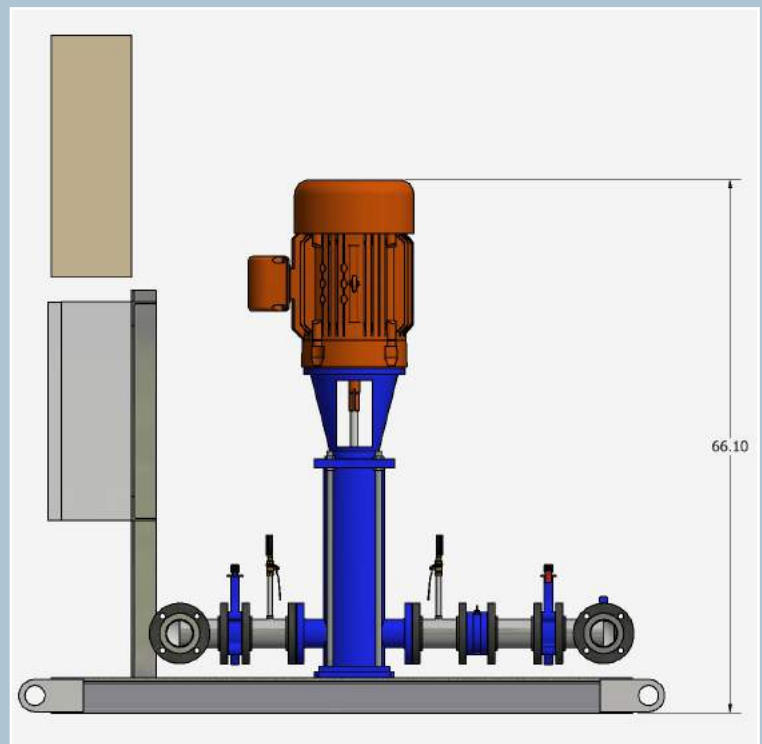
## DUPLEX PUMPS BOOSTER

### TECHNICAL DATA

Duplex Multi-Stage Pumps  
with VFD  
Model PSM42-40-2

Capacity  
190 GPM  
370 Ft. head  
each

Single Point Power  
Connection Panel

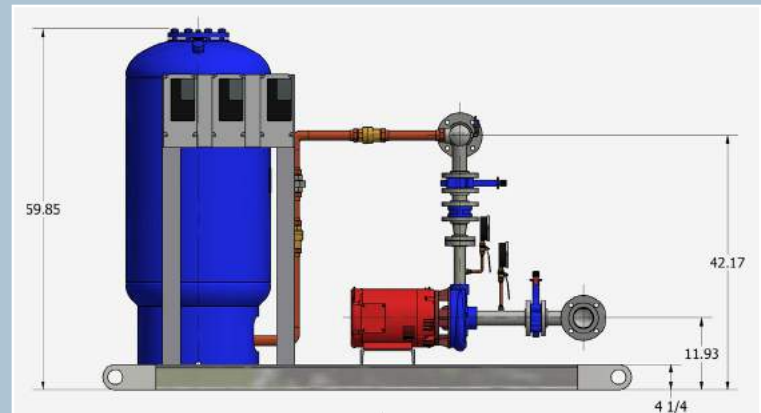
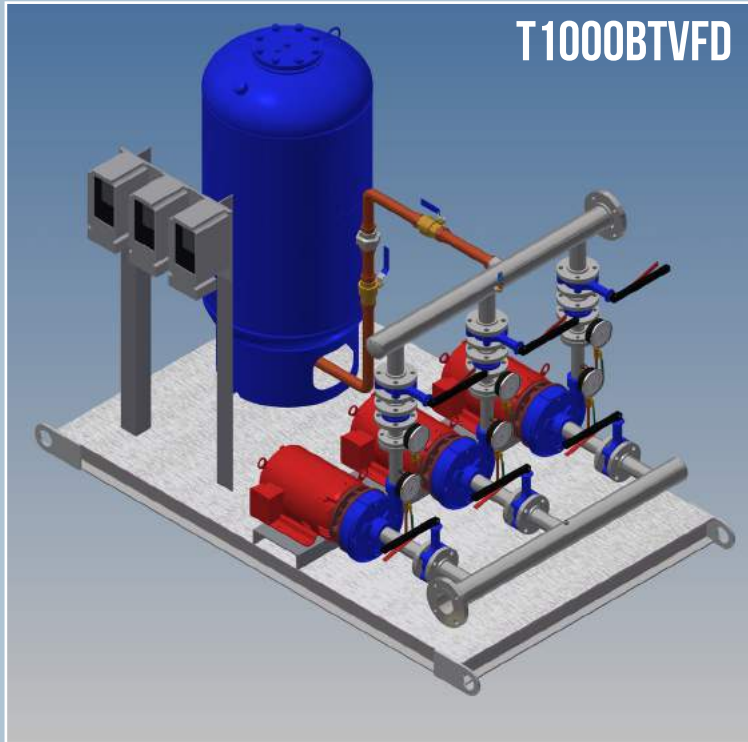


BUILT WITH :



AUTODESK  
REVIT





TRIPLEX PUMPS BOOSTER

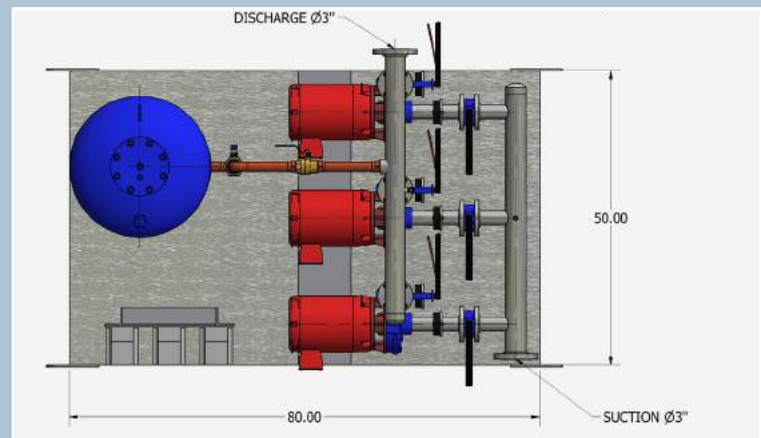
TECHNICAL DATA

Triplex End-Suction Pumps  
with VFD  
Model 1000-c815G

Capacity  
140 GPM  
210 Ft. head  
each

Expansion Bladder Tank

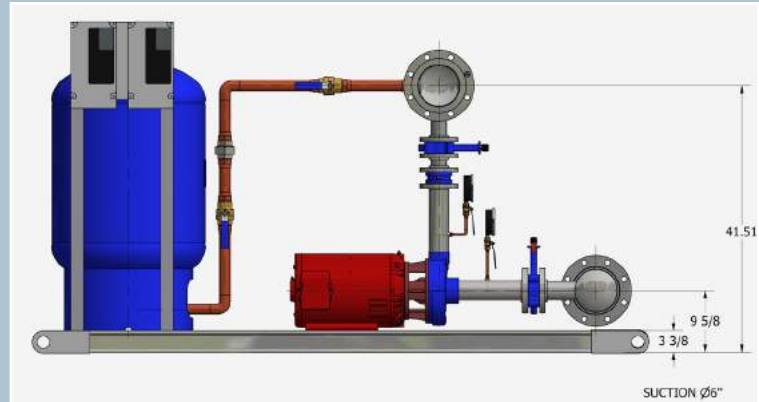
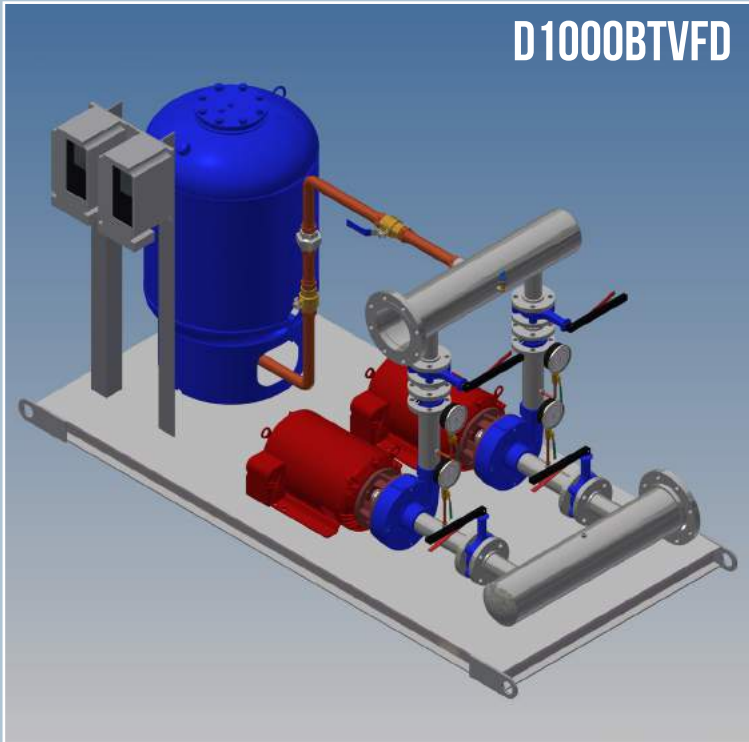
Capacity  
79 GAL.



BUILT WITH :



AUTODESK  
REVIT



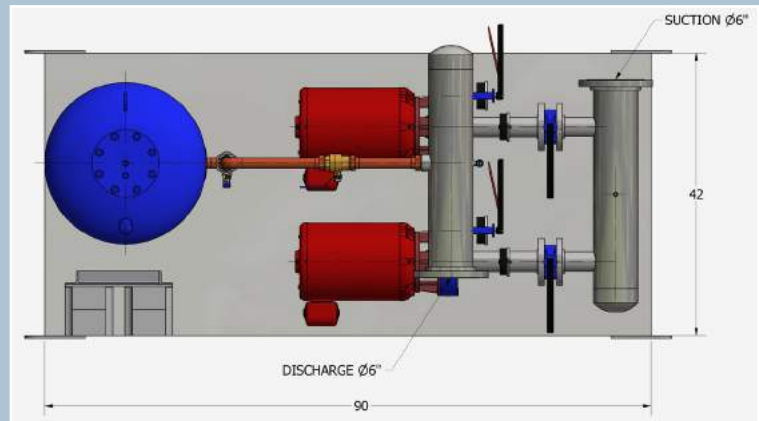
DUPLEX PUMPS BOOSTER  
TECHNICAL DATA

Duplex End-Suction Pumps  
with VFD  
Model 1000-c820A

Capacity  
275 GPM  
173 Ft. head  
each

Expansion Bladder Tank

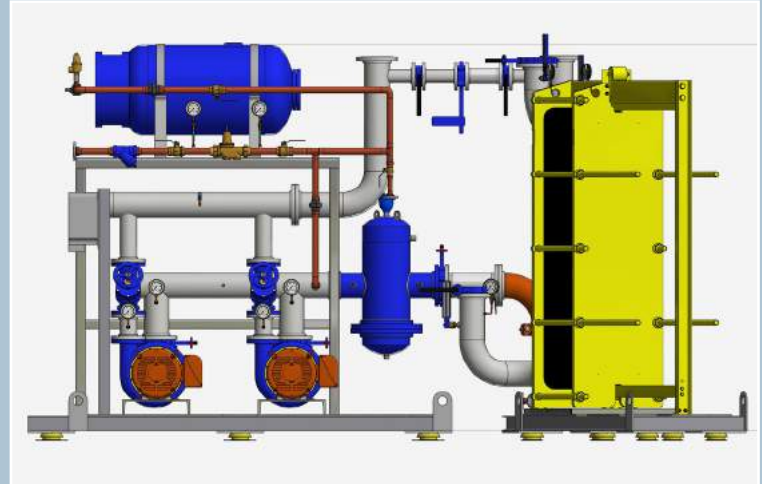
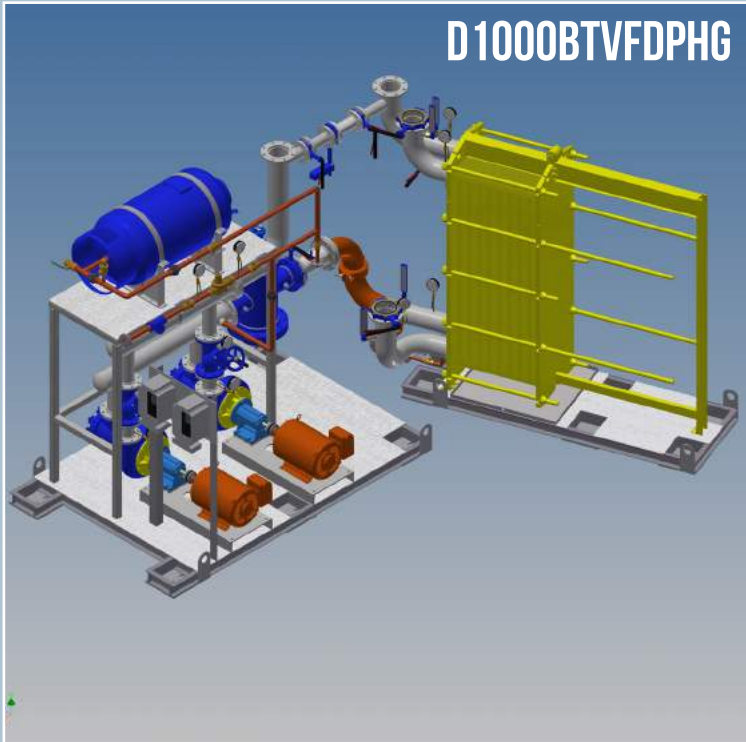
Capacity  
53 GAL.



BUILT WITH :



AUTODESK  
REVIT



## CHILLED WATER DUPLEX PUMPS SYSTEM

### TECHNICAL DATA

Duplex End-Suction Pumps  
with VFD

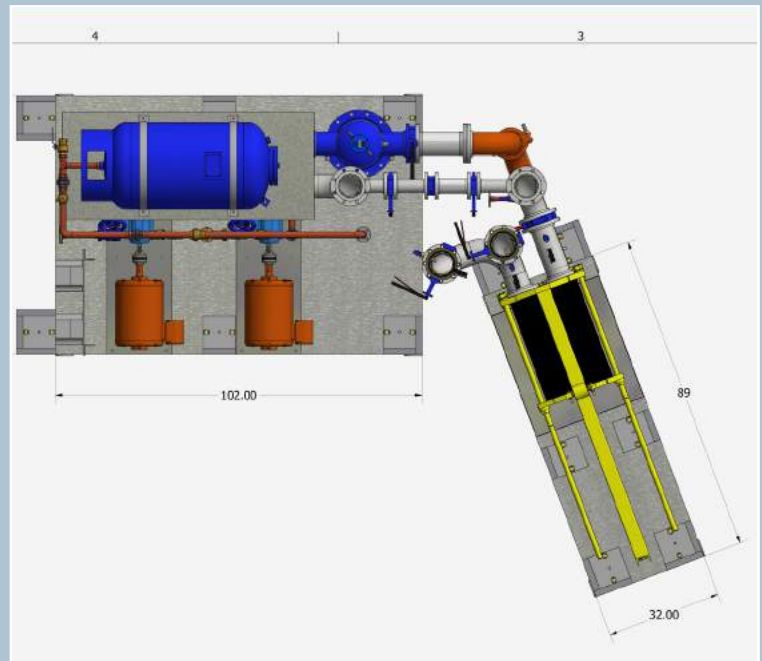
Capacity  
750 GPM  
100 Ft. head  
each

Expansion Bladder Tank

Capacity  
79 GAL.

Air & Dirt Separator

Heat Exchanger  
Plate & Frame

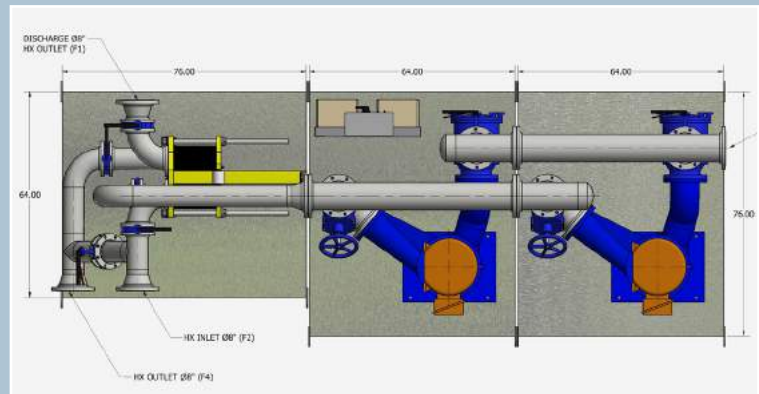
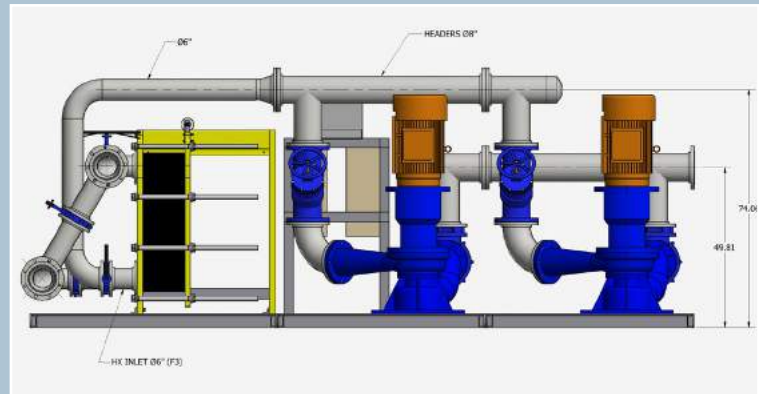
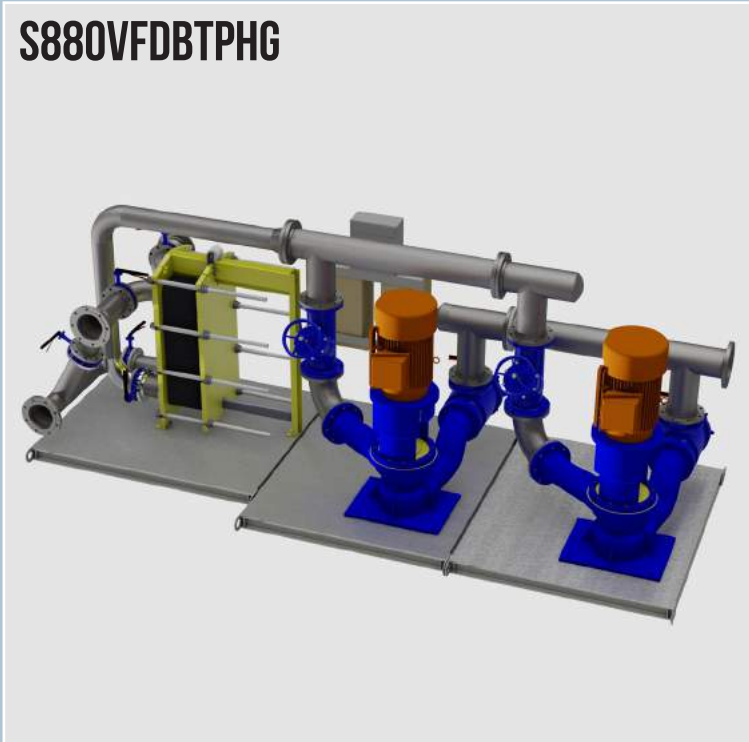


BUILT WITH :



AUTODESK  
REVIT

## S880VFDBTPHG



## CHILLED WATER PUMPS SYSTEM TECHNICAL DATA

Duplex Pumps  
with VFD  
Model XRI  
with 45 degree layout  
arrangement

Capacity  
1000 GPM  
100 Ft. head  
each

Heat Exchanger  
Plates & Frame

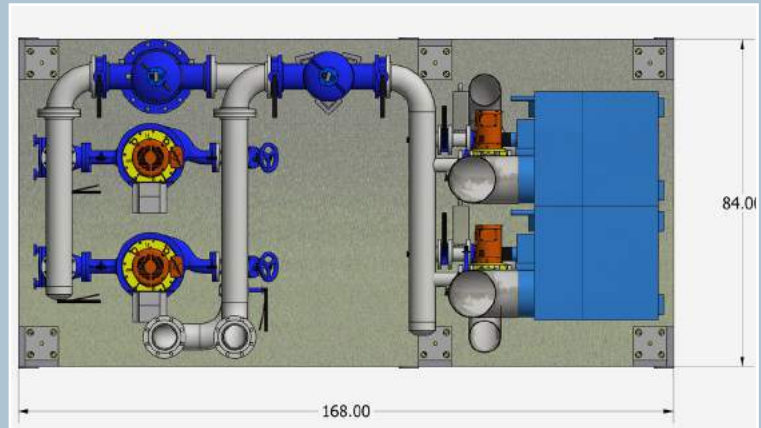
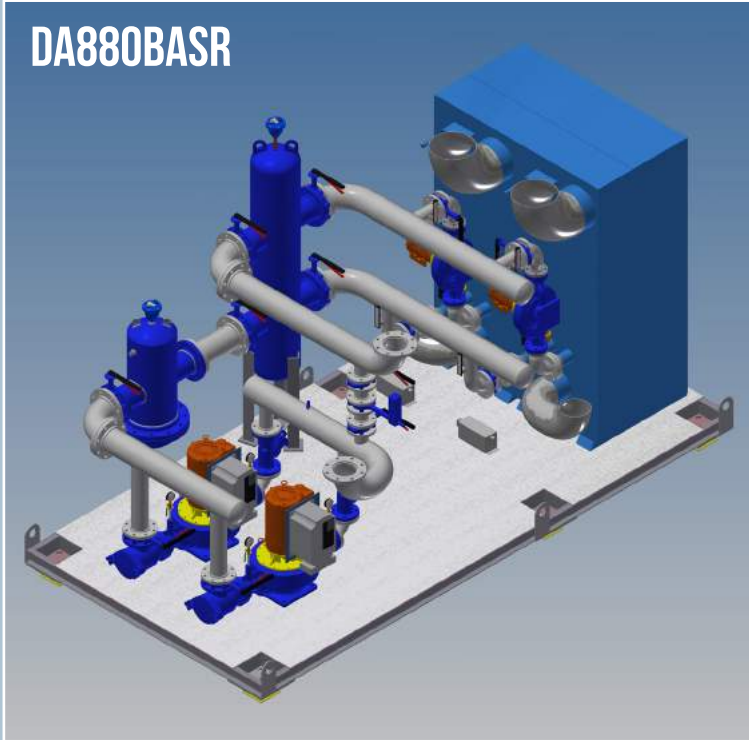


BUILT WITH :



AUTODESK  
REVIT

DA880BASR



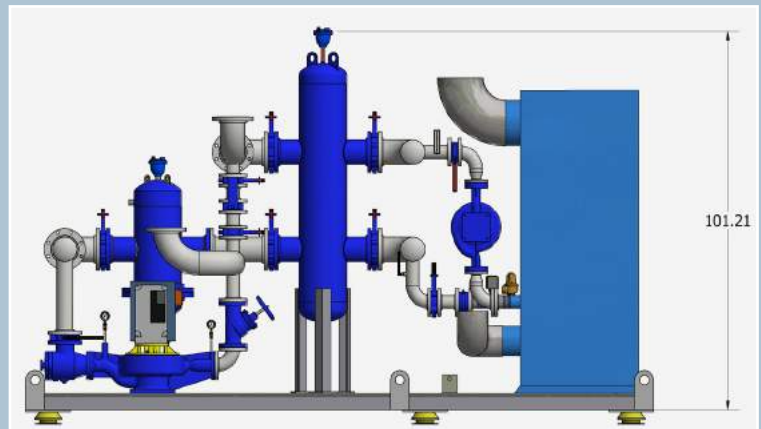
## HEATING PUMPS SKID TECHNICAL DATA

Duplex Gas Fired Boilers  
2500 MBTU/hr  
Output each

Duplex Inline Pumps  
Model 880

Capacity  
400 GPM  
100 Ft. head

Hydraulic Air Separator

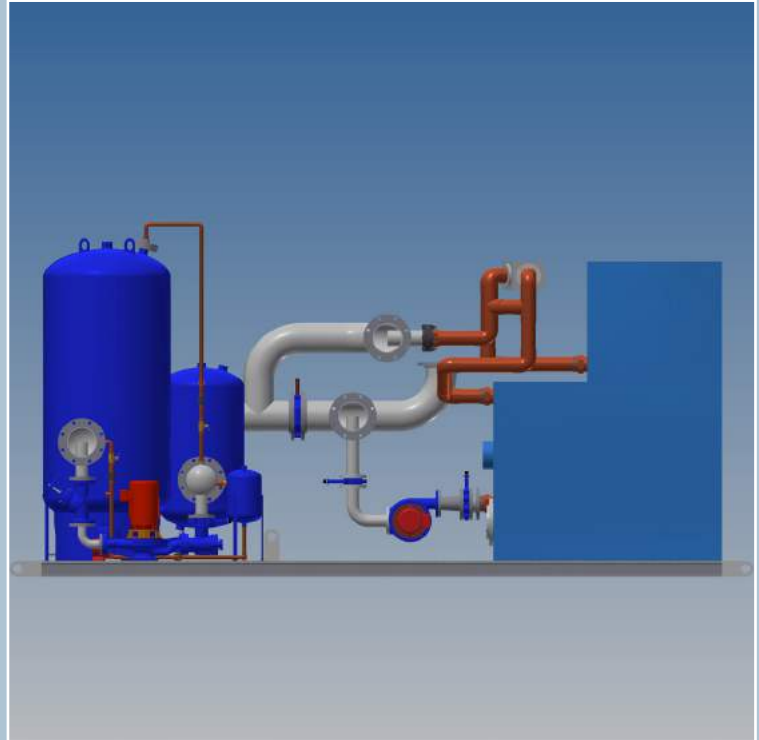
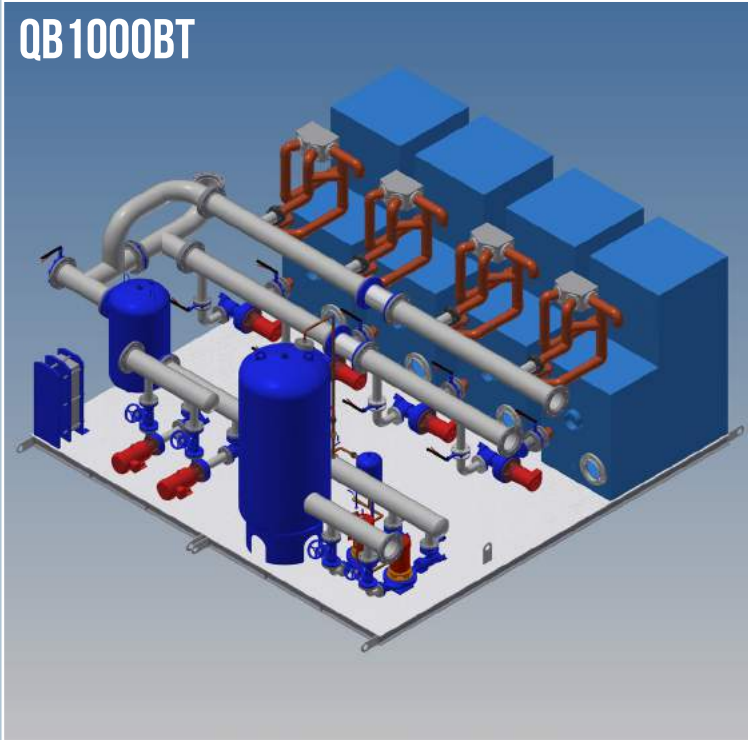


BUILT WITH :



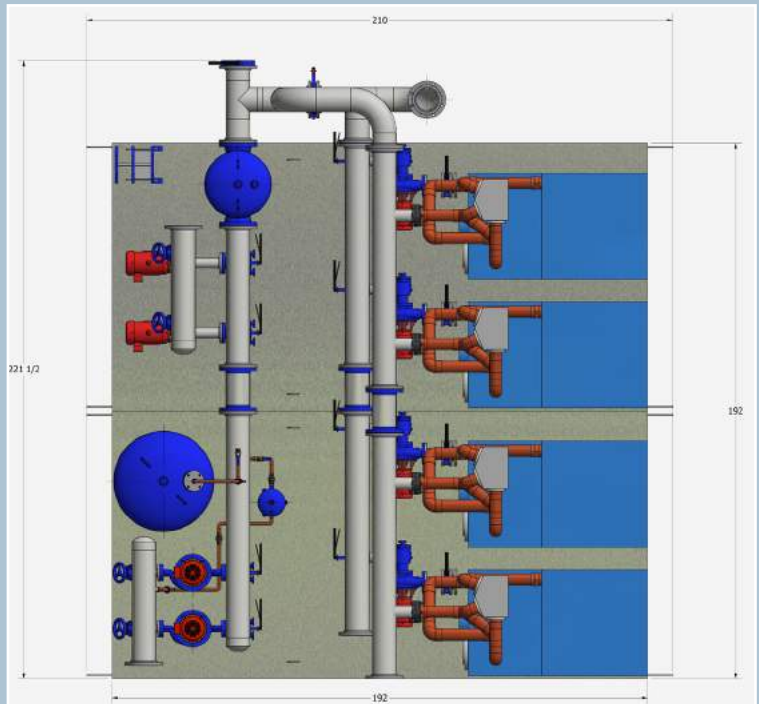
AUTODESK  
REVIT

QB 1000BT



## HEATING PUMP SYSTEM TECHNICAL DATA

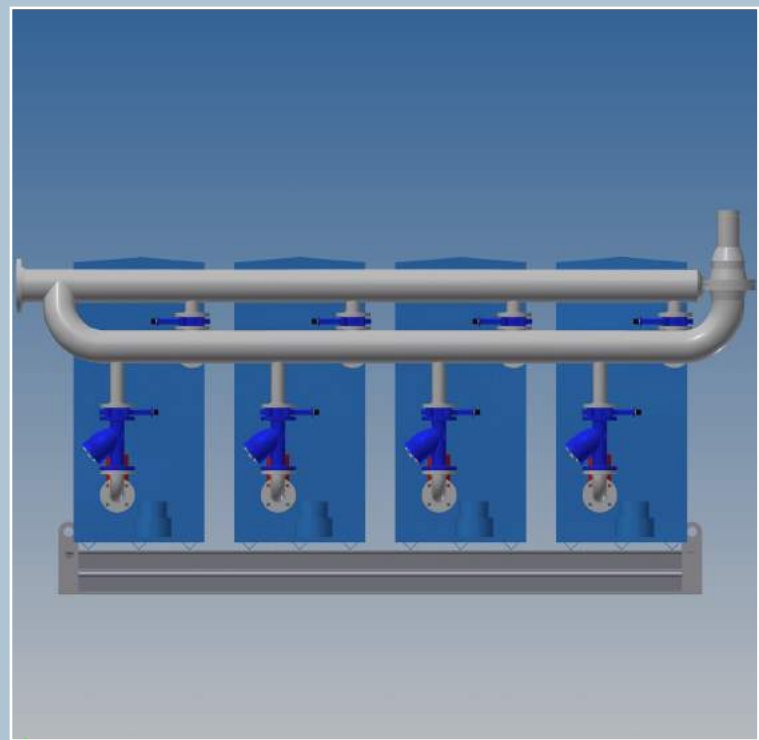
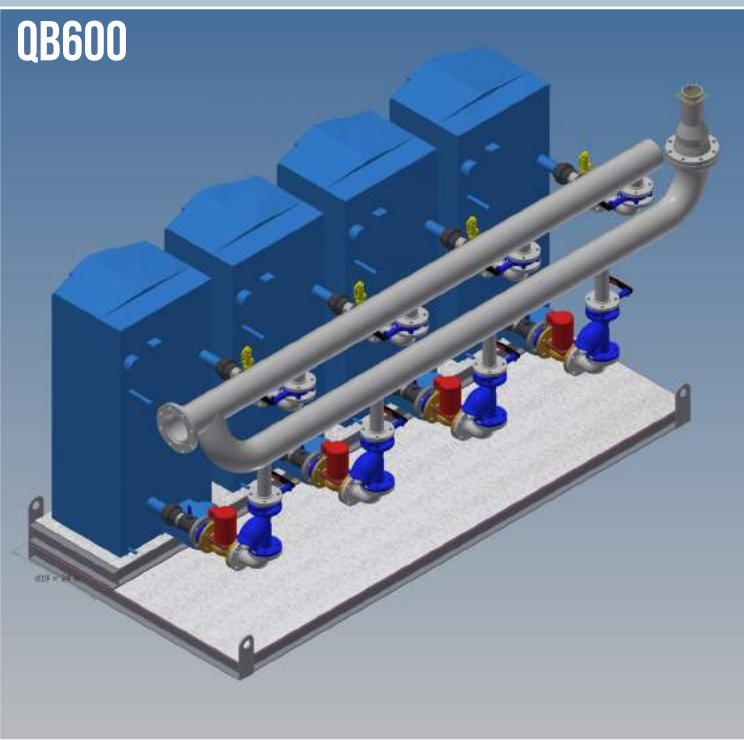
- Quadruplex Boilers
- Quadruplex Pumps
- Duplex Inline 880
- Duplex End-Suction



BUILT WITH :



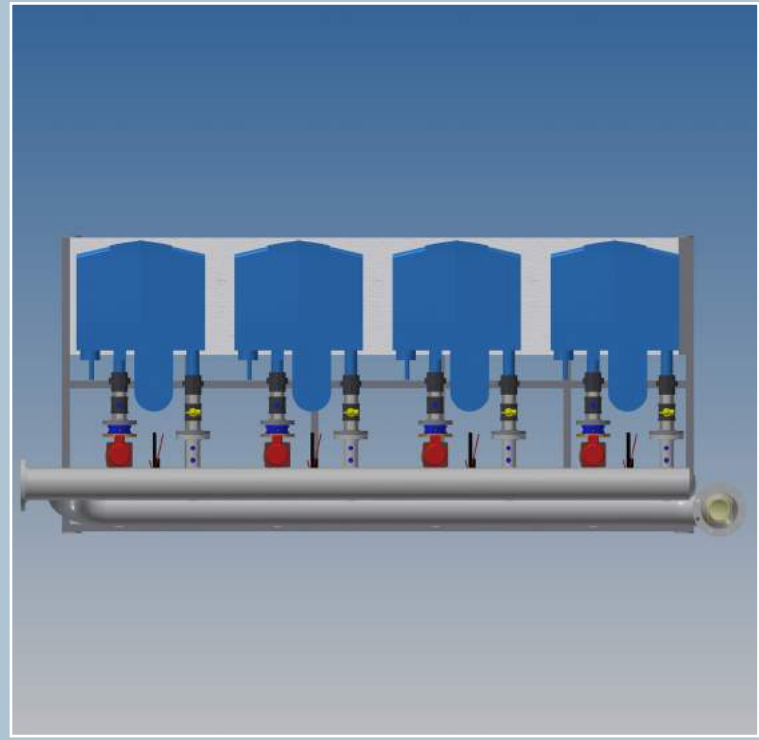
AUTODESK  
REVIT



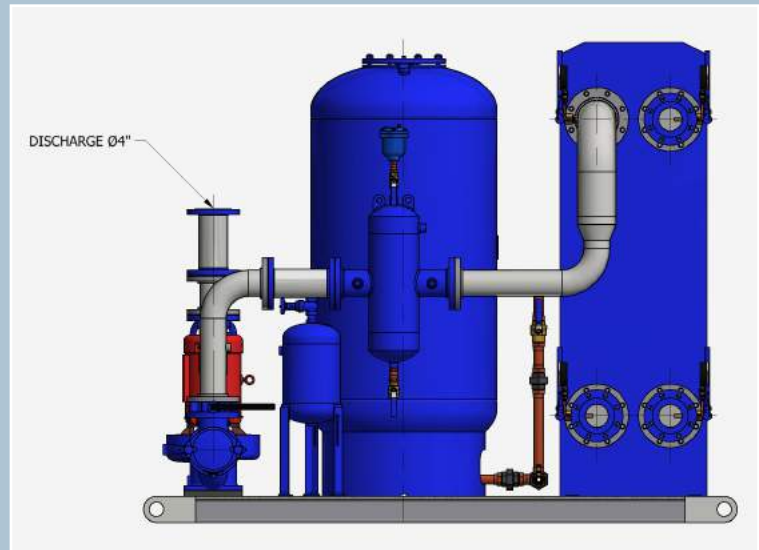
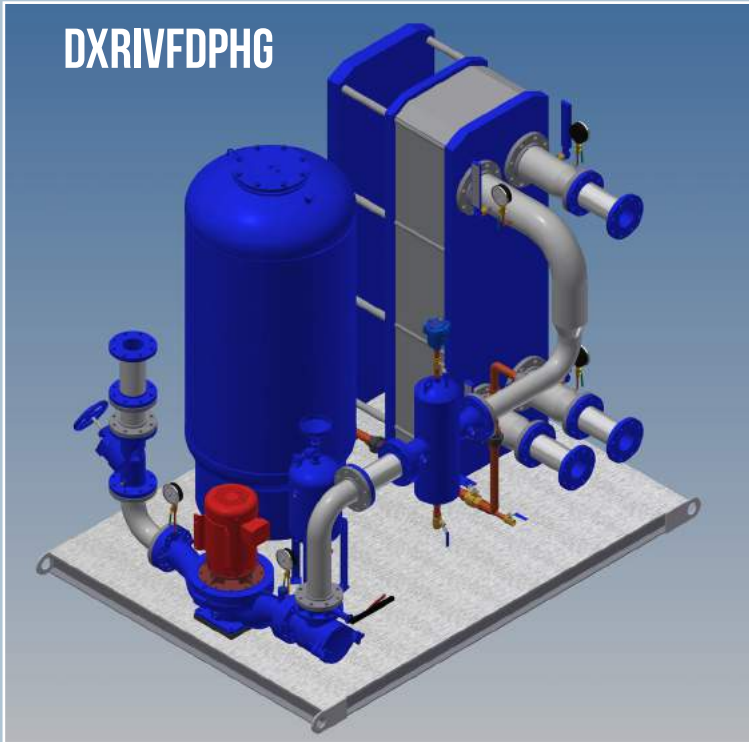
## HEATING PUMP SYSTEM TECHNICAL DATA

Quadruplex Boilers  
825 MBTU/hr  
each

Circulating Pumps  
Model 600



DXRIVFDPHG



## HYDRONIC HEATING PUMP SYSTEM TECHNICAL DATA

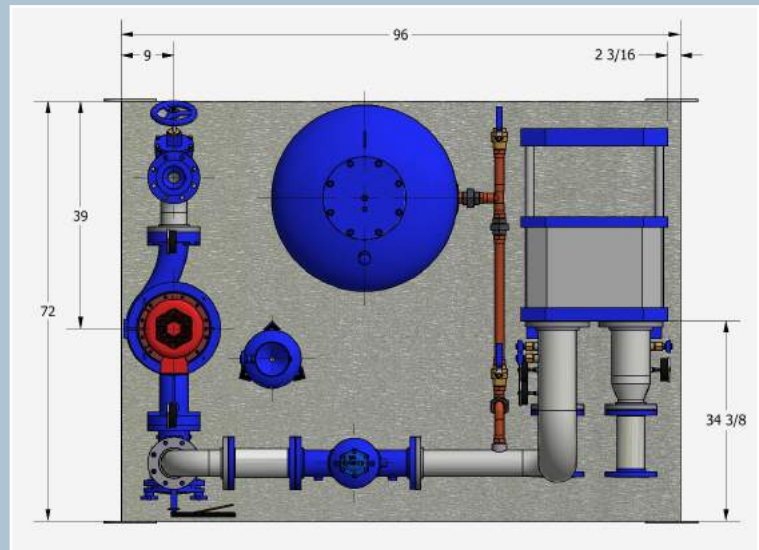
Simplex Pump  
Inline Model 880

Capacity  
252GPM  
60 Ft. head  
each

Heat Exchanger  
Plates & Frame

Expansion Tank

Capacity  
211 GAL.

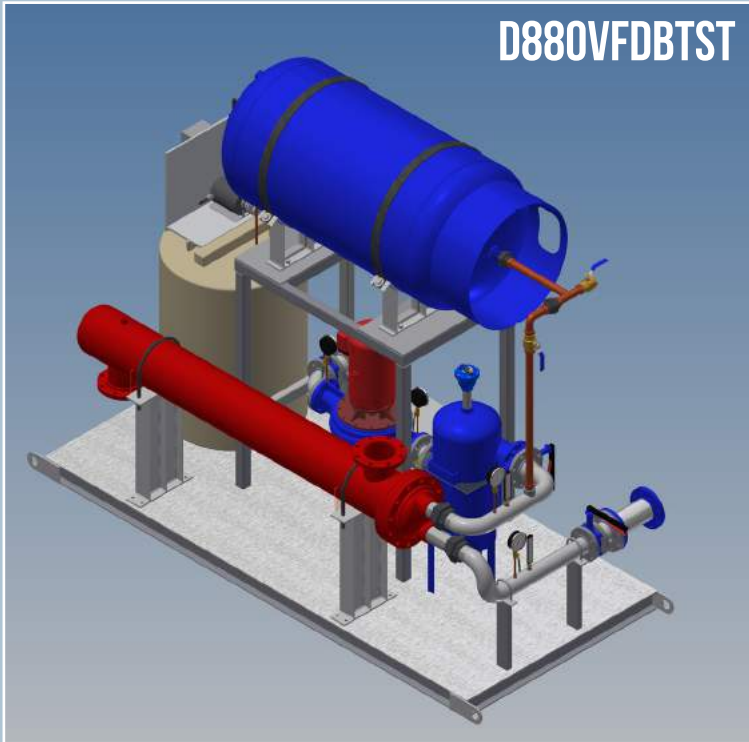


BUILT WITH :

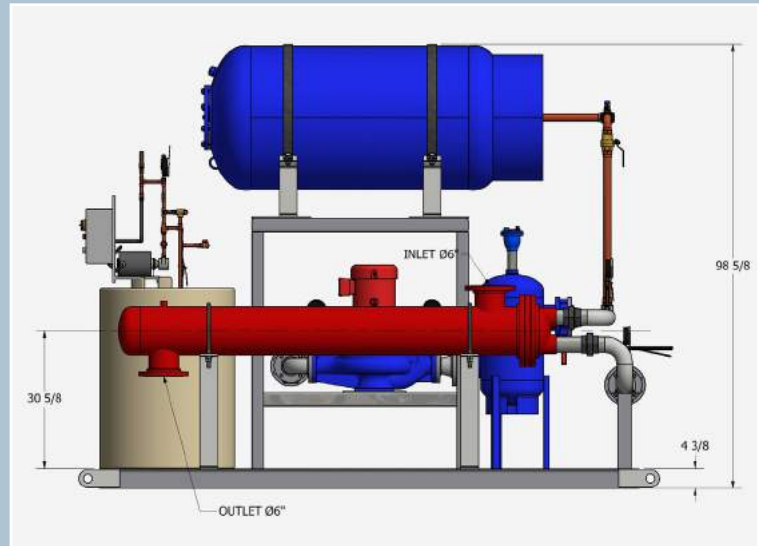


AUTODESK  
REVIT





D880VFDBTST



## HYDRONIC HEATING PUMP SYSTEM TECHNICAL DATA

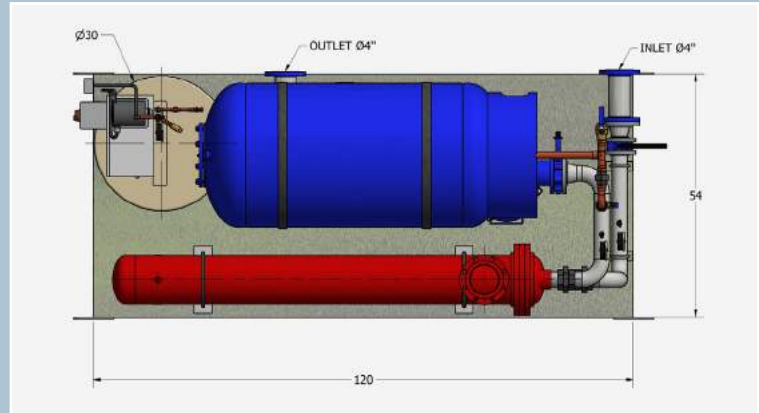
Simplex Inline Pump  
Model 880

Capacity  
195 GPM  
55 Ft. head  
each

Expansion Bladder Tank  
Capacity  
211 GAL.

Heat Exchanger  
Shell & Tubes

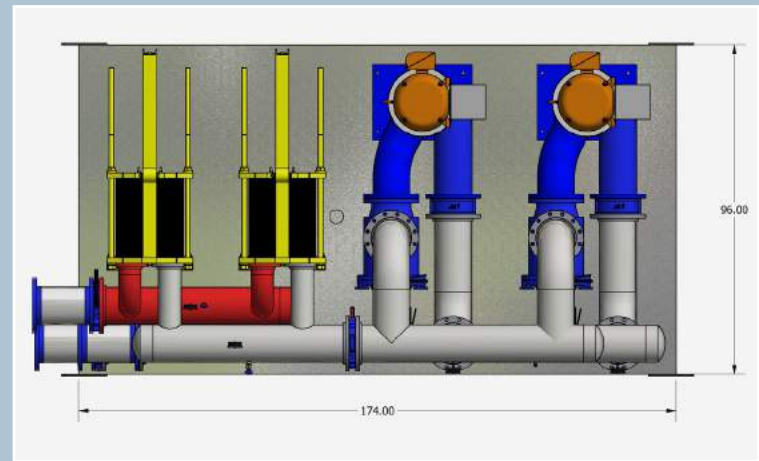
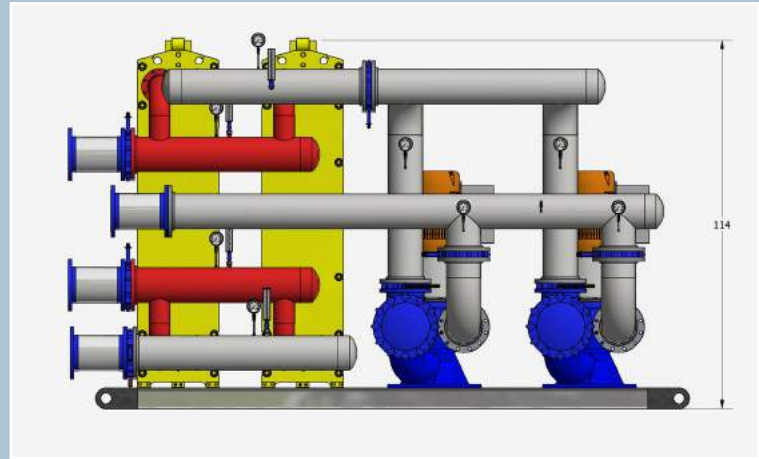
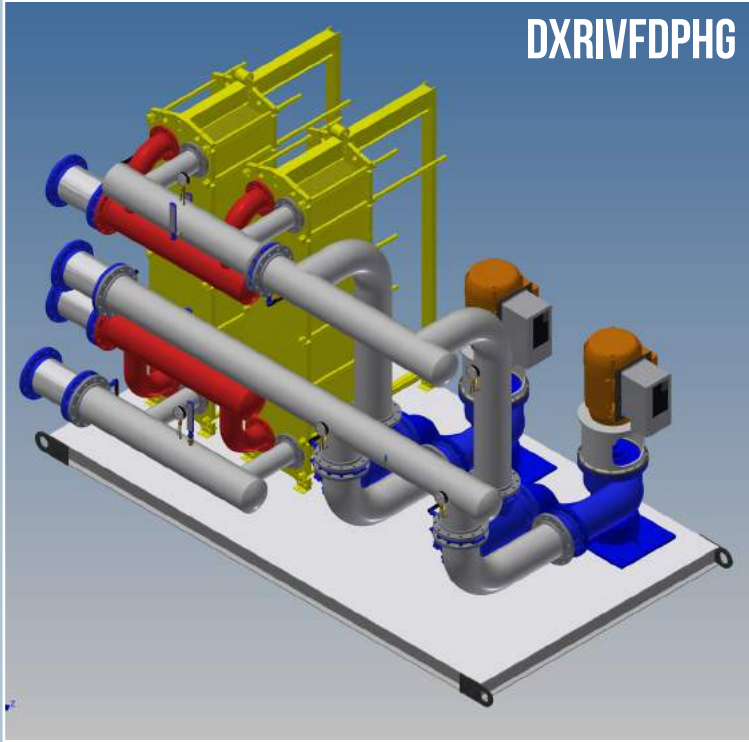
Simplex Glycol Feed  
Capacity  
52 GAL.



BUILT WITH :



AUTODESK  
REVIT



## HYDRONIC HEATING DUPLEX PUMPS SYSTEM

### TECHNICAL DATA

Duplex Pumps  
Model XRI

Capacity  
2550 GPM  
40 Ft. head  
each

Two Heat Exchangers  
Plates & Frame



BUILT WITH :

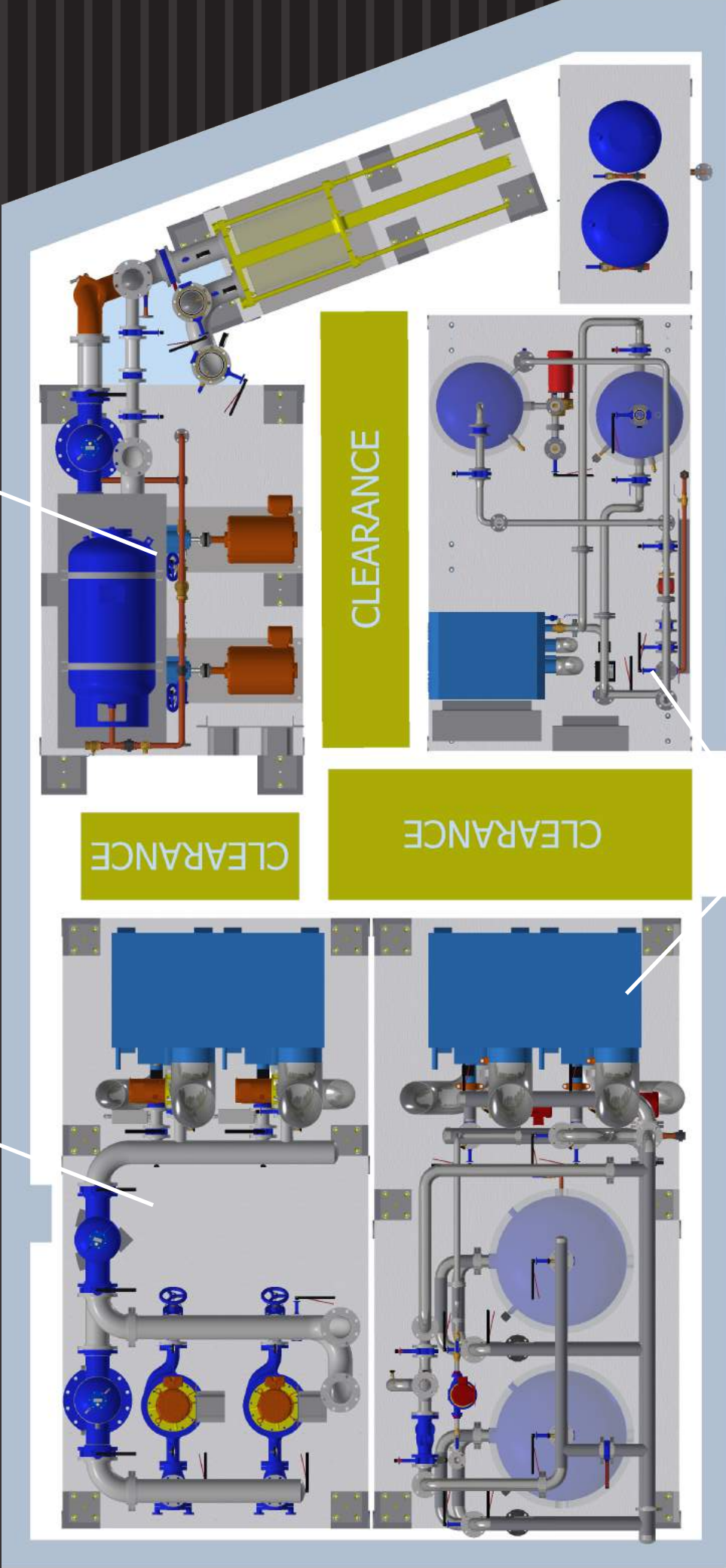


AUTODESK  
**REVIT**

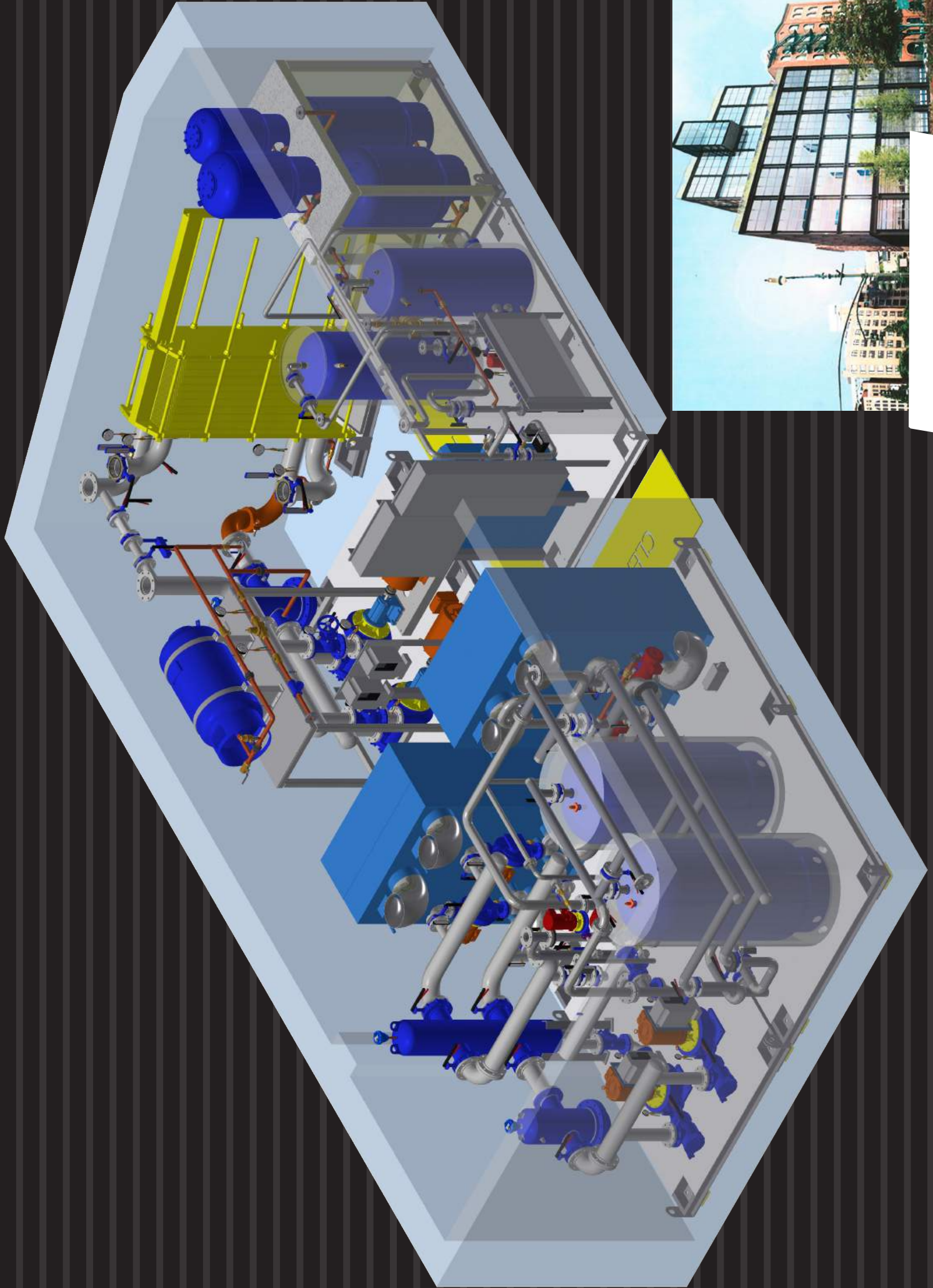
# Typical Mechanical Room

Hydronic Heating System Skid

Hydronic Cooling System Skid

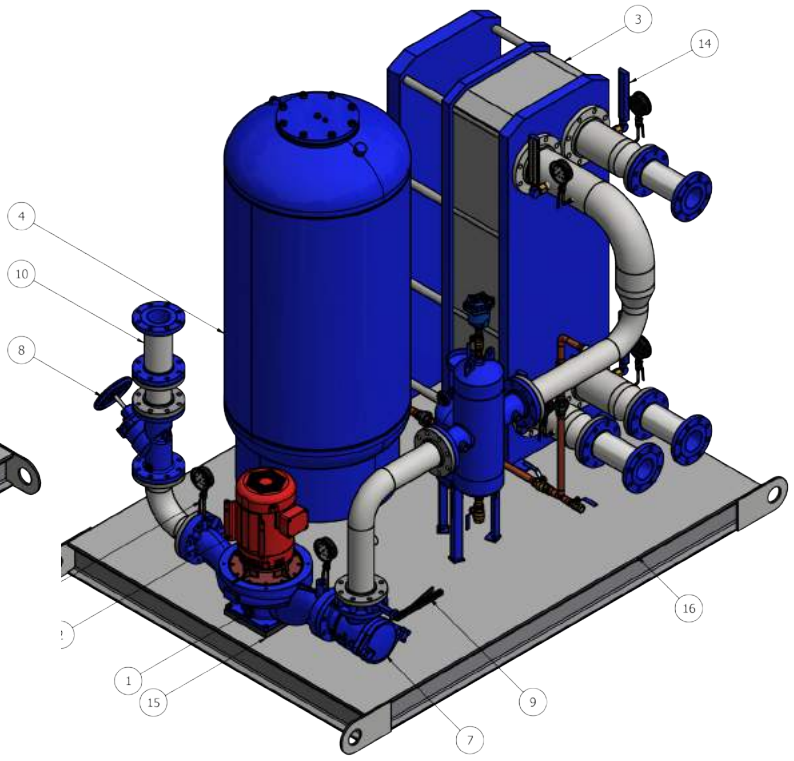
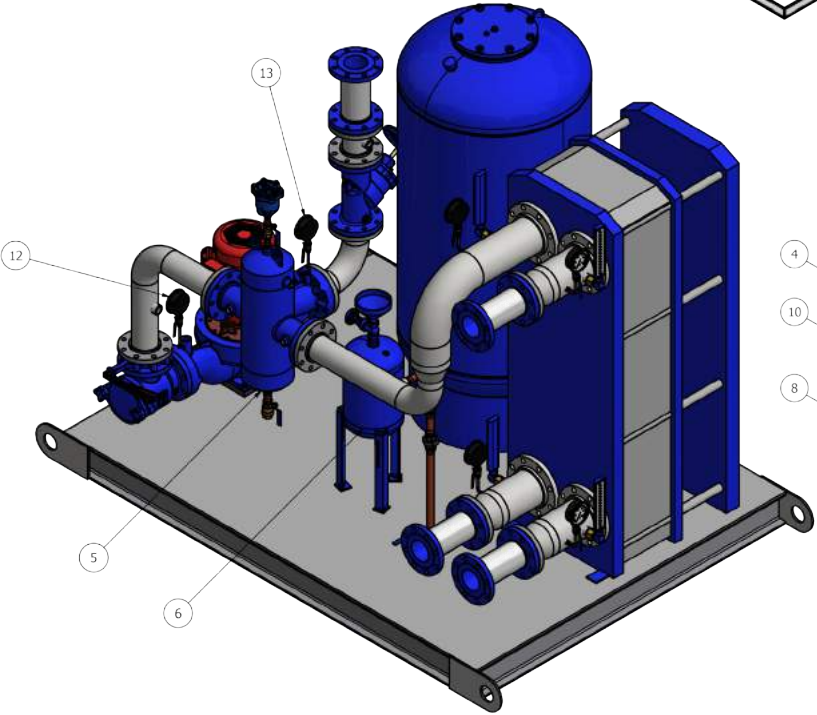
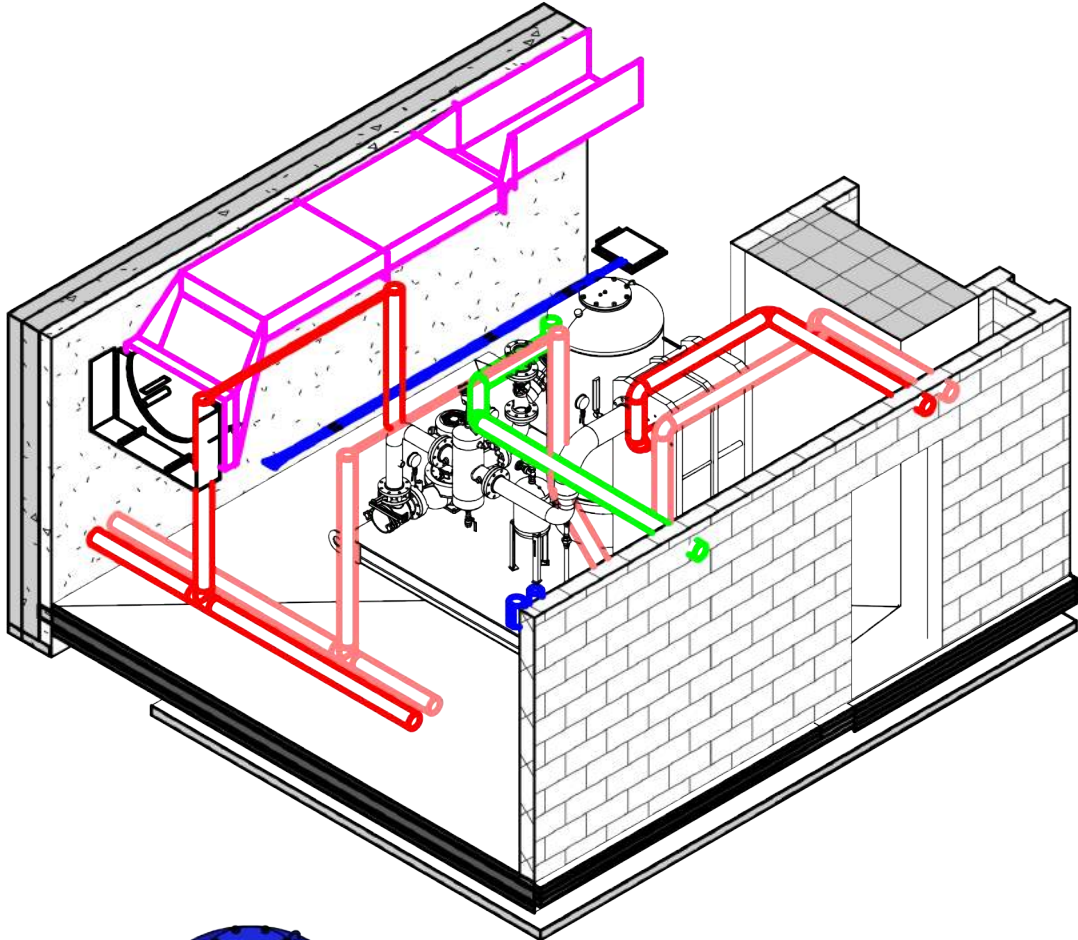


Hot Water Domestic Skids



**POD HOTEL, NEW YORK,  
UNITED-STATES**

# How it looks in the field inside the building ?



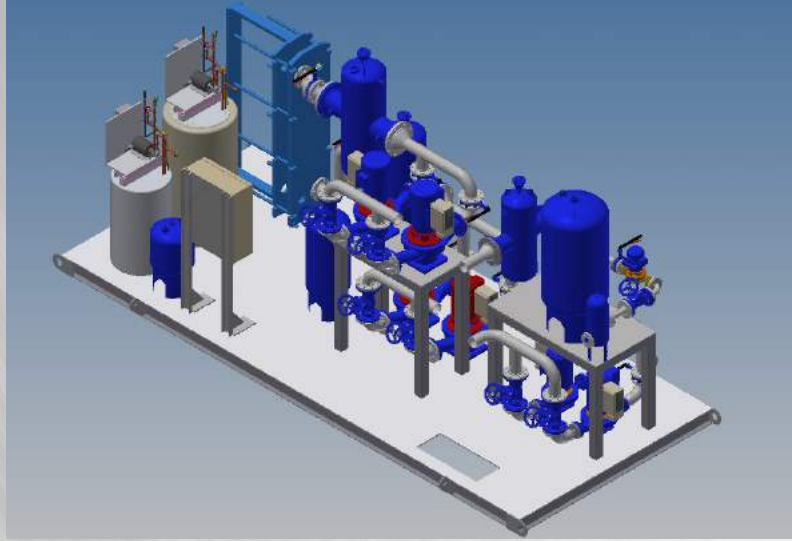
# How it looks in the field outside the building ?



# HYDRONICS COOLING/HEATING/DOMESTIC PACKAGES



# How it looks inside a shelter ?



We are proud supplier for the following completed and on going case studies projects :



**Rockefeller Plaza**  
New York, NY, US  
<http://www.rockefellercenter.com>



**La Malbaie Hospital**  
La Malbaie, Quebec, Canada  
[www.cssscharlevoix.qc.ca](http://www.cssscharlevoix.qc.ca)



**Old Montreal College**  
Montreal, Quebec, Canada  
[www.cvm.qc.ca](http://www.cvm.qc.ca)



**Wananesa Quebec**  
Montreal, Quebec, Canada  
[www.wananesa.com](http://www.wananesa.com)



**The Gazette**  
Montréal, Quebec, Canada  
[www.montrealgazette.com](http://www.montrealgazette.com)



**Tommy Bahama**  
New York City, NY, U.S.A.  
[www.tommybahama.com](http://www.tommybahama.com)

## Sales and Service:

Quebec, Canada  
Tel. : (450) 621-2995  
Fax : (450) 621-4995

Lake Worth  
Florida, USA  
33467-5749

Toronto, Canada  
Tel. : +1 (647) 544-2995

[www.flofab.com](http://www.flofab.com)

SERVICE 24/7 : [parts@flofab.com](mailto:parts@flofab.com)

