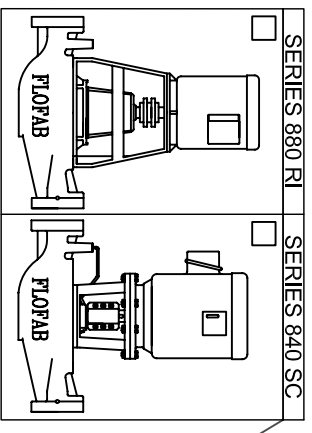
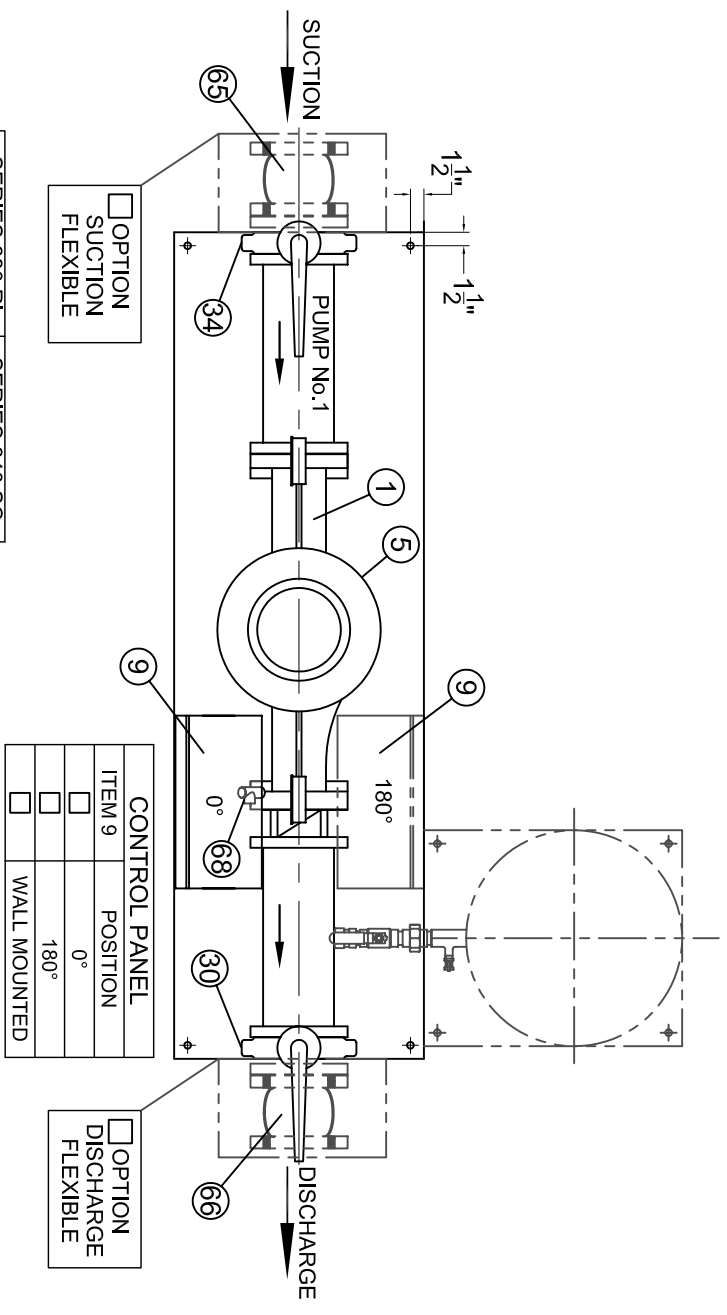


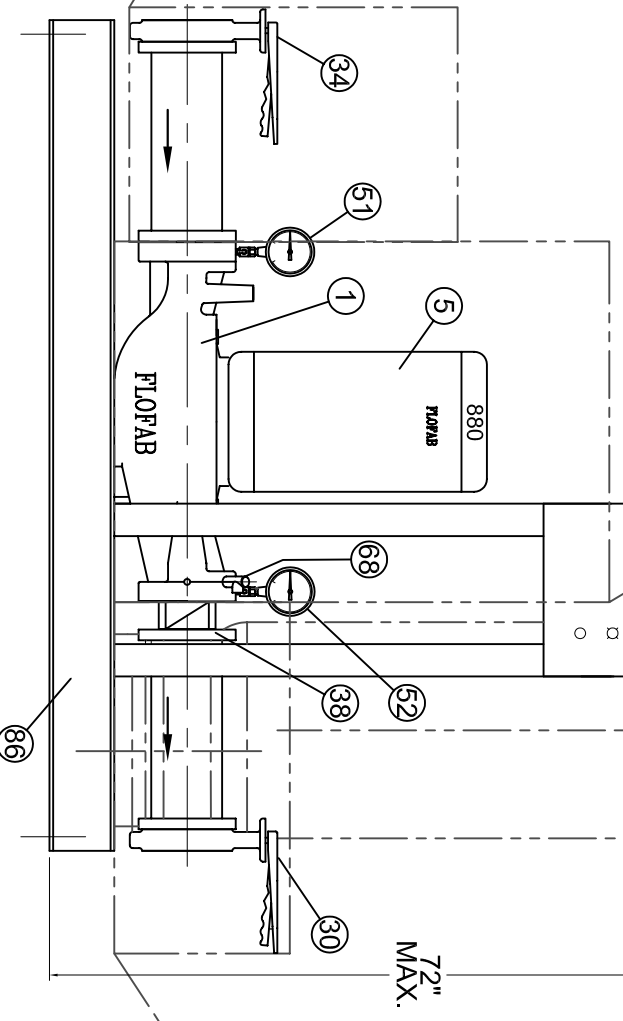
SUCTION OPTIONS	
PUMP No.1	
STANDARD	OPTIONS
<input type="checkbox"/>	A
<input type="checkbox"/>	B



- HYDROPNEUMATIC TANK**
- NOT INCLUDED
 - INCLUDED
 - MOUNTED
 - SHIP LOOSE

DISCHARGE OPTIONS

DISCHARGE OPTIONS	
PUMP No.1	
STANDARD	OPTIONS
<input type="checkbox"/>	C



- S-HC-_____
- S-HC-HT-_____

FLO FAB AQUA PROFAB	
880 BOULEVARD INDUSTRIEL BOIS-DE-S-FILON, Q.C. J0Z 4V7 (450) 621-2995	
ENGINEER/INGENIEUR M.L.YMBURNER	CUSTOMER/CLIENT _____
PART LIST N°/LISTE DE MATERIEL N° _____	DATE/DATE APRIL 2007
SCALE/ECHELLE N/A	DRAWING N°/N° DESSIN S-HC-880_890 RI_840 SC_SUBMITTAL 0
DRAWING BY/DESIGNATEUR M.L.YMBURNER	REV 0

NO	QTY	DESCRIPTION	SIZE	PART NUMBER
1	1	PUMP 1		
5	1	M1 MOTOR		
9	1	PANEL CONTROL		
14		NO. 1 TRIPLE DUTY VALVE		
18		NO. 1 SUCTION DIFFUSER (WITH STRAINER)		
22		NO. 1 Y-STRAINER		
30		NO. 1 DISCHARGE BUTTERFLY VALVE		
34		NO. 1 SUCTION BUTTERFLY VALVE		
38		NO. 1 DISCHARGE CHECK VALVE		
51	1	SUCTION PRESSURE GAUGE		
52	1	DISCHARGE PRESSURE GAUGE		
53	2	PET COCKS		
57		DISCHARGE EXPANSION TANK (CPS SYSTEM)		
65		SUCTION FLEXIBLE		
66		DISCHARGE FLEXIBLE		
68	1	P1 TEMPERATURE RELIEF CONTROL VALVE		
86	1	STEEL FABRICATED BASEPLATE		

<input type="checkbox"/>	S-HC-_____
<input type="checkbox"/>	S-HC-HT-_____

<small>TITLE / TITRE</small> FLO FAB - SIMPLEX "HC" SERIES 880_880 RI_840 SC	
MATERIAL LIST	
<small>PROJECT / PROJET</small>	
<small>CUSTOMER / CLIENT</small>	
<small>DRAWING N° / N° DESSIN</small>	<small>DATE / DATE</small>
	MAY 2007
<small>860 BOULEVARD INDUSTRIEL BOIS-DES-FILION, QC J6Z 4V7, (450) 621-2995</small>	
<small>DRAWN BY / DESSINATEUR</small> M. LYMBURNER	<small>SCALE / ECHELLE</small> N / A
<small>PART LIST N° / LISTE DE MATERIEL N°</small>	
<small>REV</small>	<small>REV</small>
<small>DESCRIPTION</small>	0
<small>DATE</small>	
<small>INIT.</small>	