

PARTS LIST		
ITEM	QTY	DESCRIPTION
1	1	BOILER SKID
2	1	PUMP SKID
3	3	LAARS BOILER MGH 3500
4	3	P-101-102-103 (880RI-4X4-8)
5	3	MOTOR 3HP/1750RPM/3PH/220/60 182TC
6	1	BT-4000V EXPANSION TANK
7	1	TAG: AS-2 (ADSF-8-F AIR AND DIRT SEPARATOR)
8	3	SUCTION DIFFUSER 4" X 4"
9	3	MULTI-FUNCTION VALVE 4"
10	2	STAINLESS STEEL FLEXIBLE CONNECTOR 8"
11	3	STAINLESS STEEL FLEXIBLE CONNECTOR 3"
12	3	BUTTERFLY VALVE 3"
13	6	BUTTERFLY VALVE 4"
14	6	BALL VALVE 1/4"
15	3	PRESSURE GAUGE - 0-60 PSI
16	3	PRESSURE GAUGE - 0-200 PSI
18	6	4" VICTAULIC RIGID COUPLING - STYLE 870

NOTE:
 - PIPING MATERIAL: SA106GRB STEEL PIPE SCHEDULE 40
 - 3 LAARS BOILERS MGH3500 SUPPLIED BY HUDSON

DRAWING %	
FABRICATION	X
100%	
90%	
75%	
50%	
PRELIMINARY	

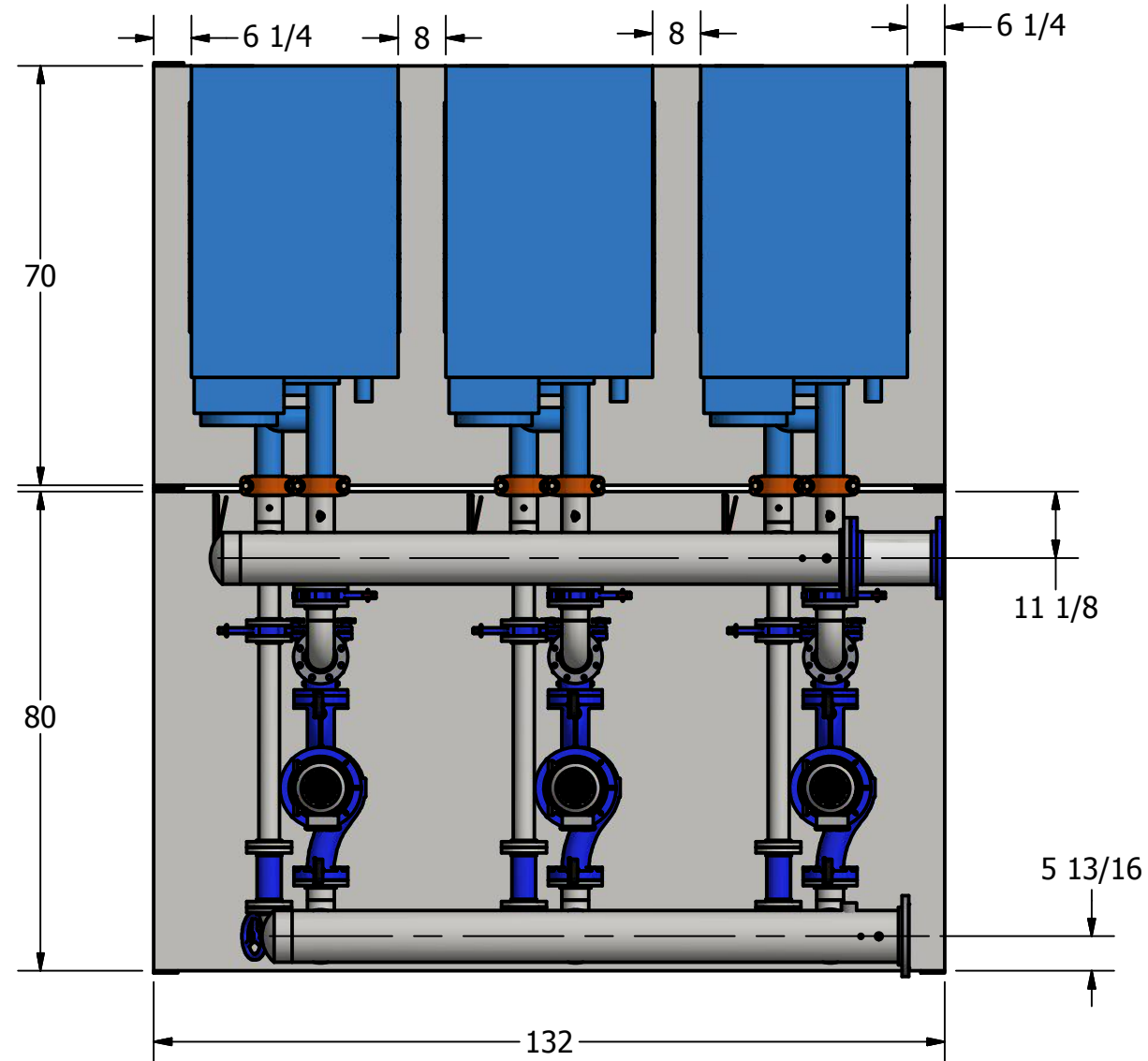
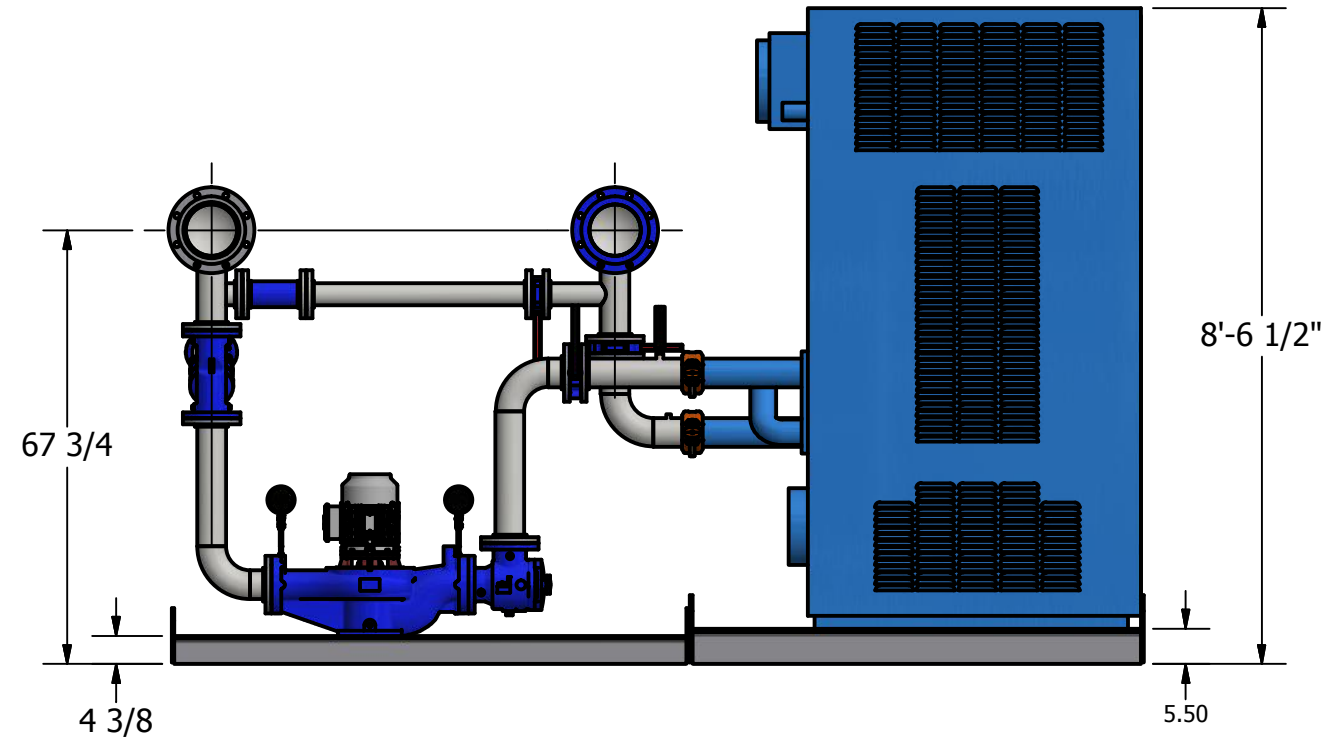
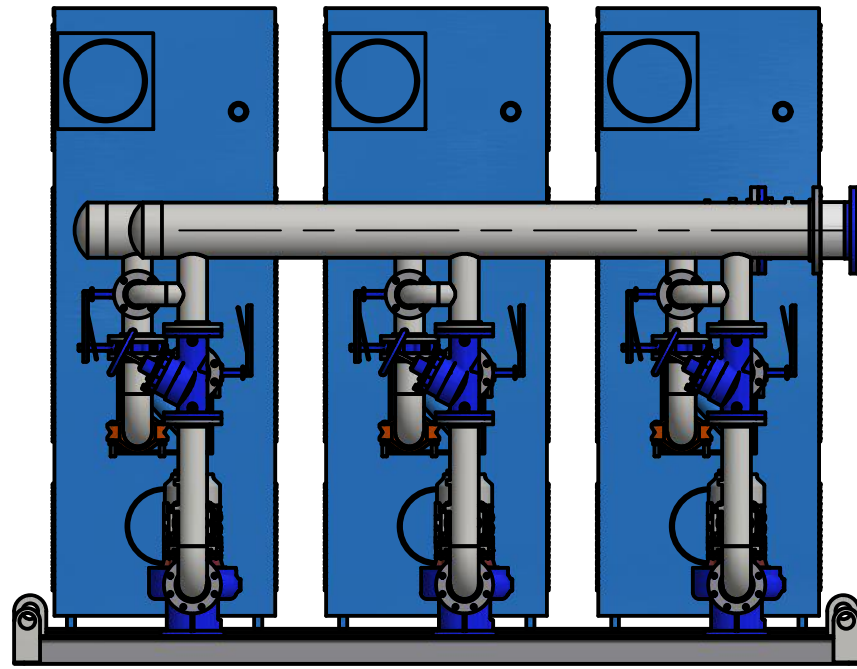
REVISION HISTORY		
REV	DESCRIPTION	DATE
1	INITIAL DRAWING	2015/07/03
2	MODIFIED COMPONENTS	2015/08/17
3	MODIFIED PUMP MODEL	2015/09/03
4	CHANGE BOILER MODEL (LAARS COMPANY)	2016/01/13
5	CHANGE PUMP MODEL 880RI & TANK BT-4000	2016/01/26
6	FABRICATION DRAWING	2016/06/09


THIS DRAWING MUST BE SENT WITH PURCHASE ORDER

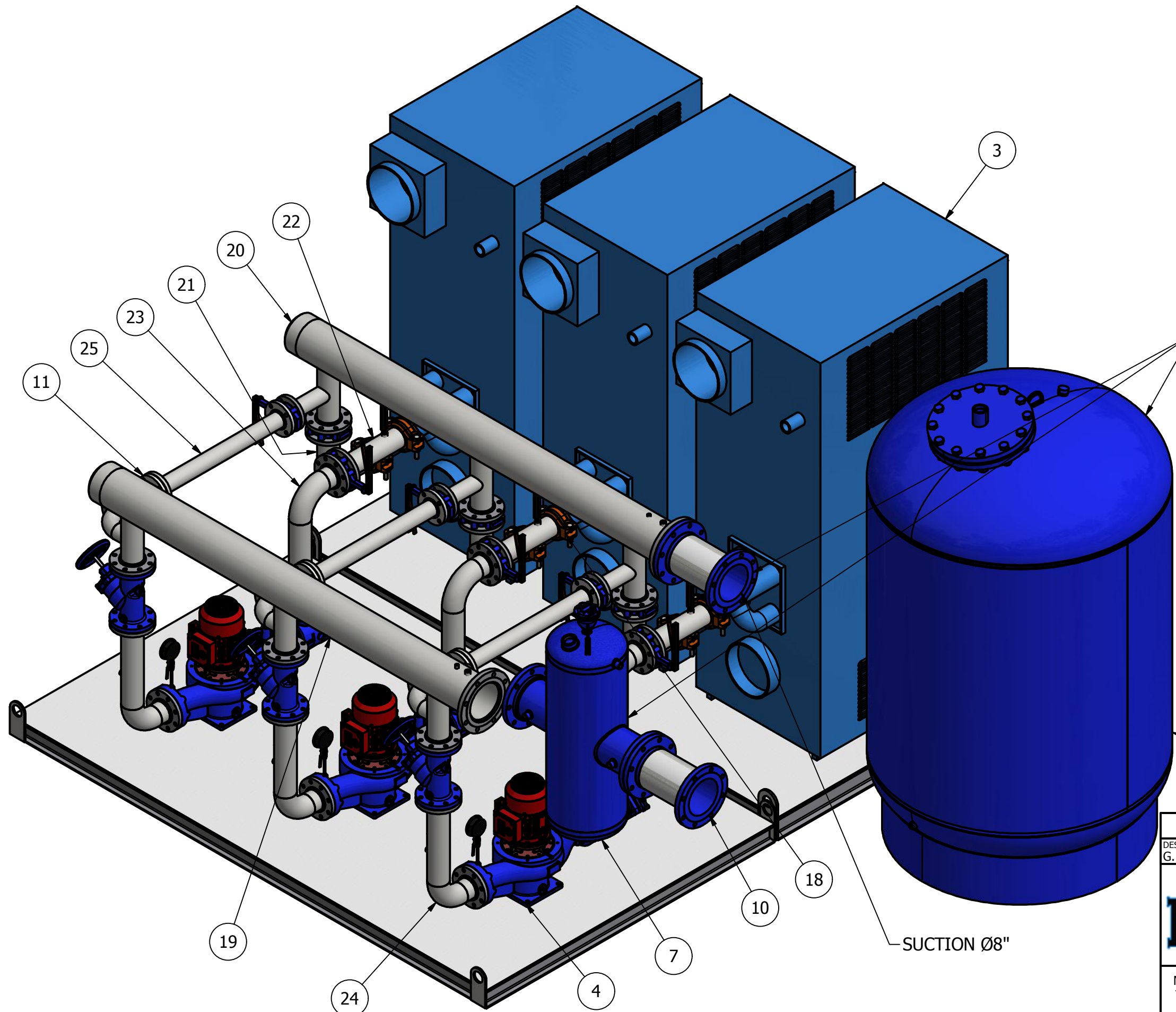
DESIGNER G. BOLDUC	DATE 06/09/2016	TITLE / TITRE TRIPLEX HEAT/COOL 880 PUMP SYSTEM
PROJECT / PROJET		
CUSTOMER / CLIENT		
QUOTE	TAG	
DWG NO.		REV 6
SCALE / ECHELLE 1/22		JOB NO.

MONTREAL, (QC), CANADA
 TORONTO, (ON), CANADA
 LAKE WORTH, (FL), USA
 WWW.FLOFAB.COM

SHEET 1 OF 4



THIS DRAWING MUST BE SENT WITH PURCHASE ORDER			
DESIGNER G. BOLDUC	DATE 06/09/2016	TITLE / TITRE TRIPLEX HEAT/COOL 880 PUMP SYSTEM	
		PROJECT / PROJET	
		CUSTOMER / CLIENT	
MONTREAL, (QC), CANADA TORONTO, (ON), CANADA LAKE WORTH, (FL), USA WWW.FLOFAB.COM		QUOTE	TAG
SCALE / ECHELLE 1/30		DWG NO.	REV 6
JOB NO.		SHEET 2 OF 4	




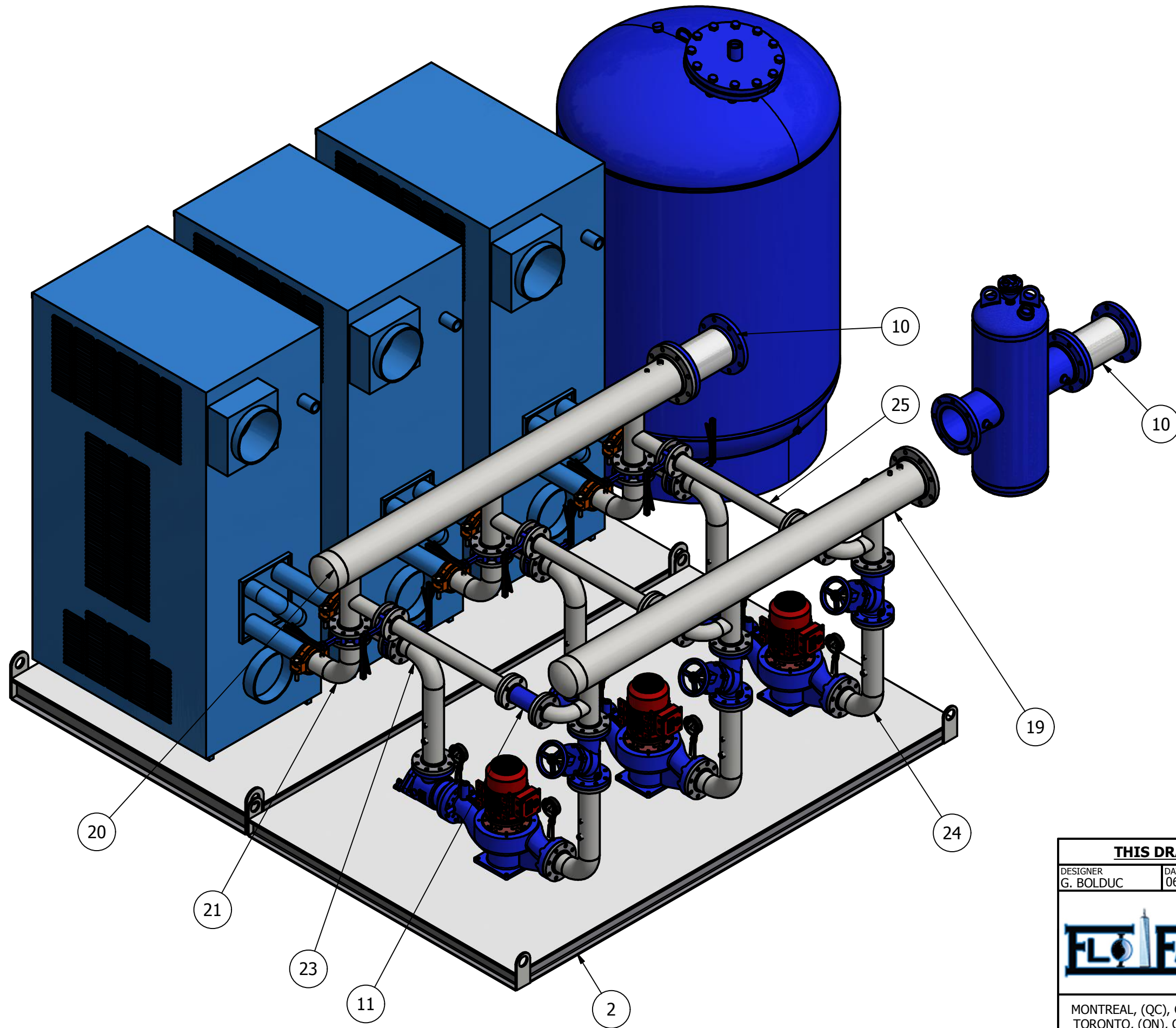
PARTS LIST		
ITEM	QTY	DESCRIPTION
1	1	BOILER SKID
3	3	LAARS BOILER MGH 3500
4	3	P-101-102-103 (880RI-4X4-8)
5	3	MOTOR 3HP/1750RPM/3PH/220/60 182TC
6	1	BT-4000V EXPANSION TANK
7	1	TAG: AS-2 (ADSF-8-F AIR AND DIRT SEPARATOR)
11	3	STAINLESS STEEL FLEXIBLE CONNECTOR 3"
18	6	4" VICTAULIC RIGID COUPLING - STYLE 870
19	1	DISCHARGE HEADER
20	1	SUCTION HEADER
21	3	INLET ELBOW
22	3	INLET SPOOL
23	3	OUTLET ELBOW
24	3	ELBOW
25	3	BYPASS

SHIP LOOSE


SUCTION Ø8"

THIS DRAWING MUST BE SENT WITH PURCHASE ORDER

DESIGNER G. BOLDUC	DATE 06/09/2016	TITLE / TITRE TRIPLEX HEAT/COOL 880 PUMP SYSTEM
		PROJECT / PROJET
MONTREAL, (QC), CANADA TORONTO, (ON), CANADA LAKE WORTH, (FL), USA WWW.FLOFAB.COM		CUSTOMER / CLIENT
QUOTE	TAG	
DWG NO.		REV 6
SCALE / ECHELLE 1/20	JOB NO.	SHEET 3 OF 4



PARTS LIST		
ITEM	ITEM QTY	DESCRIPTION
1	1	BOILER SKID
2	1	PUMP SKID
10	2	STAINLESS STEEL FLEXIBLE CONNECTOR 8"
11	3	STAINLESS STEEL FLEXIBLE CONNECTOR 3"
19	1	DISCHARGE HEADER
20	1	SUCTION HEADER
21	3	INLET ELBOW
22	3	INLET SPOOL
23	3	OUTLET ELBOW
24	3	ELBOW
25	3	BYPASS

THIS DRAWING MUST BE SENT WITH PURCHASE ORDER			
DESIGNER G. BOLDUC	DATE 06/09/2016	TITLE / TITRE TRIPLEX HEAT/COOL 880 PUMP SYSTEM	
		PROJECT / PROJET	
		CUSTOMER / CLIENT	
QUOTE	TAG		
DWG NO.	3	REV	6
SCALE / ECHELLE 1/22	JOB NO.	SHEET 4 OF 4	
MONTREAL, (QC), CANADA TORONTO, (ON), CANADA LAKE WORTH, (FL), USA WWW.FLOFAB.COM			