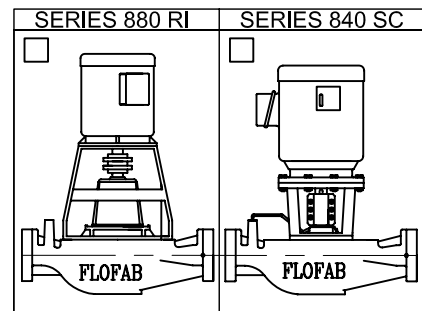
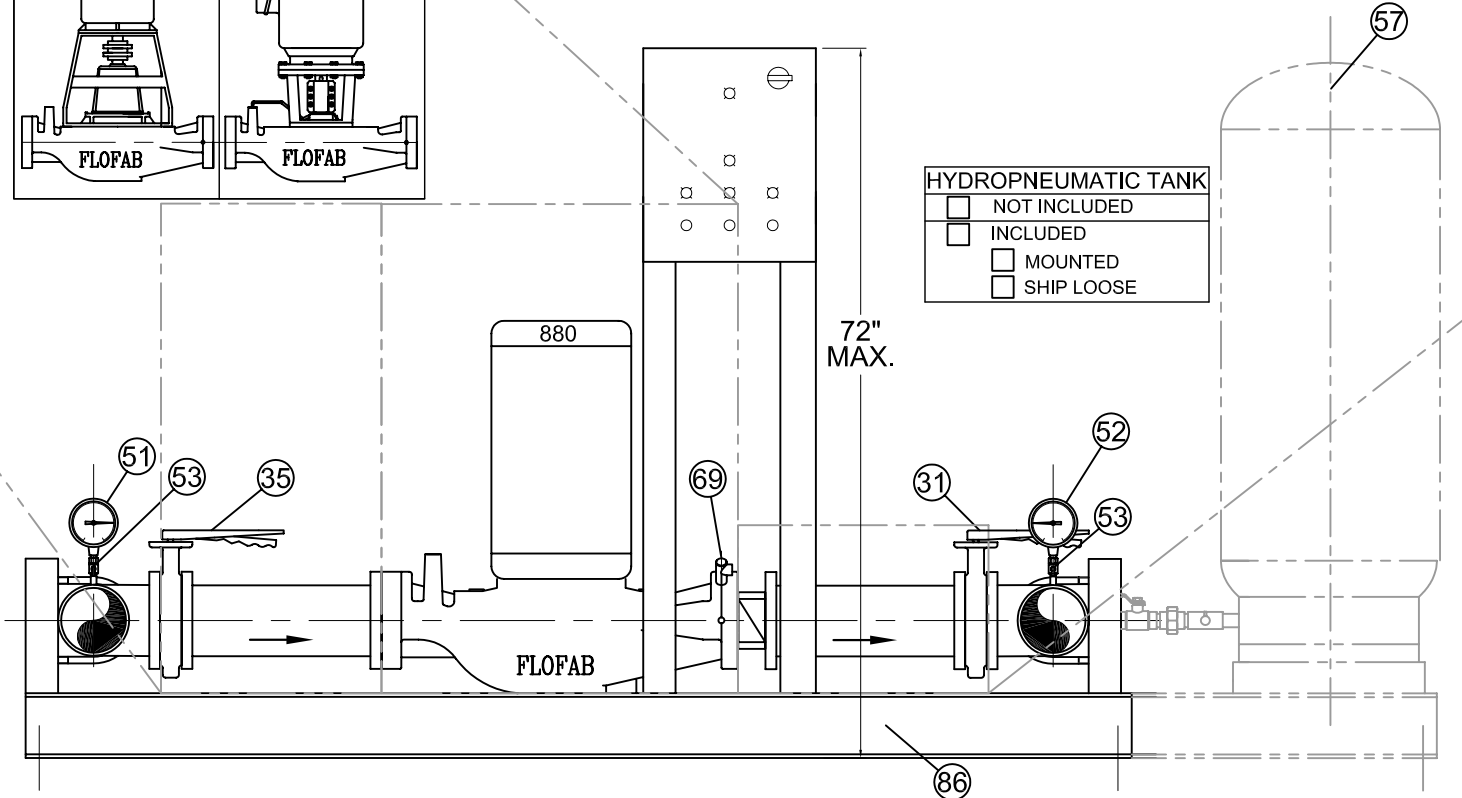
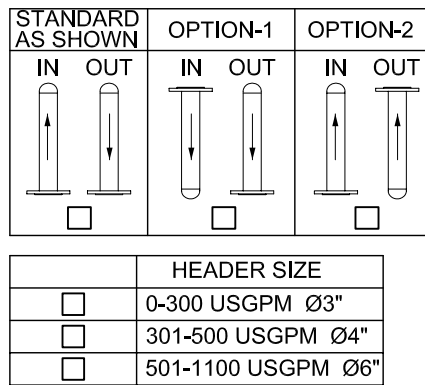
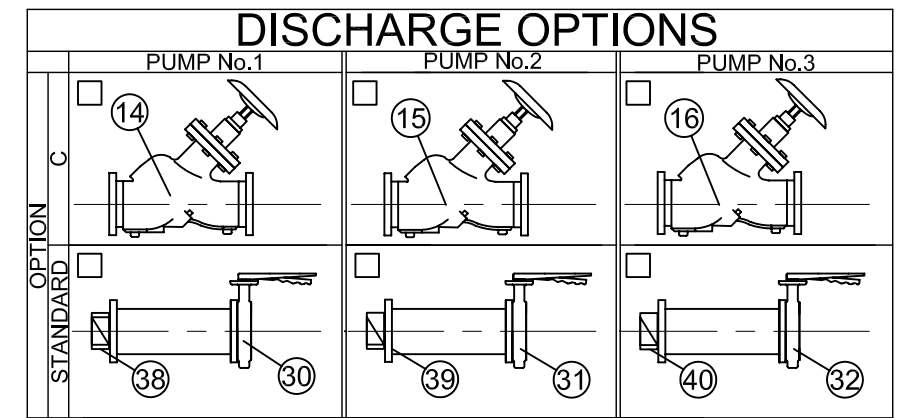


CONTROL PANEL	
ITEM 9	POSITION
<input type="checkbox"/>	0°
<input type="checkbox"/>	90°
<input type="checkbox"/>	180°
<input type="checkbox"/>	270°
<input type="checkbox"/>	WALL MOUNTED



HYDROPNEUMATIC TANK	
<input type="checkbox"/>	NOT INCLUDED
<input type="checkbox"/>	INCLUDED
<input type="checkbox"/>	MOUNTED
<input type="checkbox"/>	SHIP LOOSE




<input type="checkbox"/>	T-HC-_____
<input type="checkbox"/>	T-HC-HT-_____

TITLE / TITRE			
FLO FAB TRIPLEX CONSTANT PRESSURE SYSTEMS SERIES "HC"			
	ENGINEER / INGENIEUR	DATE / DATE	
	CUSTOMER / CLIENT	APRIL 2007	
860 BOULEVARD INDUSTRIEL BOIS-DES-FILION, QC J6Z 4V7, (450) 621-2995	PART LIST N° / LISTE DE MATERIEL N°	DRAWING N° / N° DESSIN	
M.LYMBURNER	N / A	T-HC-880_880 RI_840 SC_SUBMITTAL	REV 0

NO	QTY	DESCRIPTION	SIZE	PART NUMBER
1	1	PUMP 1		
2	1	PUMP 2		
3	1	PUMP 3		
5	1	M1 MOTOR		
6	1	M2 MOTOR		
7	1	M3 MOTOR		
9	1	PANEL CONTROL		
14		NO. 1 TRIPLE DUTY VALVE		
15		NO. 2 TRIPLE DUTY VALVE		
16		NO.3 TRIPLE DUTY VALVE		
18		NO. 1 SUCTION DIFFUSER (WITH STRAINER)		
19		NO. 2 SUCTION DIFFUSER (WITH STRAINER)		
20		NO. 3 SUCTION DIFFUSER (WITH STRAINER)		
22		NO. 1 Y-STRAINER		
23		NO. 2 Y-STRAINER		
24		NO. 3 Y-STRAINER		
30		NO. 1 DISCHARGE BUTTERFLY VALVE		
31		NO. 2 DISCHARGE BUTTERFLY VALVE		
32		NO. 3 DISCHARGE BUTTERFLY VALVE		
34		NO. 1 SUCTION DISCHARGE BUTTERFLY VALVE		
35		NO. 2 SUCTION DISCHARGE BUTTERFLY VALVE		
36		NO. 3 SUCTION DISCHARGE BUTTERFLY VALVE		
38		NO. 1 DISCHARGE CHECK VALVE		
39		NO. 2 DISCHARGE CHECK VALVE		
40		NO. 3 DISCHARGE CHECK VALVE		

TITLE / TITRE FLO FAB - TRIPLEX "HC" SERIES 880_880 RI_840 SC	
MATERIAL LIST	

	PROJECT / PROJET
	CUSTOMER / CLIENT
	DRAWING N° / N° DESSIN: _____ DATE / DATE: MAY 2007
860 BOULEVARD INDUSTRIEL BOIS-DES-FILION, QC J6Z 4V7, (450) 621-2995	
DRAWN BY / DESSINATEUR	SCALE / ECHELLE
M. LYMBURNER	N / A
PART LIST N° / LISTE DE MATERIEL N°	REV
	0

REV	DESCRIPTION	DATE	INIT.

