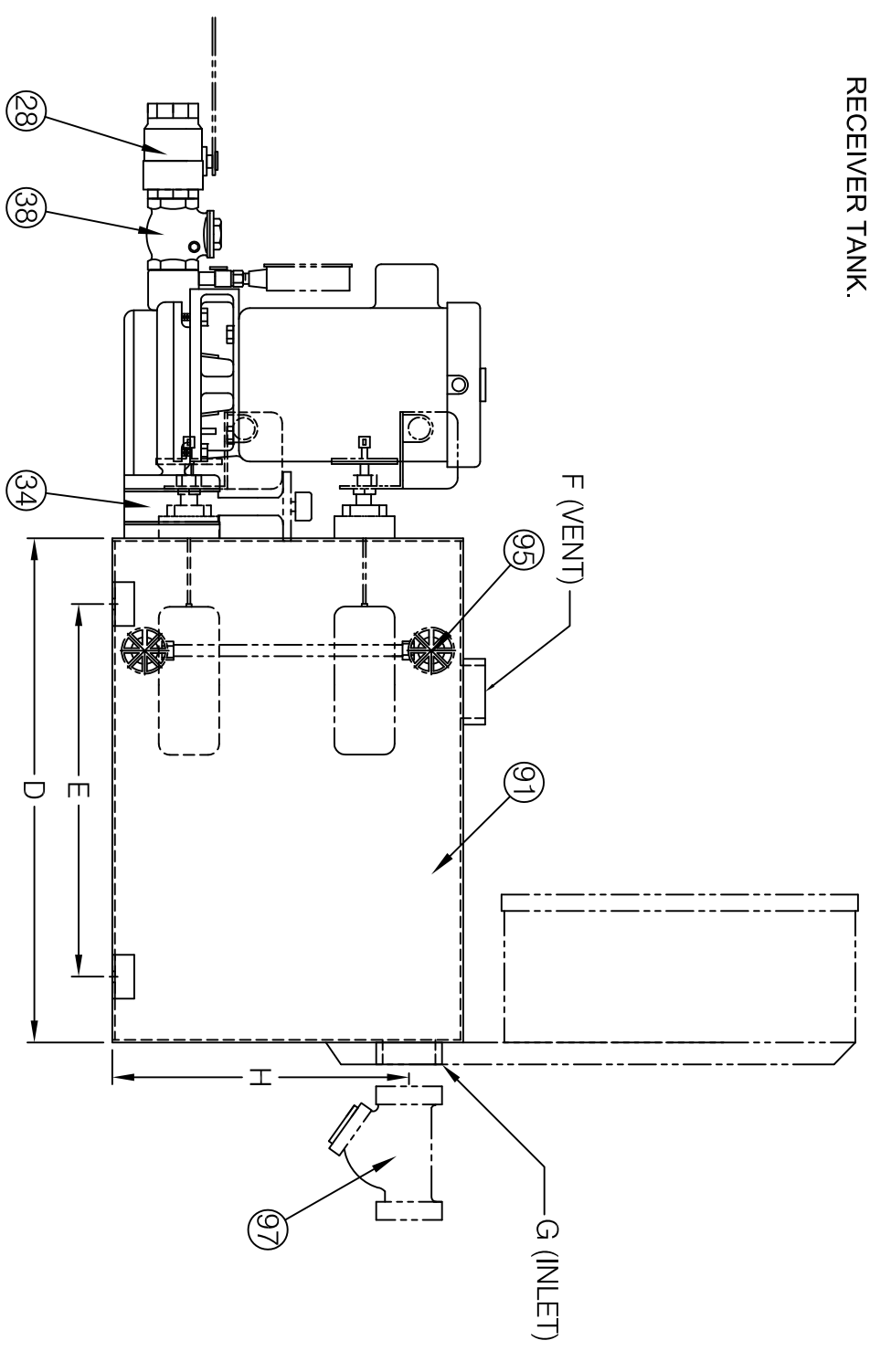
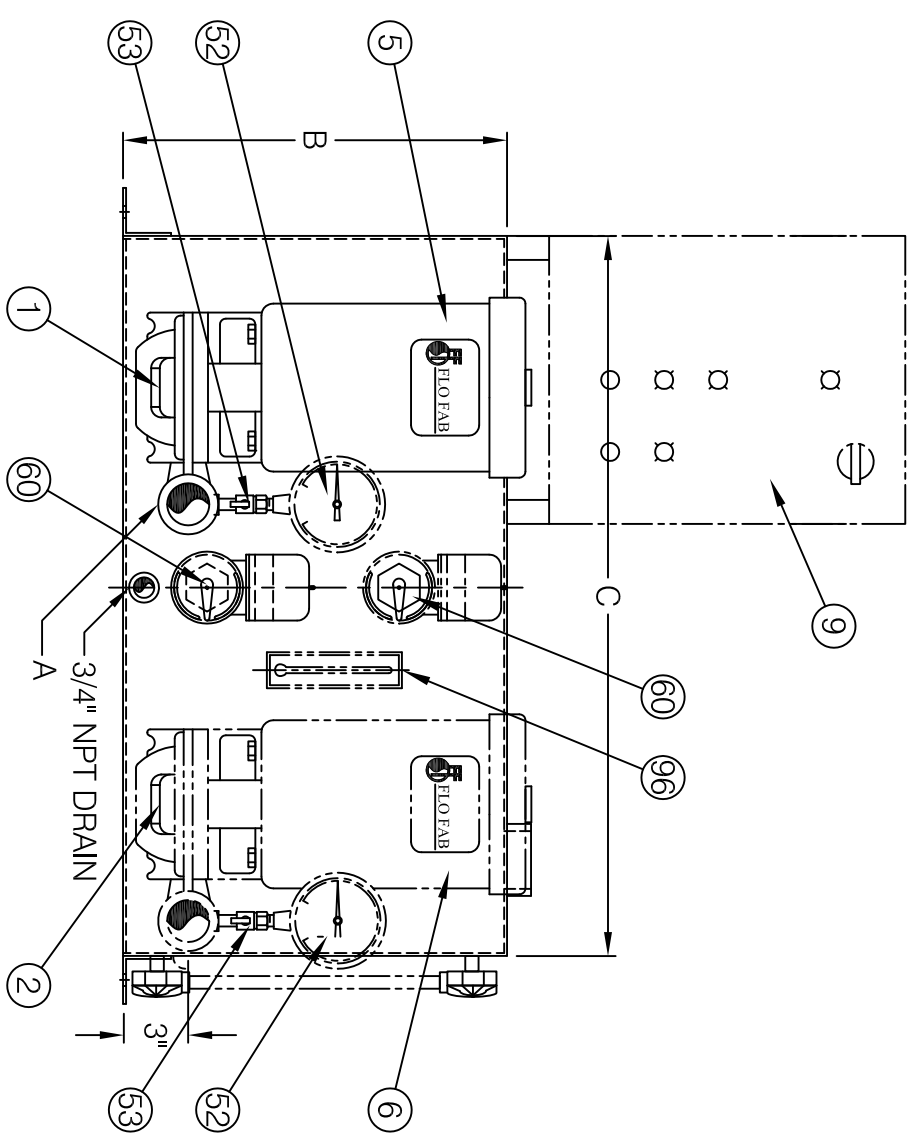


NOTE: PLACEMENT OF PUMPS AND ACCESSORIES MAY VARY DUE TO THE VARIOUS SIZE OF THE RECEIVER TANK.



**OPTIONAL EQUIPMENT**

- CONTROL PANEL (ITEM 9)       MOUNTED     SHIP LOOSE
- INLET STRAINER "Y" (ITEM 97 SHOWN) - SHIP LOOSE
- INLET STRAINER "SIMPLEX BASKET" (ITEM 26) - NOT SHOWN - SHIP LOOSE
- DISCHARGE PRESSURE GAUGE (ITEM 52) - WITH PET COCKS (ITEM 53)
- DISCHARGE CHECK VALVE (ITEM 38)
- DISCHARGE VALVE (ITEM 28)
- GAUGE SIGHT GLASS (ITEM 95)
- THERMOMETER (ITEM 96)
- SUCTION ISOLATION BUTTERFLY VALVE (ITEM 34)

UNIT TYPE	RECEIVER CAPACITY	DISCH A	B	C	D	E	F	G	H
<input type="checkbox"/> S-CVC	15 GALLONS	1-1/4"	16"	23"	13-5/8"	9-5/8"	2"	2"	13"
<input type="checkbox"/> D-CVC	GALLONS	31.8 mm	406.4 mm	584.2 mm	346.1 mm	244.5 mm	50.8 mm	50.8 mm	330.2 mm
<input type="checkbox"/> S-CVC	25 GALLONS	1-1/4"	18-3/4"	34-3/4"	14-3/4"	10-3/4"	2"	3"	15-3/4"
<input type="checkbox"/> D-CVC	GALLONS	31.8 mm	476.3 mm	882.7 mm	374.7 mm	273.1 mm	50.8 mm	76.2 mm	400.1 mm
<input type="checkbox"/> S-CVC	35 GALLONS	1-1/4"	18-3/4"	34-3/4"	19-3/4"	15-3/4"	2"	3"	15-3/4"
<input type="checkbox"/> D-CVC	GALLONS	31.8 mm	476.3 mm	882.7 mm	501.7 mm	400.1 mm	50.8 mm	76.2 mm	400.1 mm
<input type="checkbox"/> S-CVC	45 GALLONS	1-1/4"	18-3/4"	38-3/4"	21-3/4"	17-3/4"	2"	3"	15-3/4"
<input type="checkbox"/> D-CVC	GALLONS	31.8 mm	476.3 mm	984.3 mm	552.5 mm	450.1 mm	50.8 mm	76.2 mm	400.1 mm
<input type="checkbox"/> S-CVC	70 GALLONS	1-1/4"	18-3/4"	47-3/4"	25-3/4"	21-3/4"	2"	3"	15-3/4"
<input type="checkbox"/> D-CVC	GALLONS	31.8 mm	476.3 mm	1213.0 mm	654.1 mm	552.5 mm	50.8 mm	76.2 mm	400.1 mm
<input type="checkbox"/> S-CVC	120 GALLONS	1-1/4"	20-3/4"	47-3/4"	37-3/4"	32-3/4"	2"	4"	17-3/4"
<input type="checkbox"/> D-CVC	GALLONS	31.8 mm	527.1 mm	1213.0 mm	958.9 mm	831.9 mm	50.8 mm	101.6 mm	450.9 mm

DIMENSIONS NOT TO BE USED FOR CONSTRUCTION UNLESS PRINTS IS CERTIFIED BY FACTORY

<input type="checkbox"/> S-CVC	<input type="checkbox"/> D-CVC
--------------------------------	--------------------------------

		<b>FLO FAB</b> <b>AQUA PROFAB</b>	
860 BOULEVARD INDUSTRIEL BOISDES-FILION, QC J8Z 4V7 (450) 621-2996		PROJECT/PROJET <b>FLO FAB</b> SIMPLE (OR DUPLEX) CONDENSATE	
PART LIST N° / LISTE DE MATIEREL N°		DATE / DATE <b>MAY 2007</b>	
DRAWING N° / N° DESSIN <b>CVC-SUBMITTAL</b>		SCALE / ECHELLE <b>N / A</b>	
DRAWN BY / DESSINATEUR <b>M. LYMBURNER</b>		REV <b>0</b>	

