
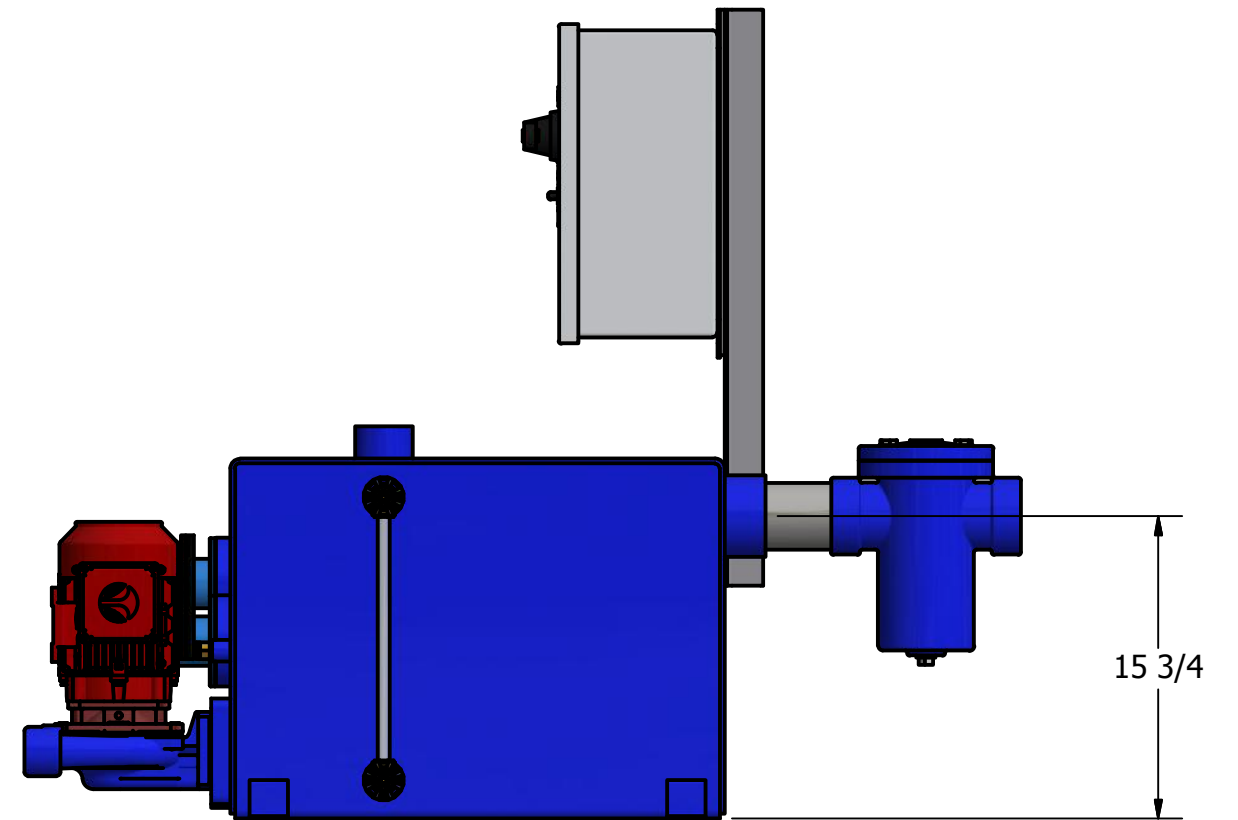
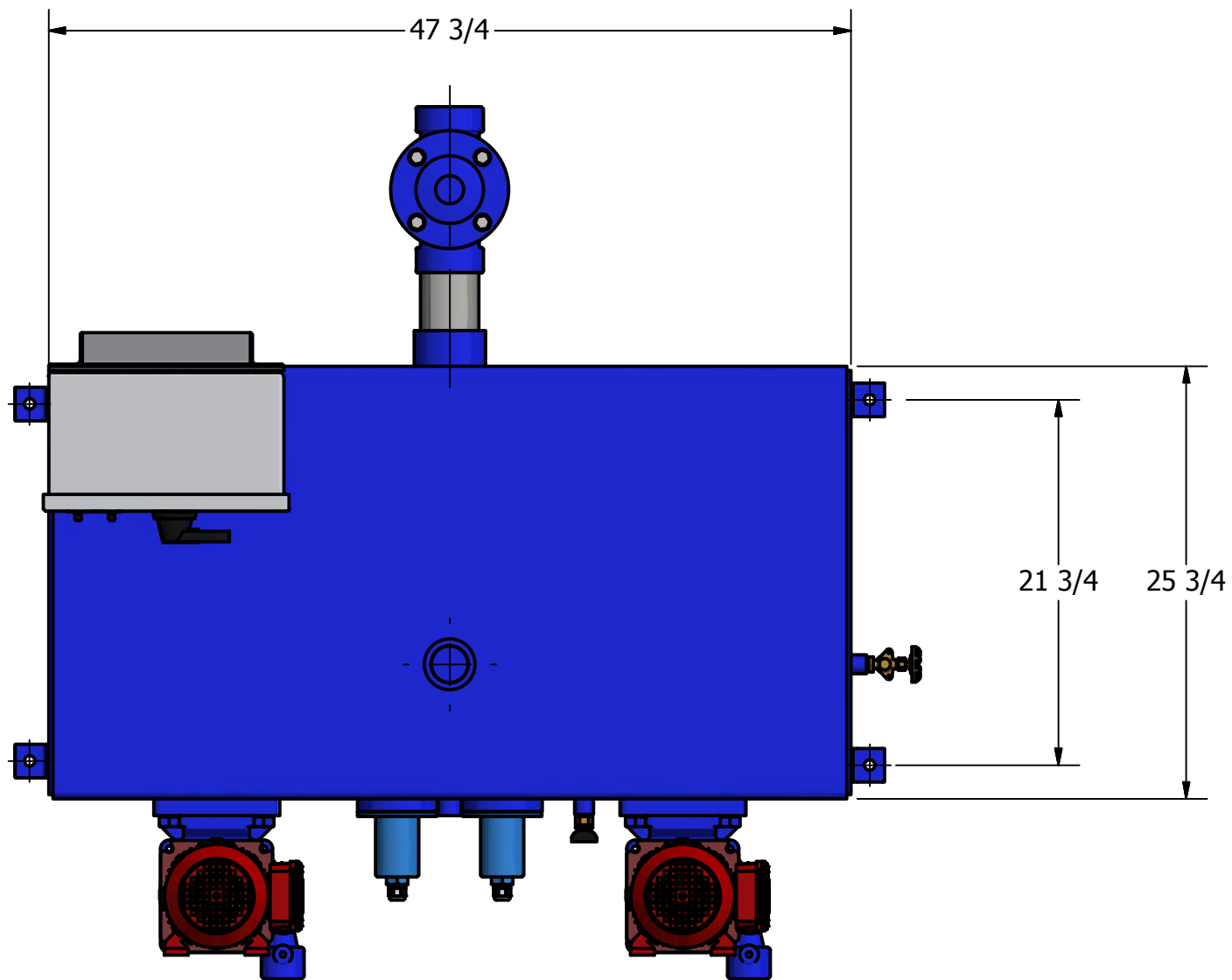
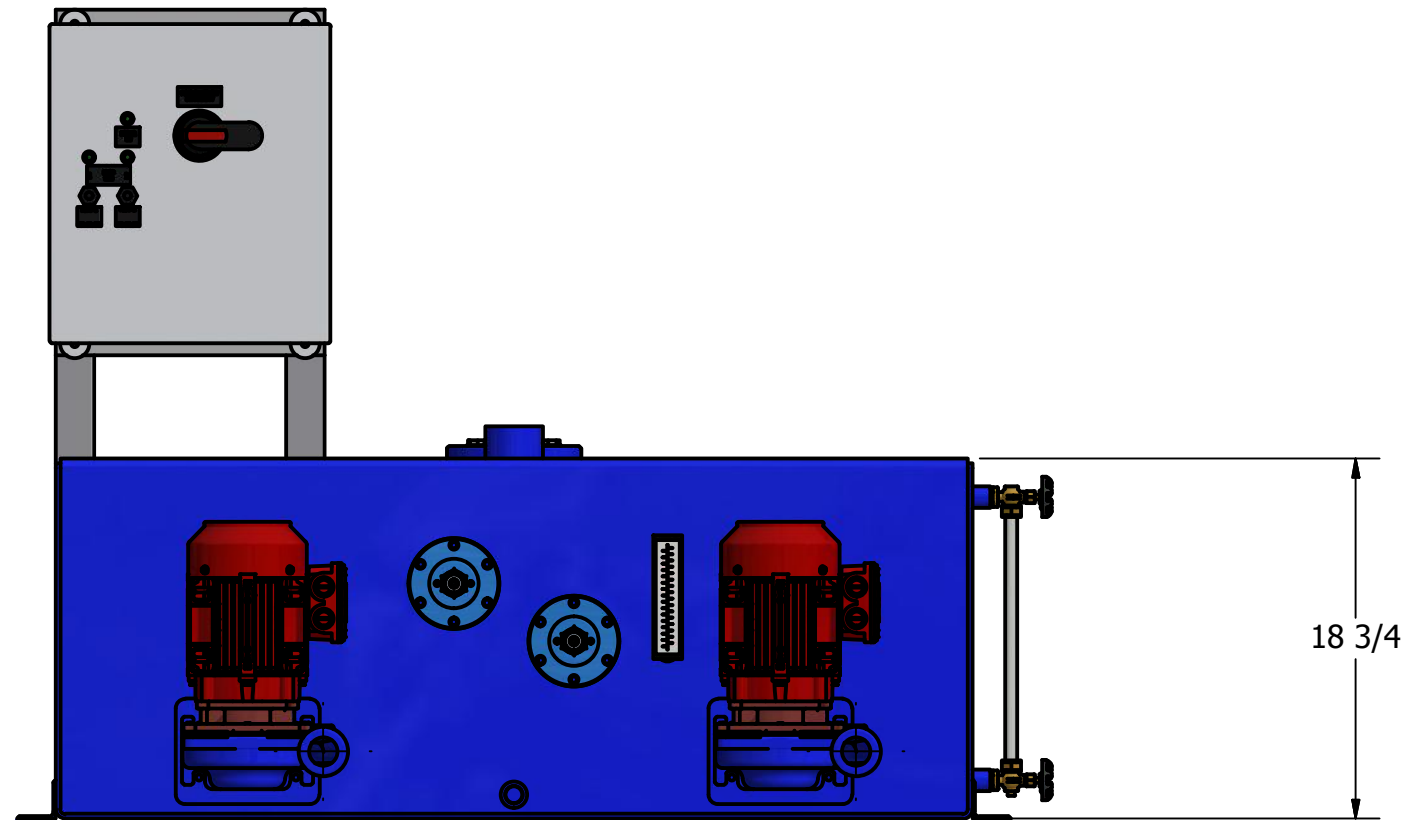



| PARTS LIST | | |
|------------|-----|-------------------------|
| ITEM | QTY | DESCRIPTION |
| 1 | 1 | CONDENSATE TANK 70 GAL. |
| 2 | 2 | PUMP GV6 |
| 3 | 2 | MOTOR |
| 4 | 1 | CONTROL PANEL |
| 5 | 2 | MAGNETIC FLOAT SWITCH |
| 6 | 1 | GLASS WATER LEVEL GAUGE |
| 7 | 1 | THERMOMETER |
| 8 | 1 | STRAINER |

THIS DRAWING MUST BE SENT WITH PURCHASE ORDER

| | | | |
|--|--------------------|--|--------------|
| DESIGNER G. BOLDUC | DATE 06/09/2016 | TITLE / TITRE DUPLIX CONDENSATE SYSTEM 70 GAL. TANK | |
|  | | PROJECT / PROJET | |
| | | CUSTOMER / CLIENT | |
| MONTREAL, (QC), CANADA TORONTO, (ON), CANADA LAKE WORTH, (FL), USA WWW.FLOFAB.COM | | QUOTE | TAG |
| SCALE / ECHELLE 1/7 | | DWG NO. DUPLIX CONDENSATE SYSTEM 70 GAL. TANK | REV 1 |
| | | JOB NO. | SHEET 1 OF 2 |



| THIS DRAWING MUST BE SENT WITH PURCHASE ORDER | | | |
|--|--------------------|--|--------------|
| DESIGNER G. BOLDUC | DATE 06/09/2016 | TITLE / TITRE DUPLEX CONDENSATE SYSTEM 70 GAL. TANK | |
|  | | PROJECT / PROJET | |
| | | CUSTOMER / CLIENT | |
| MONTREAL, (QC), CANADA TORONTO, (ON), CANADA LAKE WORTH, (FL), USA WWW.FLOFAB.COM | | QUOTE | TAG |
| SCALE / ECHELLE 1/10 | | DWG NO. DUPLEX CONDENSATE SYSTEM 70 GAL. TANK | REV 1 |
| | | JOB NO. | SHEET 2 OF 2 |