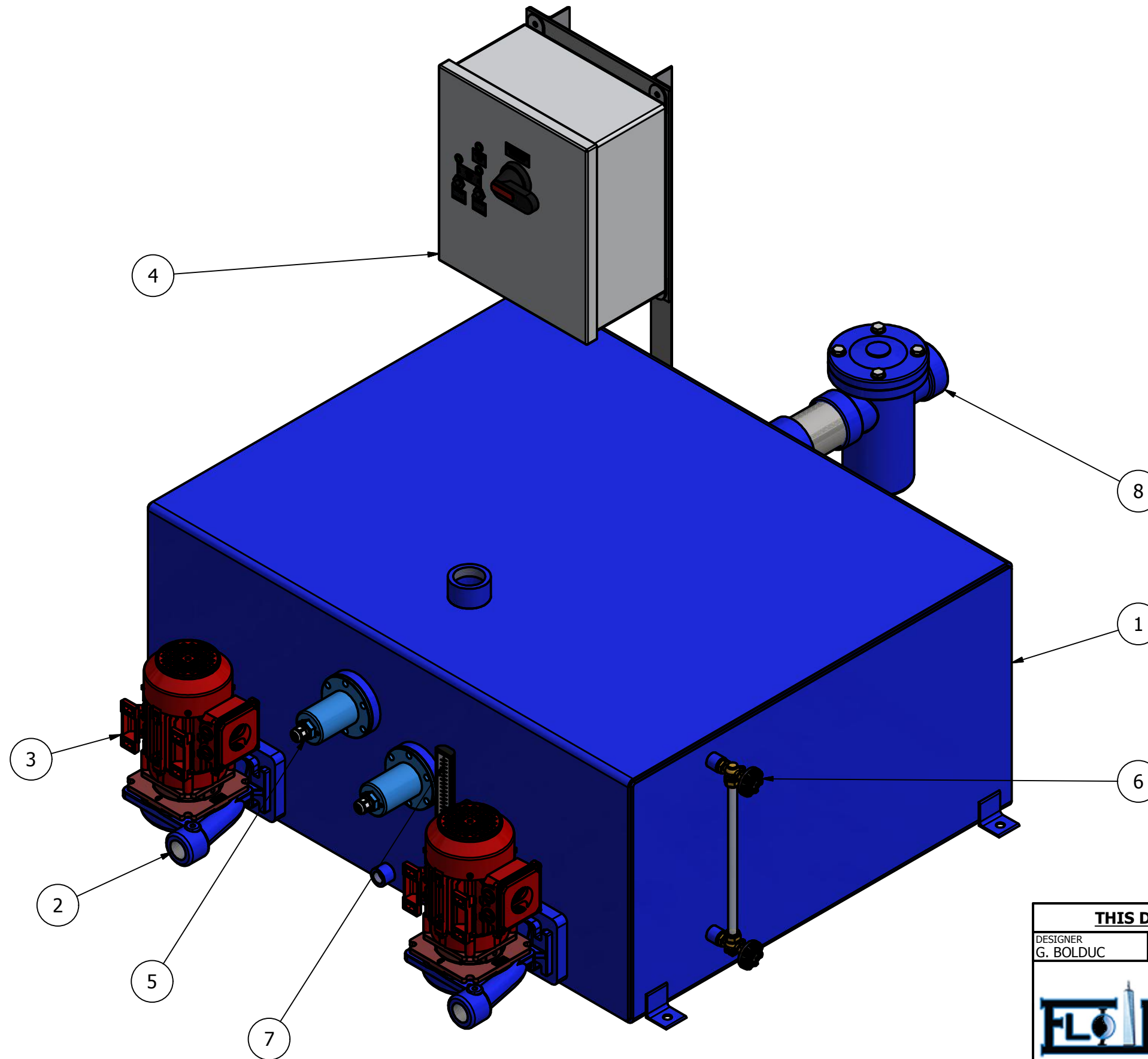

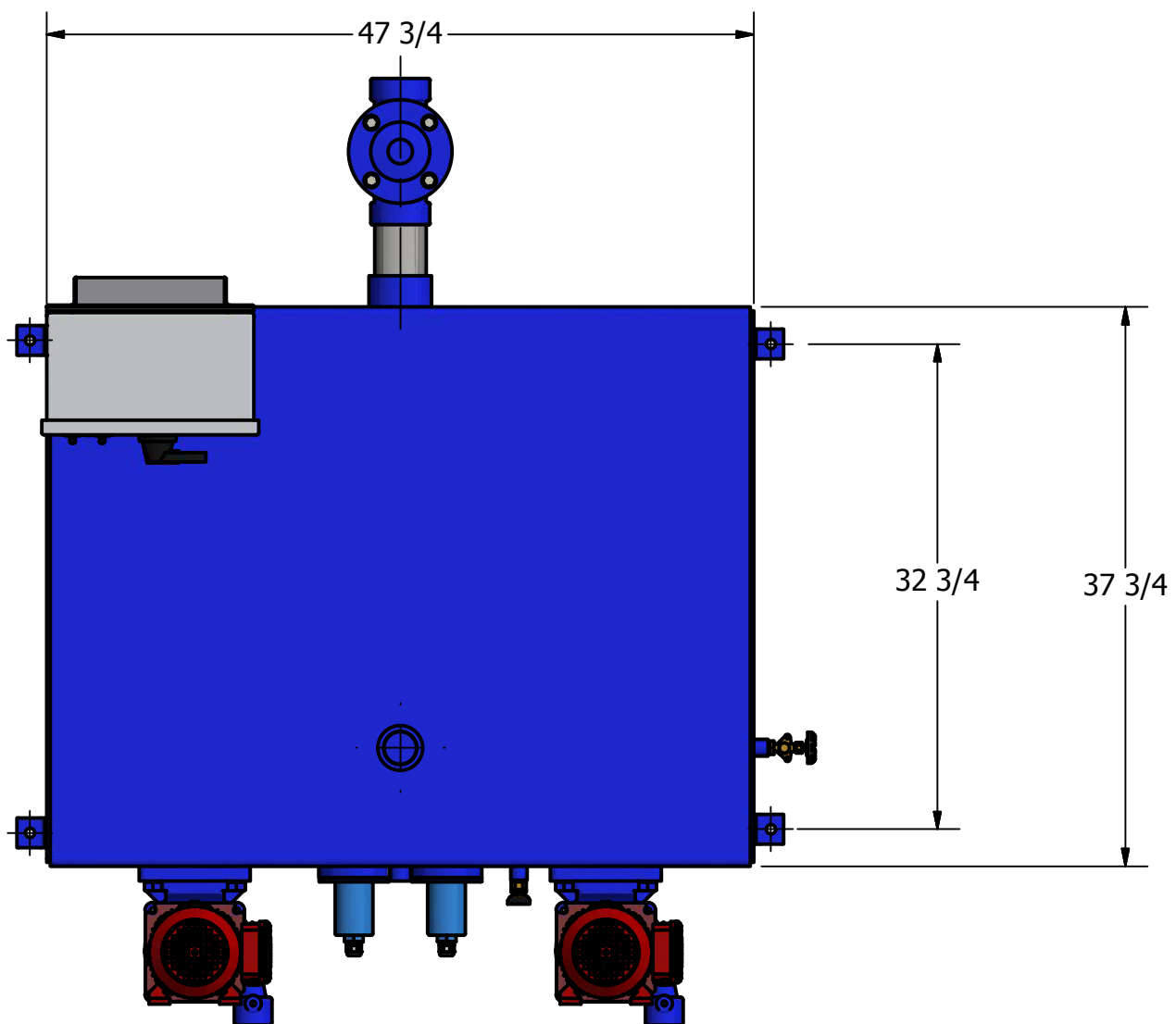
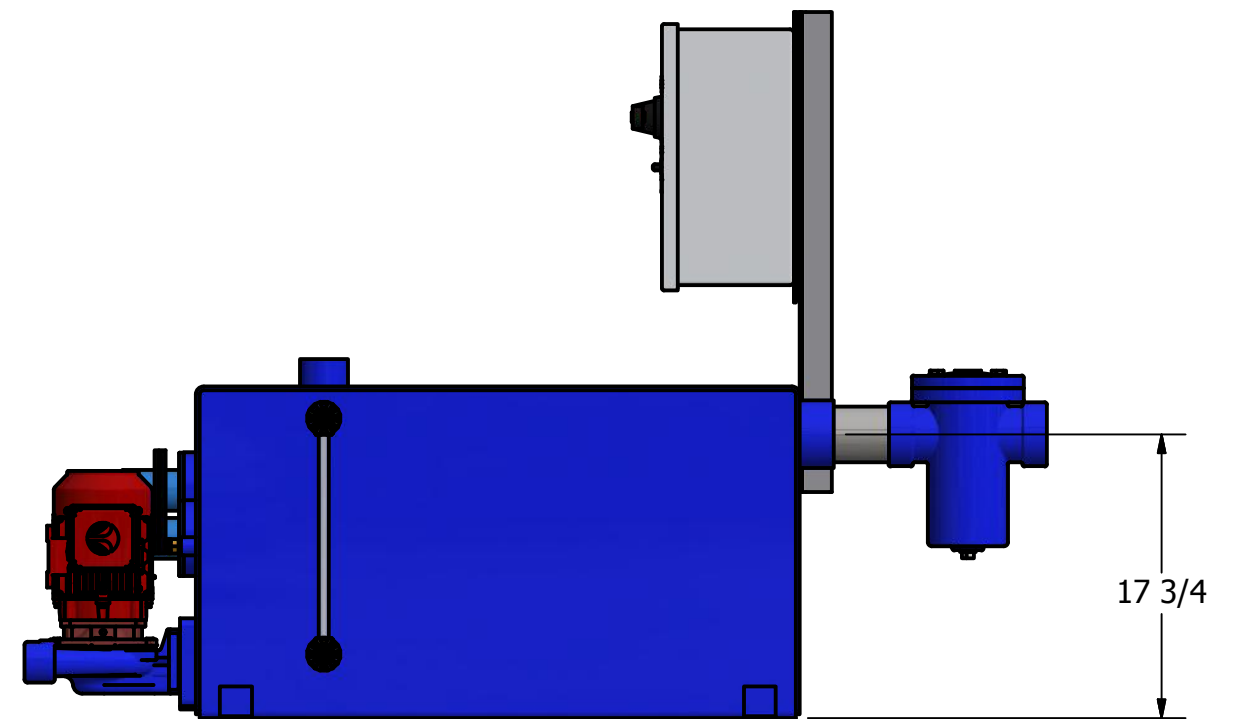
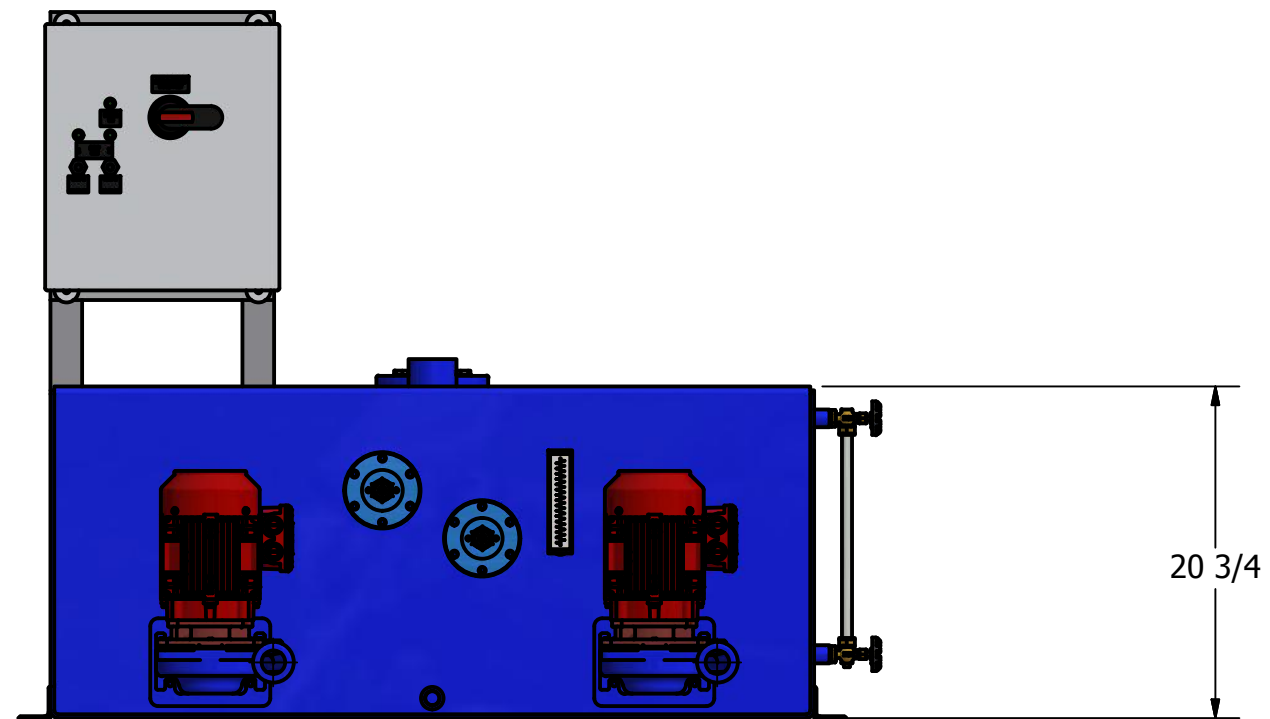



PARTS LIST		
ITEM	QTY	DESCRIPTION
1	1	CONDENSATE TANK 120 GAL.
2	2	PUMP GV6
3	2	MOTOR
4	1	CONTROL PANEL
5	2	MAGNETIC FLOAT SWITCH
6	1	GLASS WATER LEVEL GAUGE
7	1	THERMOMETER
8	1	STRAINER



THIS DRAWING MUST BE SENT WITH PURCHASE ORDER			
DESIGNER G. BOLDUC	DATE 06/09/2016	TITLE / TITRE DUPLEX CONDENSATE SYSTEM 120 GAL. TANK	
		PROJECT / PROJET	
		CUSTOMER / CLIENT	
MONTREAL, (QC), CANADA TORONTO, (ON), CANADA LAKE WORTH, (FL), USA WWW.FLOFAB.COM		QUOTE	TAG
SCALE / ECHELLE 1/8		DWG NO. DUPLEX CONDENSATE SYSTEM 120 GAL. TANK	REV 1
		JOB NO.	SHEET 1 OF 2



THIS DRAWING MUST BE SENT WITH PURCHASE ORDER			
DESIGNER G. BOLDUC	DATE 06/09/2016	TITLE / TITRE DUPLEX CONDENSATE SYSTEM 120 GAL. TANK	
		PROJECT / PROJET	
		CUSTOMER / CLIENT	
MONTREAL, (QC), CANADA TORONTO, (ON), CANADA LAKE WORTH, (FL), USA WWW.FLOFAB.COM		QUOTE	TAG
SCALE / ECHELLE 1/12		DWG NO. DUPLEX CONDENSATE SYSTEM 120 GAL. TANK	REV 1
		JOB NO.	SHEET 2 OF 2