

PARTS LIST		
ITEM	QTY	DESCRIPTION
1	1	SKID
2	1	BOILER DYNA FORCE 1400
6	1	WAFFER CHECK VALVES 3"
8	2	BUTTERFLY VALVE 3"
11	1	P1
13	1	Y-STRAINER 3" #150
17	1	LOW WATER CUT-OFF
18	2	THERMOMETER 5"
19	3	BALL VALVE 1/4"
20	2	PRESSURE GAUGE - 0-200PSI
21	3	STAINLESS STEEL FLEXIBLE CONNECTOR 4"
22	1	PRESSURE GAUGE - 0-60PSI
25	1	FLOW SWITCH
26	1	PRESSURE RELIEF VALVE
28	2	2.50" VICTAULIC RIGID COUPLING
31	1	NEUTRALIZER
34	4	SPRING SYSTEM


DRAWING %	
FABRICATION	
100%	
90%	
75%	X
50%	
PRELIMINARY	

NOTE:

- PIPING MATERIAL, STEEL SCHEDULE 40

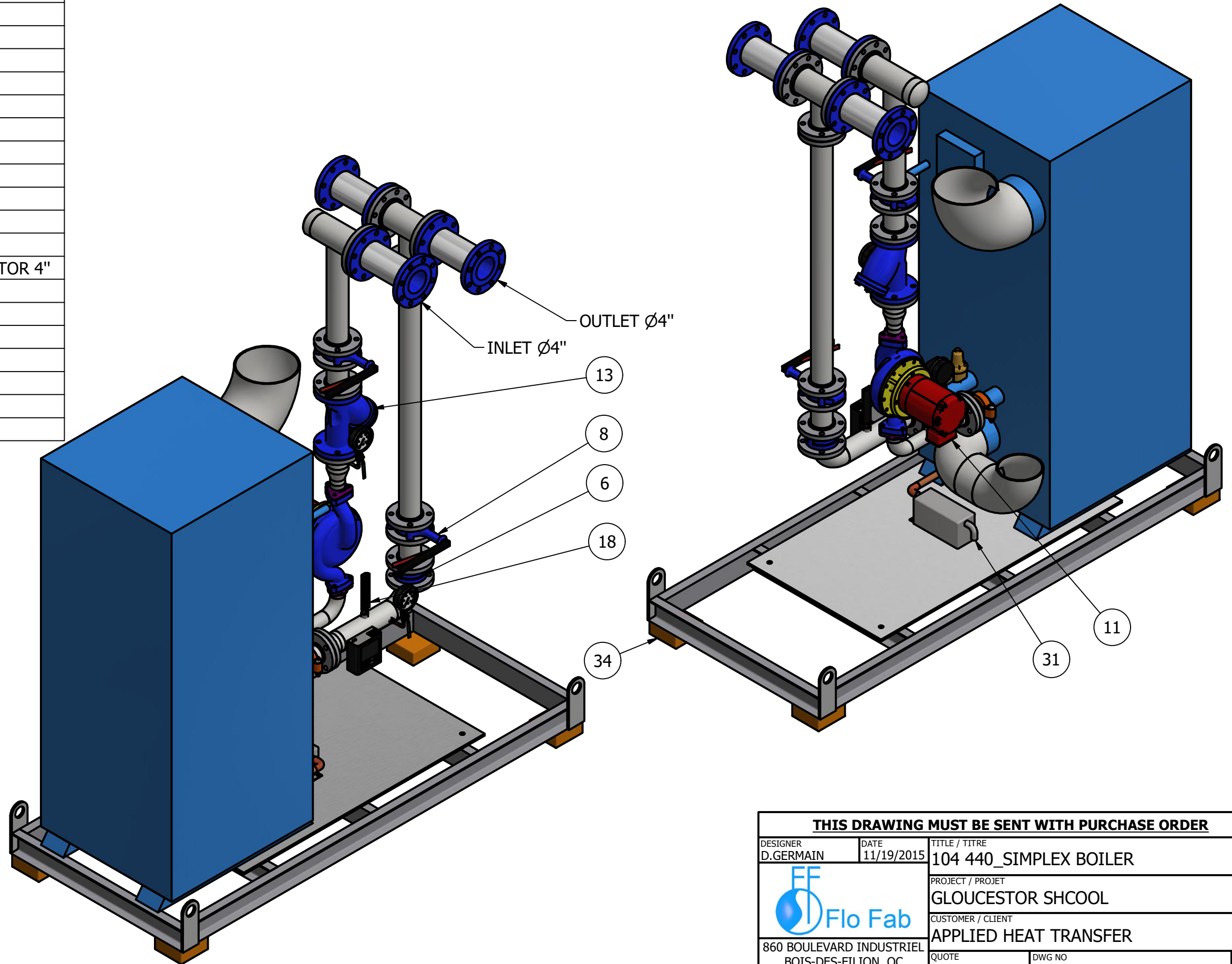
REVISION HISTORY		
REV	DESCRIPTION	DATE
1	PRELIMINARY DRAWING	10/08/2015
2	ADDING NEUTRALIZER	10/09/2015
3	CHANGING PIPING HEIGHT	10/27/2015
4	CHANGING PIPE ORIENTATION	10/28/2015
5	ADD EXTRA PIPE & CAP ON SUCTION HEADER	11/19/2015


THIS DRAWING MUST BE SENT WITH PURCHASE ORDER

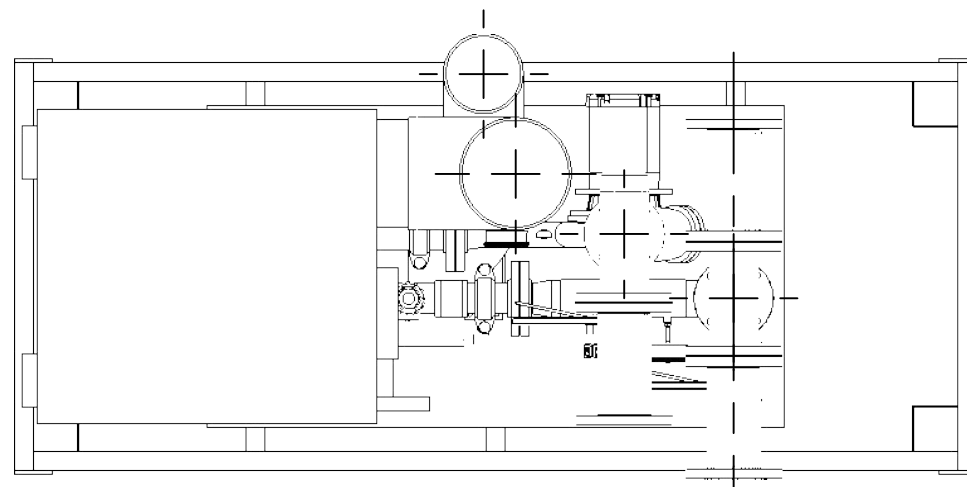
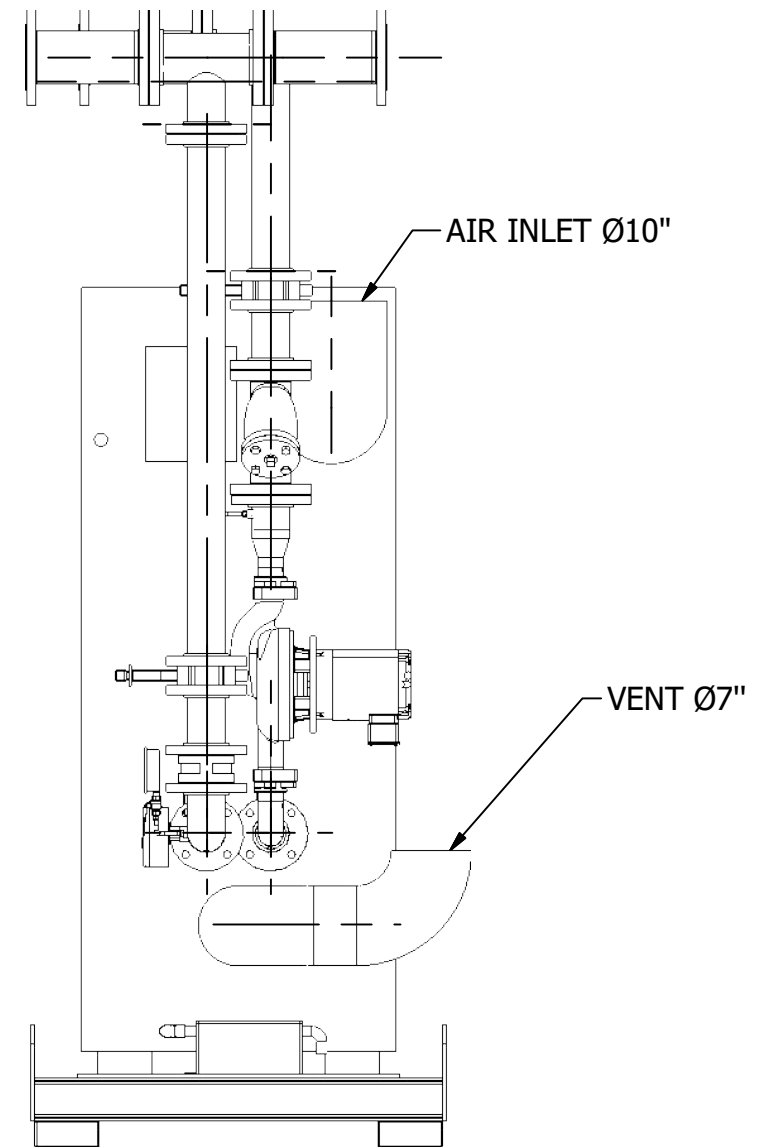
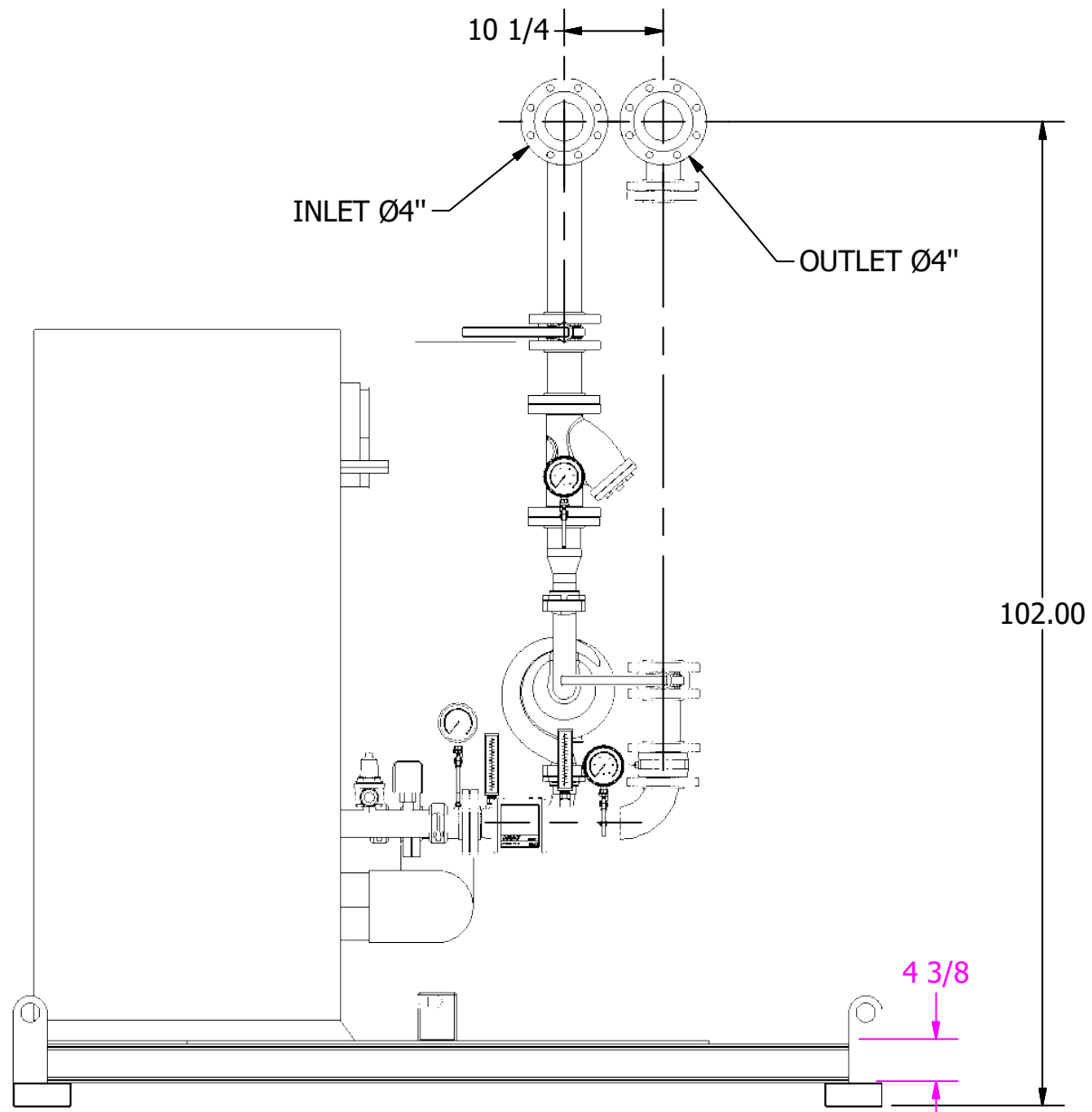
DESIGNER D.GERMAIN	DATE 11/19/2015	TITLE / TITRE 104 440_SIMPLEX BOILER
		PROJECT / PROJET GLOUCESTOR SCHOOL
860 BOULEVARD INDUSTRIEL BOIS-DES-FILION, QC J6Z 4V7 (CANADA) (450) 621-2995 WWW.FLOFAB.COM		CUSTOMER / CLIENT APPLIED HEAT TRANSFER
QUOTE 104 440	DWG NO 104 440_SIMPLEX BOILER	REV 5
SCALE / ECHELLE 1:12	TAG S-BOILER	SHEET 1 OF 3


PARTS LIST

ITEM	QTY	DESCRIPTION
1	1	SKID
2	1	BOILER DYNA FORCE 1400
6	1	WAFER CHECK VALVES 3"
8	2	BUTTERFLY VALVE 3"
11	1	P1
13	1	Y-STRAINER 3" #150
17	1	LOW WATER CUT-OFF
18	2	THERMOMETER 5"
19	3	BALL VALVE 1/4"
20	2	PRESSURE GAUGE - 0-200PSI
21	3	STAINLESS STEEL FLEXIBLE CONNECTOR 4"
22	1	PRESSURE GAUGE - 0-60PSI
25	1	FLOW SWITCH
26	1	PRESSURE RELIEF VALVE
28	2	2.50" VICTAULIC RIGID COUPLING
31	1	NEUTRALIZER
34	4	SPRING SYSTEM
37	1	EXTRA PIPE



THIS DRAWING MUST BE SENT WITH PURCHASE ORDER			
DESIGNER D.GERMAIN	DATE 11/19/2015	TITLE / TITRE 104 440_SIMPLEX BOILER	
 860 BOULEVARD INDUSTRIEL BOIS-DES-FILION, QC J6Z 4V7 (CANADA) (450) 621-2995 WWW.FLOFAB.COM		PROJECT / PROJET GLOUCESTOR SHCOOL	
		CUSTOMER / CLIENT APPLIED HEAT TRANSFER	
QUOTE 104 440	DWG NO 104 440_SIMPLEX BOILER	REV 5	
SCALE / ECHELLE 1:16	TAG S_BOILER	SHEET 2 OF 3	



THIS DRAWING MUST BE SENT WITH PURCHASE ORDER				
DESIGNER D.GERMAIN	DATE 11/19/2015	TITLE / TITRE 104 440_SIMPLEX BOILER		
		PROJECT / PROJET GLOUCESTOR SHCOOL		
		CUSTOMER / CLIENT APPLIED HEAT TRANSFER		
860 BOULEVARD INDUSTRIEL BOIS-DES-FILION, QC J6Z 4V7 (CANADA) (450) 621-2995 WWW.FLOFAB.COM		QUOTE 104 440	DWG NO 104 440_SIMPLEX BOILER	REV 5
		SCALE / ECHELLE 1:18	TAG S-BOILER	SHEET 3 OF 3