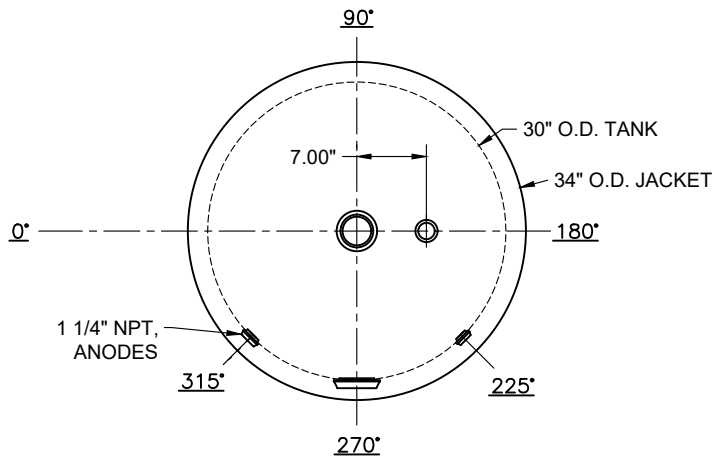


CUSTOMER:

FLO FAB

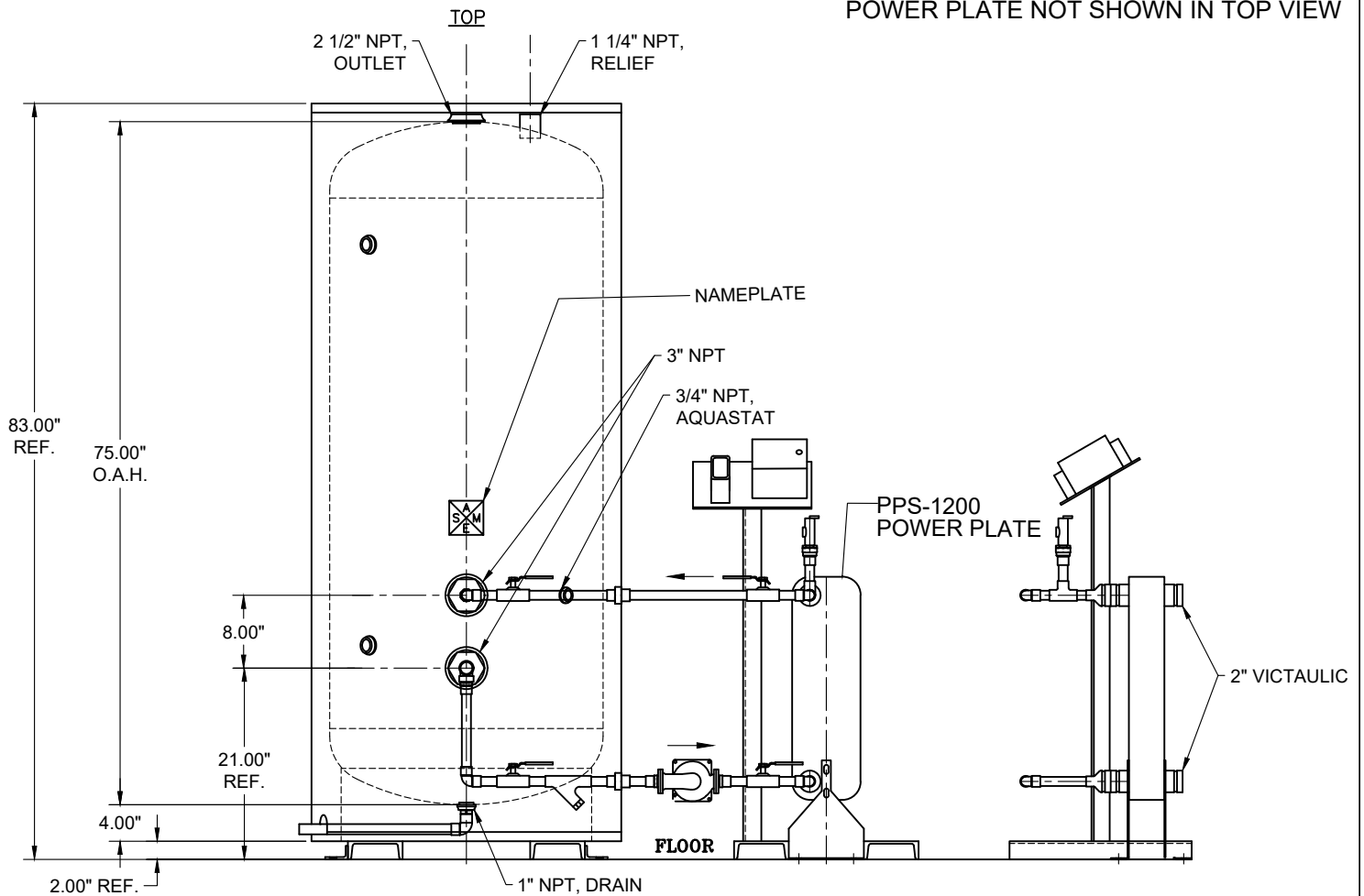


**STORAGE TANK CONSTRUCTION:**

MATERIAL - CARBON STEEL  
 INTERIOR LINING - DOUBLE ULTONIUM  
 EXTERIOR - INSULATED & STEEL JACKET  
 SACRIFICIAL ANODES - MAGNESIUM  
 M.A.W.P. - 150 PSI  
 MAX. OPERATING TEMP. - 180°F

**NOTES:**

POWER PLATE NOT SHOWN IN TOP VIEW



HOT WATER STORAGE TANK W/ PPS-1200  
 MODEL# JS-30-075-5-DG-SPL  
 30" DIA., 210 GALLON  
 ASME IV-HLW, 150 PSI

QUOTE NUMBER: 19783	DRAWN BY: DB 8/11/21	APPROVED BY:
DWG. NUMBER JS-30-075-5-DG-SPL	SCALE NONE	REV. A

