



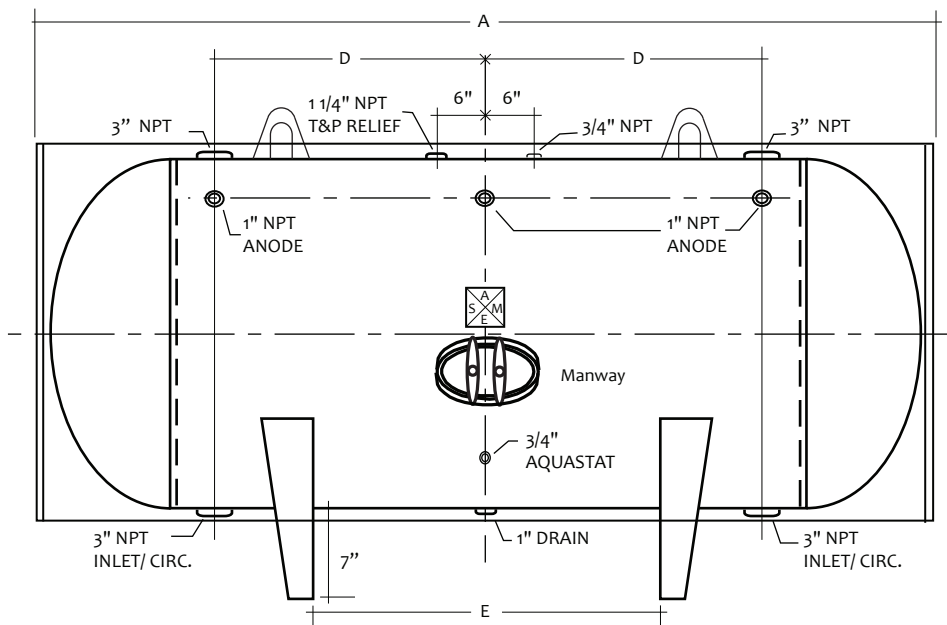
MODEL # RWUH-42-081

Design Notes

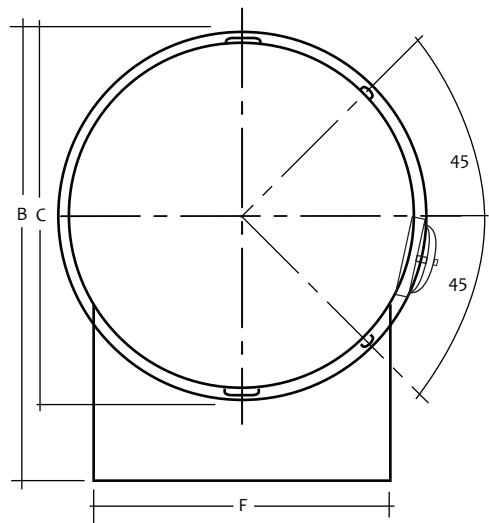
Code..... ASME Sec IV HLW
 Design Pressure..... 125 psi
 Test Pressure.....125 psi
 Interior.....Glass Lining
 Exterior.....Baked Enamel Steel Jacket
 Insulation..... 2" R-12 Open cell foam
 Supports..... Saddles
 Capacity.....435 Gal. / 486 nominal
 Weight..... 1110 Lbs.

Material Specifications

Heads..... Carbon Steel
 Shell..... Carbon Steel
 Jacket..... 24 Gauge Steel
 Couplings..... Carbon Steel
 Flanges..... N/A
 Pipe..... N/A
 Manway..... Carbon Steel



HORIZONTAL STORAGE TANK



| Mark | Dimension | Remark |
|------|-----------|----------------|
| A | 85" | Overall length |
| B | 53" | Overall height |
| C | 46" | Diameter |
| D | 24" | Circulation |
| E | 24" | Supports |
| F | 36.75" | Support width |

| NOTES |
|--------------------|
| PROJECT |
| CUSTOMER |
| SCALE Not to Scale |
| DATE |
| CUSTOMER P.O. # |
| DRAWING Rev NO. |