



MODEL # RWUV-60-096

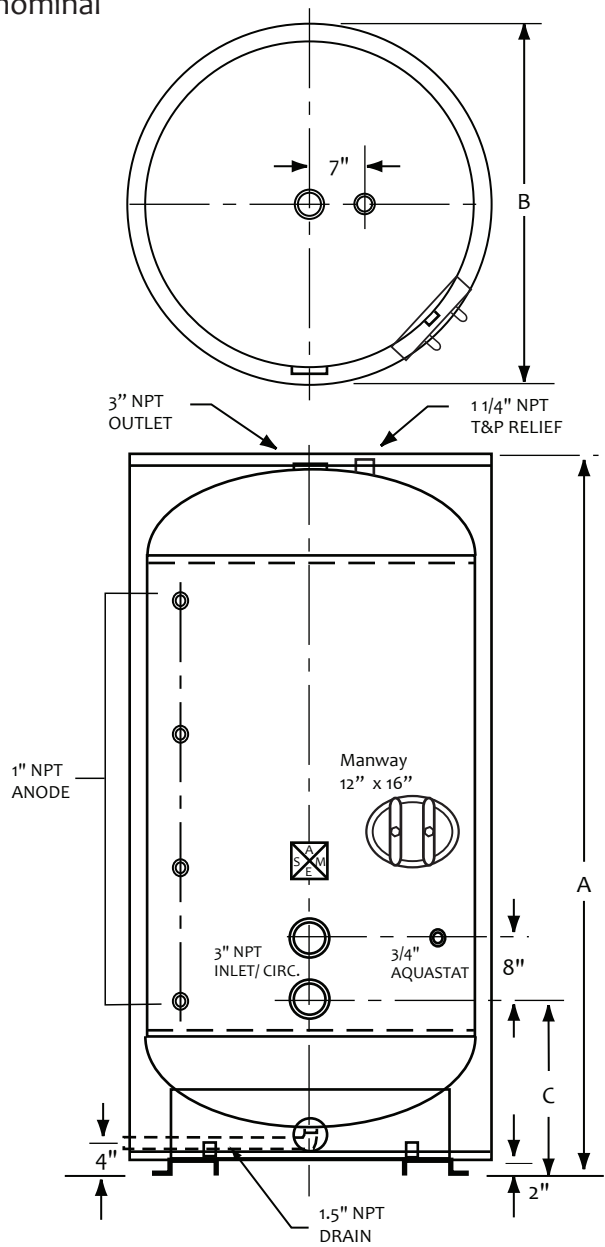
Design Notes

Code..... ASME Sec IV HLW
 Design Pressure..... 125 psi
 Test Pressure.....125 psi
 Interior.....Glass Lining
 Exterior..... Baked Enamel Steel Jacket
 Insulation..... 2" R-12.5 Open Cell Foam
 Supports..... 2" Rails
 Capacity.....1000 Gal./ 1174 nominal
 Weight..... 3325 Lbs.

Material Specifications

Heads..... Carbon Steel
 Shell..... Carbon Steel
 Couplings..... Carbon Steel
 Flanges..... N/A
 Pipe..... N/A
 Manway..... Carbon Steel
 Jacket..... 24 Gauge Steel

Mark	Dimension	Remark
A	104"	Overall height
B	64"	Diameter
C	29"	Circulation



NOTES	
PROJECT	
CUSTOMER	
SCALE	Not to Scale
DATE	
CUSTOMER P.O. #	
DRAWING Rev NO.	